



US00D868613S

(12) **United States Design Patent** (10) **Patent No.:** **US D868,613 S**
Sumi (45) **Date of Patent:** **** Dec. 3, 2019**

(54) **WATCH DIAL**
(71) Applicant: **Cartier International AG**, Steinhausen (CH)
(72) Inventor: **Ai Sumi**, Le Sentier (CH)
(73) Assignee: **Cartier International AG**, Steinhausen (CH)
(**) Term: **15 Years**
(21) Appl. No.: **29/649,293**
(22) Filed: **May 29, 2018**

D759,526 S * 6/2016 Rabassa D10/122
D770,175 S * 11/2016 Michele D3/243
D787,360 S * 5/2017 Le Bail D11/11
D789,684 S * 6/2017 Michele D3/232
D791,619 S * 7/2017 Rabassa D10/30
D792,787 S * 7/2017 Rabassa D10/30
D793,276 S * 8/2017 Le Bail D11/27
D798,046 S * 9/2017 Michele D3/232
D809,415 S * 2/2018 Fillon D11/26
D812,511 S * 3/2018 Sallard D11/42
D813,080 S * 3/2018 Sallard D11/42
D813,704 S * 3/2018 Sallard D11/4
D826,772 S * 8/2018 Yuson D11/201
D828,204 S * 9/2018 Rabassa D10/126
D829,570 S * 10/2018 Rabassa D10/34
D834,438 S * 11/2018 Rabassa D10/126

* cited by examiner

(30) **Foreign Application Priority Data**
Nov. 30, 2017 (WO) DM/099082
(51) **LOC (12) Cl.** **10-07**
(52) **U.S. Cl.**
USPC **D10/126**
(58) **Field of Classification Search**
USPC D10/1-3, 30-39, 122-129, 131-132;
D8/330-331, 333-335
See application file for complete search history.

Primary Examiner — Sandra S Snapp
Assistant Examiner — Katherine Glennon
(74) *Attorney, Agent, or Firm* — Taft Stettinius & Hollister LLP

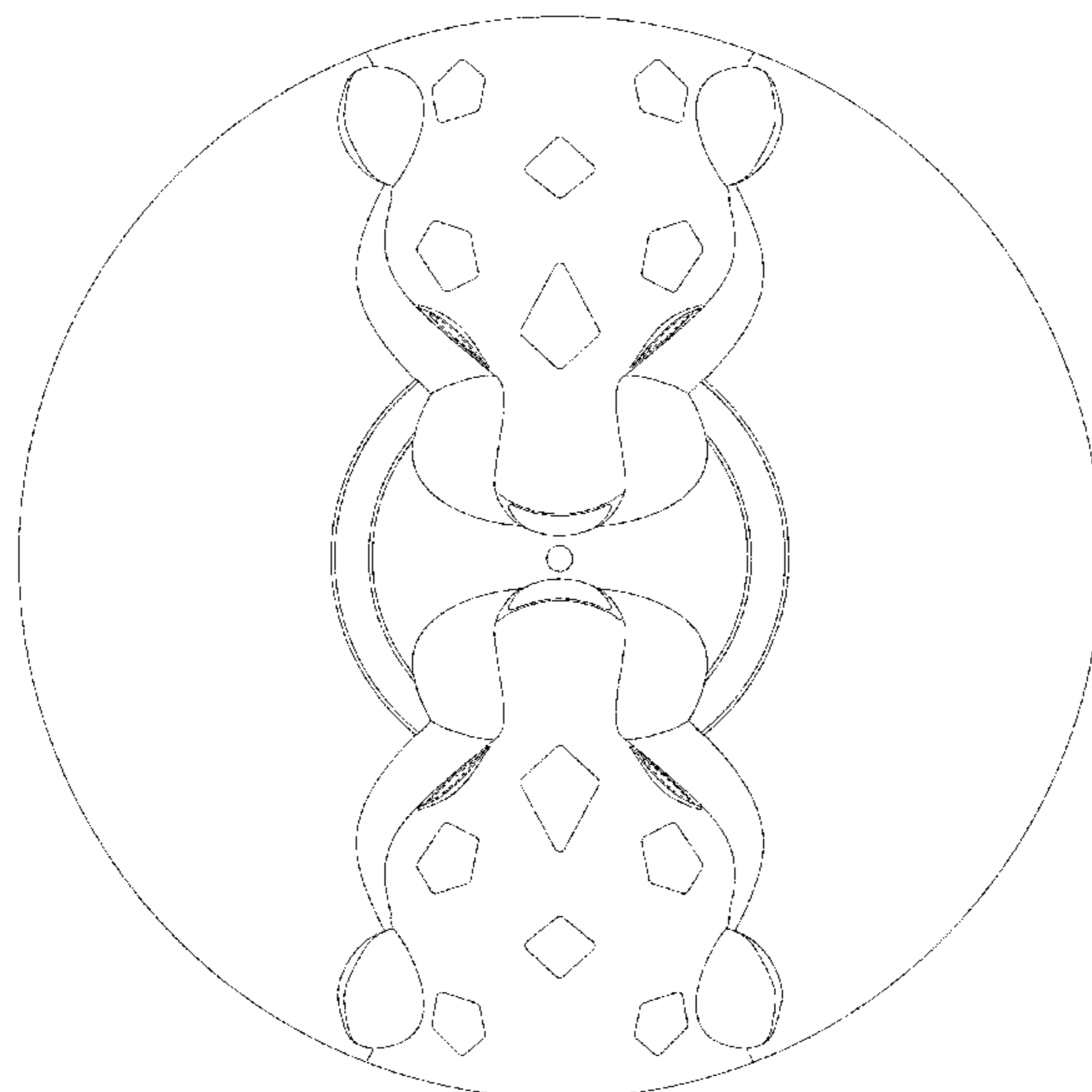
(56) **References Cited**
U.S. PATENT DOCUMENTS
D311,157 S * 10/1990 Boivin D11/202
D318,417 S * 7/1991 Savage D9/607
D475,944 S * 6/2003 Jordan D11/52
D536,633 S * 2/2007 Arlanda D11/30
D612,282 S * 3/2010 Iacomucci D11/4
D612,284 S * 3/2010 Iacomucci D11/31
D680,024 S * 4/2013 Le Bail D11/49
D692,343 S * 10/2013 Hardy D11/82
D753,511 S * 4/2016 Rigoulet D10/34
D758,892 S * 6/2016 Rabassa D10/34
D759,506 S * 6/2016 Rabassa D10/122

(57) **CLAIM**
The ornamental design for a watch dial, as shown and described.

DESCRIPTION

FIG. 1 is a front elevational view of a watch dial showing my new design;
FIG. 2 is a back elevational view thereof;
FIG. 3 is a right side elevational view thereof;
FIG. 4 is a left side elevational view thereof;
FIG. 5 is a bottom plan view thereof;
FIG. 6 is a top plan view thereof;
FIG. 7 is a front, right side perspective view thereof; and,
FIG. 8 is a back, left side perspective view thereof.
The broken lines in the drawing figures depict unclaimed subject matter that forms no part of the claimed design.

1 Claim, 8 Drawing Sheets



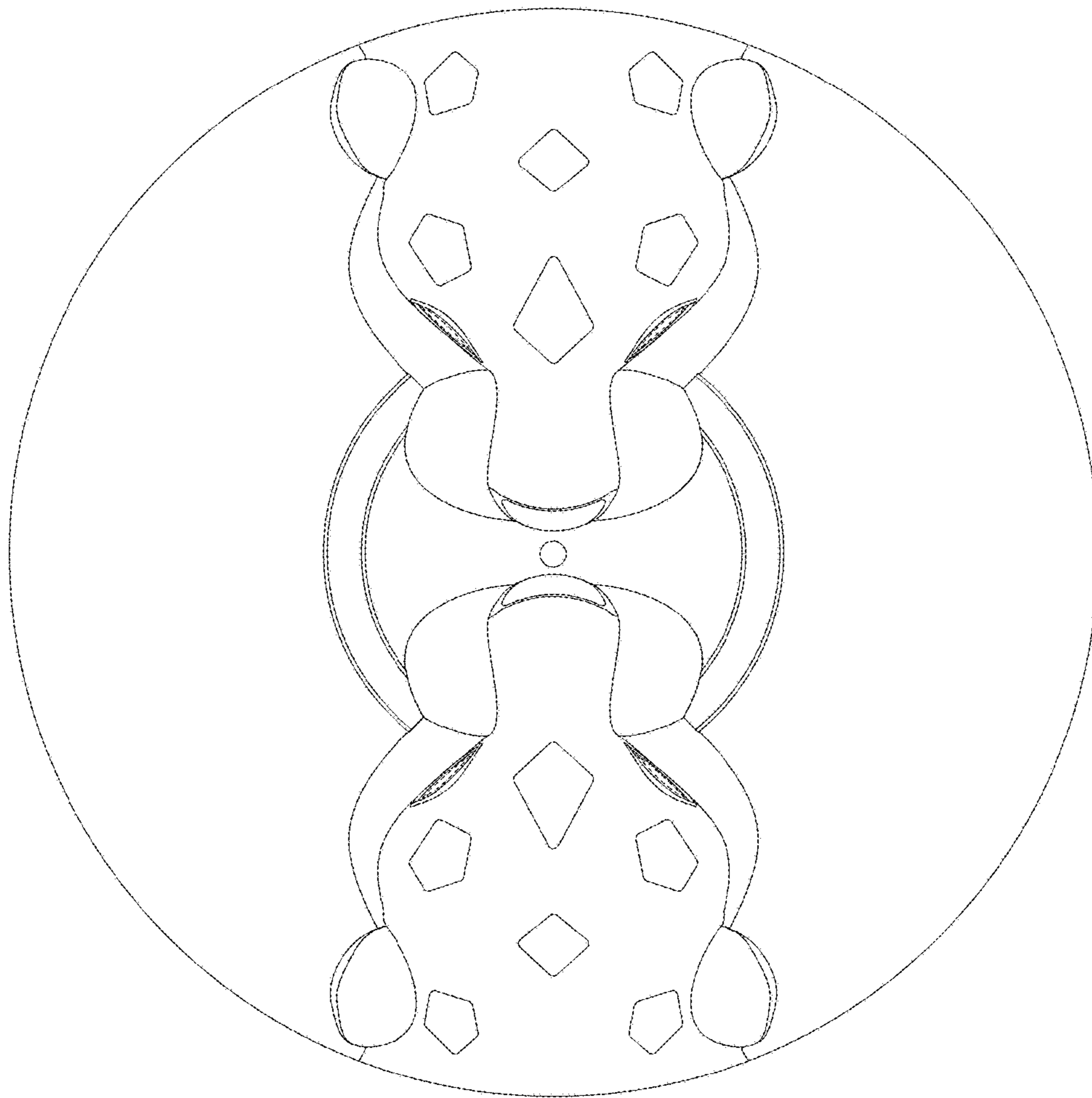


Fig. 1

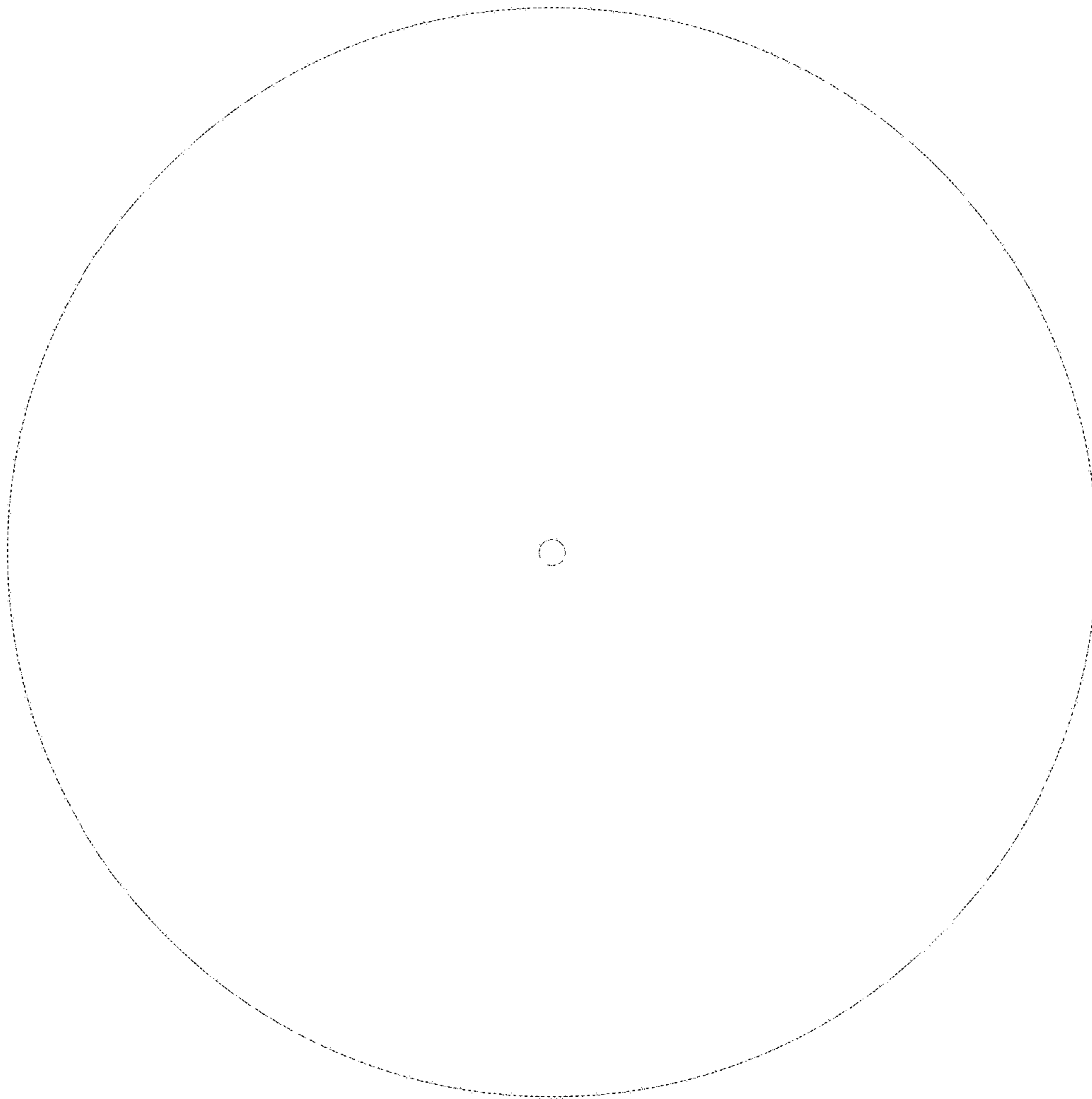


Fig. 2

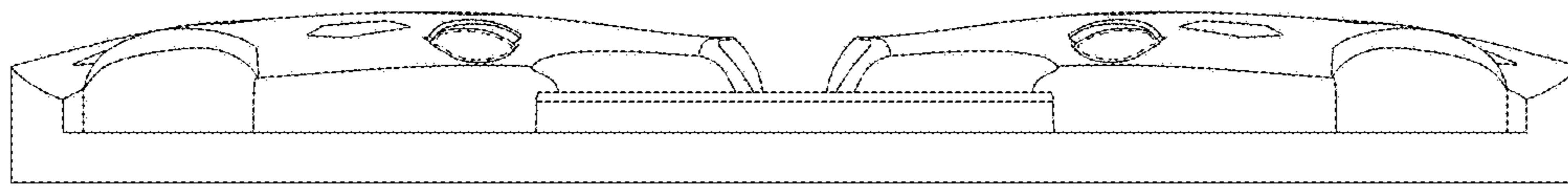


Fig. 3

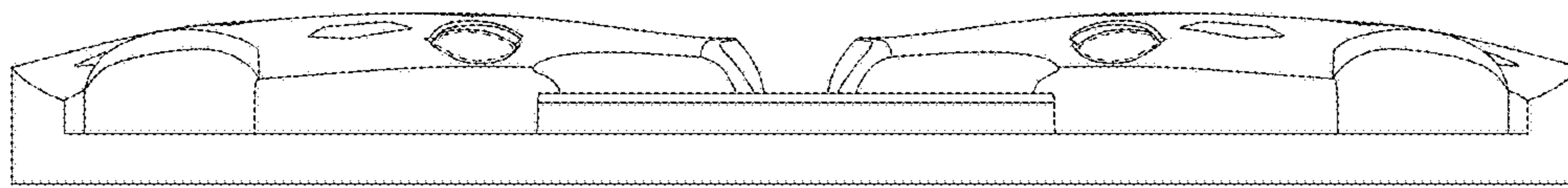


Fig. 4

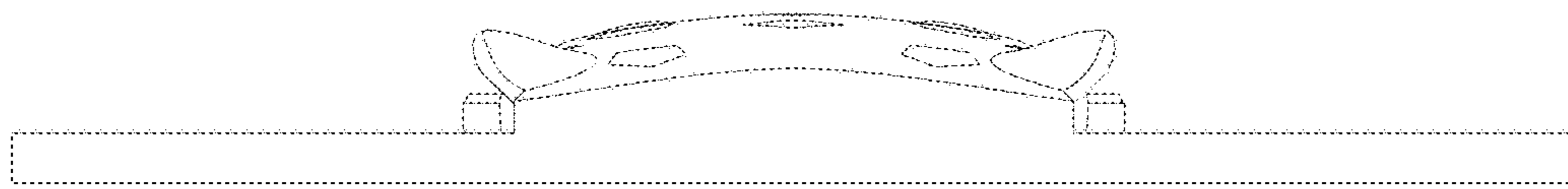


Fig. 5

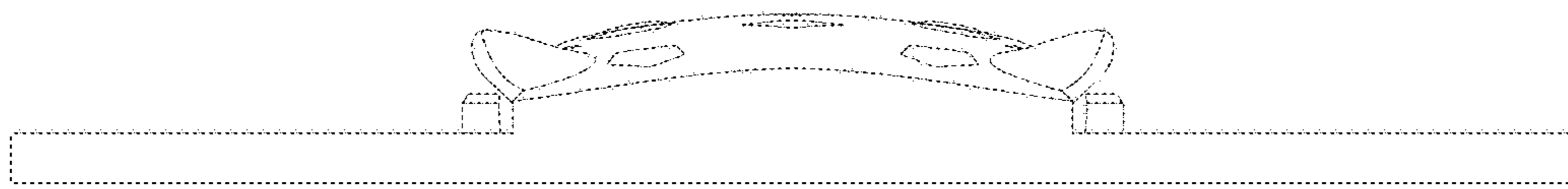


Fig. 6

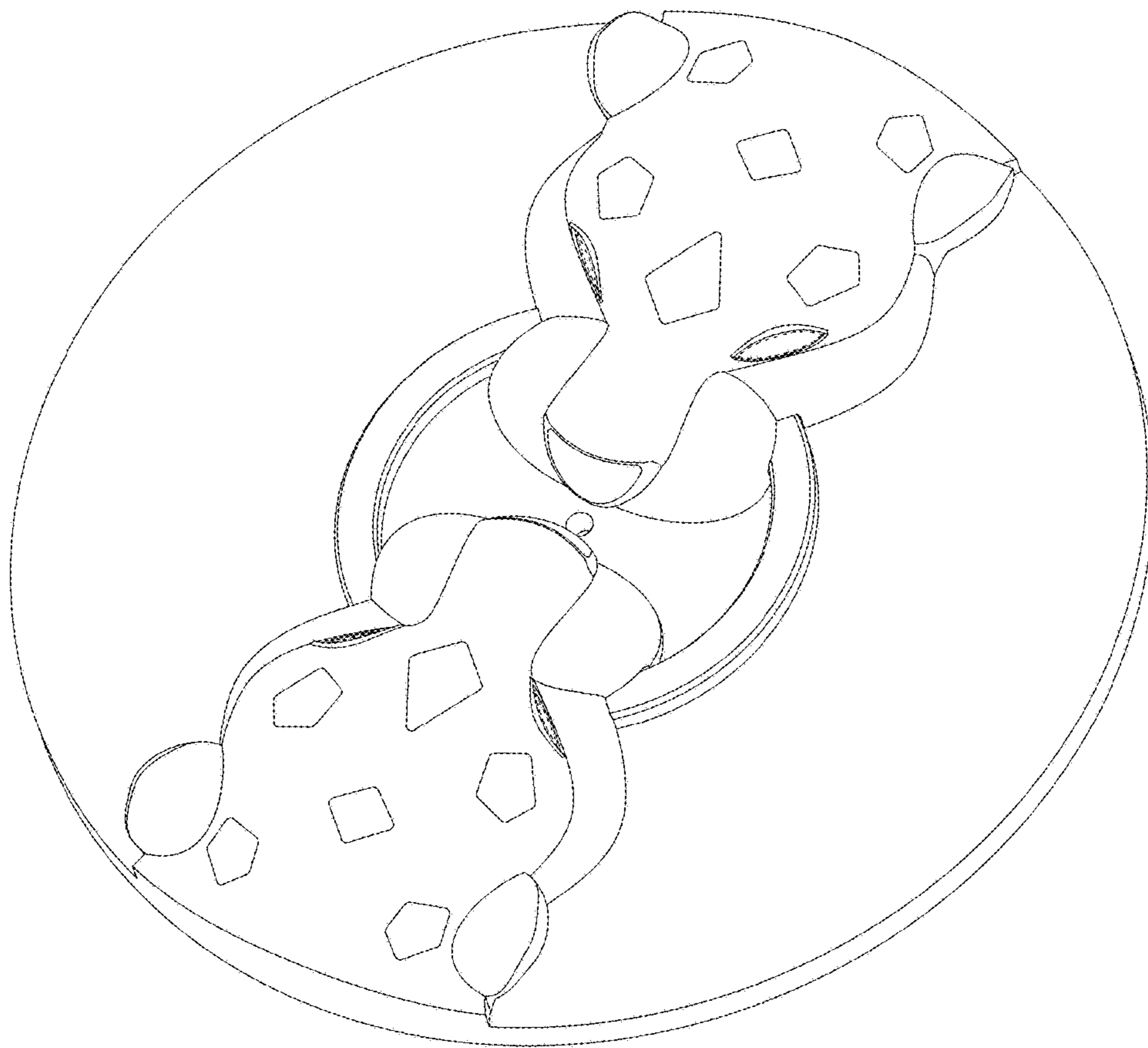


Fig. 7

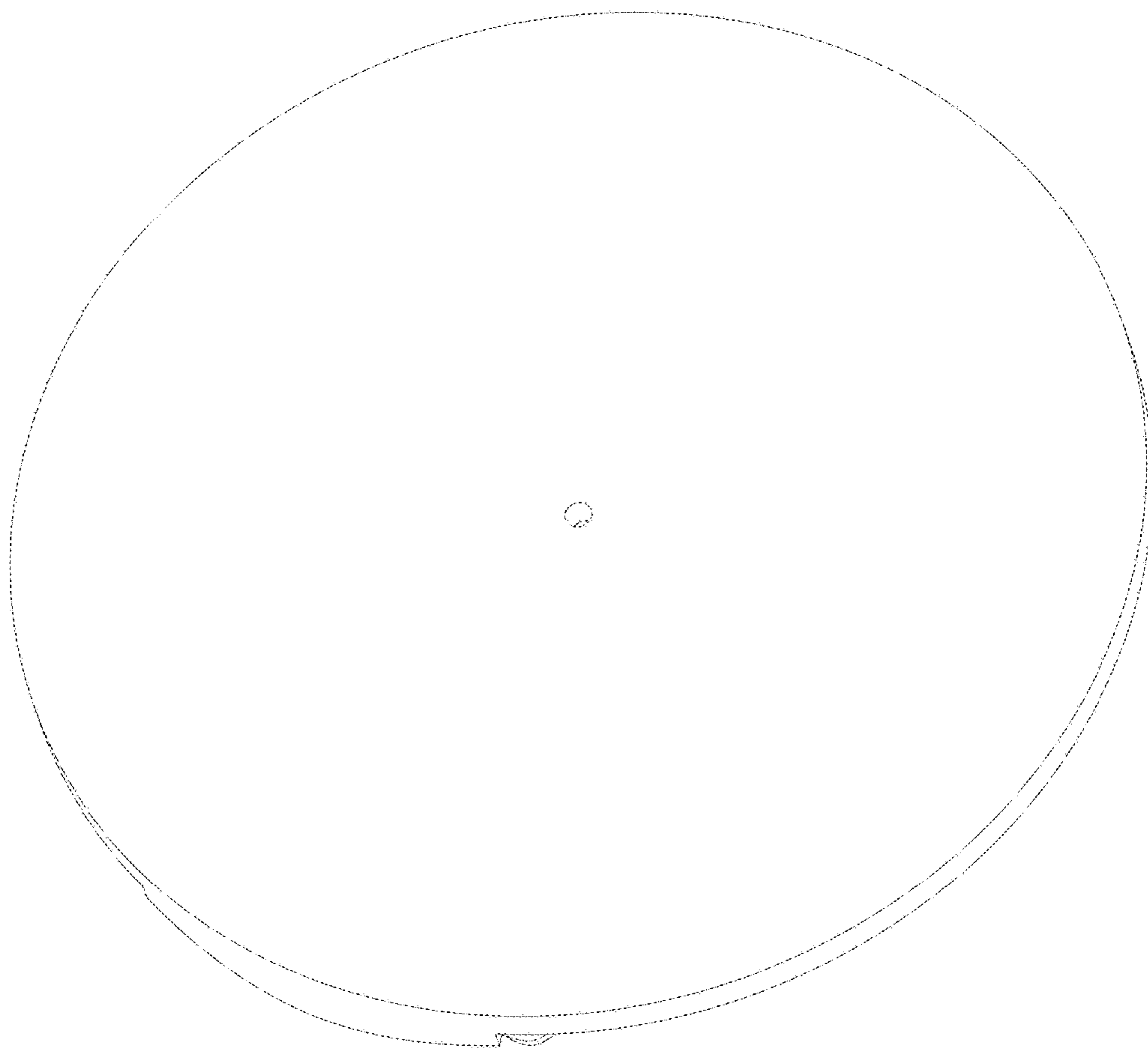


Fig. 8