



US00D868612S

(12) **United States Design Patent** (10) **Patent No.:** **US D868,612 S**
Ahman et al. (45) **Date of Patent:** **** Dec. 3, 2019**

(54) **CAMERA EQUIPPED NETWORK DOOR STATION**

D787,359 S * 5/2017 Scalisi D10/118.2
D789,820 S * 6/2017 Siminoff D10/118.2
D793,268 S * 8/2017 Ye D10/118.2
D798,177 S * 9/2017 Siminoff D10/118.2
D813,700 S * 3/2018 Scalisi D10/118.2

(71) Applicant: **AXIS AB**, Lund (SE)

(Continued)

(72) Inventors: **Daniel Ahman**, Lomma (SE); **Mathias Walter**, Arlov (SE); **Morten Bergstrom**, Lund (SE); **Jonas Sjogren**, Lund (SE); **Charlotte Gunsjo**, Lund (SE)

FOREIGN PATENT DOCUMENTS

EM 002708909-0001 5/2015
TW D170846 10/2015

(73) Assignee: **AXIS AB**, Lund (SE)

OTHER PUBLICATIONS

(**) Term: **15 Years**

DNAKE Xingtel Security Xiamen Co., Ltd., 700C7 outdoor station with poe feature-sip video door phone, <http://xingtelsecurity.en.alibaba.com/product/1508633551-801226108/700C7>.

(21) Appl. No.: **29/654,603**

(Continued)

(22) Filed: **Jun. 26, 2018**

Related U.S. Application Data

Primary Examiner — George D. Kirschbaum

(62) Division of application No. 29/575,330, filed on Aug. 24, 2016, now Pat. No. Des. 828,200.

Assistant Examiner — Joseph J Kukella

(74) *Attorney, Agent, or Firm* — Volpe and Koenig, P.C.

(30) **Foreign Application Priority Data**

Feb. 26, 2016 (EM) 003003789

(51) **LOC (12) Cl.** **10-05**

(52) **U.S. Cl.**
USPC **D10/118.2**

(58) **Field of Classification Search**
USPC D10/104.1, 108, 116.1, 118, 118.2,
D10/121-126; D16/202, 203, 208, 209,
D16/215; D8/350, 353
CPC ... G08B 3/00; G08B 3/10; G08B 7/00; G08B
7/06; G08B 13/1436; G08B 13/1463;
G08B 13/1481

See application file for complete search history.

(56) **References Cited**

U.S. PATENT DOCUMENTS

D764,958 S * 8/2016 Scalisi D10/118.2
D765,530 S * 9/2016 Scalisi D10/118.2

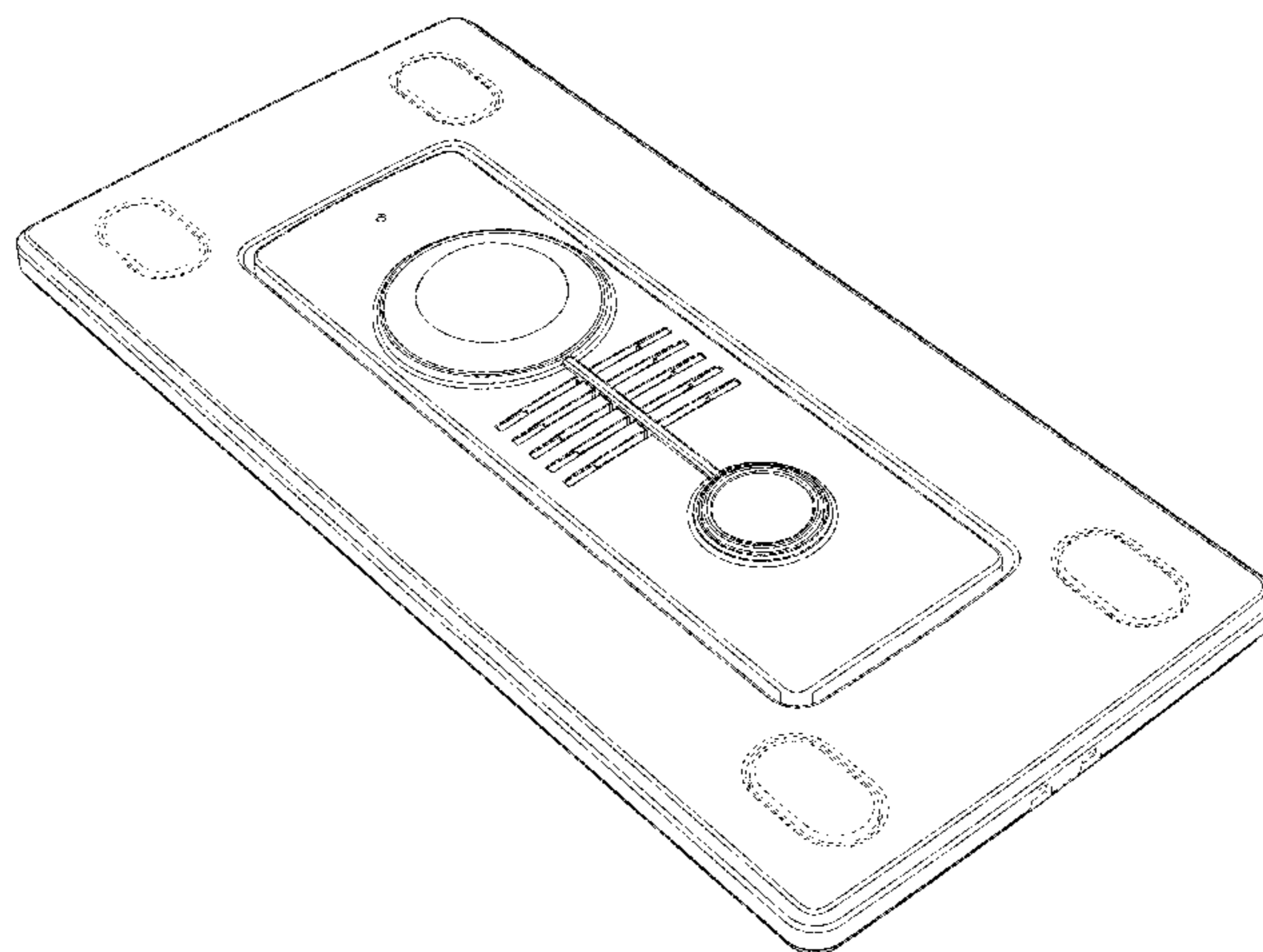
(57) **CLAIM**

The ornamental design for a camera equipped network door station, as shown and described.

DESCRIPTION

FIG. 1 is a perspective view of a camera equipped network door station showing our new design;
FIG. 2 is a front elevational view thereof;
FIG. 3 is a right side view thereof;
FIG. 4 is a left side view thereof;
FIG. 5 is a rear elevational view thereof;
FIG. 6 is a top plan view thereof; and,
FIG. 7 is a bottom plan view thereof.
Portions of the camera equipped network door station shown in broken lines form no part of the claimed design.

1 Claim, 5 Drawing Sheets



(56)

References Cited

U.S. PATENT DOCUMENTS

D817,207 S * 5/2018 Scalisi D10/118.2
D828,200 S * 9/2018 Ahman D10/118.2
D858,338 S * 9/2019 Yu D10/118.2

OTHER PUBLICATIONS

JP Series: Video Intercom with 7-inch Touchscreen, <http://www.aiphone.com/home/products/jp-series/>.

Axis Communication, Press Release Axis announces its first video door station for identification and entry management, Axis A8004-VE Network Video Door Station, Apr. 23, 2015, Lund.

SSS Siedle Modular door Station/for video intercoms/ outdoor VARIO SSS SIEDLE, The Online Architecture and Design Exhibition, <http://www.archiexpo.com/prod/sss-siedle/modular-door-stations-video-intercoms>.

Aiphone JKS-1AD Audio/Video Single-Door Intercom Set, Includes Master S Power Supply and Surface-Mount Door Station.

* cited by examiner

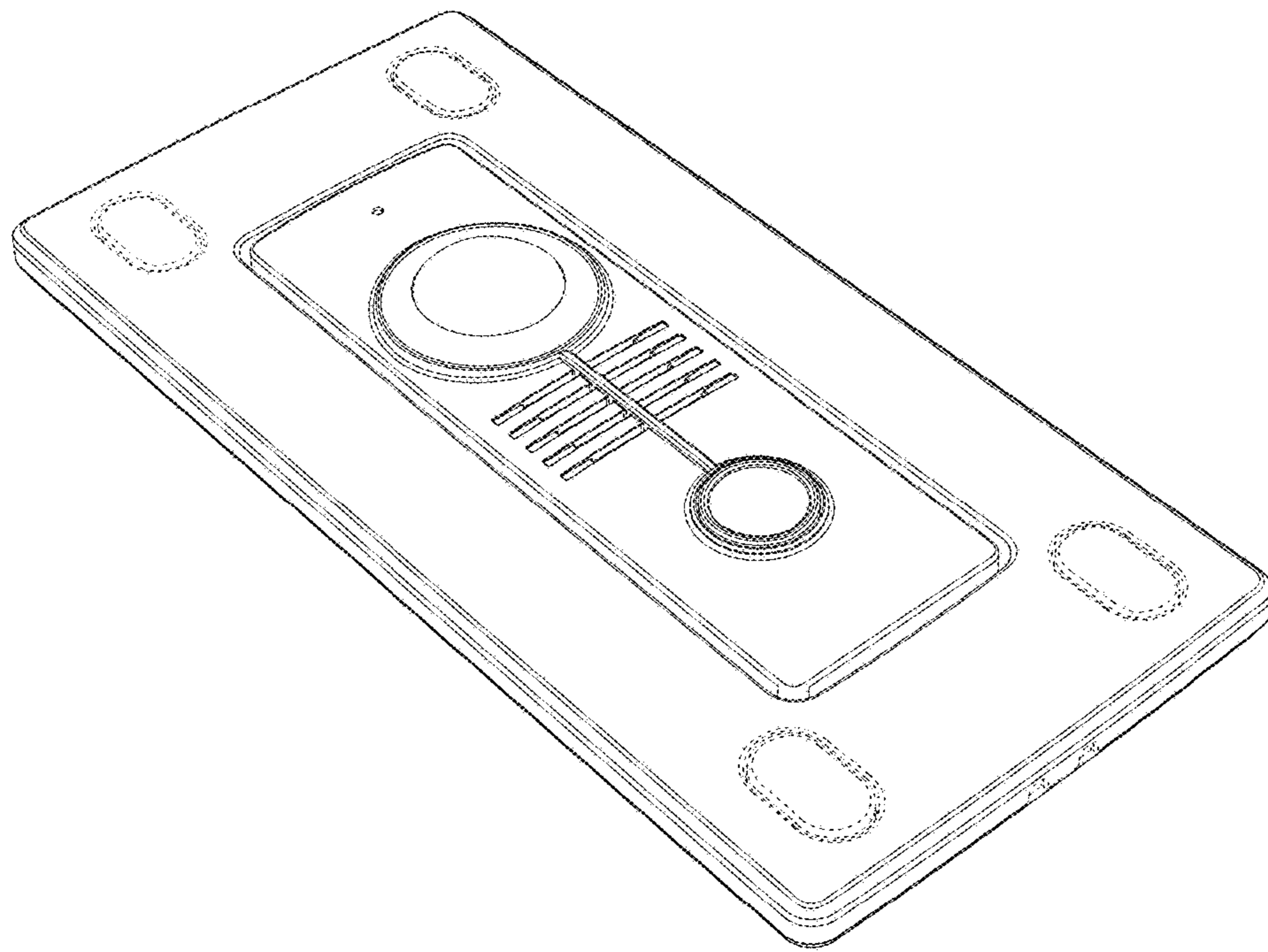


Figure 1

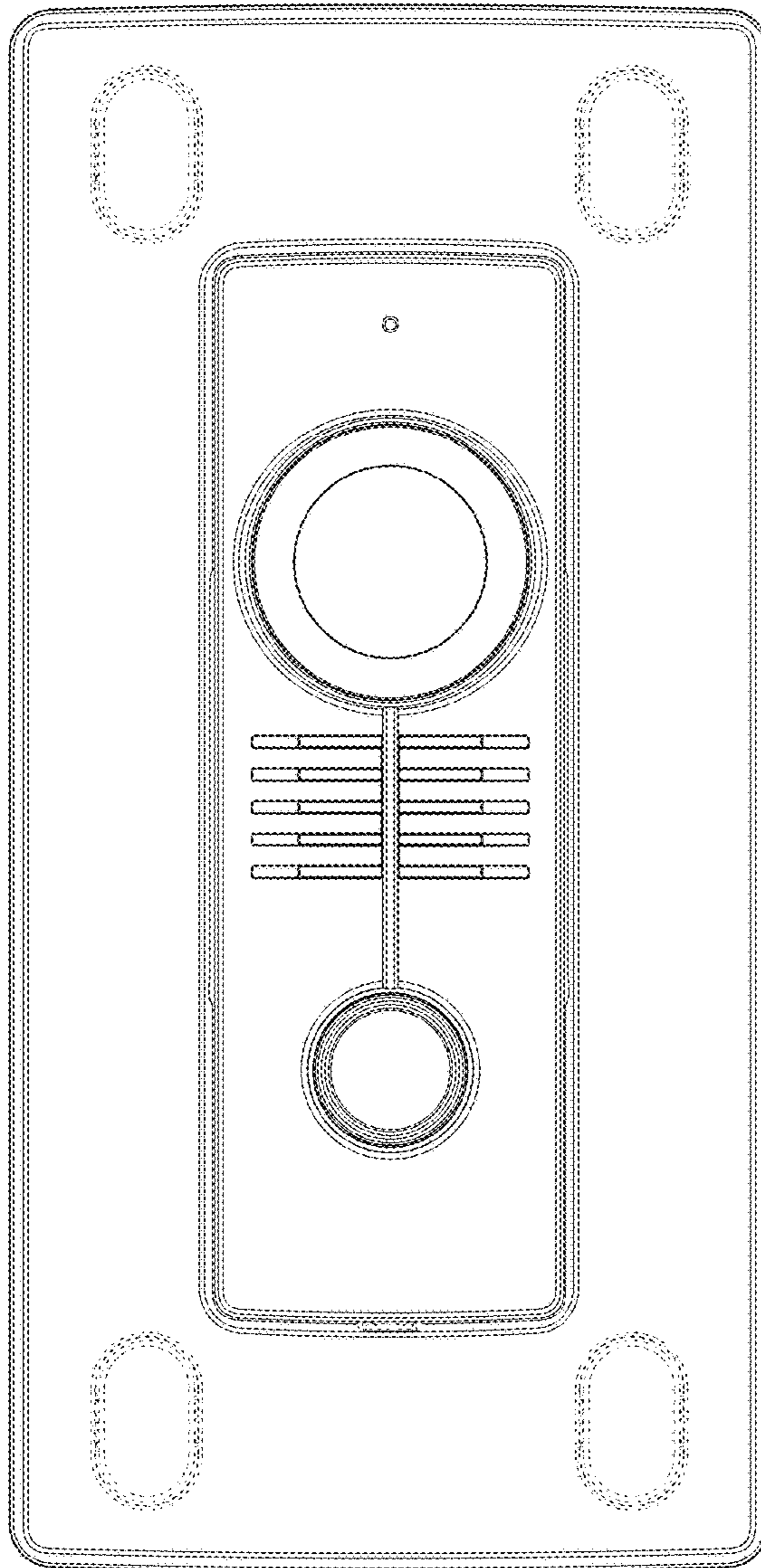


Figure 2

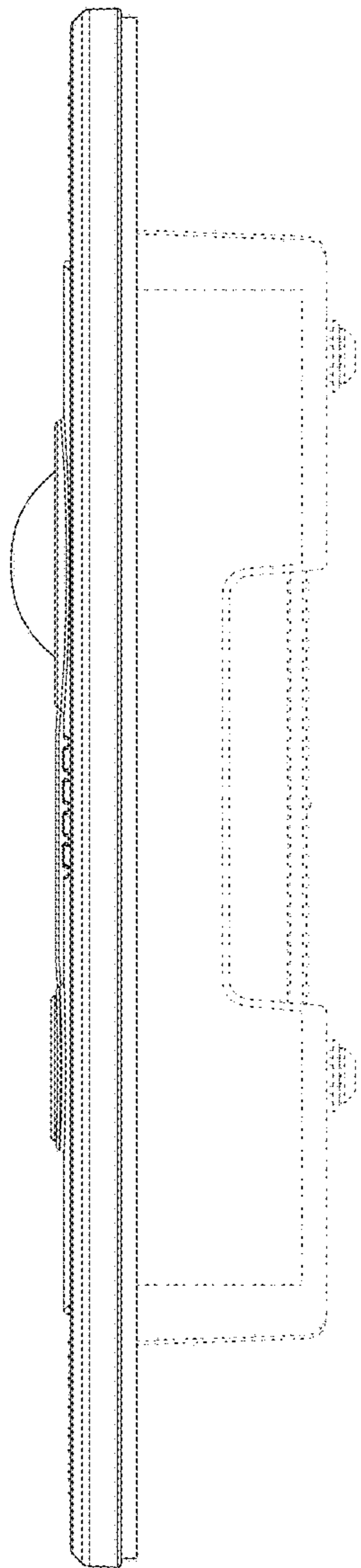


Figure 3

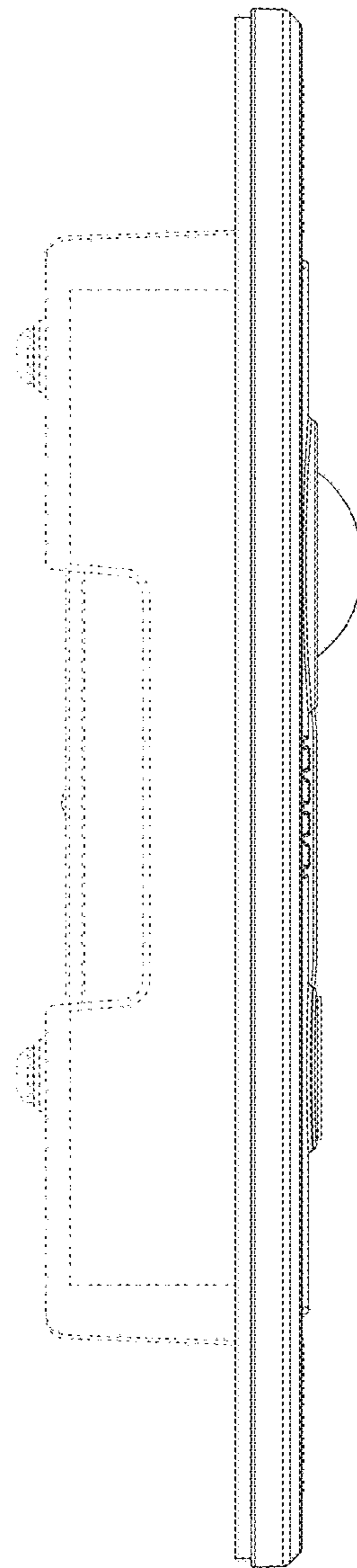


Figure 4

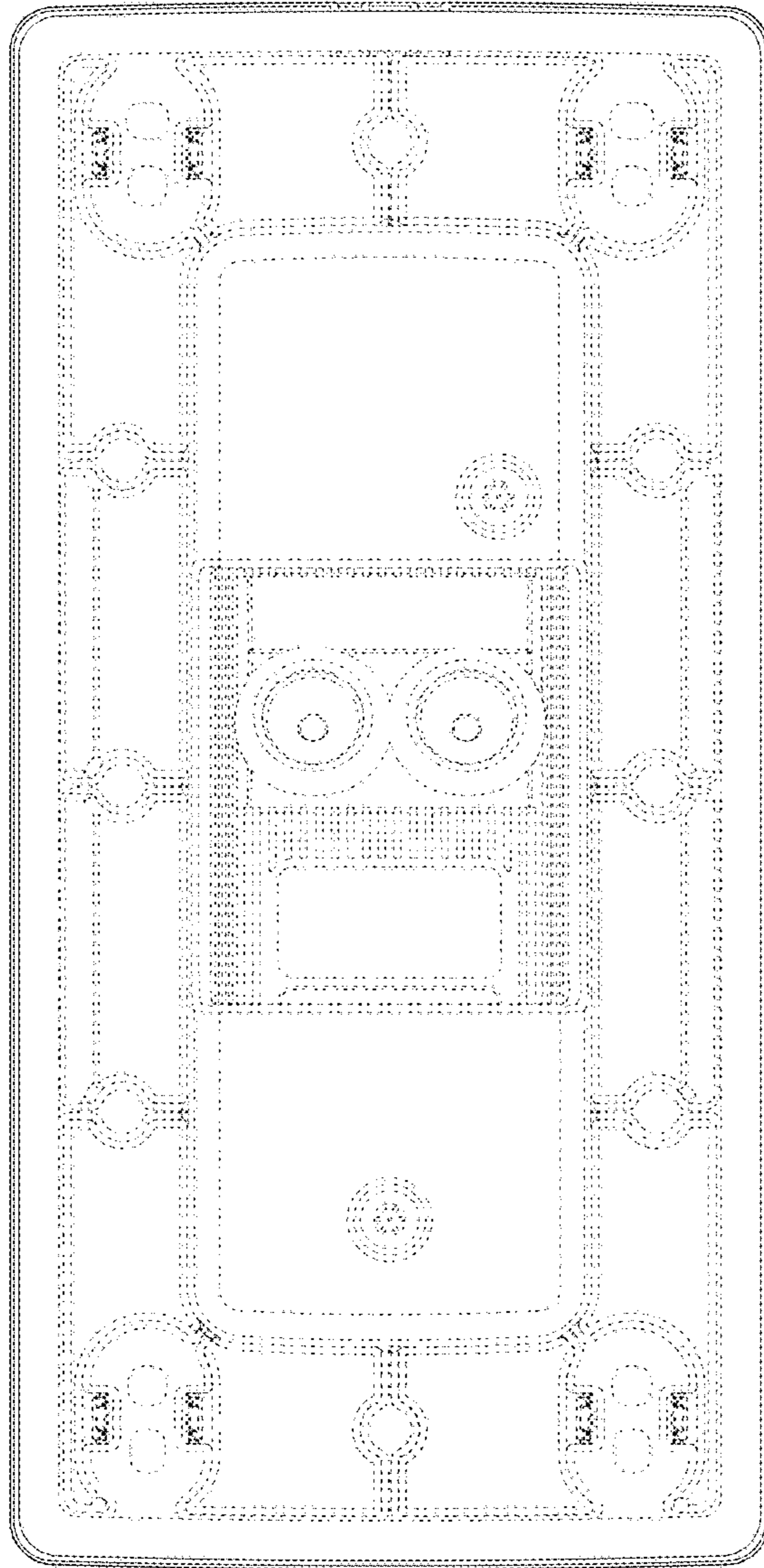


Figure 5

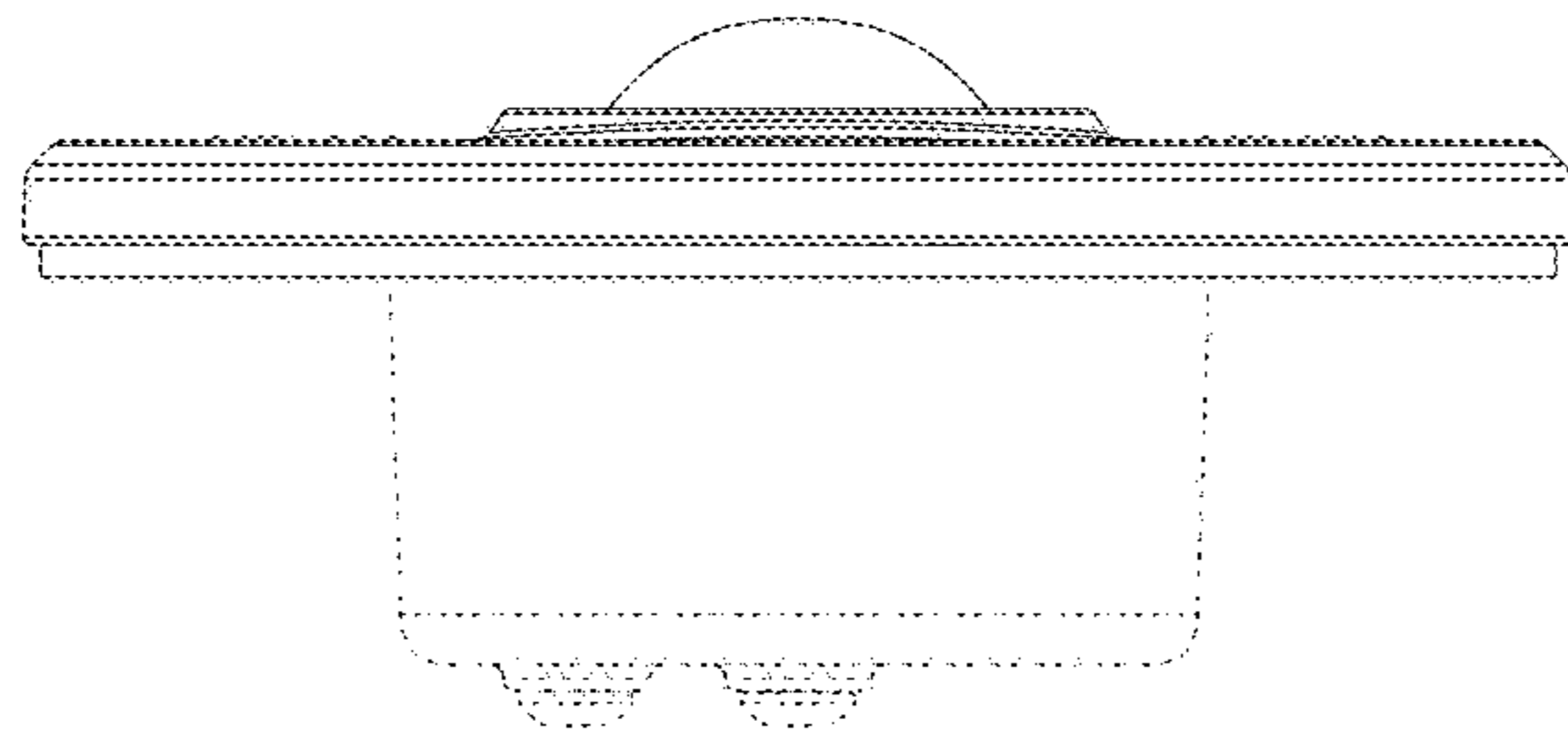


Figure 6

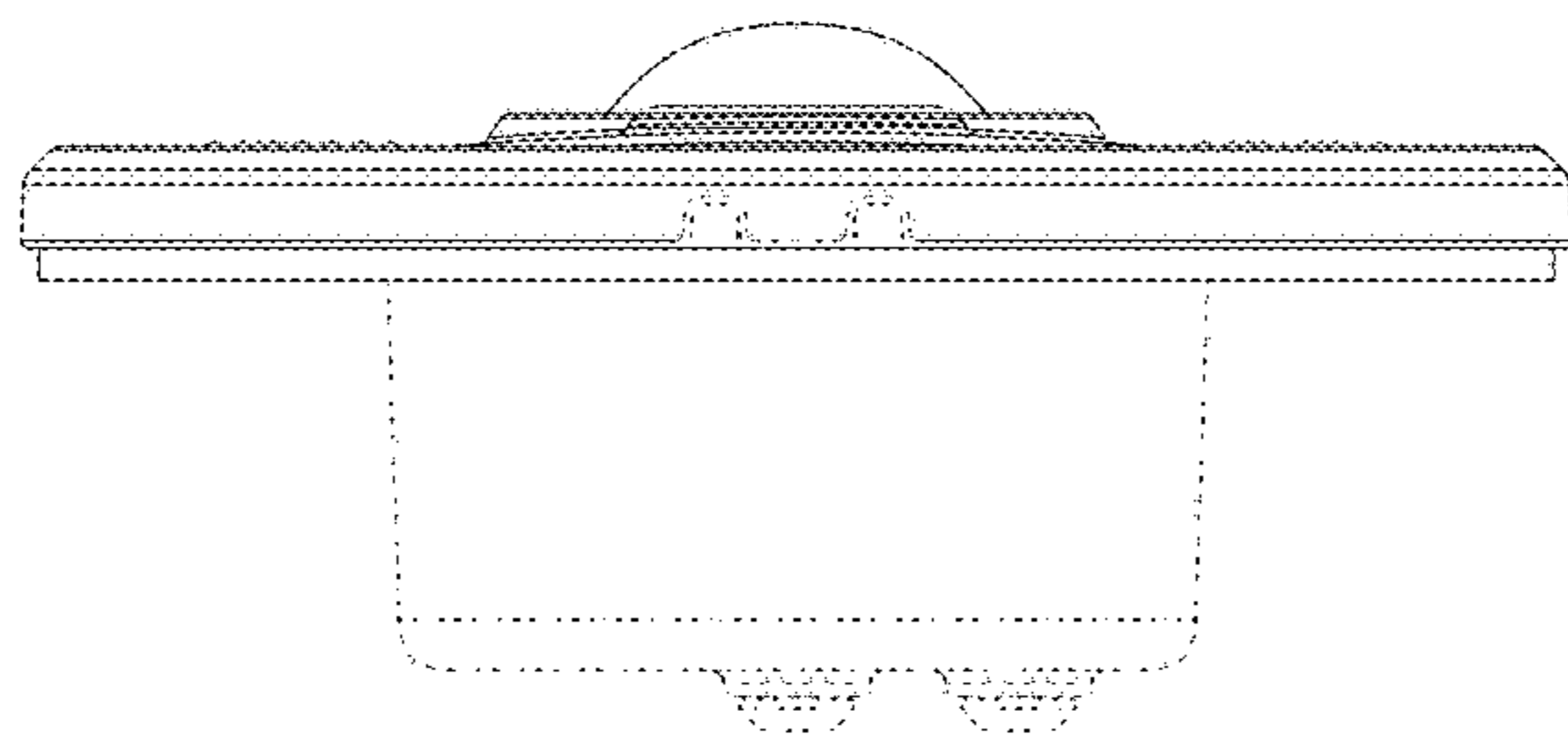


Figure 7