



US00D868608S

(12) **United States Design Patent**
Ou

(10) **Patent No.:** **US D868,608 S**

(45) **Date of Patent:** **** Dec. 3, 2019**

(54) **GAS AND CARBON MONOXIDE DETECTOR**

D297,222 S * 8/1988 Rauch D10/106.5
D422,521 S * 4/2000 Morrow D10/106.5

(71) Applicant: **Qin Ou**, Guangdong (CN)

* cited by examiner

(72) Inventor: **Qin Ou**, Guangdong (CN)

Primary Examiner — Antoine Duval Davis

(**) Term: **15 Years**

(21) Appl. No.: **29/601,503**

(57) **CLAIM**

(22) Filed: **Apr. 23, 2017**

The ornamental design for gas and carbon monoxide detector, as shown and described.

(51) **LOC (12) Cl.** **10-05**

(52) **U.S. Cl.**
USPC **D10/106.6**

(58) **Field of Classification Search**
USPC D10/106.1, 106.5, 106.6
CPC G01N 33/004; G08B 3/10; G08B 25/10;
G08B 17/10; G08B 21/16; G08B 21/14;
G08B 29/145; G08B 29/183; G08B
17/113
See application file for complete search history.

DESCRIPTION

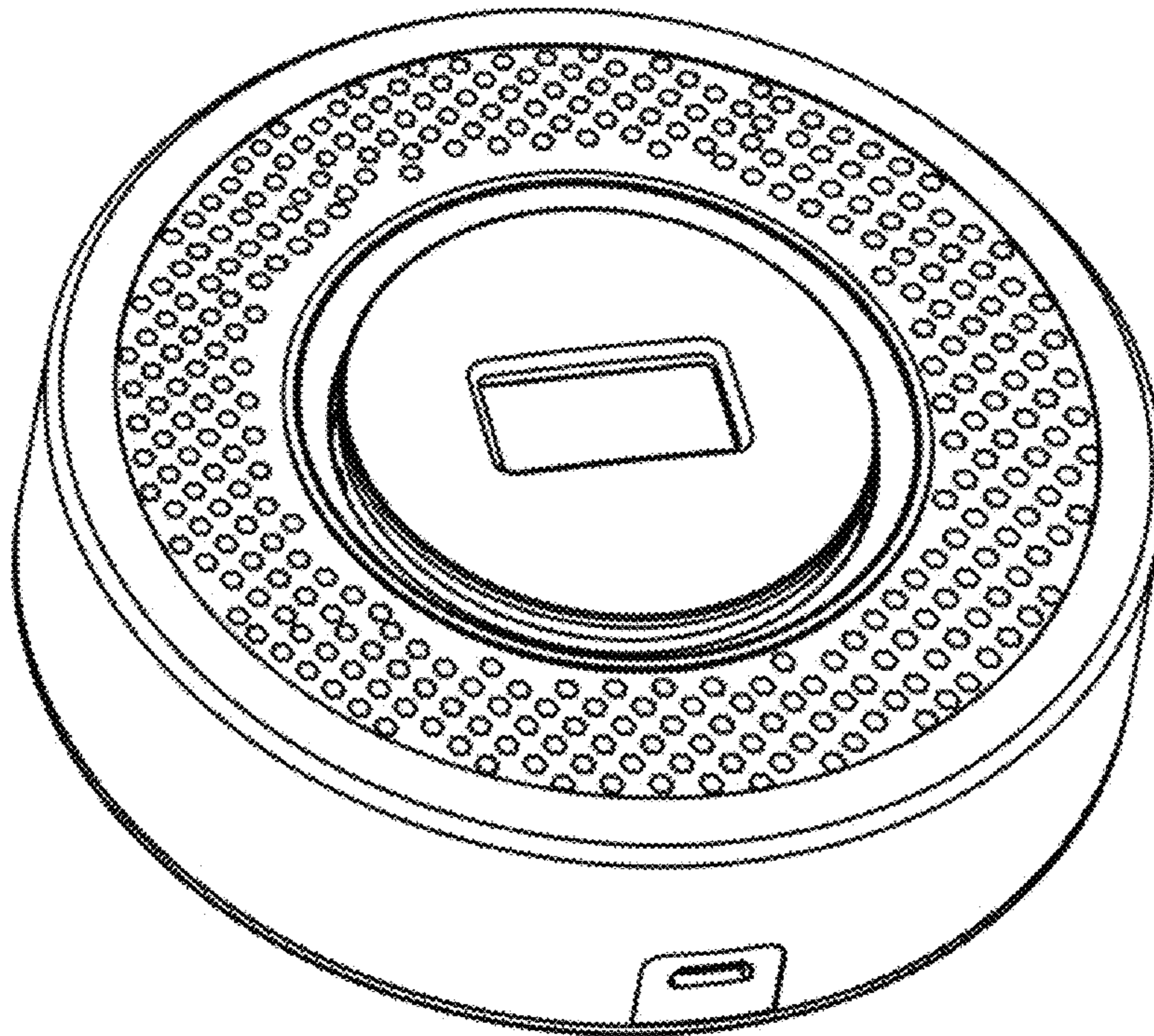
FIG. 1 is a perspective view of gas and carbon monoxide detector showing my new design;
FIG. 2 is a front elevational view thereof;
FIG. 3 is a rear elevational view thereof;
FIG. 4 is a left side elevational view thereof;
FIG. 5 is a right side elevational view thereof;
FIG. 6 is a top plan view thereof; and,
FIG. 7 is a bottom plan view thereof.

(56) **References Cited**

U.S. PATENT DOCUMENTS

D297,219 S * 8/1988 Taylor D10/106.5

1 Claim, 7 Drawing Sheets



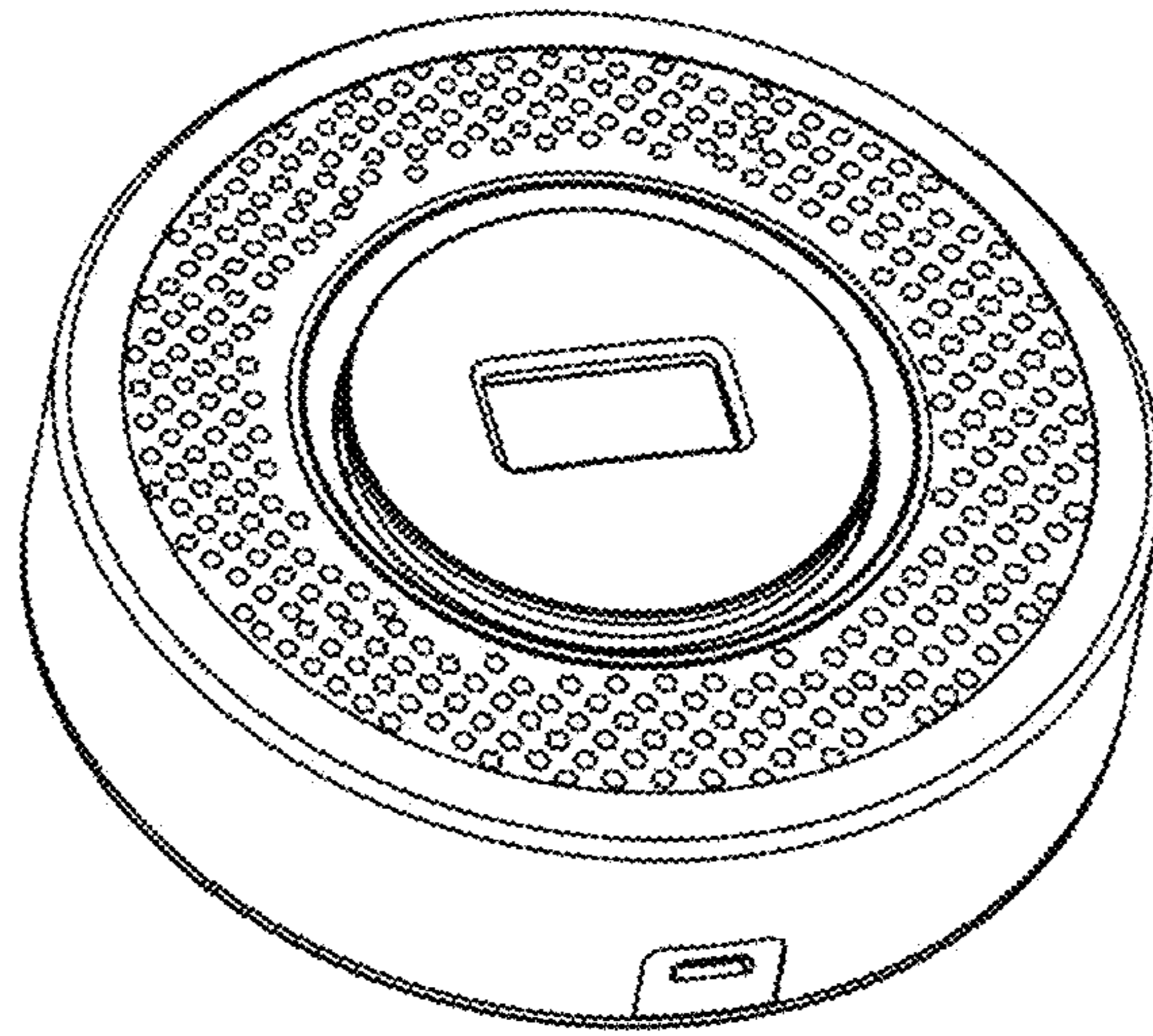


FIG.1

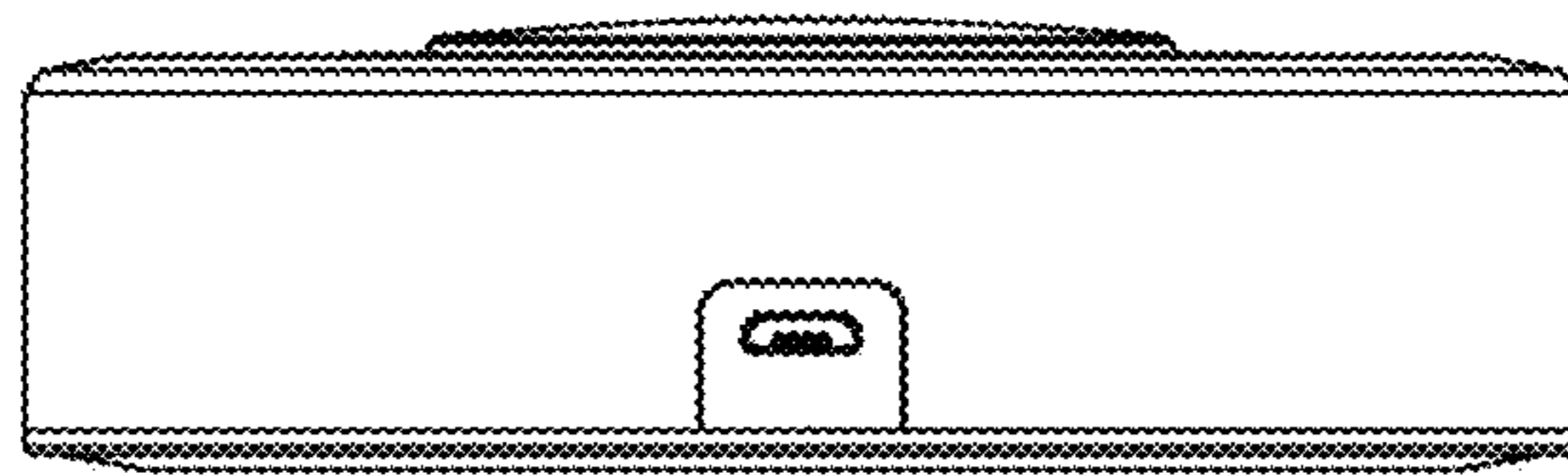


FIG.2

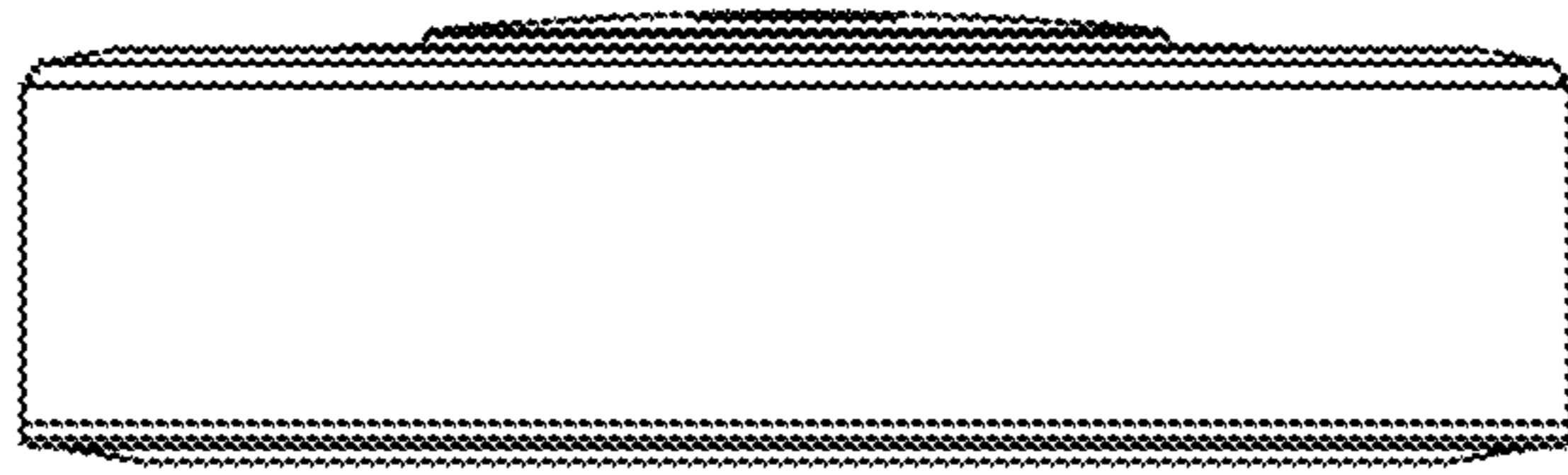


FIG.3

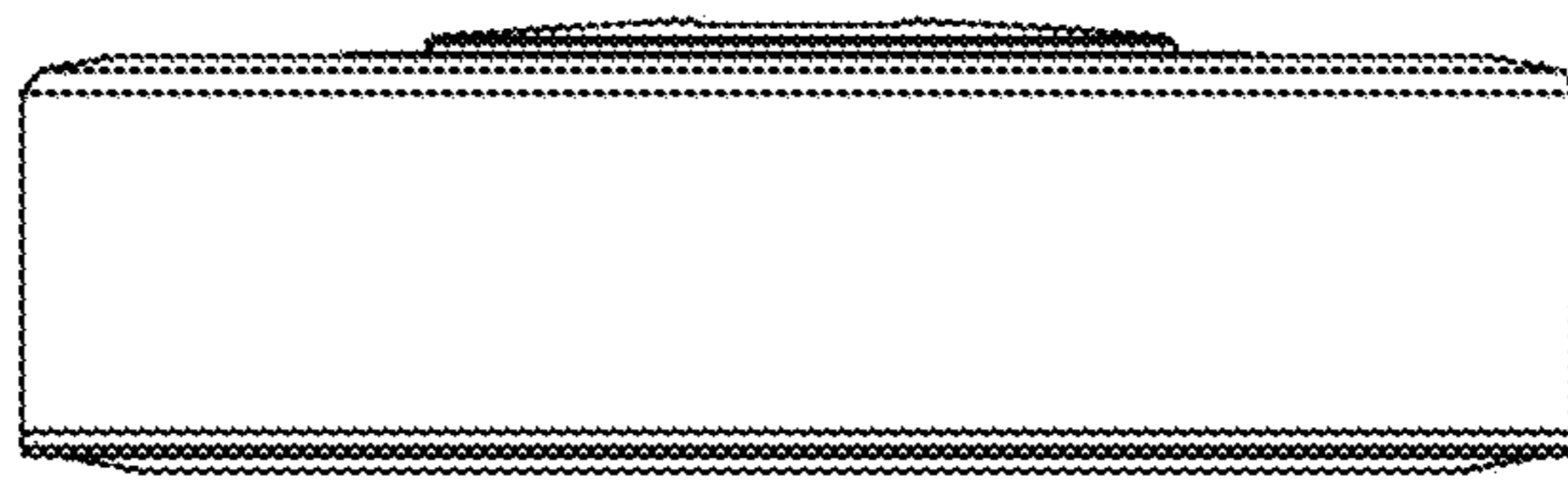


FIG.4

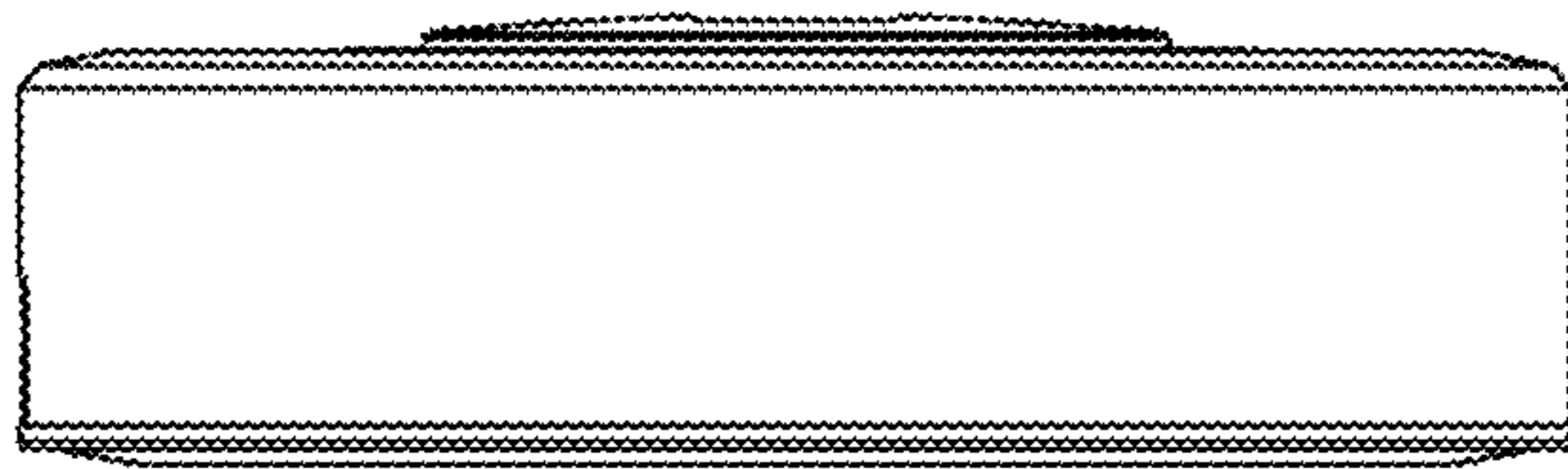


FIG.5

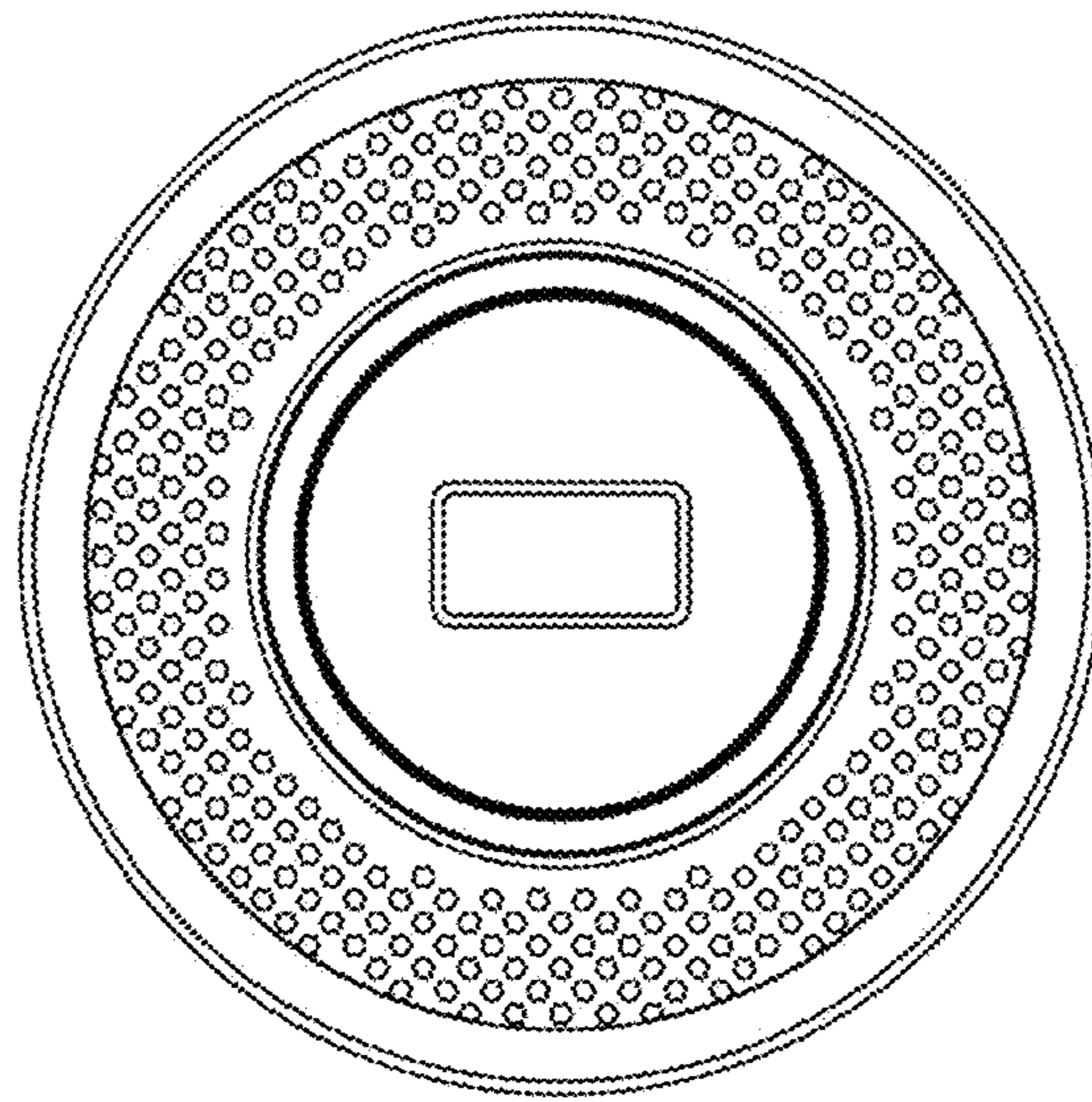


FIG.6

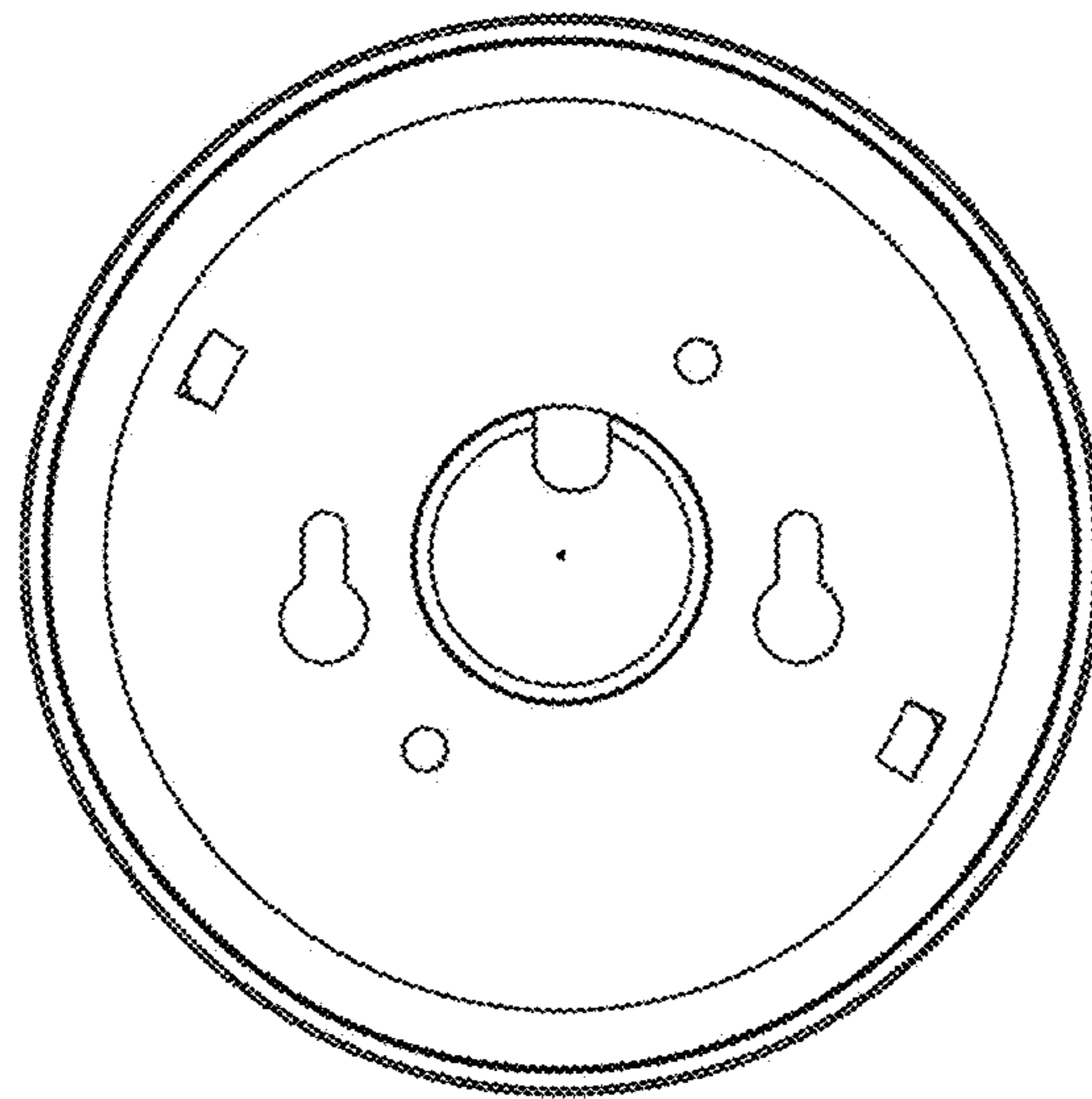


FIG. 7