



US00D868607S

(12) **United States Design Patent** (10) **Patent No.:** **US D868,607 S**  
**Li** (45) **Date of Patent:** **\*\* Dec. 3, 2019**

(54) **KEY FINDER**

(71) Applicant: **Jiahao Li**, Shenzhen (CN)

(72) Inventor: **Jiahao Li**, Shenzhen (CN)

(\*\*) Term: **15 Years**

(21) Appl. No.: **29/672,580**

(22) Filed: **Dec. 6, 2018**

(51) **LOC (12) Cl.** ..... **10-05**

(52) **U.S. Cl.**  
USPC ..... **D10/104.1**; D14/191; D14/218;  
D13/168

(58) **Field of Classification Search**  
USPC ..... D14/135, 137, 139, 155, 157, 188, 191,  
D14/197, 198, 299, 217, 218; D10/104.1,  
D10/104.2; D13/168  
CPC .... G05D 23/1905; G08B 3/00; G08B 3/1008;  
G08B 3/1025; G08B 3/1058; H04B 1/02;  
H04B 1/04; H04B 1/40; H04B 1/0458;  
H04B 1/0475; H04H 20/38; H04H 40/27;  
H04H 60/37; H04H 60/64; H04H 60/73;  
H04L 12/1813; H04L 12/1822; H04L  
67/125; H04M 11/022; H04N 7/147;  
H05K 5/00; H04W 12/02

See application file for complete search history.

(56) **References Cited**

**U.S. PATENT DOCUMENTS**

D363,718 S \* 10/1995 Hedeem ..... D14/187  
D375,057 S \* 10/1996 Heun ..... D10/104.1  
D375,696 S \* 11/1996 Seki ..... D10/104.1  
D415,704 S \* 10/1999 Carroll ..... D10/104.1  
D514,527 S \* 2/2006 DiPasquale ..... D13/168  
D515,954 S \* 2/2006 Crosby ..... D10/104.1  
D528,512 S \* 9/2006 Li ..... D13/168

D569,289 S \* 5/2008 Bender ..... D10/104.1  
D577,302 S \* 9/2008 Bender ..... D10/104.1  
D599,323 S \* 9/2009 Petersen ..... D14/191  
D670,255 S \* 11/2012 Clark ..... D13/168  
D708,974 S \* 7/2014 Dauwalter, III ..... D10/104.1  
D822,643 S \* 7/2018 Chen ..... D14/218

**OTHER PUBLICATIONS**

Acelken [Amazon]; "Key and Wallet Finder Locator"; 'https://www.amazon.com/Receivers-Transmitter-ACElken-Wireless-Keychain/dp/B07TXQC6M9/ref=pd\_rhf\_cr\_p\_img\_1?encoding=UTF8&psc=1&refRID=J054AJCTQFQDX2XGHJ8C2'; accessed Sep. 25, 2019; 5p. (Year: 2019).\*  
Slatton, J.P.; "Eivotor Key Finder (Review)"; 'https://www.amazon.com/EIVOTOR-Wireless-Transmitter-Receiver-Keychain/dp/B07CWV8YQ4/ref=cm\_cr\_arp\_d\_product\_top?ie=UTF8#CustomerImages'; dated Nov. 14, 2018; accessed Sep. 25, 2019; 3p. (Year: 2018).\*

\* cited by examiner

*Primary Examiner* — Keli L Hill  
(74) *Attorney, Agent, or Firm* — Erson IP (Nelson IP)

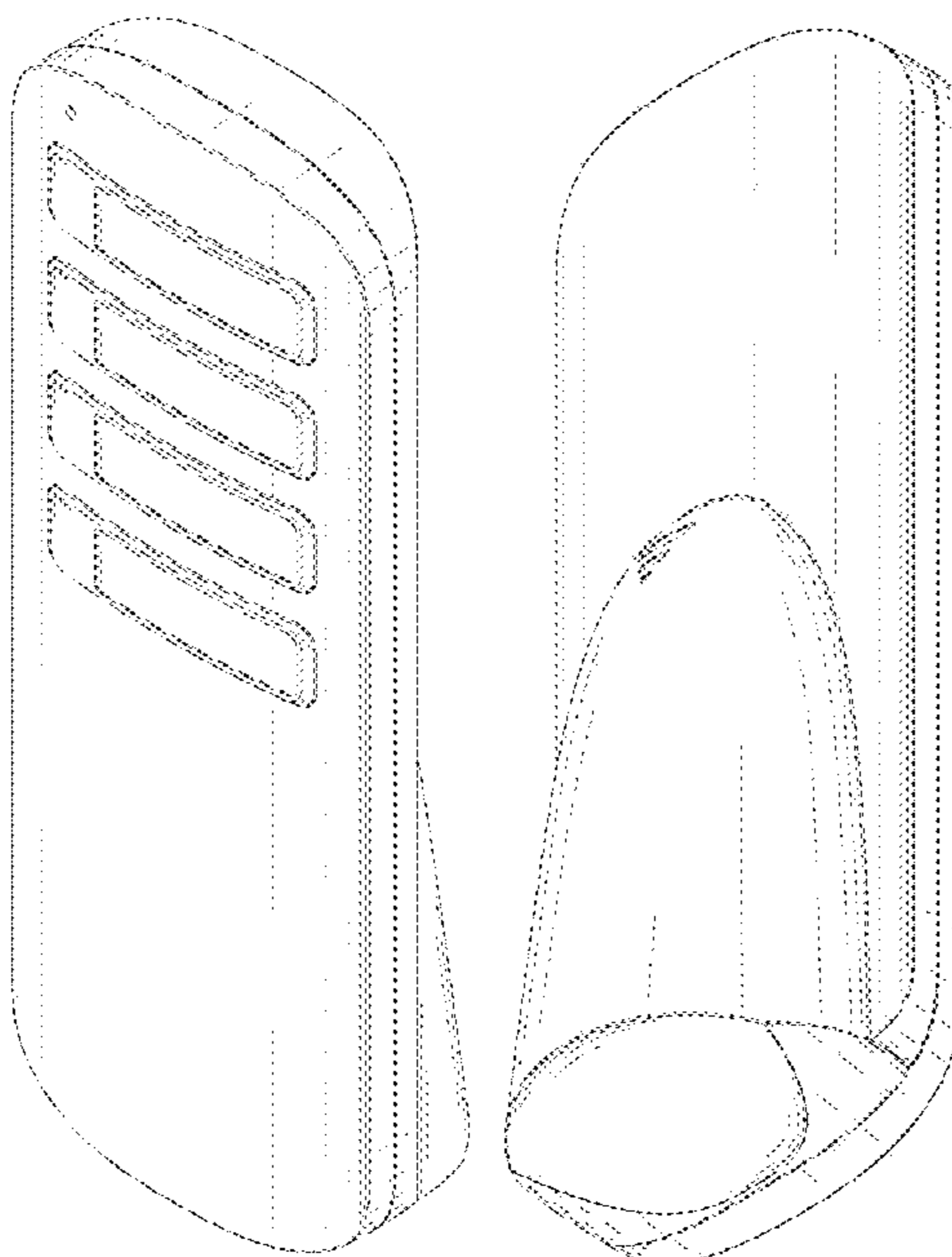
(57) **CLAIM**

The ornamental design for a key finder, as shown and described.

**DESCRIPTION**

FIG. 1 is a perspective view of a key finder showing my new design;  
FIG. 2 is another perspective view thereof;  
FIG. 3 is a front view thereof;  
FIG. 4 is a rear view thereof;  
FIG. 5 is a left side view thereof;  
FIG. 6 is a right side view thereof;  
FIG. 7 is a top plan view thereof; and,  
FIG. 8 is a bottom plan, view thereof.

**1 Claim, 8 Drawing Sheets**



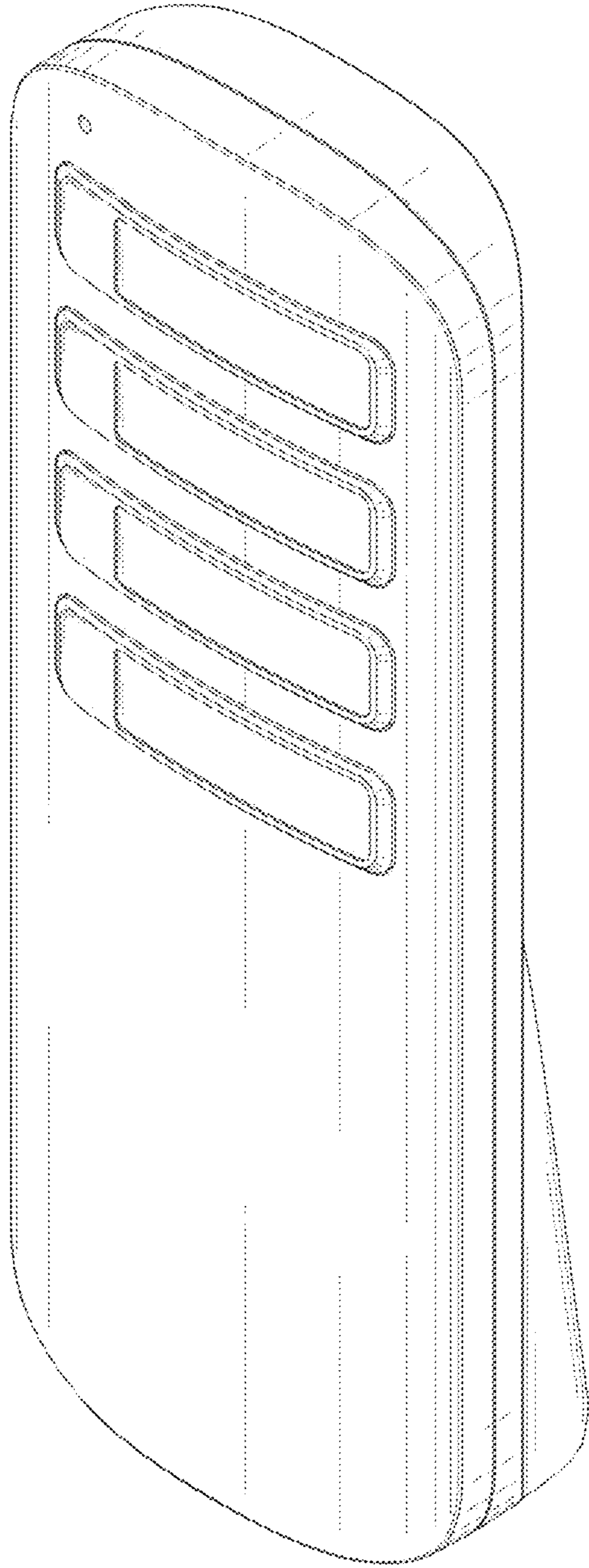


Fig. 1

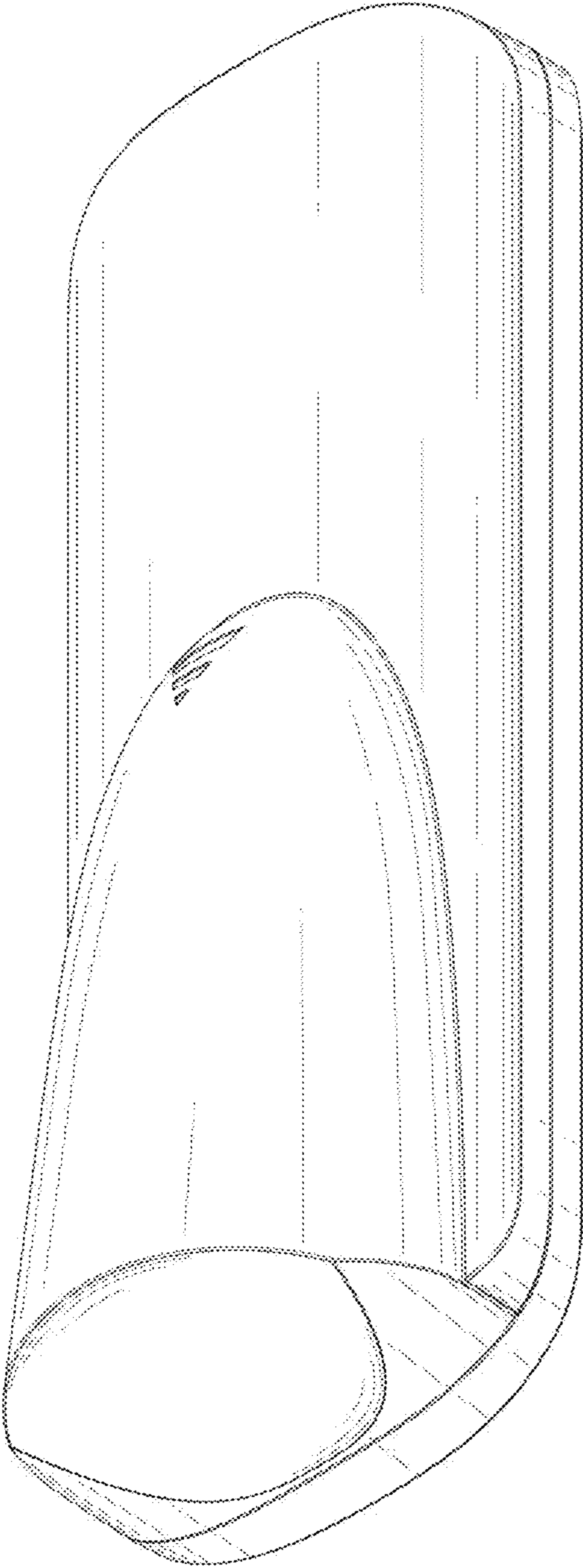


Fig. 2

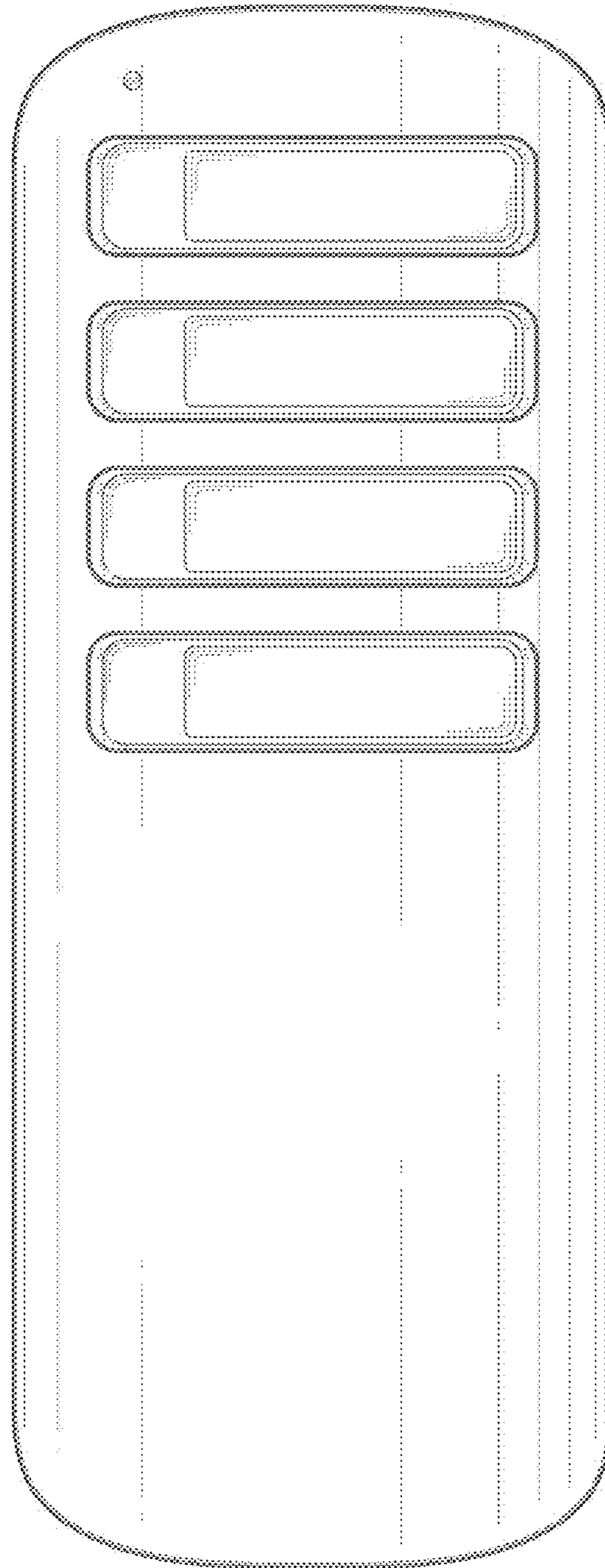


Fig. 3

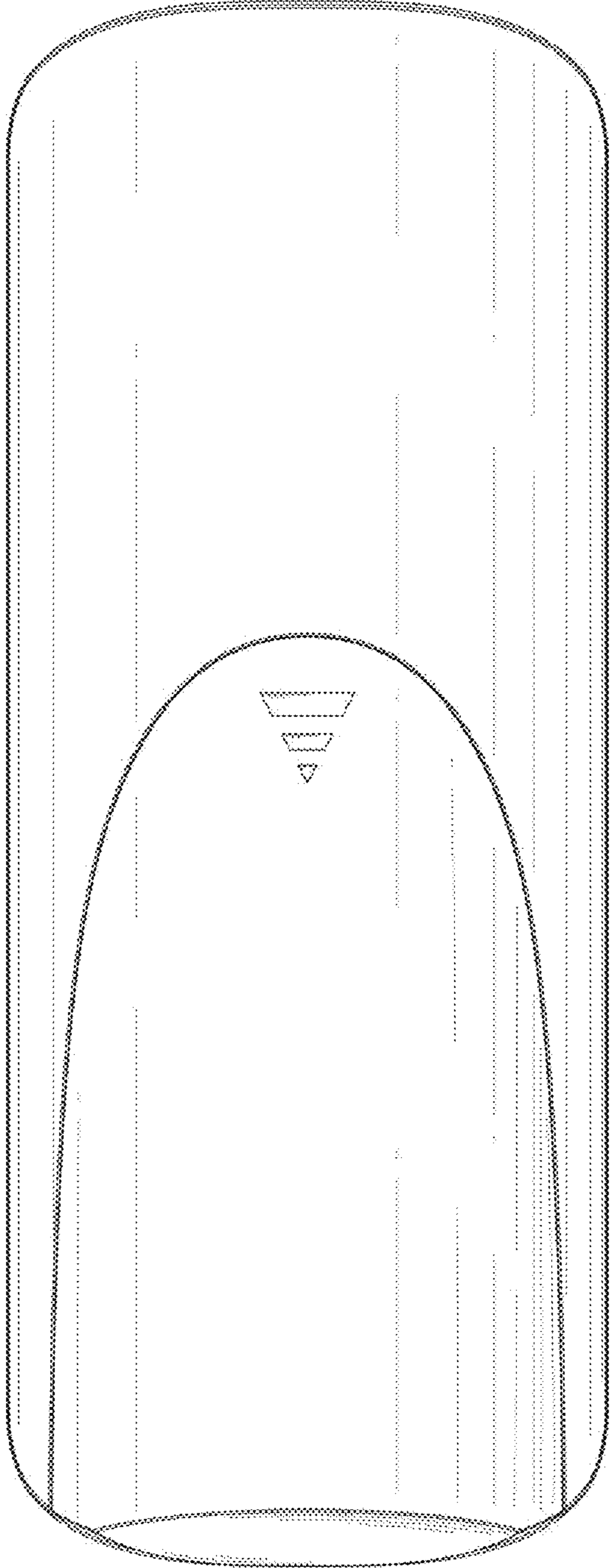


Fig. 4

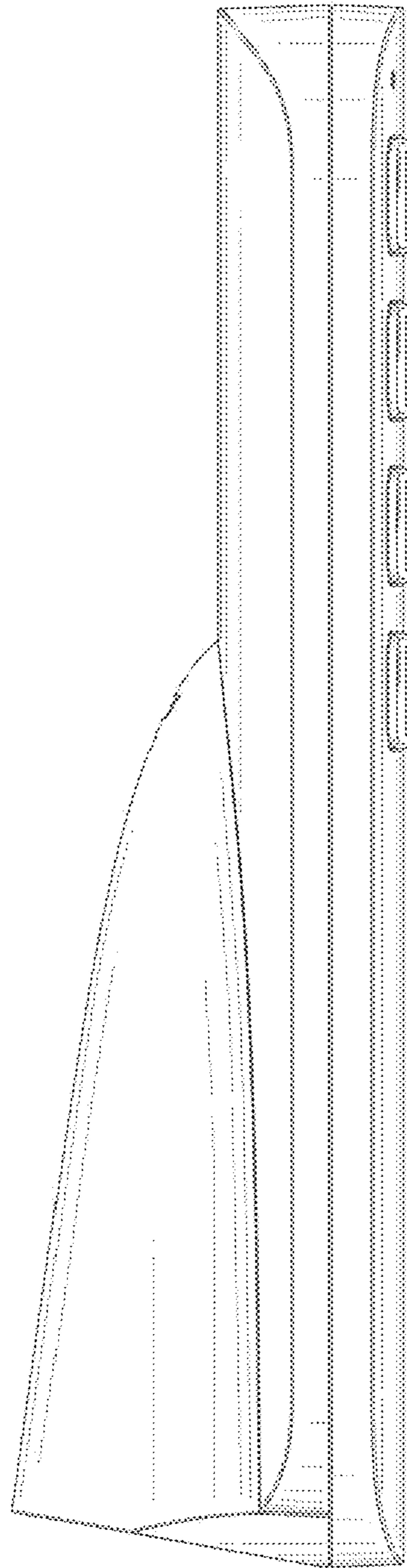


Fig. 5

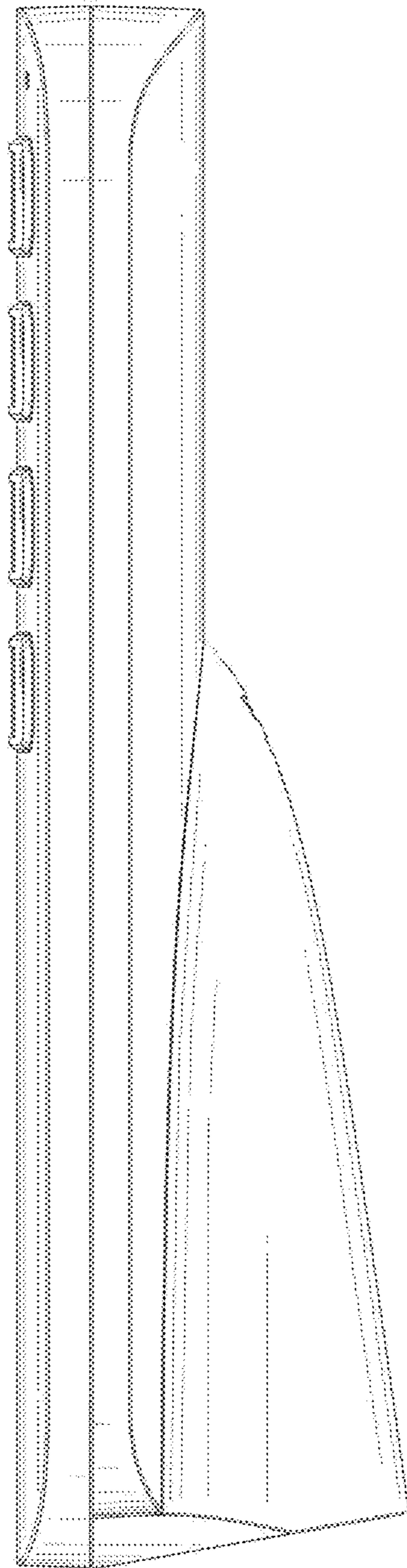


Fig. 6

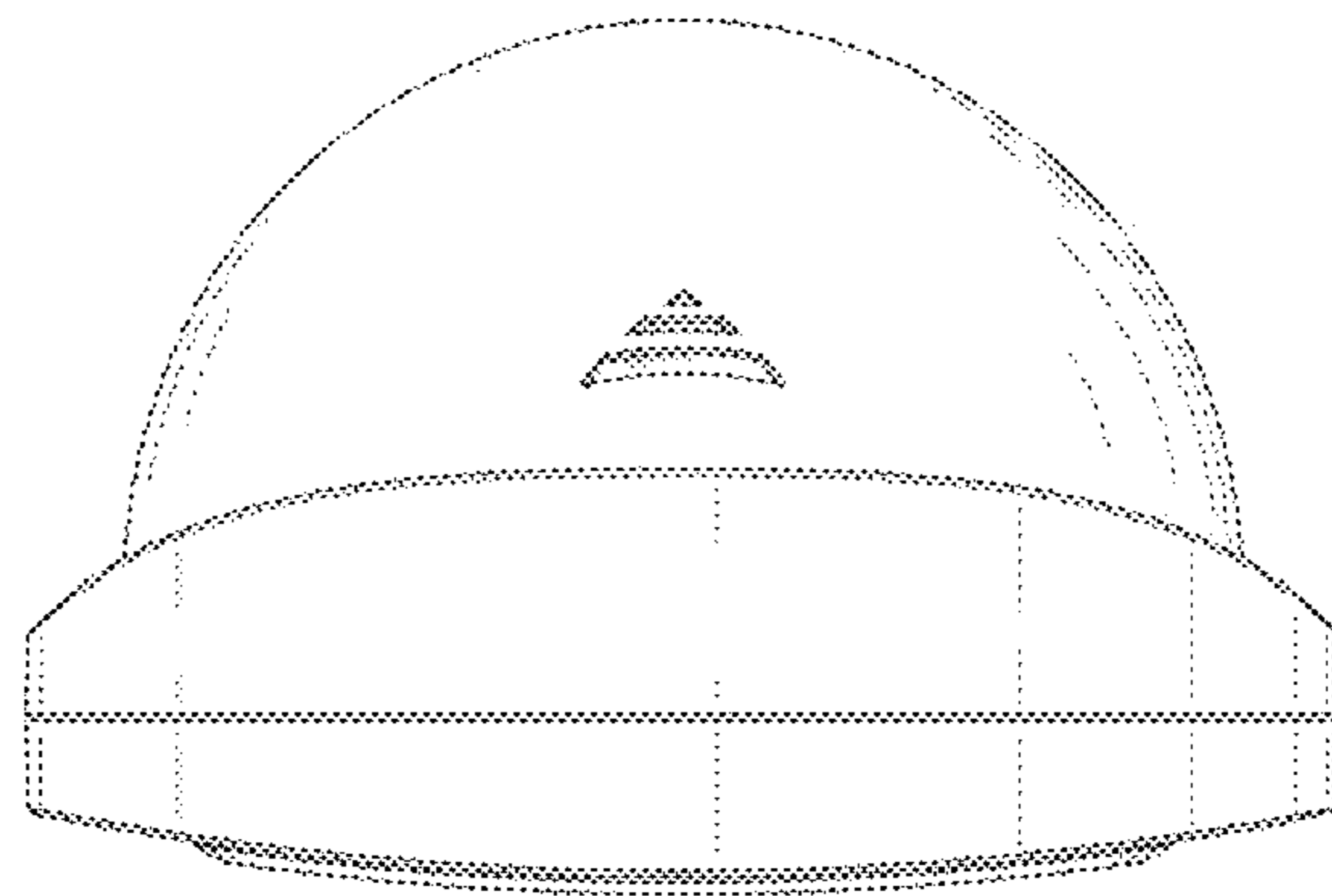
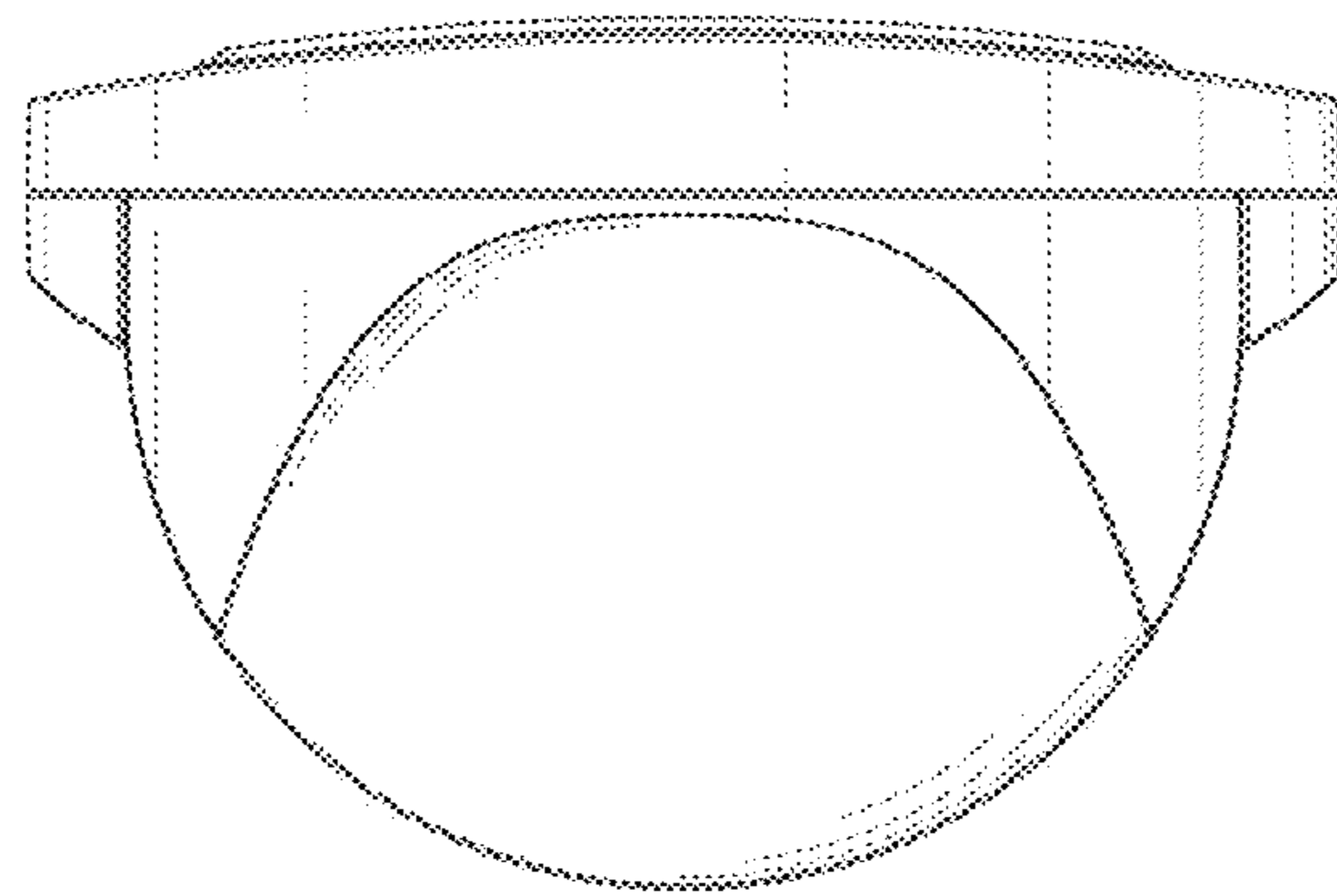


Fig. 7





**Fig. 8**