

US00D868605S

(12) **United States Design Patent** (10) **Patent No.:** **US D868,605 S**
Tang (45) **Date of Patent:** **** Dec. 3, 2019**

(54) **SOIL TESTER**

(71) Applicant: **Haijie Tang**, Hubei (CN)

(72) Inventor: **Haijie Tang**, Hubei (CN)

(73) Assignee: **SHENZHEN TUWEI INSTRUMENT EQUIPMENT CO. LTD**, Shenzhen (CN)

(**) Term: **15 Years**

(21) Appl. No.: **29/656,353**

(22) Filed: **Jul. 12, 2018**

(51) **LOC (12) Cl.** **10-04**

(52) **U.S. Cl.**
USPC **D10/56; D10/81**

(58) **Field of Classification Search**
USPC D10/46, 56, 81
CPC G01N 33/24; G01N 33/246; G01N 2033/243; G01N 2033/245; G01N 2033/248; G01N 15/08; G01N 15/0806; G01N 2203/0623; G01N 2203/0617; G01N 2203/06; G01N 2203/0605; G01N 2203/0641; G01N 2203/0647; G01N 2203/0658; G01N 33/241

See application file for complete search history.

(56) **References Cited**

U.S. PATENT DOCUMENTS

4,020,417 A * 4/1977 Brehob G01N 27/048
324/694

* cited by examiner

Primary Examiner — Antoine Duval Davis

(74) *Attorney, Agent, or Firm* — Justin Lampel

(57) **CLAIM**

The ornamental design for a soil tester, as shown and described.

DESCRIPTION

FIG. 1 is a perspective view of a soil tester showing my new design;

FIG. 2 is a front side view thereof;

FIG. 3 is a rear side view thereof;

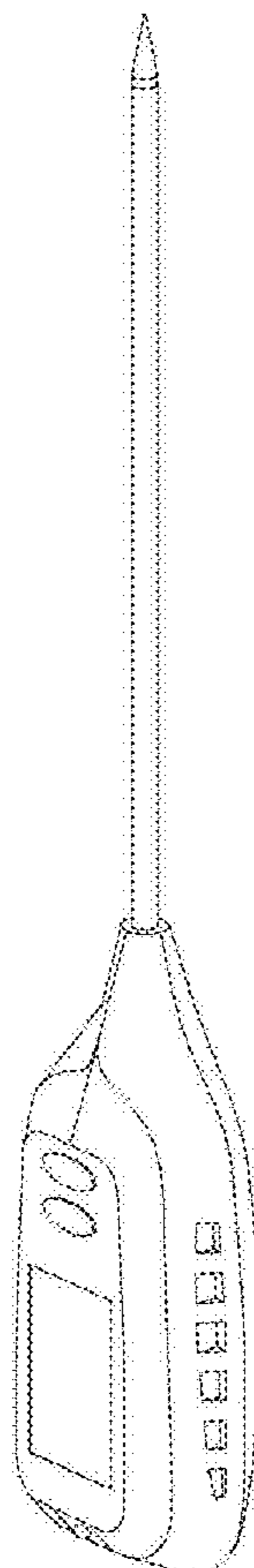
FIG. 4 is a right side view thereof;

FIG. 5 is a left side view thereof;

FIG. 6 is a bottom plan view thereof; and,

FIG. 7 is a top plan view thereof.

1 Claim, 7 Drawing Sheets



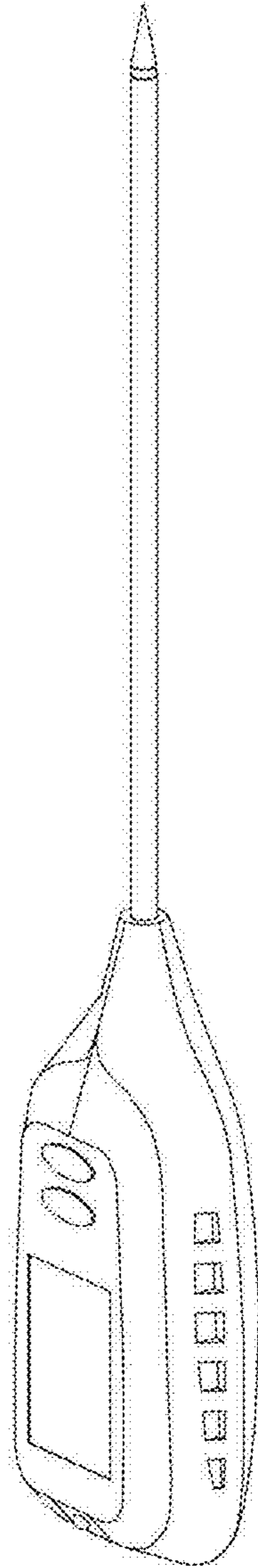


FIG. 1

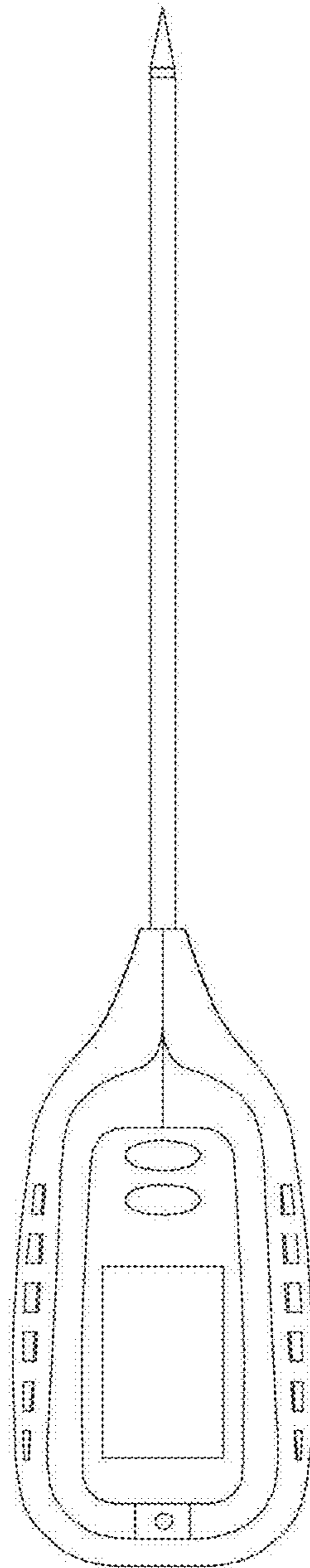


FIG. 2

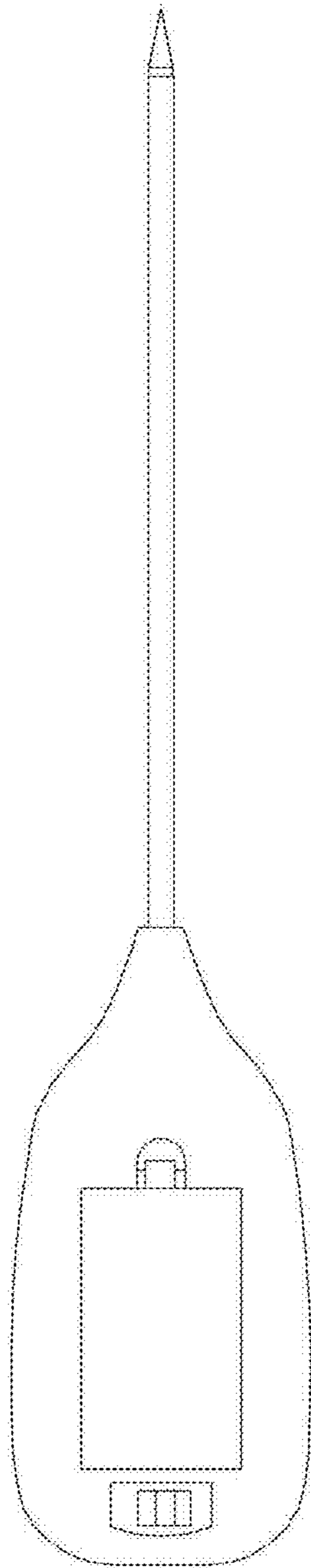


FIG. 3

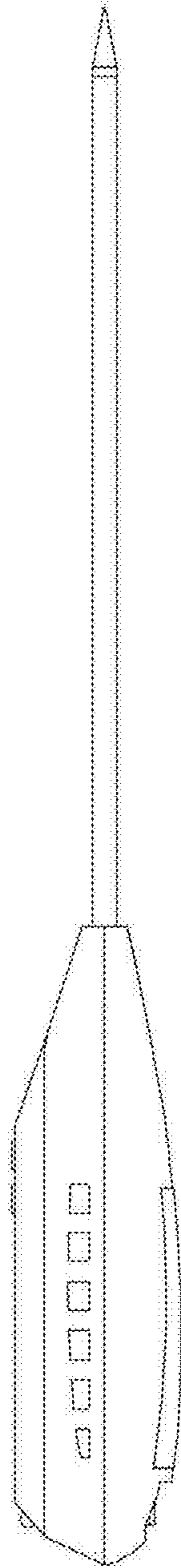


FIG. 4

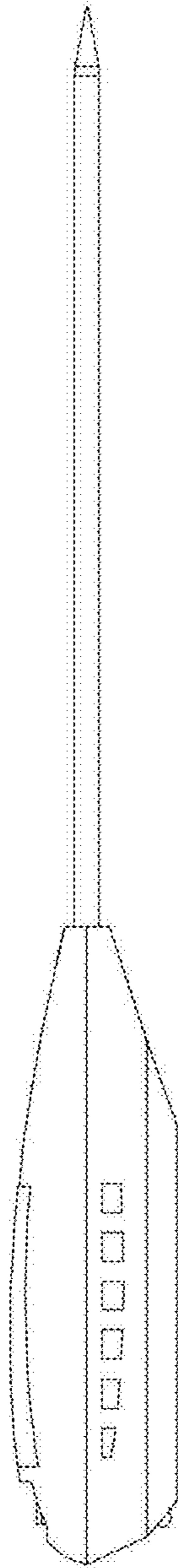


FIG. 5

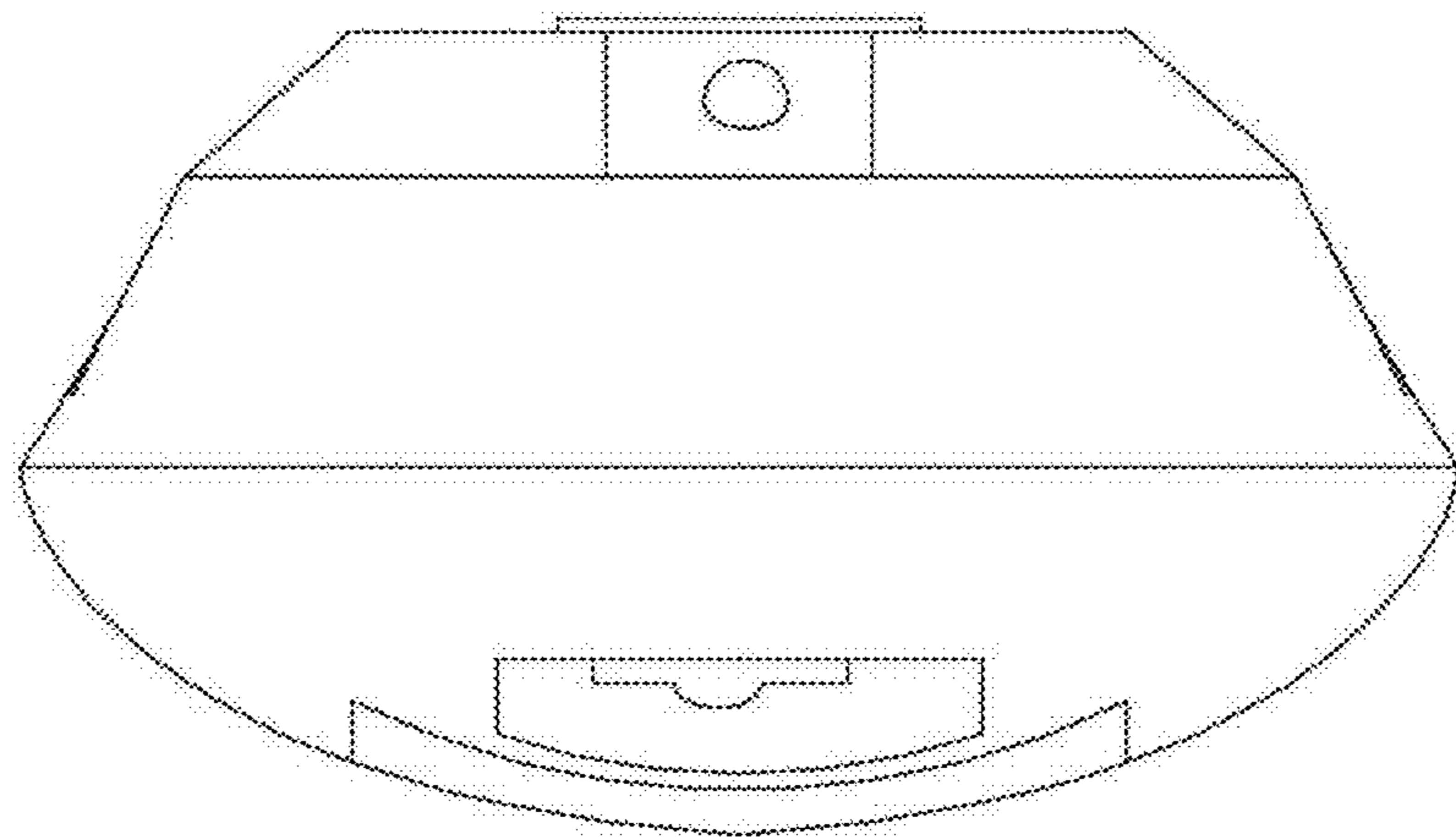


FIG. 6

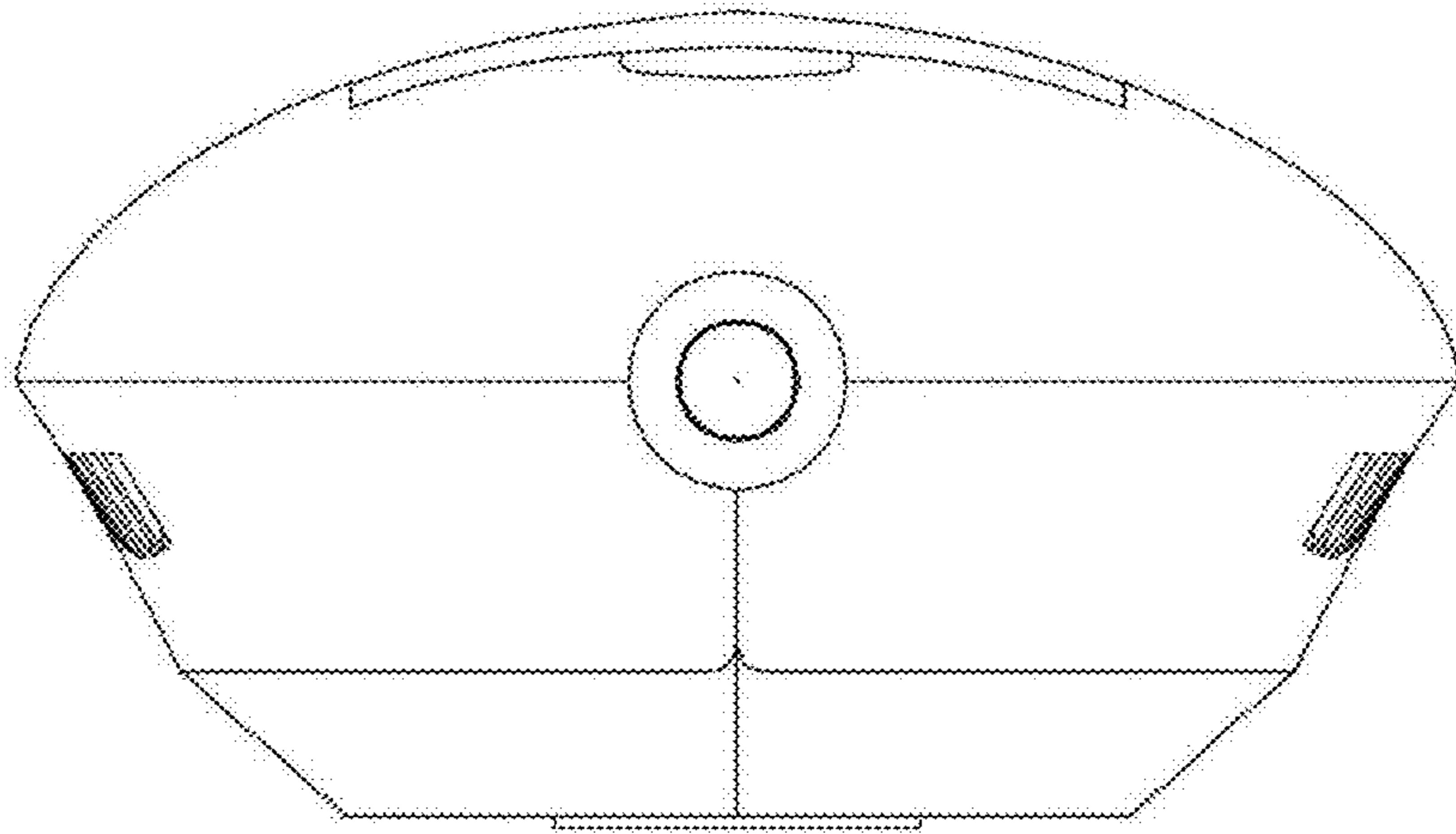


FIG. 7