



US00D868601S

(12) **United States Design Patent** (10) **Patent No.:** **US D868,601 S**
Evans (45) **Date of Patent:** **** Dec. 3, 2019**

(54) **TIMER**
(71) Applicant: **Damian Evans Design Limited,**
Brighton (GB)
(72) Inventor: **Damian Evans,** Brighton (GB)
(73) Assignee: **DAMIAN EVANS DESIGN**
LIMITED (GB)

(**) Term: **15 Years**

(21) Appl. No.: **29/658,887**

(22) Filed: **Aug. 3, 2018**

(30) **Foreign Application Priority Data**

Feb. 5, 2018 (EM) 004694552

(51) **LOC (12) Cl.** **10-03**

(52) **U.S. Cl.**
USPC **D10/41**

(58) **Field of Classification Search**
USPC D10/1-2, 30-39, 40-41, 104.2, 106.94,
D10/114.1-114.9, 116.1, 120-121;
D14/344; D24/167, 186
CPC . H04R 1/00; H04R 1/30; H04R 1/023; G10K
9/12; G10K 9/22; G10K 9/04; G04F
1/00; G04F 1/005; G04F 3/00; G04F 5/00
See application file for complete search history.

(56) **References Cited**

U.S. PATENT DOCUMENTS

D161,490 S * 1/1951 Moore D20/27
D283,403 S * 4/1986 Chan D10/15
D284,358 S * 6/1986 Chan D10/40
D337,952 S * 8/1993 Wolff D10/15
6,507,775 B1 * 1/2003 Simon A01G 25/16
137/624.11
D488,393 S * 4/2004 Hsu D10/40

D525,539 S * 7/2006 Kanbar D10/40
D535,571 S * 1/2007 Simon D10/40
D591,181 S * 4/2009 Kanbar D10/40
D614,051 S * 4/2010 Cooney D10/40
D631,765 S * 2/2011 Qian D10/40
D780,603 S * 3/2017 Chism D10/40
D821,237 S * 6/2018 Hwang D10/86
10,285,344 B2 * 5/2019 Stange A01G 25/16
2006/0256665 A1 * 11/2006 Kadokura G04B 45/0038
368/107
2007/0287519 A1 * 12/2007 McLain A63F 1/06
463/13
2010/0274527 A1 * 10/2010 Ruff G04G 15/006
702/178

(Continued)

Primary Examiner — Sandra S Snapp
Assistant Examiner — Katherine Glennon
(74) *Attorney, Agent, or Firm* — The Belles Group, P.C.

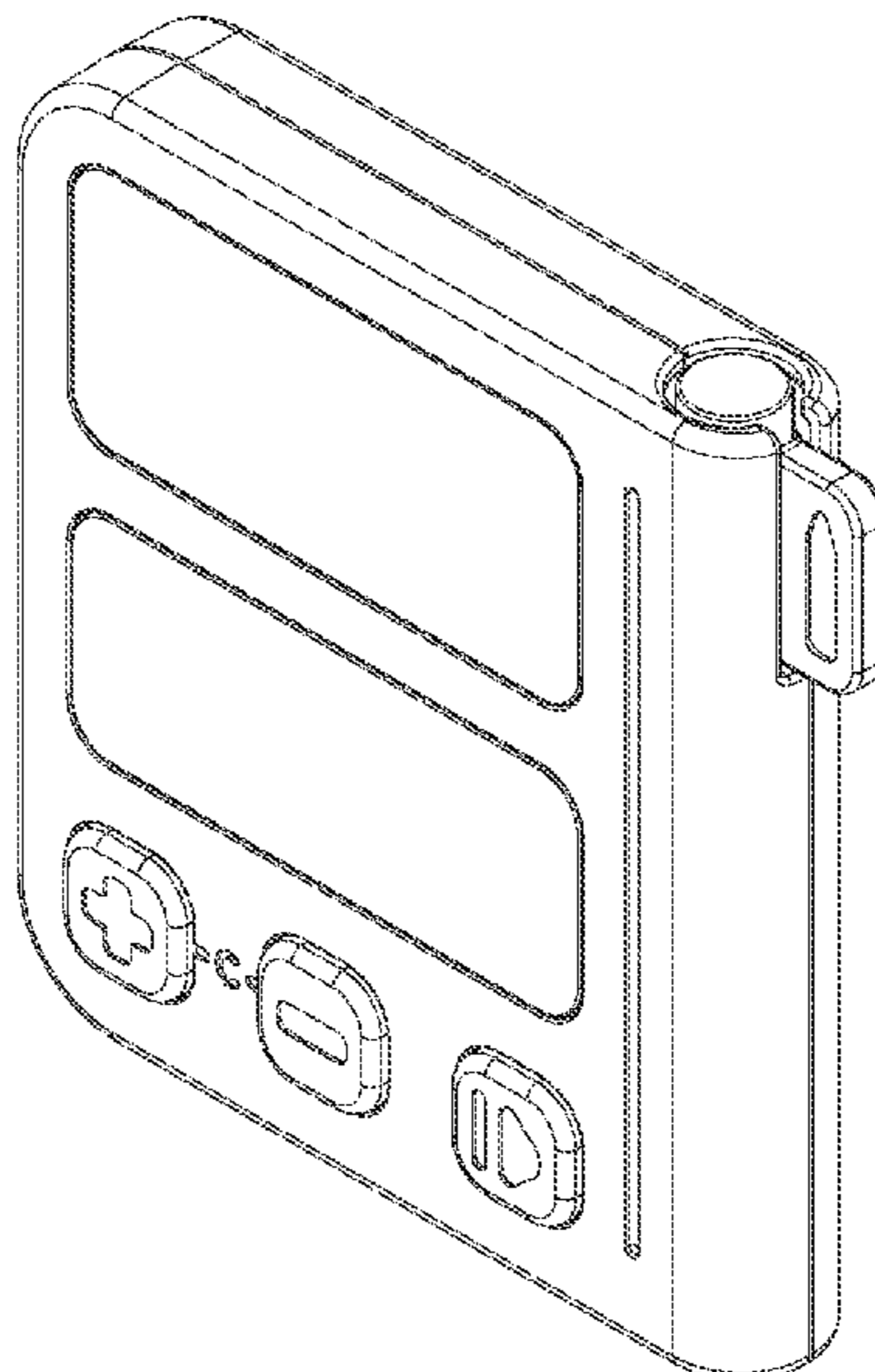
(57) **CLAIM**

The ornamental design for a timer, as shown and described.

DESCRIPTION

FIG. 1 is a front perspective view of a timer in accordance with the new design;
FIG. 2 is a bottom perspective view thereof;
FIG. 3 is a front elevation view thereof,
FIG. 4 is a rear elevation thereof;
FIG. 5 is a right-side elevation view thereof;
FIG. 6 is a left-side elevation view thereof;
FIG. 7 is a top plan view thereof;
FIG. 8 is a bottom plan view thereof;
FIG. 9 is an exploded right-side front perspective view thereof;
FIG. 10 is an exploded left-side front perspective view thereof; and,
FIG. 11 is an exploded front view thereof.
The broken lines show portions of the timer that form no part of the claimed design.

1 Claim, 11 Drawing Sheets



(56)

References Cited

U.S. PATENT DOCUMENTS

2014/0219065 A1* 8/2014 Novak G04F 1/005
368/29
2015/0061546 A1* 3/2015 Stack G04G 15/006
315/360

* cited by examiner

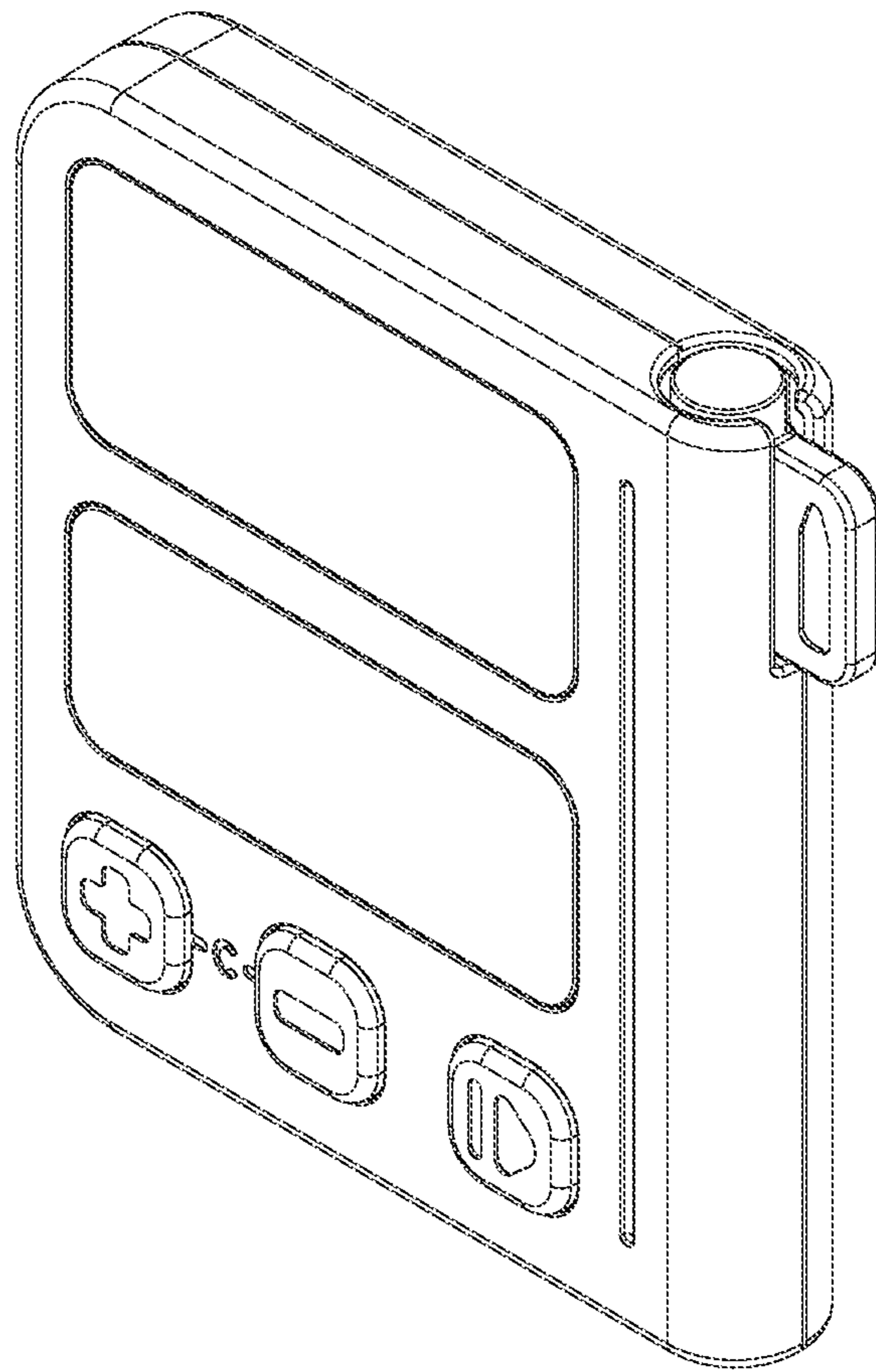


FIG. 1

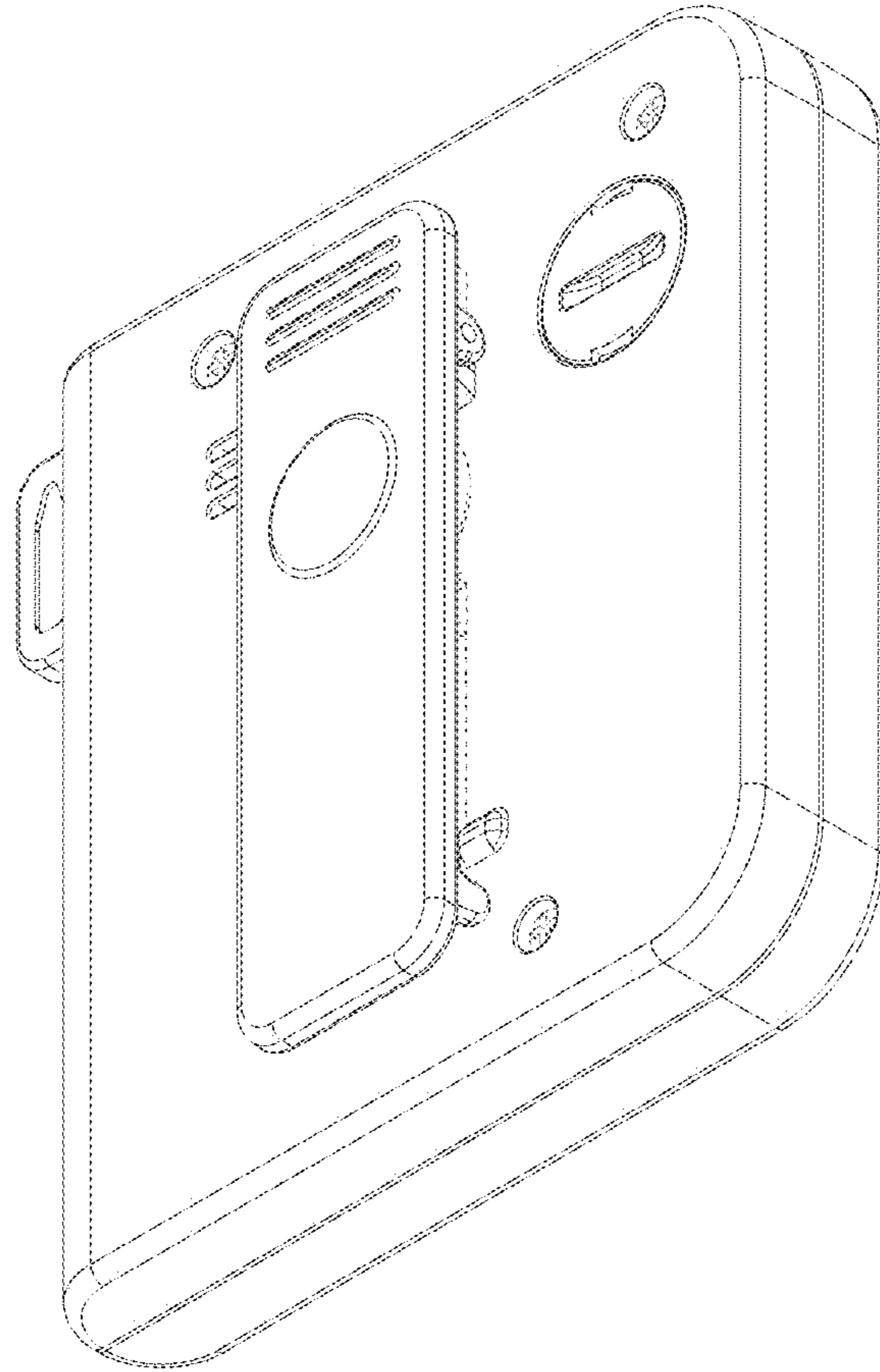


FIG. 2

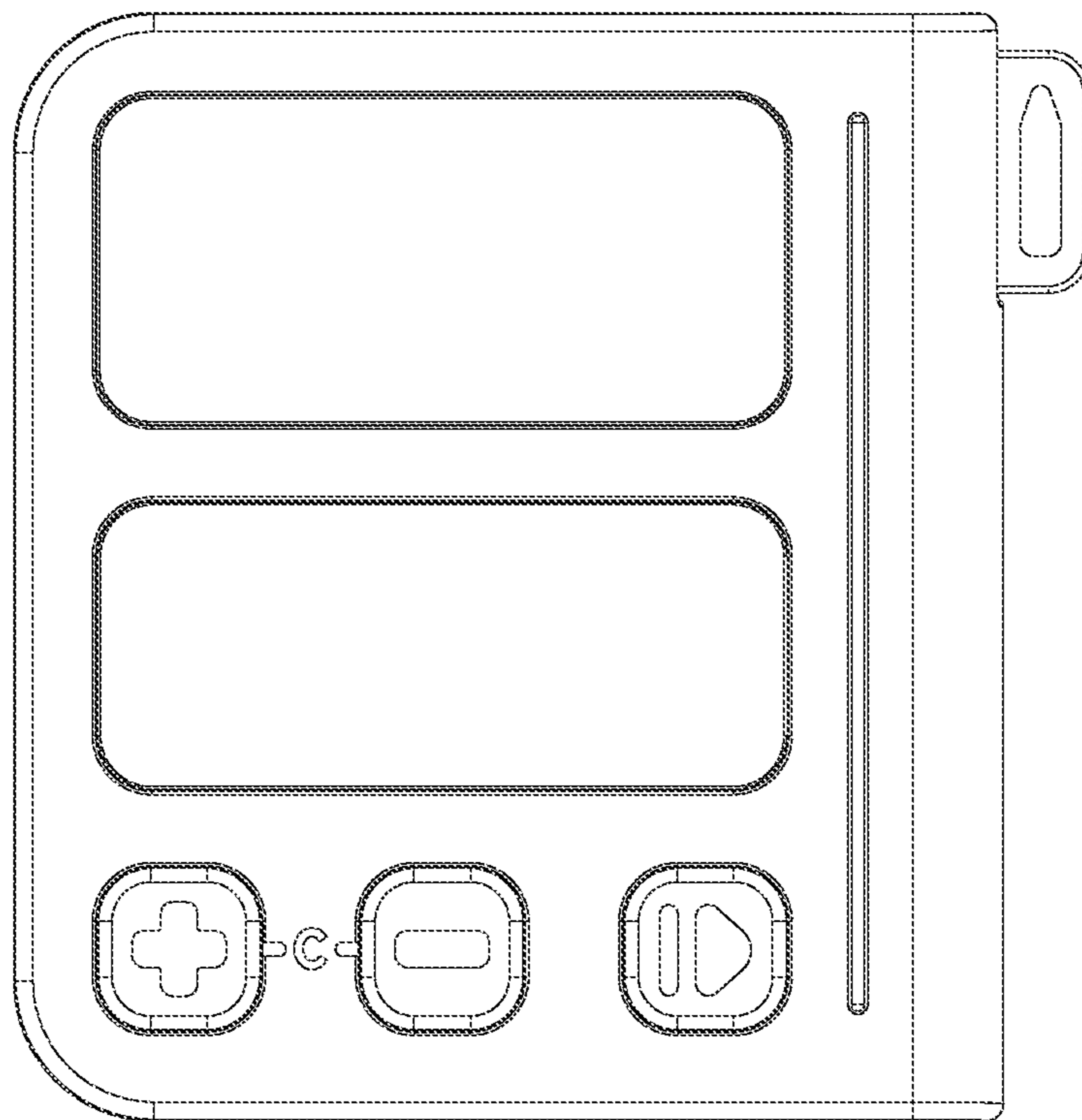


FIG. 3

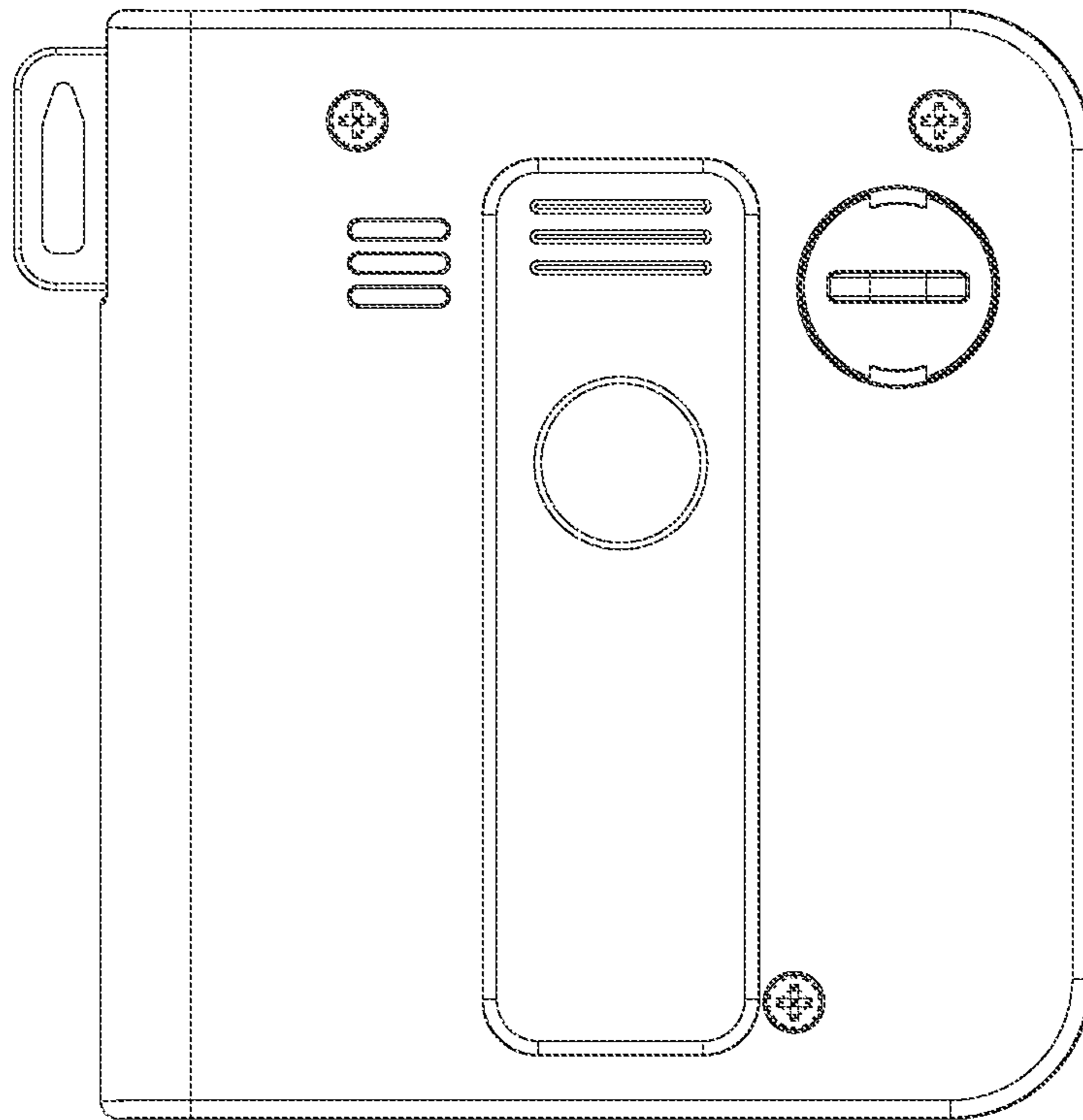


FIG. 4

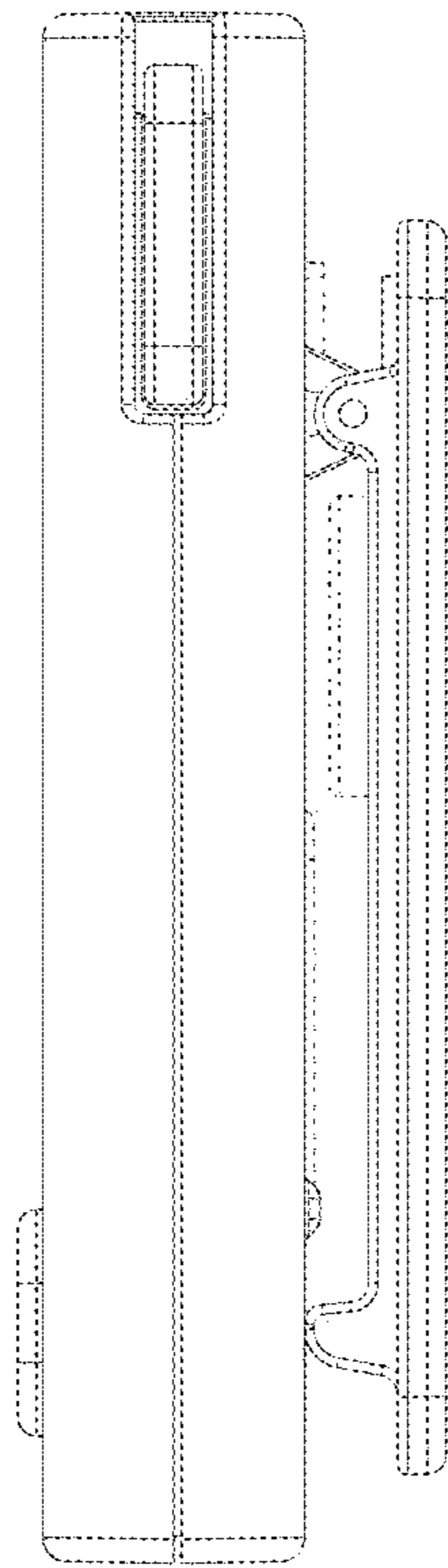


FIG. 5

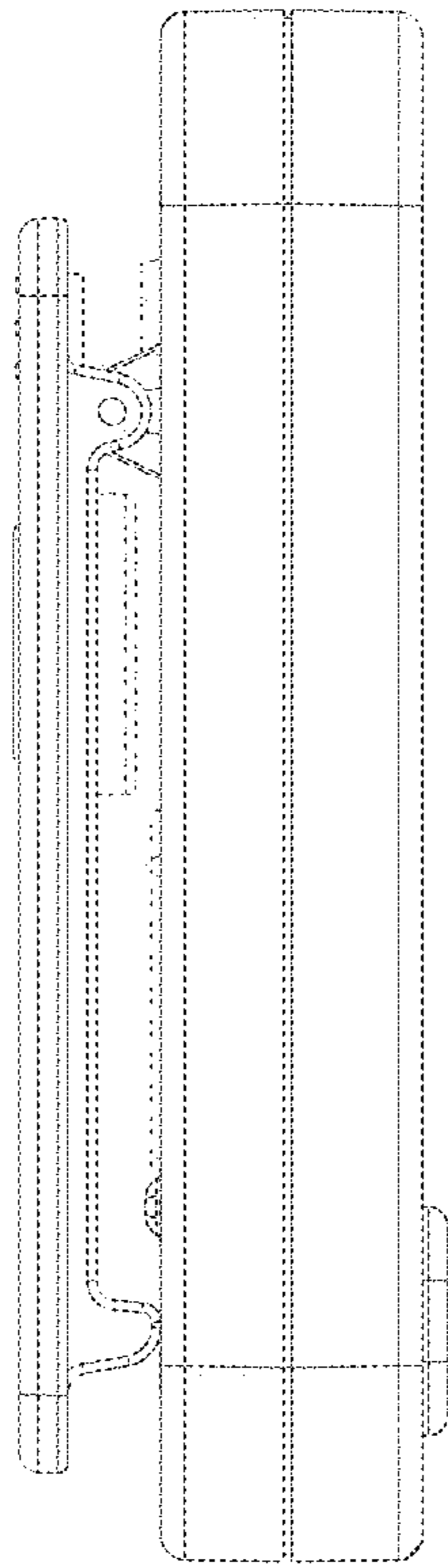


FIG. 6

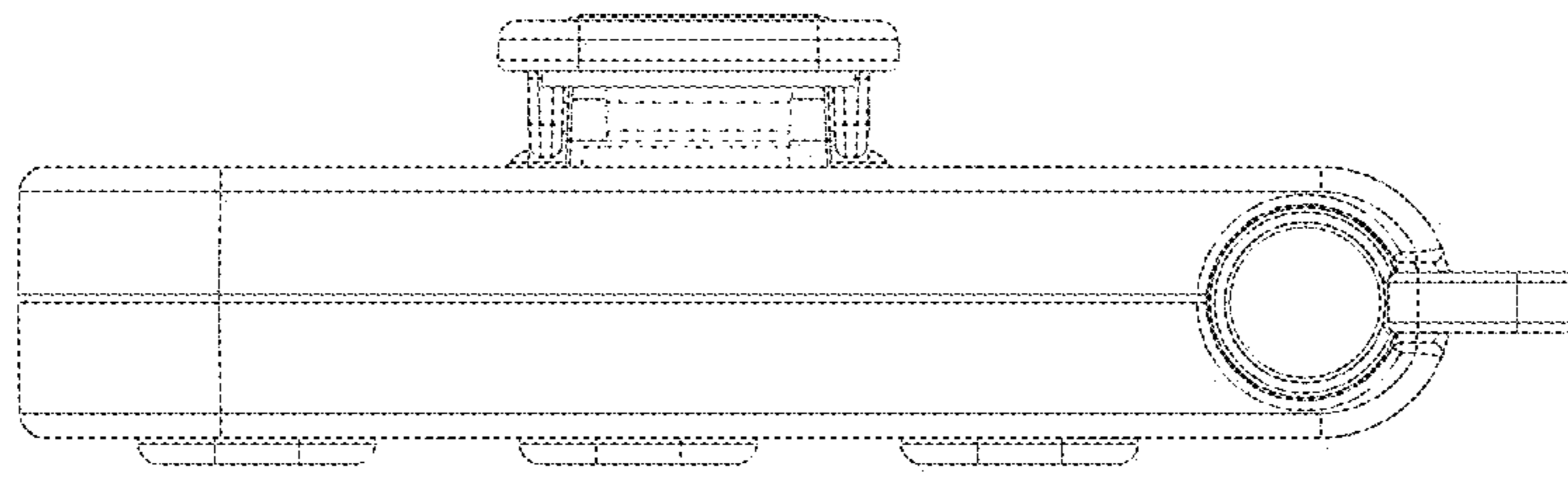


FIG. 7

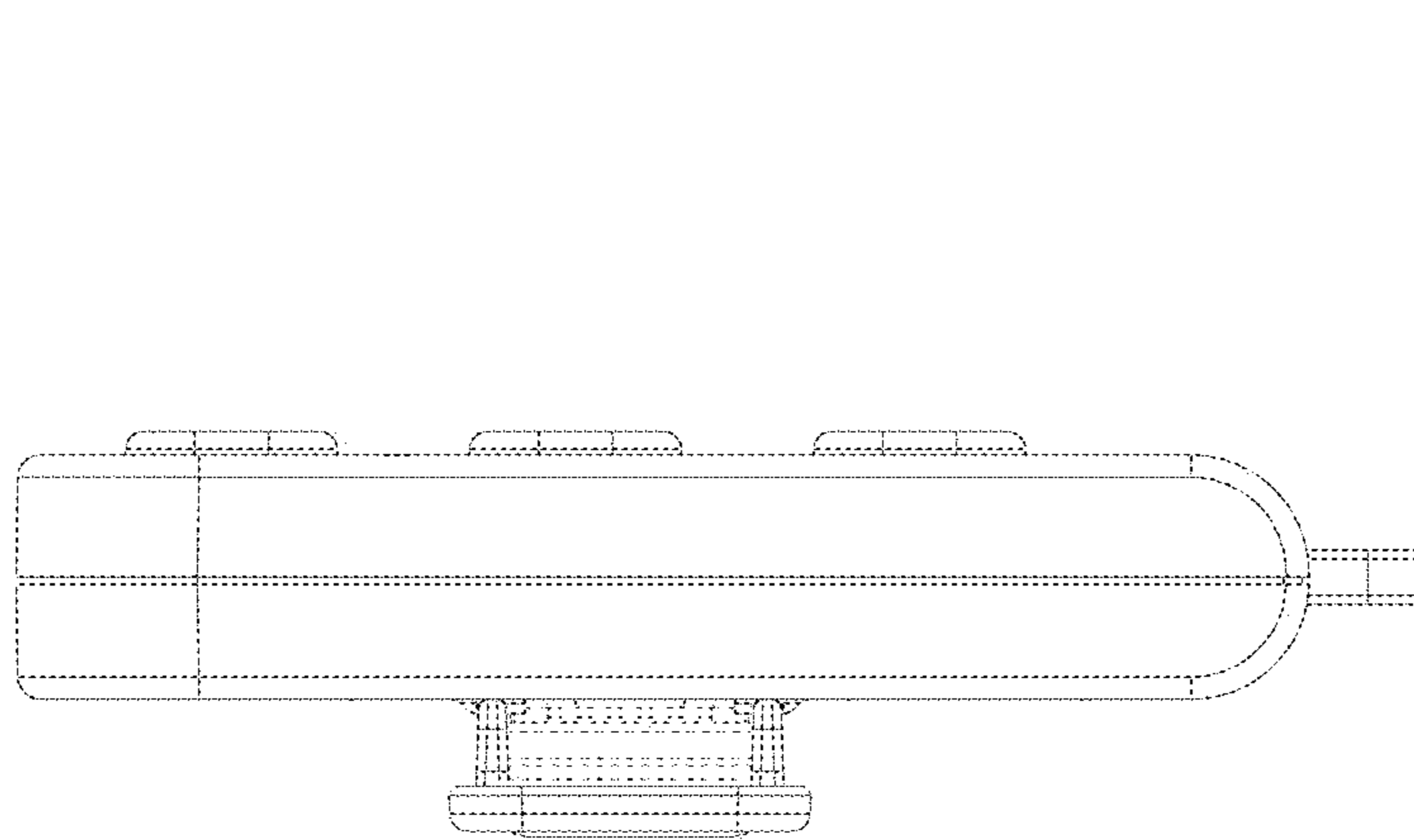


FIG. 8

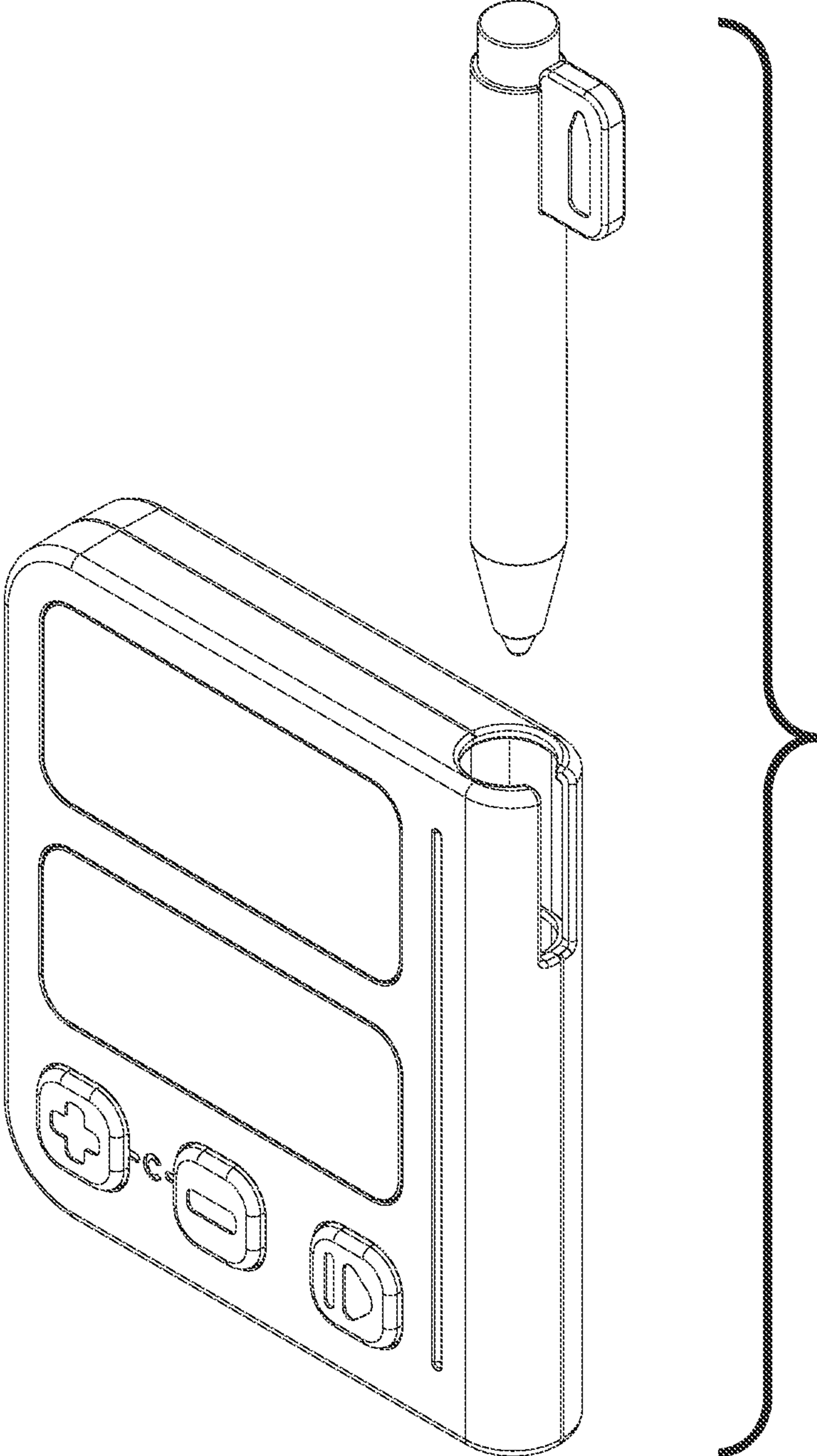


FIG. 9

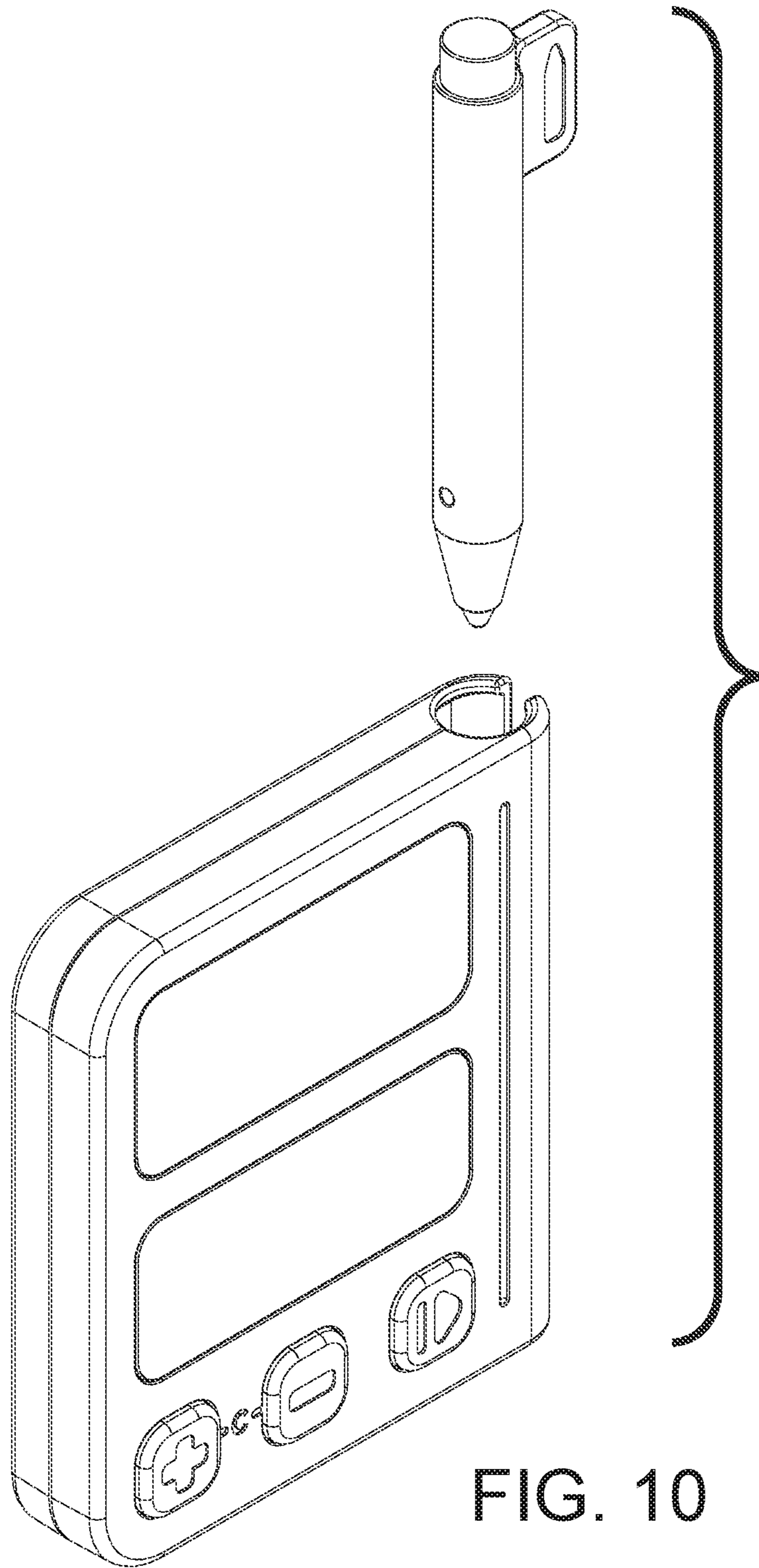


FIG. 10

FIG. 11

