



US00D868600S

(12) **United States Design Patent** (10) **Patent No.:** **US D868,600 S**  
**Mille** (45) **Date of Patent:** **\*\* Dec. 3, 2019**

(54) **WATCH**  
(71) Applicant: **Turlen Holding SA**, Les Breuleux (CH)  
(72) Inventor: **Richard Mille**, Moulins (FR)  
(73) Assignee: **TURLEN HOLDING SA**, Les Breuleux (CH)  
(\*\*) Term: **15 Years**

D732,407 S \* 6/2015 Mille ..... D10/125  
D737,694 S \* 9/2015 Engelbrecht ..... D10/126  
D753,512 S \* 4/2016 Mille ..... D10/125  
D755,647 S \* 5/2016 Mille ..... D10/125  
D765,521 S \* 9/2016 Mille ..... D10/30  
D838,608 S \* 1/2019 Mille ..... D10/39  
D839,106 S \* 1/2019 Mille ..... D10/39  
2006/0181962 A1\* 8/2006 Besse ..... G04B 17/285  
368/127  
2015/0359303 A1\* 12/2015 Lebreton ..... A44C 17/02  
368/168

(21) Appl. No.: **29/650,845**  
(22) Filed: **Jun. 11, 2018**  
(30) **Foreign Application Priority Data**

Mar. 5, 2018 (WO) ..... DM/100117

(51) **LOC (12) Cl.** ..... **10-02**  
(52) **U.S. Cl.**  
USPC ..... **D10/39**

(58) **Field of Classification Search**  
USPC ..... D10/30-39, 52-75, 98; D14/344  
CPC ..... G04B 3/046; G04B 3/048; G04B 19/00;  
G04B 19/06; G04B 19/065; G04B 19/08;  
G04B 19/082; G04B 19/085; G04B  
19/087; G04B 19/10; G04B 19/103;  
G04B 19/106; G04B 19/12; G04B 19/18;  
G04B 19/22; G04B 19/24; G04B 19/241;  
G04B 19/243; G04B 19/226; G04B  
19/30; G04B 37/00; G04B 37/08; G04B  
37/16; G04B 37/0058; G04B 45/0069;  
G04B 45/0076; G04B 47/04; G04B  
47/06; G04B 47/063; G04C 17/00  
See application file for complete search history.

(56) **References Cited**  
U.S. PATENT DOCUMENTS

D456,274 S \* 4/2002 Mille ..... D10/30  
D714,662 S \* 10/2014 Mille ..... D10/39  
D731,902 S \* 6/2015 Mille ..... D10/125

**OTHER PUBLICATIONS**

Richard Mille Oryx Watch | posted at atimelyperspective.com Mar. 2019 [online]. © 2010-2019, Roberta Naas [retrieved Sep. 10, 2019] from Internet: <<https://www.atimelyperspective.com/charitable-causes-in-the-watch-world-richard-mille-donates-proceeds-of-800000-watches-to-education-above-all-foundation/>> (Year: 2019).\*

\* cited by examiner

*Primary Examiner* — Sandra S Snapp  
*Assistant Examiner* — Katherine Glennon  
(74) *Attorney, Agent, or Firm* — Donald J. Ranft; Collen

(57) **CLAIM**

The ornamental design for a watch, as shown.

**DESCRIPTION**

FIG. 1 is a front right perspective view of a watch showing my new design;  
FIG. 2 is a rear left perspective view thereof;  
FIG. 3 is a front left perspective view thereof;  
FIG. 4 is a rear right perspective view thereof;  
FIG. 5 is a front view thereof;  
FIG. 6 is a rear view thereof;  
FIG. 7 is a right side view thereof;  
FIG. 8 is a left side view thereof;  
FIG. 9 is a bottom view thereof; and,  
FIG. 10 is a top view thereof.

**1 Claim, 8 Drawing Sheets**

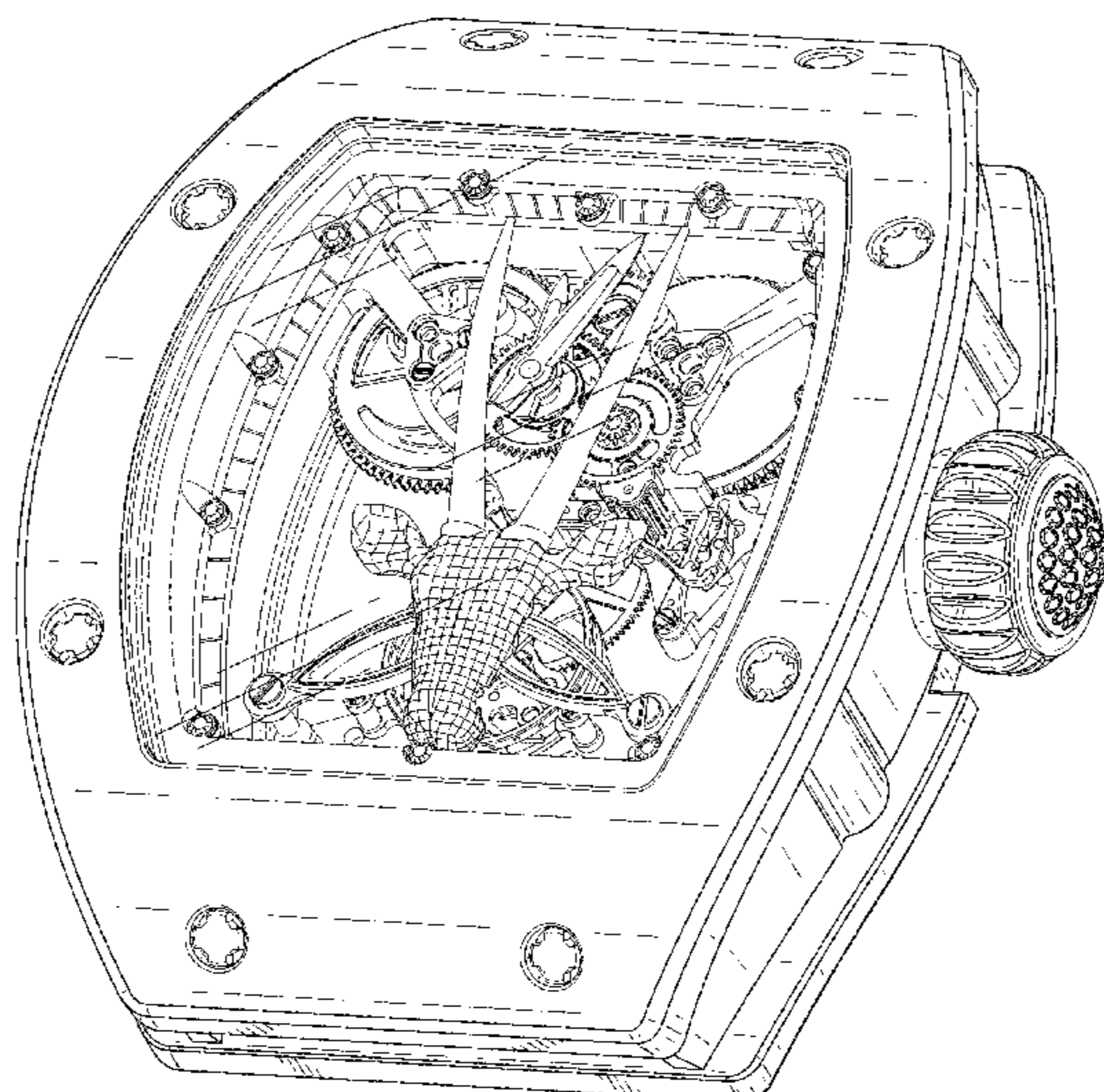




FIG. 1



FIG. 2



FIG. 3

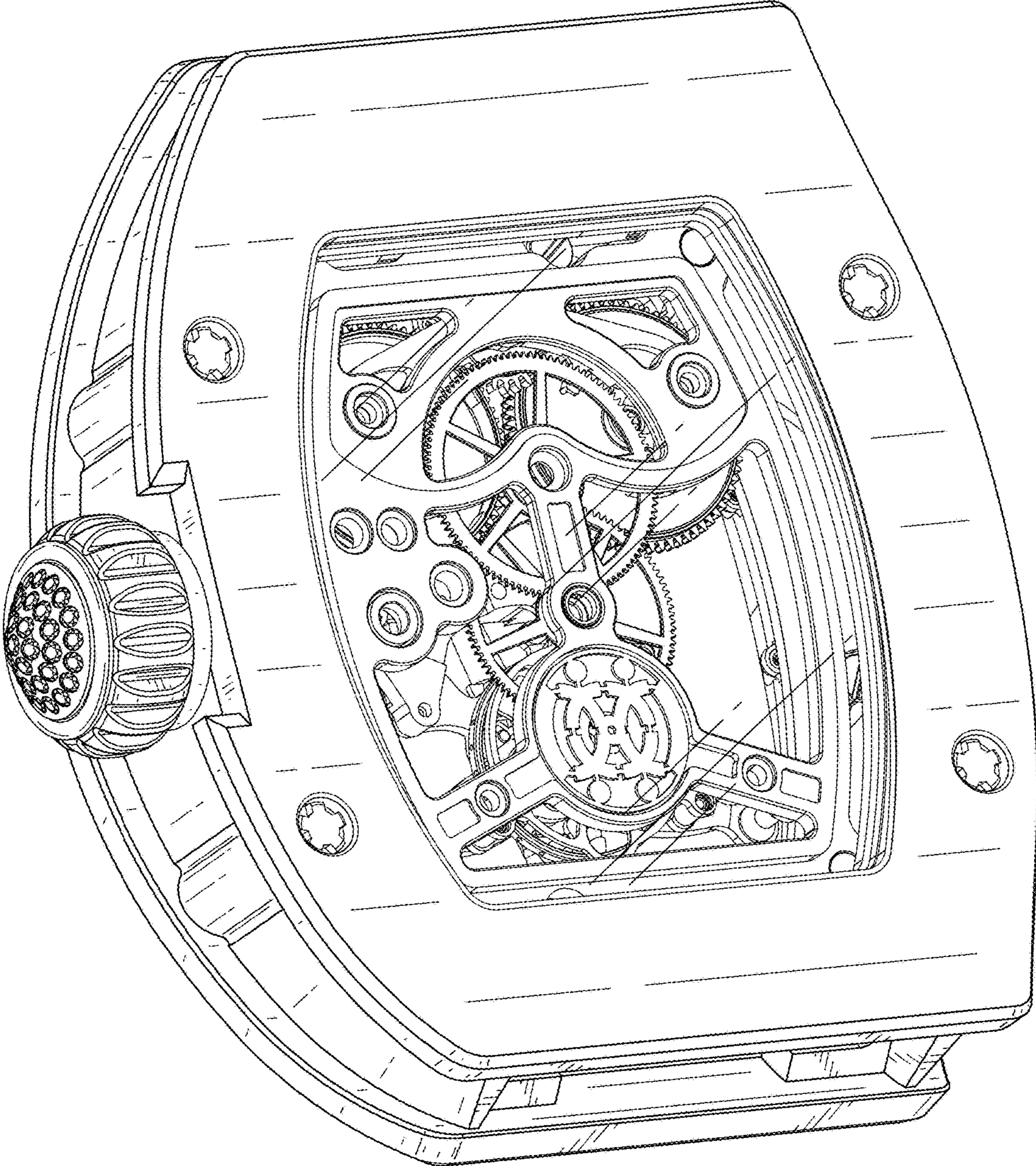


FIG. 4



FIG. 5

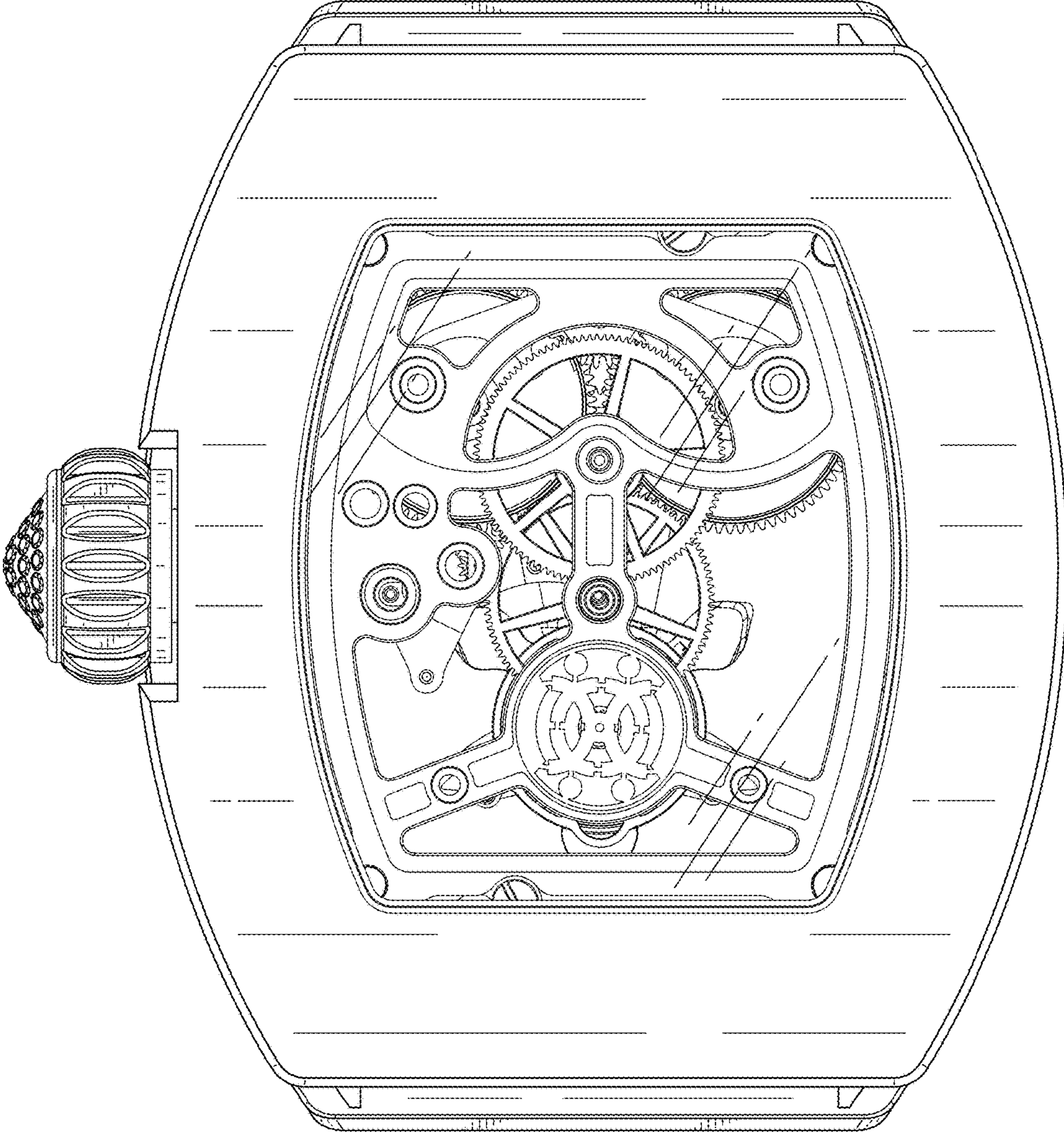


FIG. 6

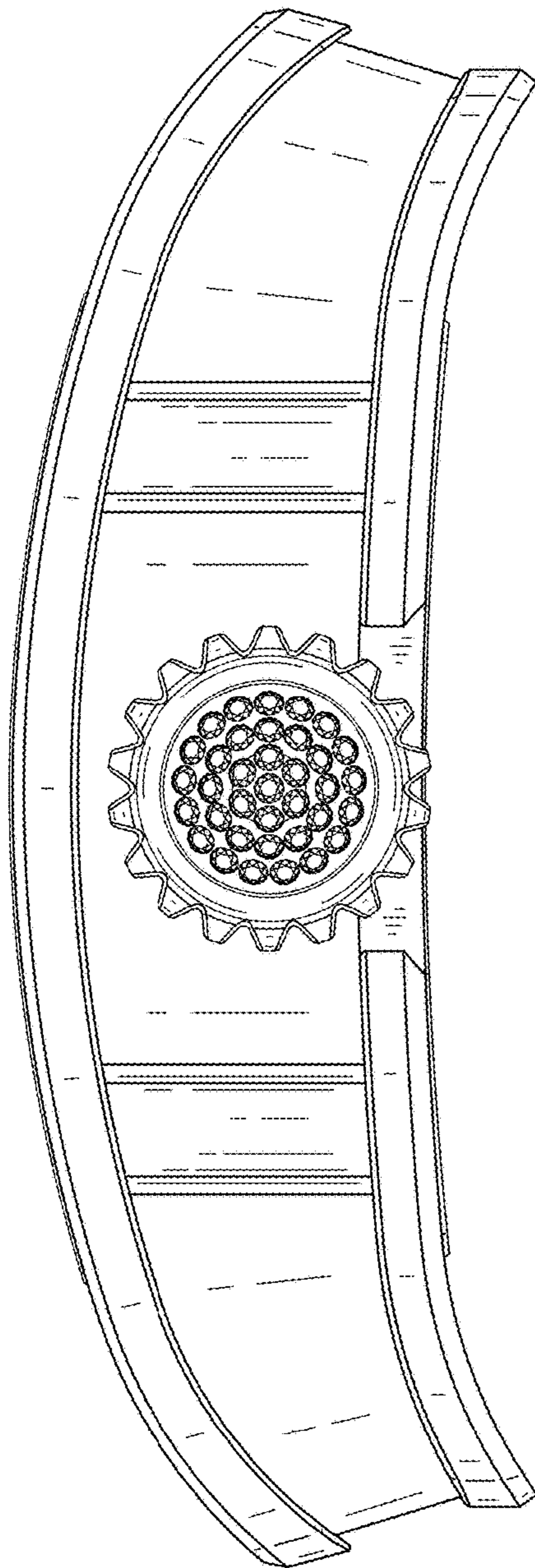


FIG. 7

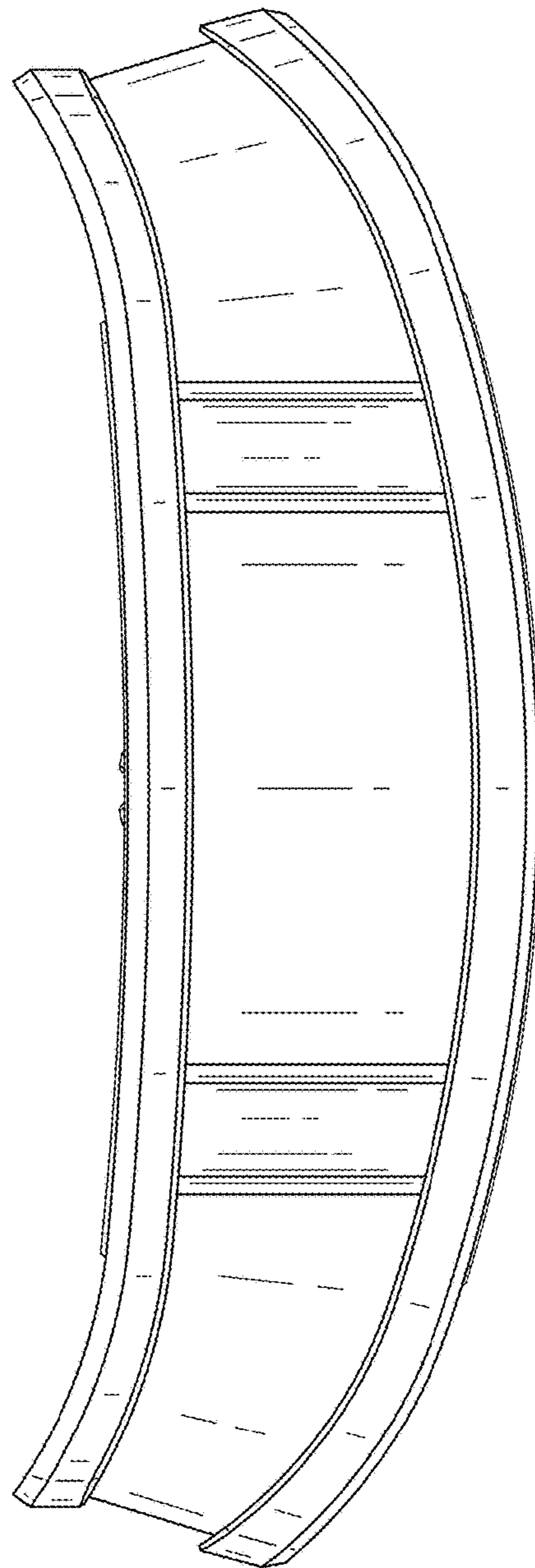


FIG. 8



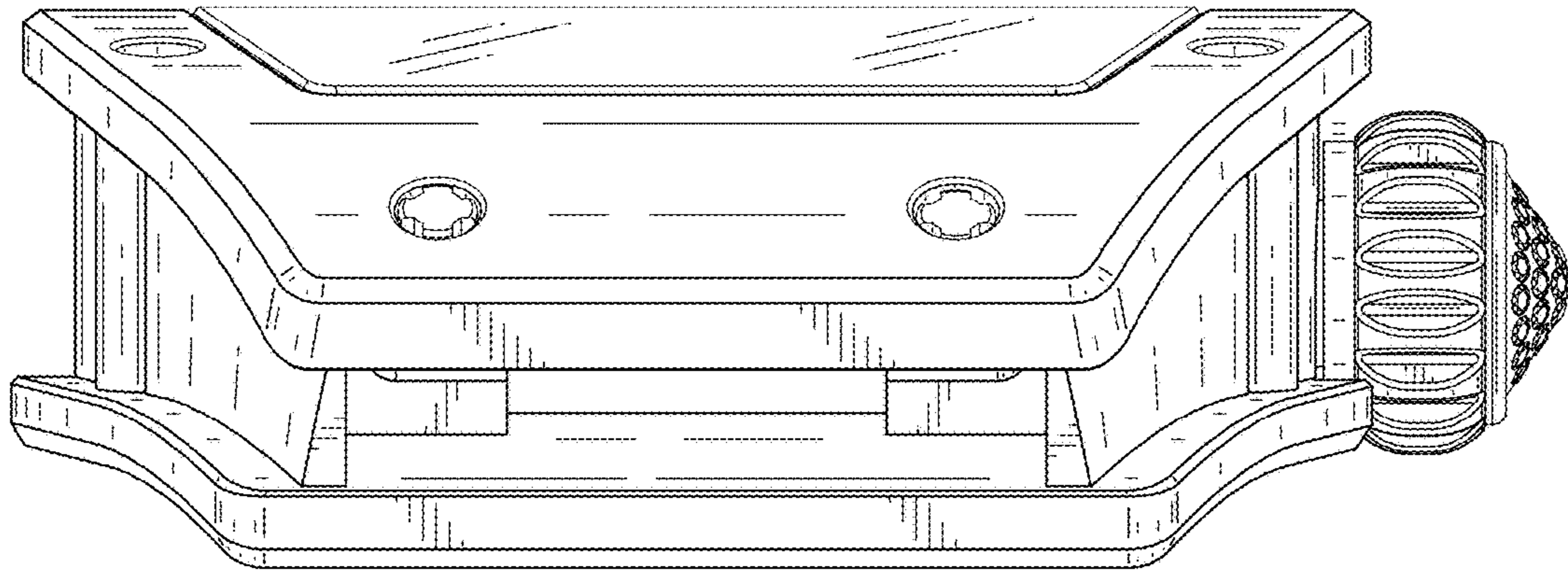


FIG. 9

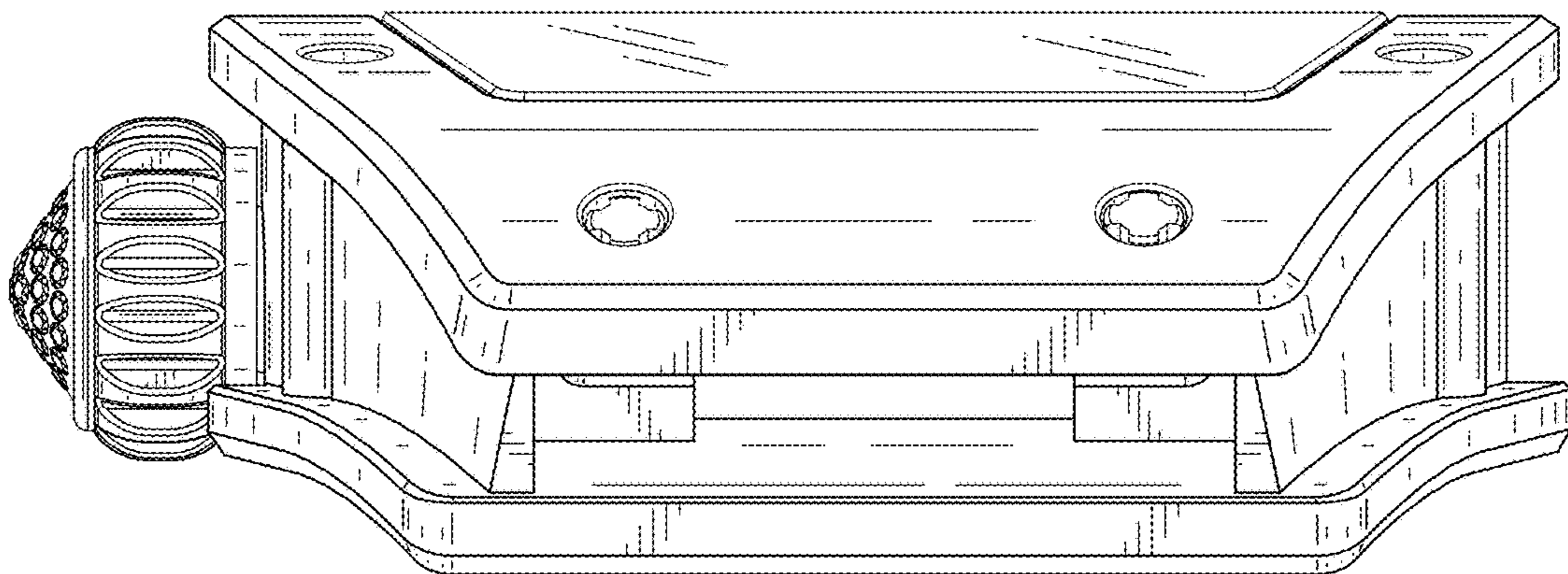


FIG. 10