



US00D868598S

(12) **United States Design Patent** (10) **Patent No.:** **US D868,598 S**
Gurtner (45) **Date of Patent:** **** Dec. 3, 2019**

(54) **WATCH CASE**
(71) Applicant: **Richemont International SA,**
Villars-sur-Glane (CH)
(72) Inventor: **Julien Gurtner,** Schaffhausen (CH)
(73) Assignee: **Richemont International SA,**
Villars-sur-Glane (CH)

D668,557 S * 10/2012 Goto D10/32
D672,665 S * 12/2012 Deleskiewicz D10/38
D676,338 S * 2/2013 Jacquerye D10/39
D677,595 S * 3/2013 Hinskens D10/128
D730,201 S * 5/2015 Giannini D10/39
D730,751 S * 6/2015 Belamich D10/126
D759,512 S * 6/2016 Belamich D10/126

(Continued)

(**) Term: **15 Years**

(21) Appl. No.: **29/610,551**

(22) Filed: **Jul. 13, 2017**

(51) **LOC (12) Cl.** **10-02**

(52) **U.S. Cl.**
USPC **D10/39**

(58) **Field of Classification Search**
USPC D10/30-39, 42, 122-124, 126, 128;
D11/3; D14/344; D99/28, 99; D24/167,
D24/186
See application file for complete search history.

(56) **References Cited**

U.S. PATENT DOCUMENTS

D74,780 S * 3/1928 Clark D10/127
D84,635 S * 7/1931 Florman D10/127
D397,042 S * 8/1998 Riley D10/30
6,385,134 B1 * 5/2002 Lange G01L 19/16
368/11
D500,452 S * 1/2005 Itsubo D10/39
D539,669 S * 4/2007 Vaptzarof D10/31
D545,696 S * 7/2007 Dornier D10/32
D559,131 S * 1/2008 Laucella D10/39
D576,055 S * 9/2008 Vaptzarof D10/39
D611,843 S * 3/2010 Jorst D10/39
D611,865 S * 3/2010 Loth D10/126
D616,310 S * 5/2010 Loth D10/32
7,778,115 B2 * 8/2010 Ruchonnet G01L 7/163
368/101
D623,542 S * 9/2010 Fontana D10/39
D667,316 S * 9/2012 Tonohori D10/32

OTHER PUBLICATIONS

The IWC Ingenieur Chronograph Sport Edition | thewatchquote.com May 30, 2017 [visited Jun. 14, 2018]. <http://www.thewatchquote.com/The-IWC-Ingenieur-Chronograph-Sport-Edition-50th-Anniversary-of-Mercedes-AMG-watch-IWC-unveils-special-edition-to-celebrate-the-50th-Anniversary-of-Mercedes-AMG-No_11619.htm> (Year: 2017).*

(Continued)

Primary Examiner — Sandra S Snapp
Assistant Examiner — Katherine Glennon
(74) *Attorney, Agent, or Firm* — Taft Stettinius & Hollister LLP

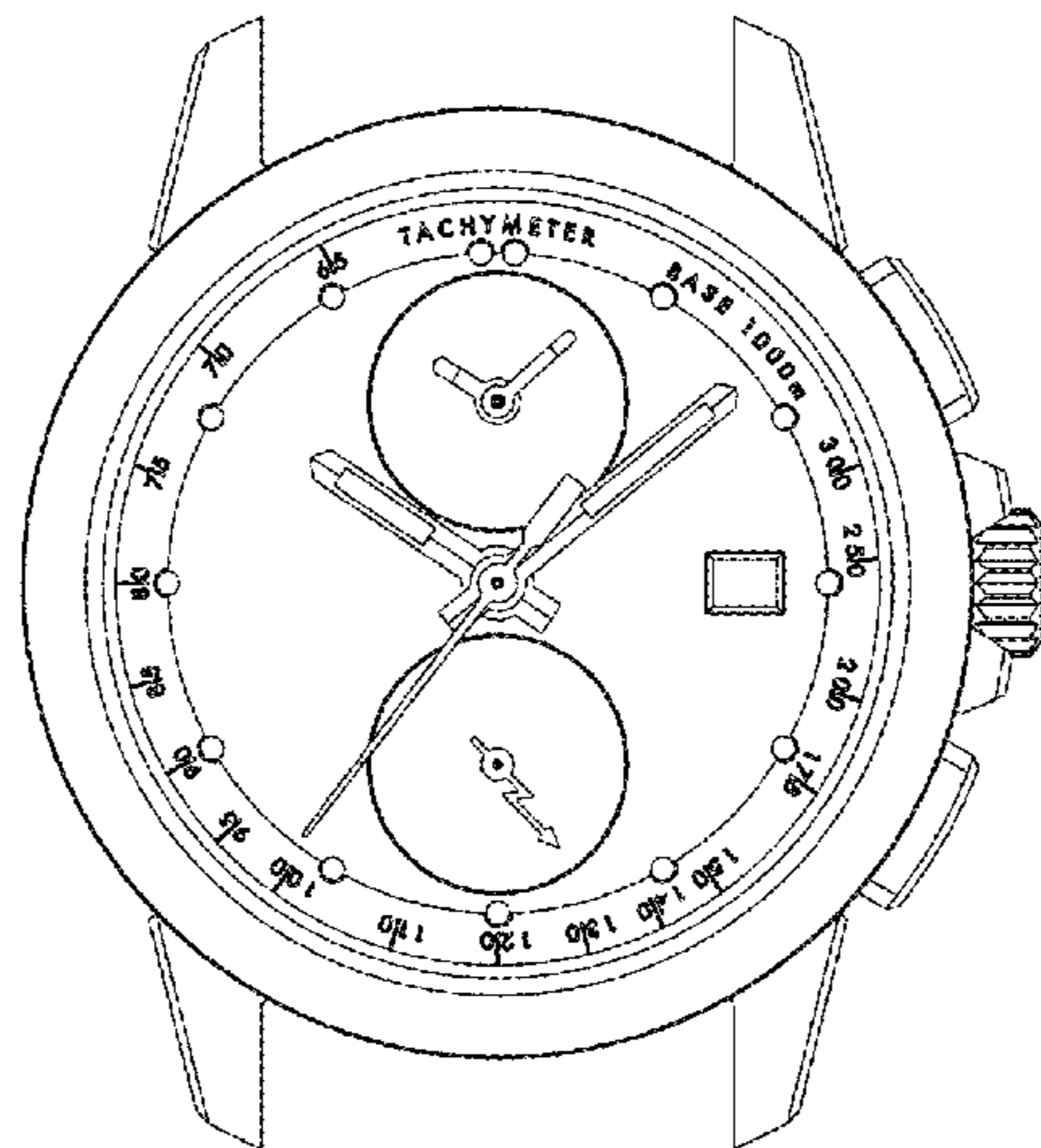
(57) **CLAIM**

The ornamental design for a watch case, as shown and described.

DESCRIPTION

FIG. 1 is a front elevational view of a watch case showing my new design;
FIG. 2 is a back elevational view thereof;
FIG. 3 is a top plan view thereof;
FIG. 4 is a bottom plan view thereof;
FIG. 5 is a left side elevational view thereof;
FIG. 6 is a right side elevational view thereof; and,
FIG. 7 is a front, right side perspective view thereof.
The broken lines in the drawing figures depict unclaimed subject matter that forms no part of the claimed design.

1 Claim, 2 Drawing Sheets



(56)

References Cited

U.S. PATENT DOCUMENTS

D759,513 S * 6/2016 Belamich D10/126
9,665,070 B2 * 5/2017 Dordor G04C 17/0058
D815,547 S * 4/2018 Plange D10/30

OTHER PUBLICATIONS

IWC Ingenieur Chronograph | posted at watchesbysjx.com Mar. 2016 © 2011-2018 [online][site visited Jun. 14, 2018]. Available from Internet: <<http://watchesbysjx.com/2016/03/iwc-introduces-the-restyled-ingenieur-chronograph-and-a-brand-new-in-house-movement.html>> (Year: 2016).*

Eterna Royal Kon Tiki Chronograph Watch | posted at ablogtowatch.com Dec. 2015 © 2007-2018 aBlogtoWatch [online][site visited Jun. 18, 2018]. Available from internet: <<https://www.ablogtowatch.com/eterna-royal-kontiki-chronograph-watch/>> (Year: 2015).*

Swatch Autoquartz Watch | posted at equationoftime.com Dec. 2008 © 2018 vBulletin Solutions, Inc [online][site visited Jun. 19, 2018]. Available from Internet: <<http://www.equationoftime.com/forums/forum/equation-of-time-forums/watch-discussion/17806-incoming>> (Year: 2008).*

IWCs 2017 Ingenieur Collection | posted at revolution.watch.com Mar. 19, 2017 © 2007-2018 [online][site visited Jun. 14, 2018]. Available from internet: <<https://www.revolution.watch/introducing-iwcs-2017-ingenieur-collection/?archive>> (Year: 2017).*

* cited by examiner

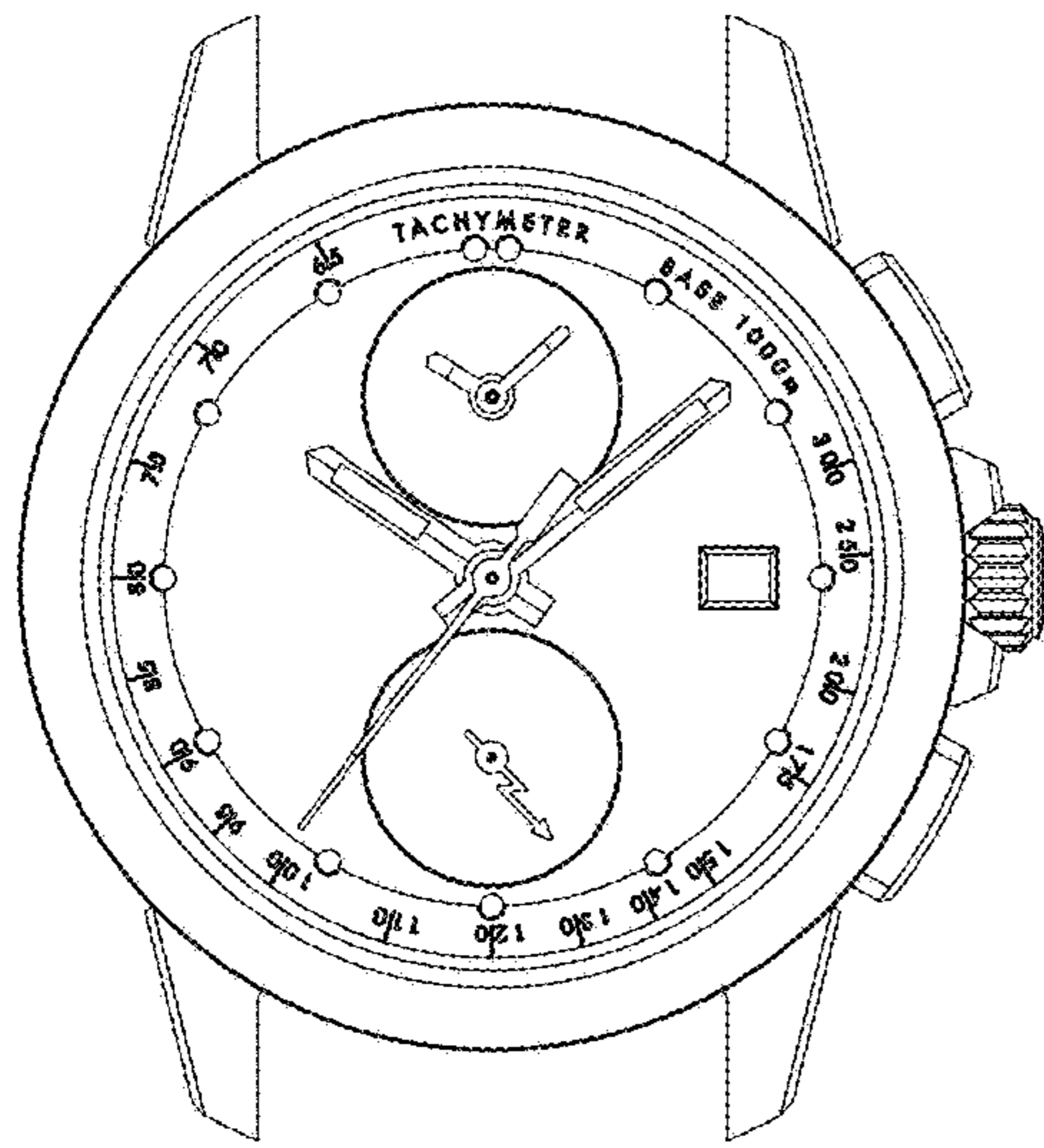


Fig. 1

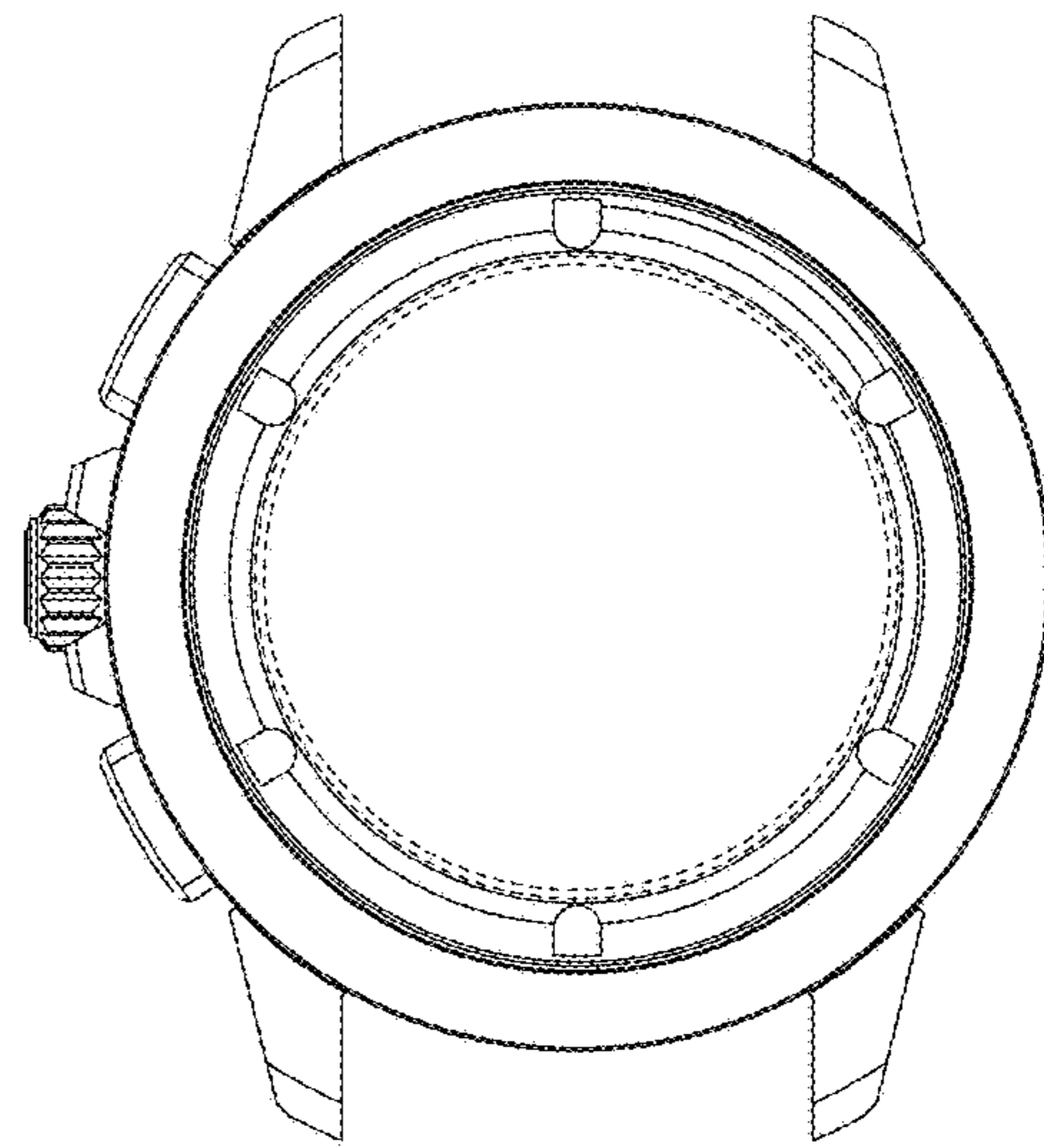


Fig. 2

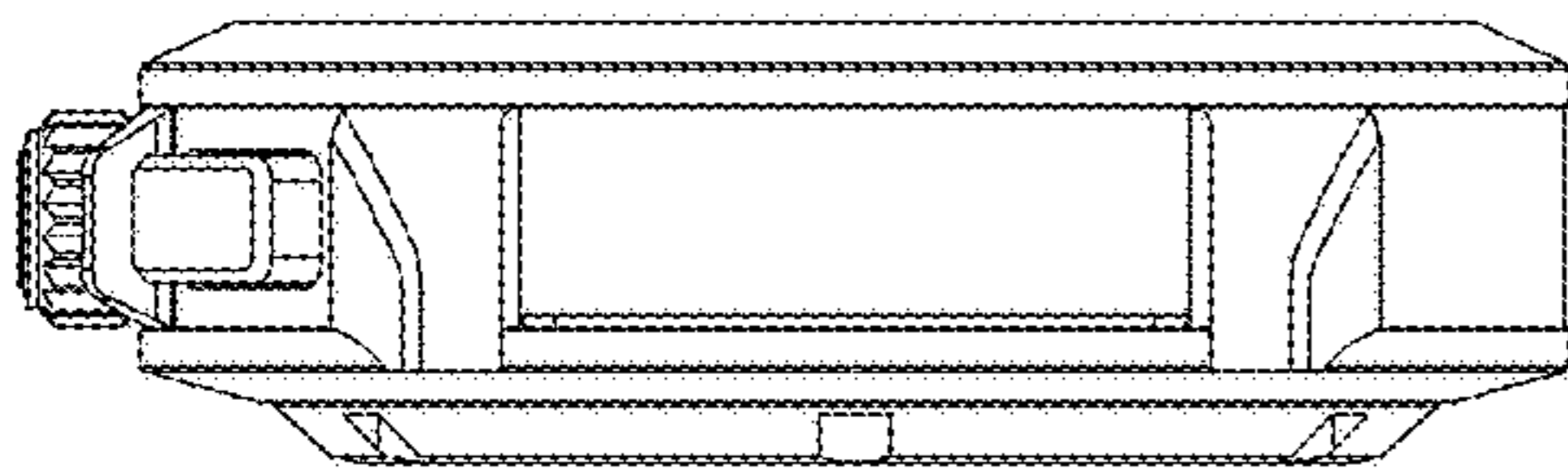


Fig. 3

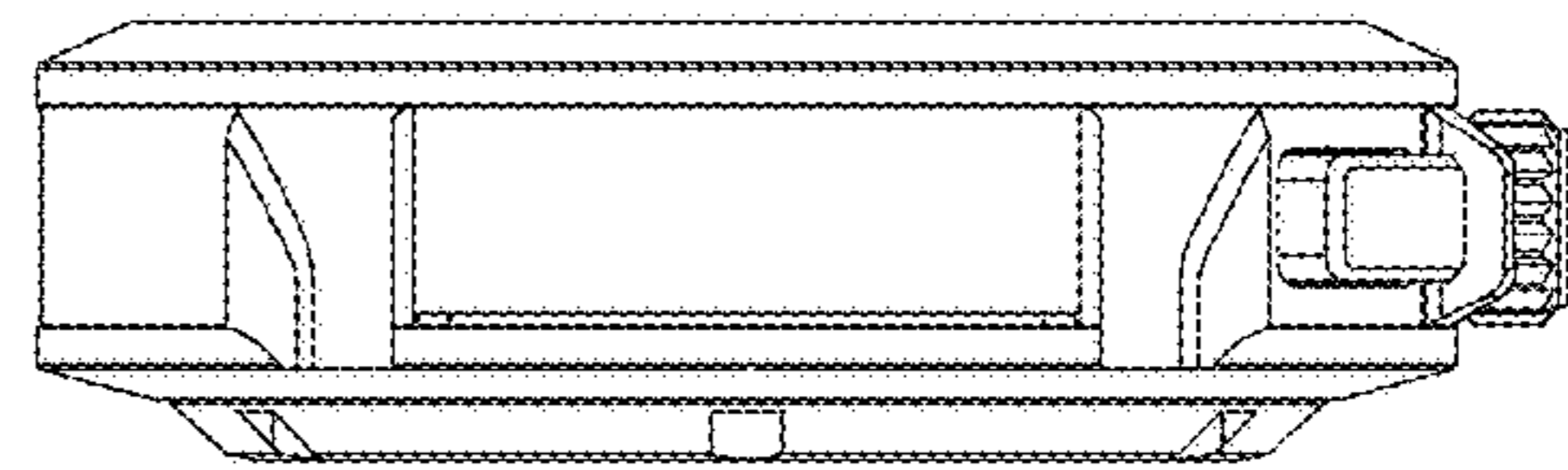


Fig. 4

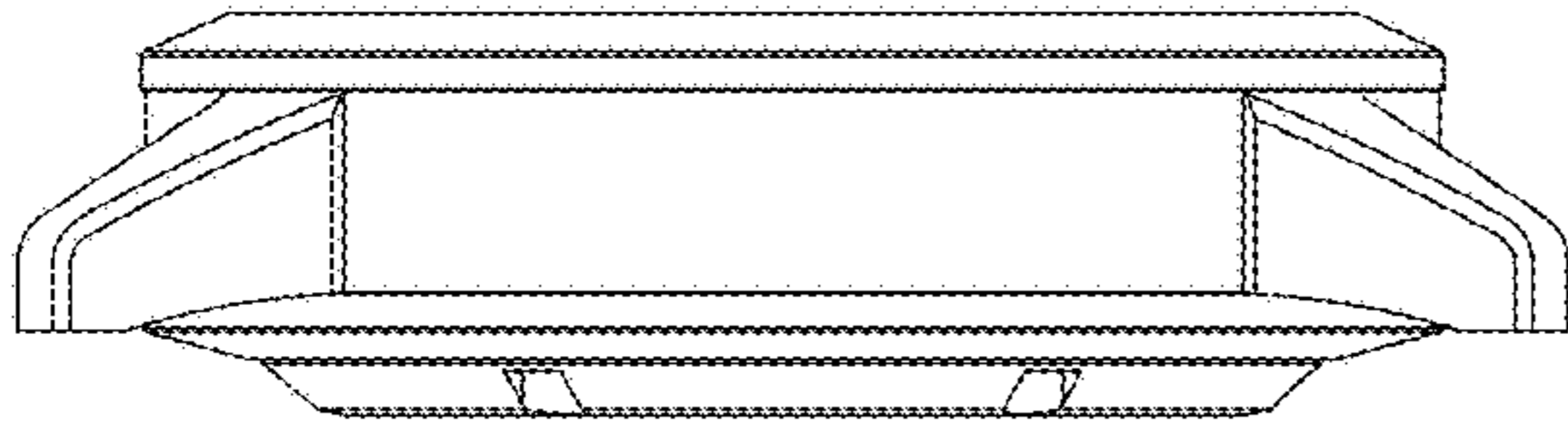


Fig. 5

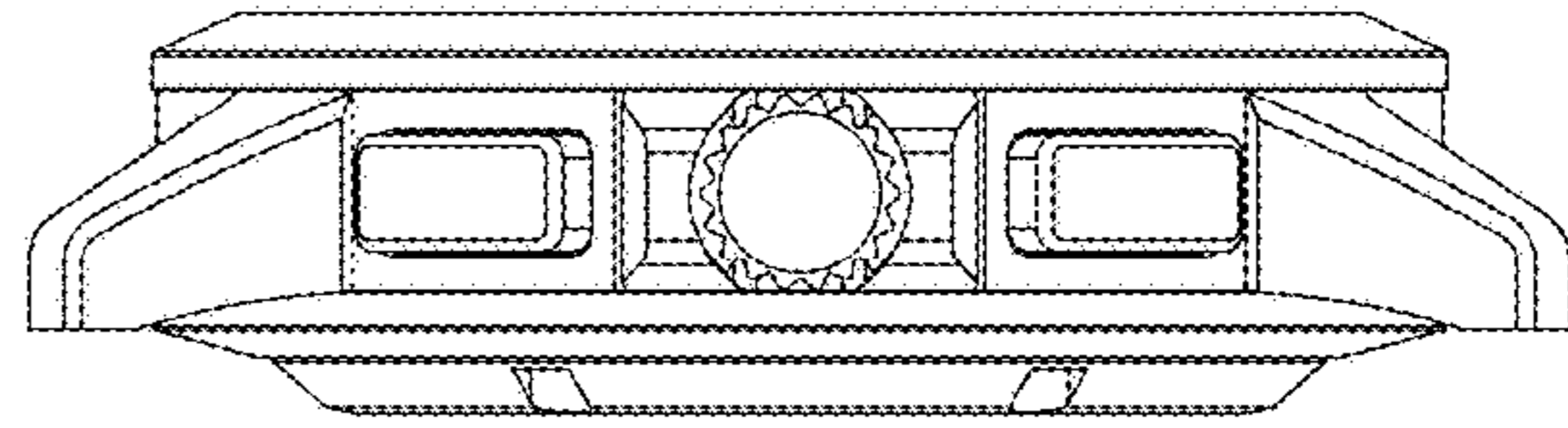


Fig. 6

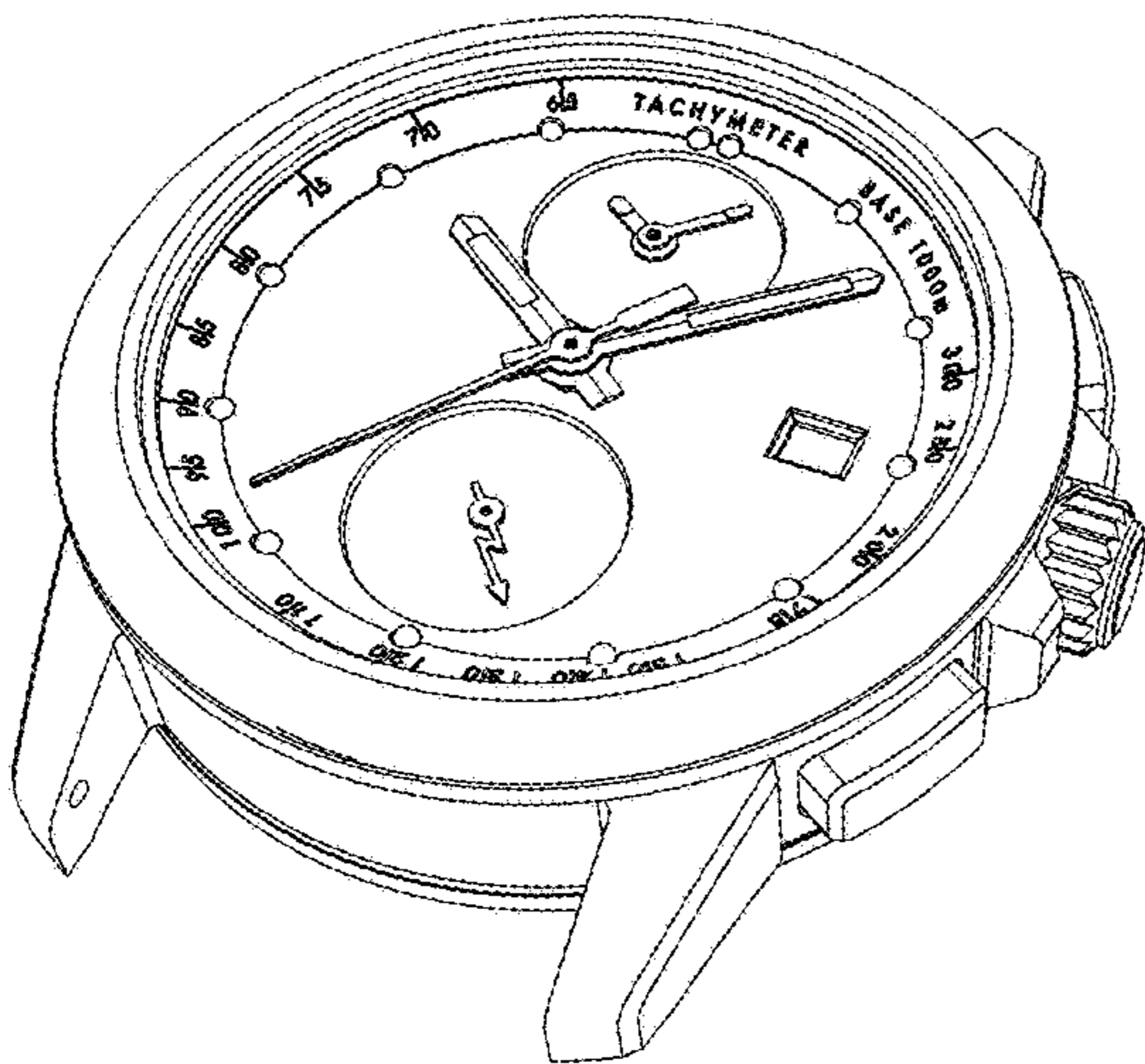


Fig. 7