



US00D868597S

(12) **United States Design Patent**
Behling

(10) **Patent No.:** **US D868,597 S**

(45) **Date of Patent:** **** Dec. 3, 2019**

- (54) **WATCH CASE WITH DIAL**
- (71) Applicant: **LVMH Swiss Manufactures SA**, La Chaux-de-Fonds (CH)
- (72) Inventor: **Christoph Behling**, London (GB)
- (**) Term: **15 Years**
- (21) Appl. No.: **35/505,827**
- (22) Filed: **Jun. 19, 2018**
- (80) **Hague Agreement Data**
 Int. Filing Date: **Jun. 19, 2018**
 Int. Reg. No.: **DM/103000**
 Int. Reg. Date: **Jun. 19, 2018**
 Int. Reg. Pub. Date: **Oct. 5, 2018**
- (30) **Foreign Application Priority Data**
 Jan. 12, 2018 (WO) DM/099237
- (51) **LOC (12) Cl.** **10-02**
- (52) **U.S. Cl.**
 USPC **D10/30**
 CPC **G04B 19/06** (2013.01)
- (58) **Field of Classification Search**
 USPC D10/1, 17, 22, 30-39, 122-132; D11/3, D11/12, 19, 21
 CPC G04B 19/06; G04B 19/10
 See application file for complete search history.

- (56) **References Cited**
 U.S. PATENT DOCUMENTS
 D438,473 S * 3/2001 Dumas D10/39
 D445,343 S * 7/2001 Schneider D10/30
 D517,432 S * 3/2006 Laucella D10/39
 D562,704 S * 2/2008 Lalo D10/32
 D563,802 S * 3/2008 Loth D10/39
 D565,431 S * 4/2008 Hatt D10/38
 D565,987 S * 4/2008 Krieger D10/126

- D566,581 S * 4/2008 Giannini D10/32
- D568,178 S * 5/2008 Giannini D10/32
- D571,230 S * 6/2008 Krieger D10/39
- D573,488 S * 7/2008 Sanz D10/39
- D574,733 S * 8/2008 Blair D10/32
- D582,792 S * 12/2008 Lalo D10/38
- D586,668 S * 2/2009 Dias D10/38
- D589,378 S * 3/2009 Takahashi D10/32
- D605,533 S * 12/2009 Schoepfer D10/38
- D609,584 S * 2/2010 Lalo D10/32
- D609,587 S * 2/2010 Lalo D10/38
- D636,692 S * 4/2011 Pospieszny D10/129
- D655,630 S * 3/2012 Behling D10/38
- D666,924 S * 9/2012 Ahlstrom D10/32
- D666,925 S * 9/2012 Ahlstrom D10/32
- D672,664 S * 12/2012 Monachon D10/32
- D677,176 S * 3/2013 Ruffieux D10/39
- D678,082 S * 3/2013 Mille D10/39
- D682,713 S * 5/2013 Vaptzarof D10/39
- D686,092 S * 7/2013 Schoepfer D10/39
- D692,322 S * 10/2013 Behling D10/39
- D720,240 S * 12/2014 Takahashi D10/39
- D724,446 S * 3/2015 Favre D10/124
- D724,464 S * 3/2015 Behling D10/126
- D724,962 S * 3/2015 Vaptzarof D10/39
- D731,327 S * 6/2015 Schoepfer D10/39

(Continued)

Primary Examiner — Richard E Chilcot

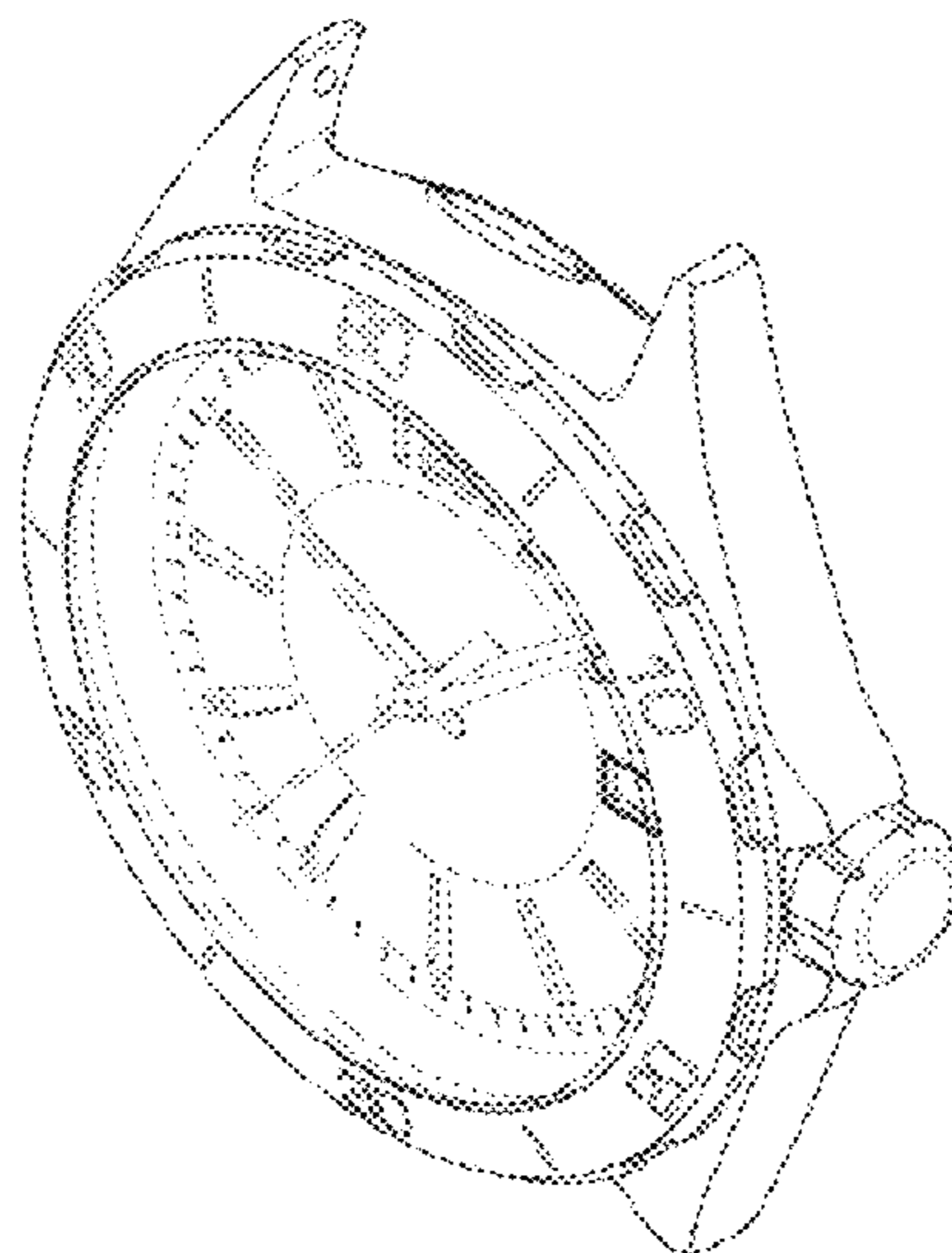
(57) **CLAIM**

The ornamental design for a watch case with dial, as shown and described.

DESCRIPTION

- 1. Watch case with dial
- 1.1 is a top view of watch case with dial showing my new design;
- 1.2 is a bottom view thereof;
- 1.3 is a perspective view thereof;
- 1.4 is a front view thereof;
- 1.5 is a back view thereof;
- 1.6 is a right view thereof; and,
- 1.7 is a left view thereof.

1 Claim, 7 Drawing Sheets



(56)

References Cited

U.S. PATENT DOCUMENTS

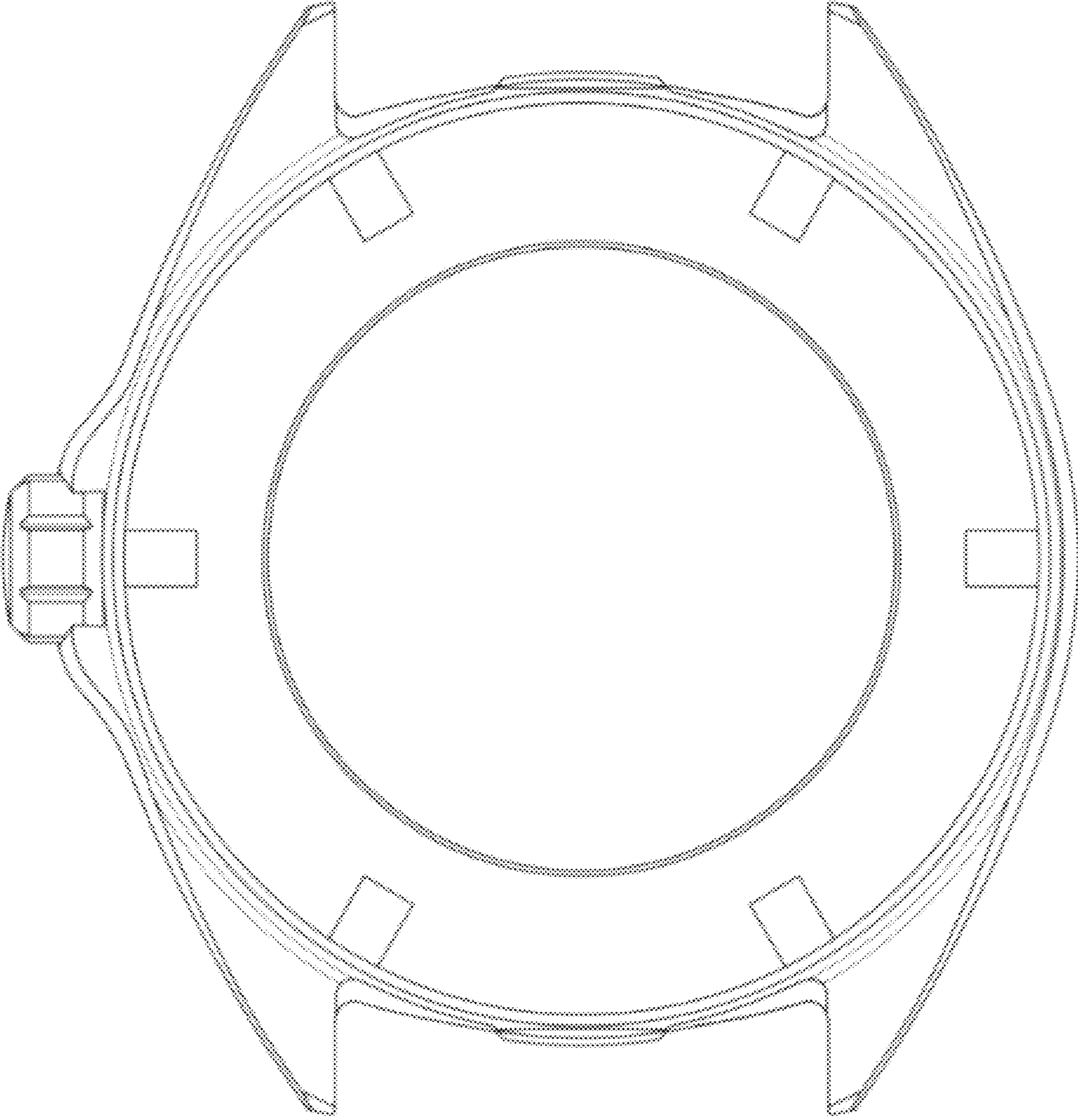
D732,981	S	*	6/2015	Waecker	D10/38
D736,655	S	*	8/2015	Monachon	D10/126
D740,695	S	*	10/2015	Waecker	D10/38
D742,762	S	*	11/2015	Syoubayashi	D10/126
D744,863	S	*	12/2015	Behling	D10/126
D745,834	S	*	12/2015	Behling	D10/126
D747,982	S	*	1/2016	Miodrag	D10/124
D756,245	S	*	5/2016	Mille	D10/126
D769,736	S	*	10/2016	Behling	D10/30
D769,762	S	*	10/2016	Behling	D10/126
D772,728	S	*	11/2016	Nicotra	D10/32
D781,722	S	*	3/2017	Behling	D10/38
D784,829	S	*	4/2017	Kita	D10/38
D786,704	S	*	5/2017	Behling	D10/38
D793,871	S	*	8/2017	Lasserre	D10/30
D800,578	S	*	10/2017	Behling	D10/30
D815,547	S	*	4/2018	Plange	D10/30
D817,194	S	*	5/2018	Monachon	D10/39
D821,891	S	*	7/2018	Parmigiani	D10/30
D828,185	S	*	9/2018	Savolainen	D10/38
D836,008	S	*	12/2018	Schoepfer	D10/39
D843,233	S	*	3/2019	Torre	D10/39
D847,665	S	*	5/2019	Behling	D10/39
D848,865	S	*	5/2019	Behling	D10/32
D848,866	S	*	5/2019	Behling	D10/39
D850,292	S	*	6/2019	Dicks	D10/30
D850,295	S	*	6/2019	Behling	D10/39
D850,936	S	*	6/2019	Behling	D10/32
2015/0205263	A1	*	7/2015	Momose	G04B 19/06 368/232

* cited by examiner

1.1



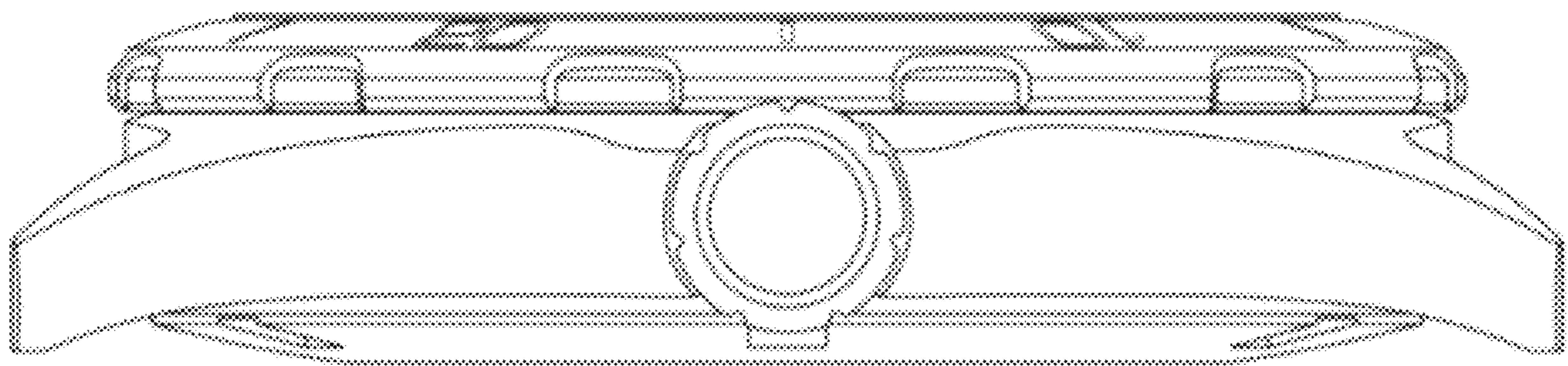
1.2



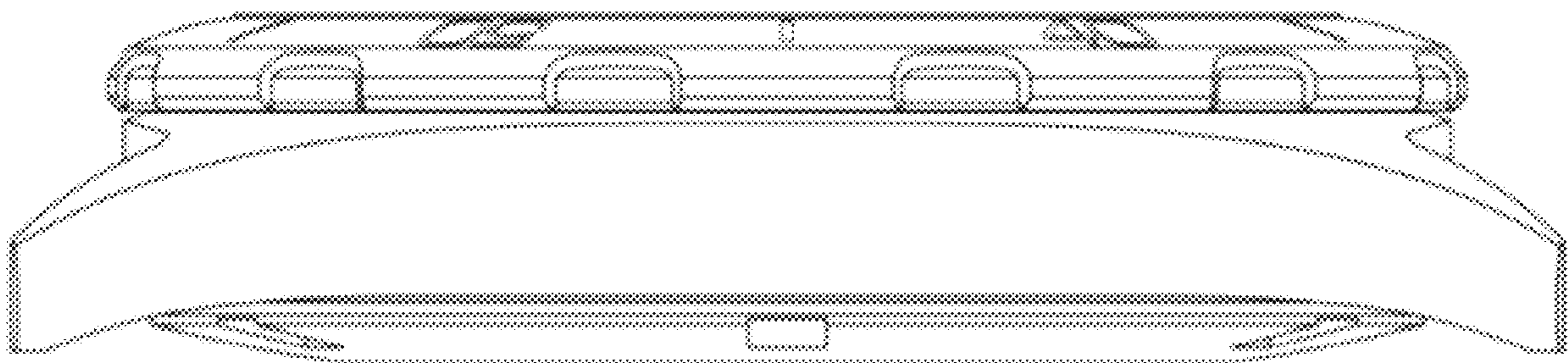
1.3



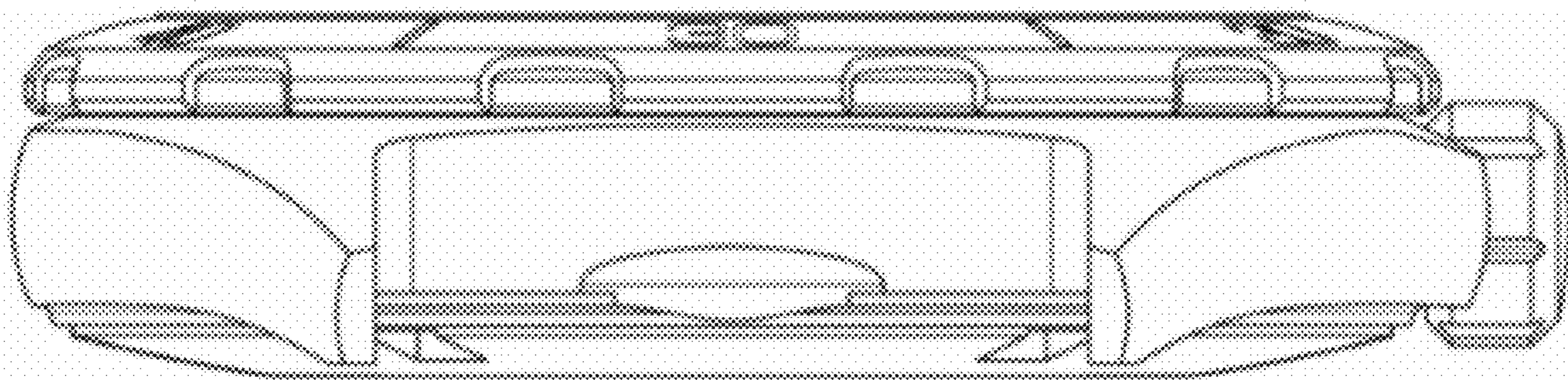
1.4



1.5



1.6



1.7

