



US00D868593S

(12) **United States Design Patent**  
**Sheerin et al.**

(10) **Patent No.:** **US D868,593 S**

(45) **Date of Patent:** **\*\* Dec. 3, 2019**

(54) **POUCH AND CLEANING COMPOSITION**

D833,068 S 11/2018 Sunder  
D838,038 S 1/2019 Tarnowsky  
D841,237 S 2/2019 Eggemeyer et al.

(71) Applicant: **S. C. Johnson & Son, Inc.**, Racine, WI (US)

\* cited by examiner

(72) Inventors: **Shabistan Sheerin**, Mequon, WI (US);  
**Douglas A. Soller**, Racine, WI (US);  
**Neil Kwiatkowski**, Queens, NY (US);  
**James Krause**, Astoria, NY (US);  
**Charles Paradise**, Brooklyn, NY (US);  
**Mason Umholtz**, Brooklyn, NY (US)

*Primary Examiner* — Abraham Bahta

(57) **CLAIM**

The ornamental design for a pouch and cleaning composition, as shown and described.

**DESCRIPTION**

(73) Assignee: **S. C. Johnson & Son, Inc.**, Racine, WI (US)

FIG. 1 is a top, front, right perspective view of a pouch and cleaning composition showing our new design;

(\*\*) Term: **15 Years**

FIG. 2 is a top view thereof;

(21) Appl. No.: **29/648,758**

FIG. 3 is a bottom view thereof;

(22) Filed: **May 23, 2018**

FIG. 4 is a rear view thereof;

(51) **LOC (12) Cl.** ..... **09-05**

FIG. 5 is a front view thereof;

(52) **U.S. Cl.**

FIG. 6 is a left side view thereof;

USPC ..... **D9/707**; D28/8.1

FIG. 7 is a right side view thereof;

(58) **Field of Classification Search**

FIG. 8 is a top, front, right perspective view of a first alternative claimed configuration of a pouch and cleaning composition showing our new design;

USPC ..... D9/702-714, 414-416, 428, 421,  
D9/424-426, 430-432, 759; D28/4-8,  
D28/8.1-8.2

FIG. 9 is a top view thereof;

CPC ..... C11D 17/0065-17/0091; C11D  
17/00-17/0039; C11D 17/04-17/047

FIG. 10 is a bottom view thereof;

See application file for complete search history.

FIG. 11 is a rear view thereof;

FIG. 12 is a front view thereof;

FIG. 13 is a left side view thereof; and,

FIG. 14 is a right side view thereof.

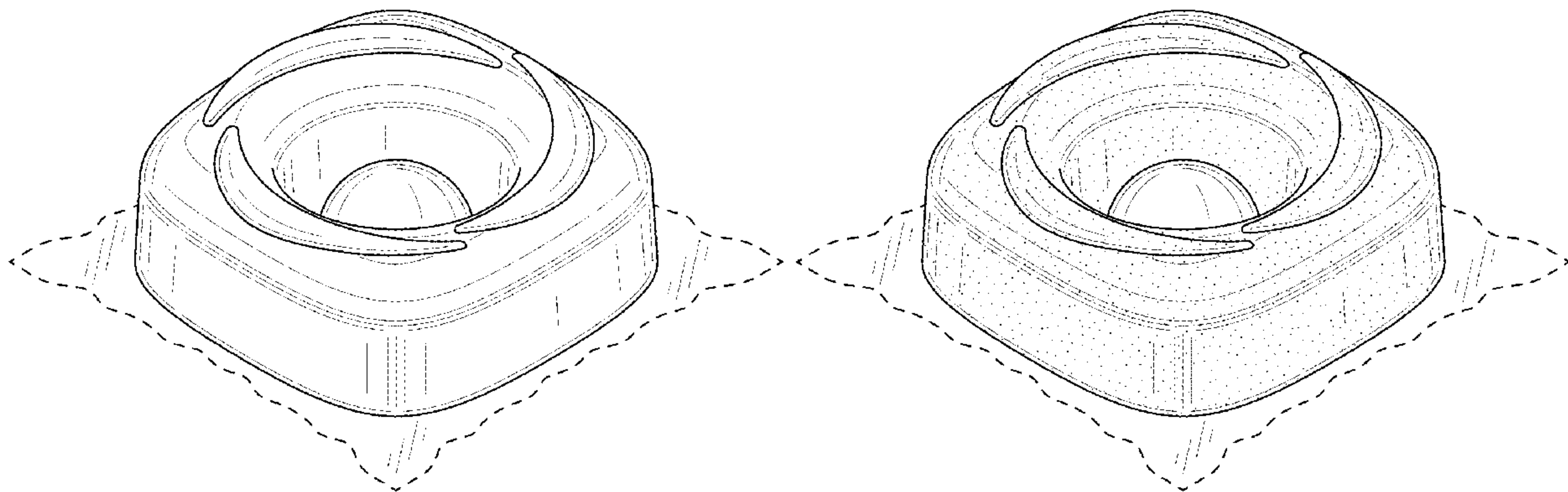
The broken lines immediately adjacent to the shaded area define the bounds of the claimed design and form no part thereof. The broken lines depicting the remainder of the pouch and cleaning composition show features that form no part of the claimed design. The contrast in shading represents a contrast in appearance only and does not represent any particular color, material, texture or finish.

(56) **References Cited**

**U.S. PATENT DOCUMENTS**

D478,394 S \* 8/2003 McLeish ..... D28/8.1  
D732,735 S \* 6/2015 Nixon ..... D28/8.1  
D821,029 S 6/2018 Crivolio et al.  
D825,847 S 8/2018 Wissmann  
D829,984 S 10/2018 Gerhards et al.

**1 Claim, 8 Drawing Sheets**



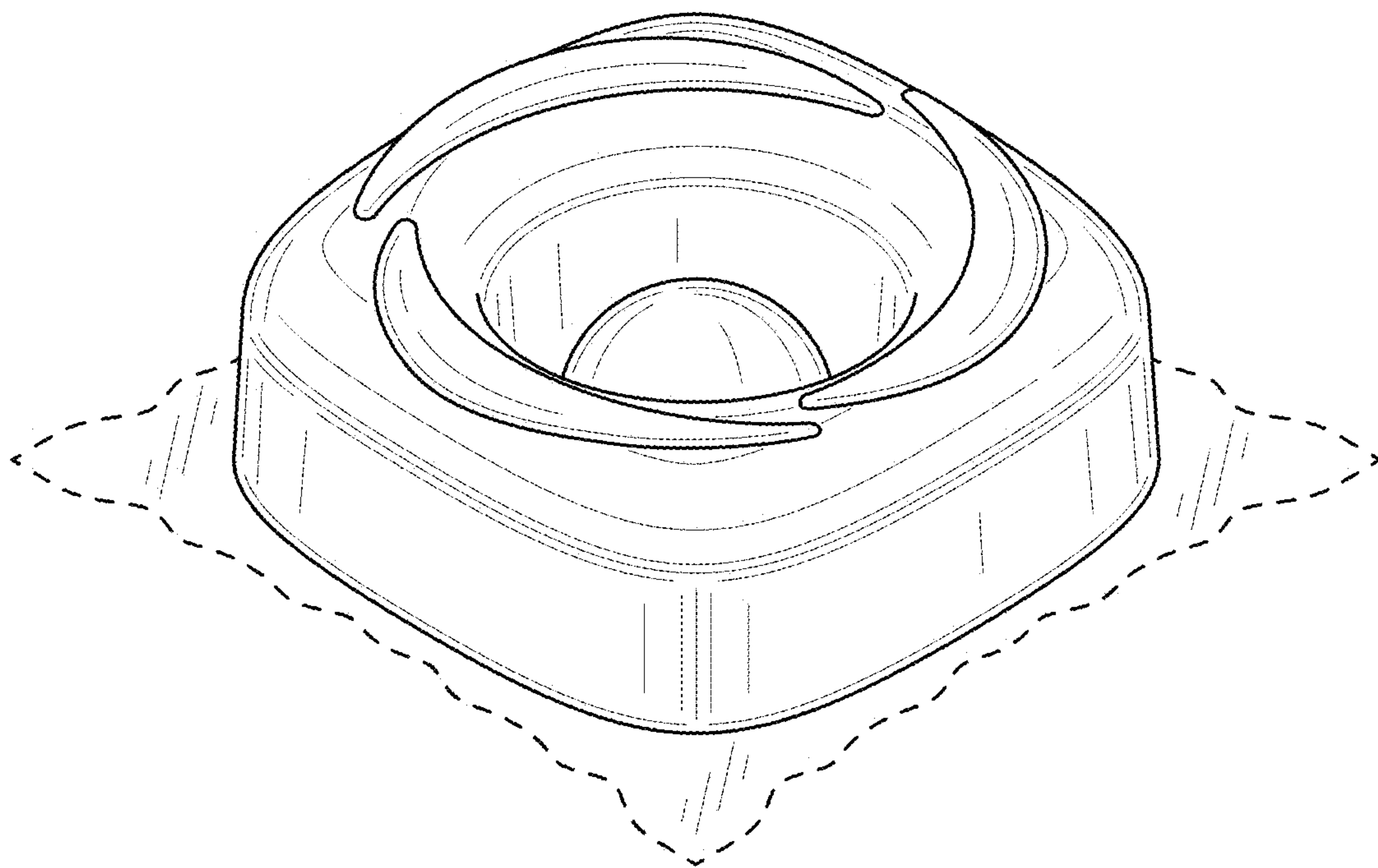


FIG. 1

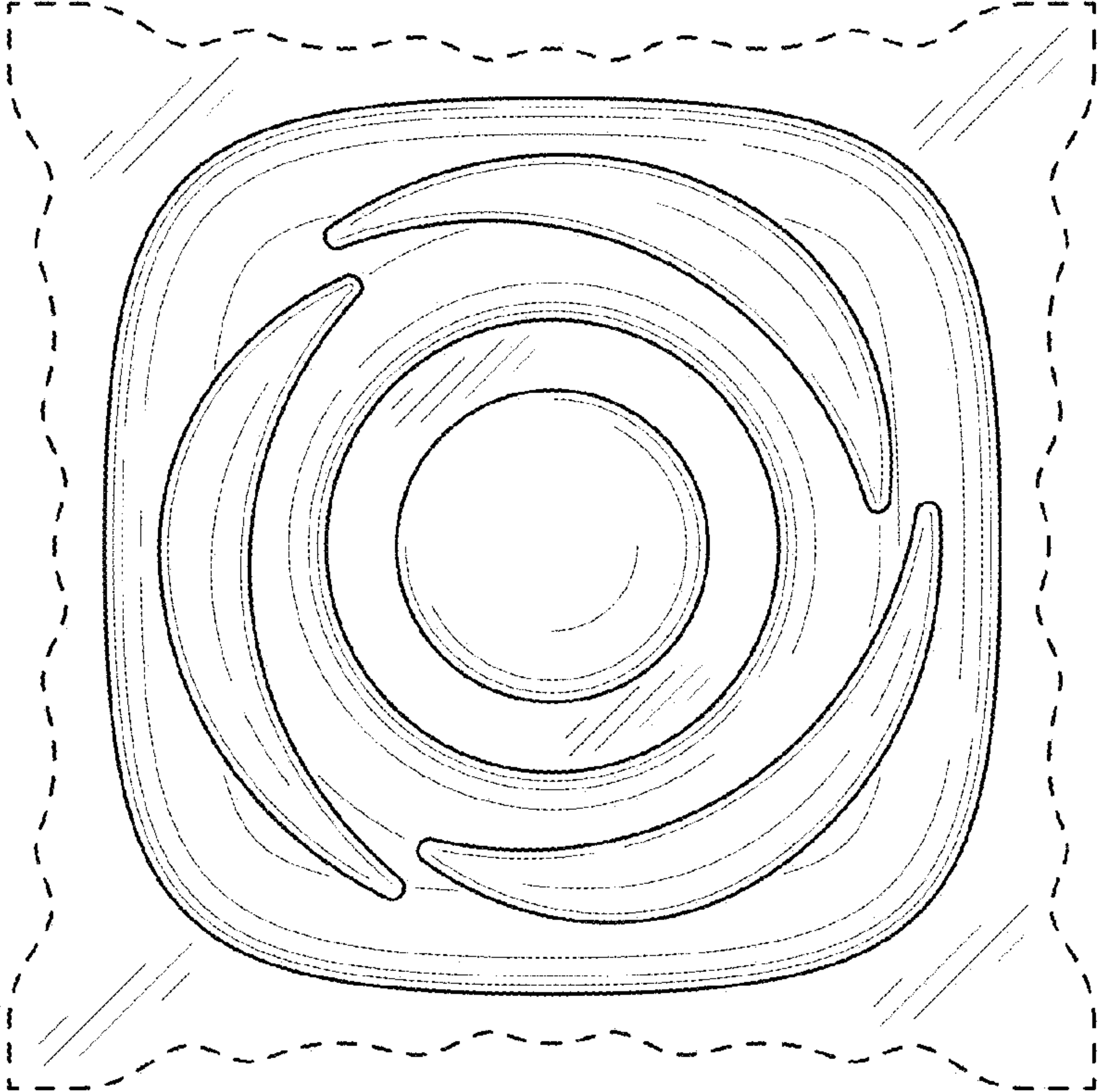


FIG. 2

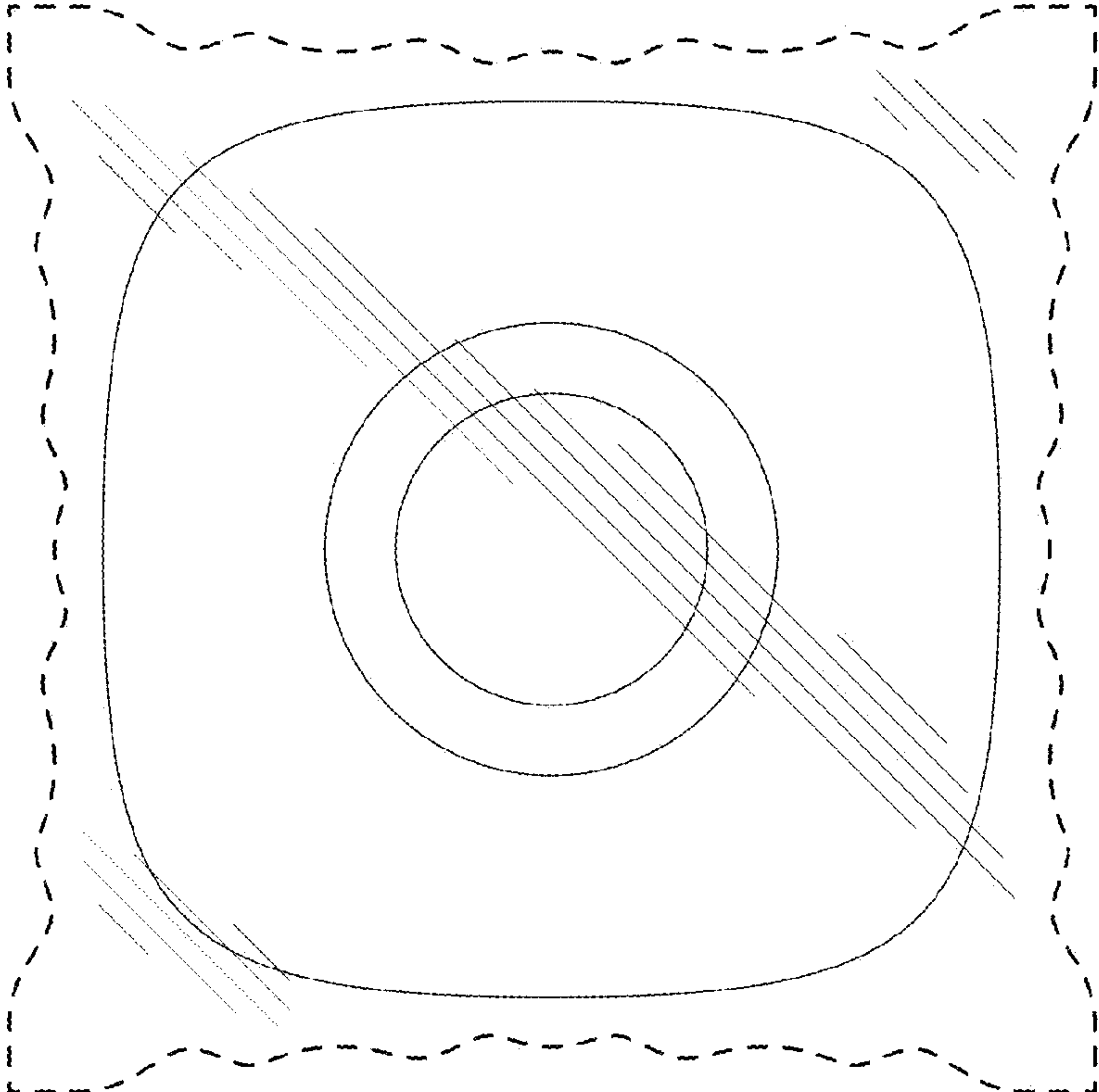


FIG. 3

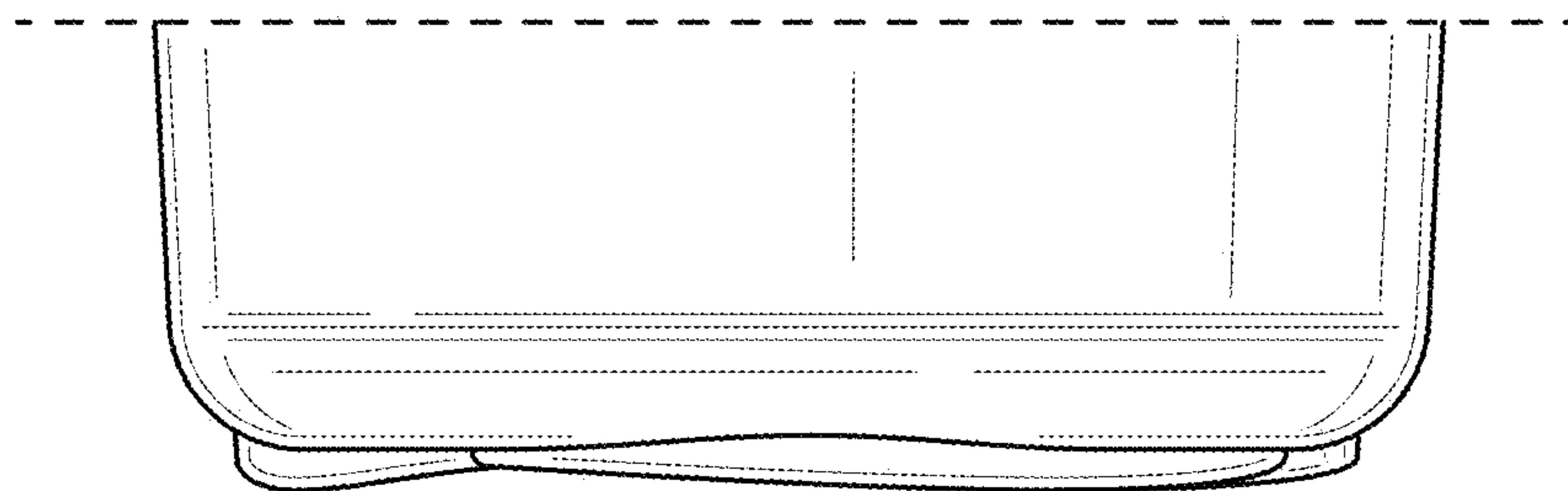


FIG. 4

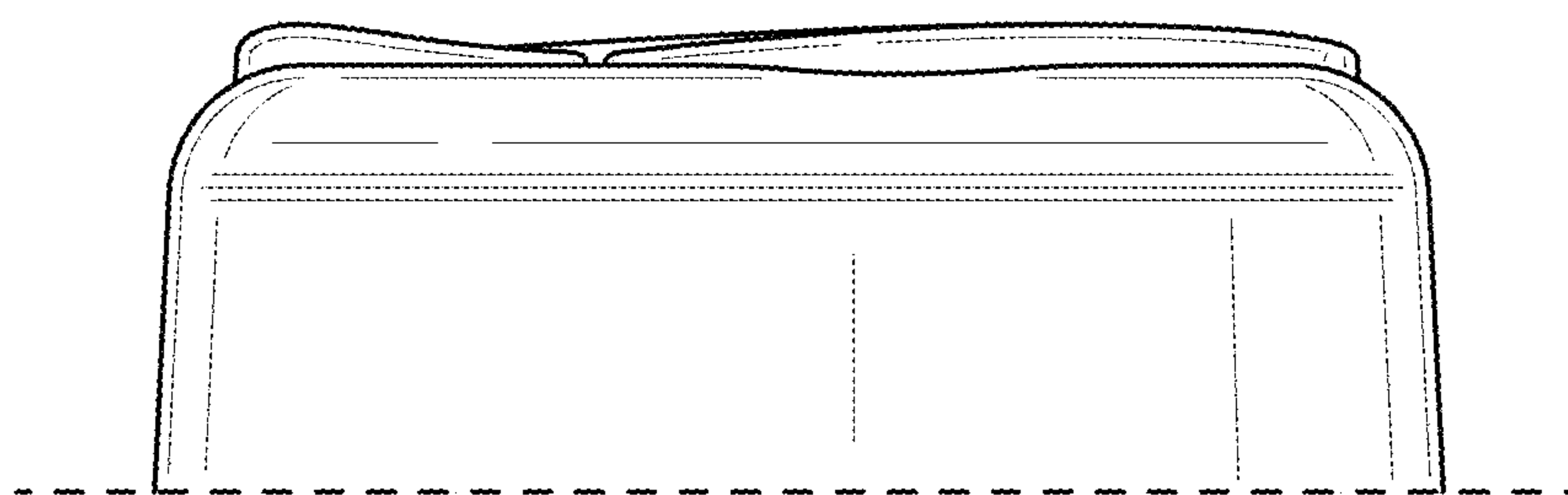


FIG. 5



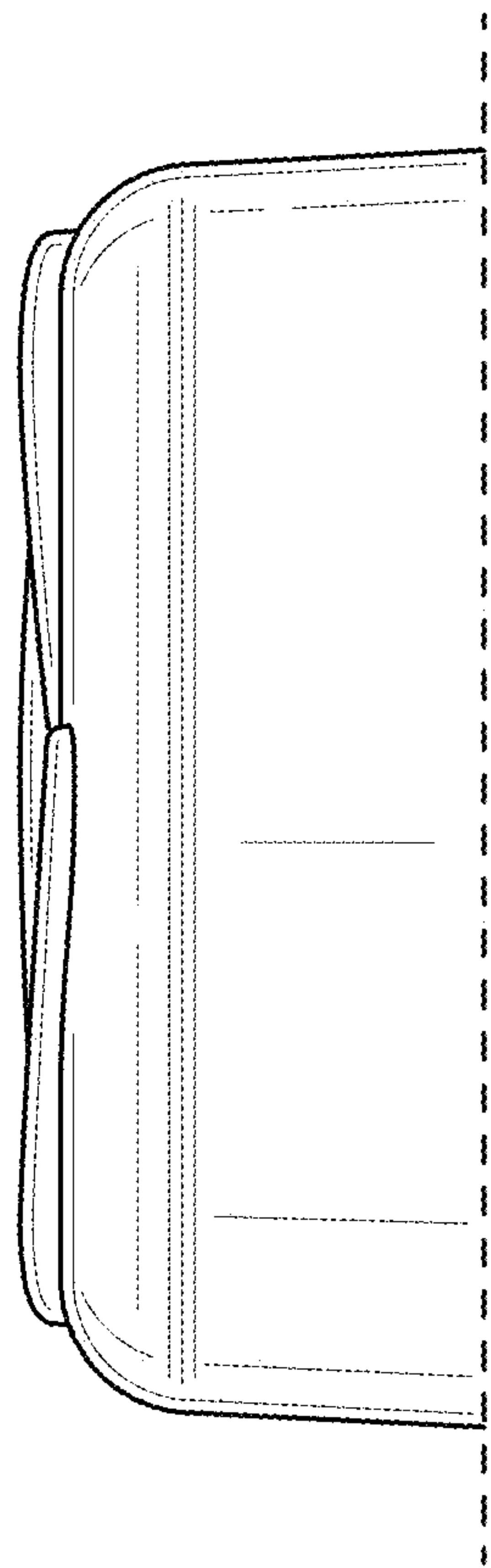


FIG. 6

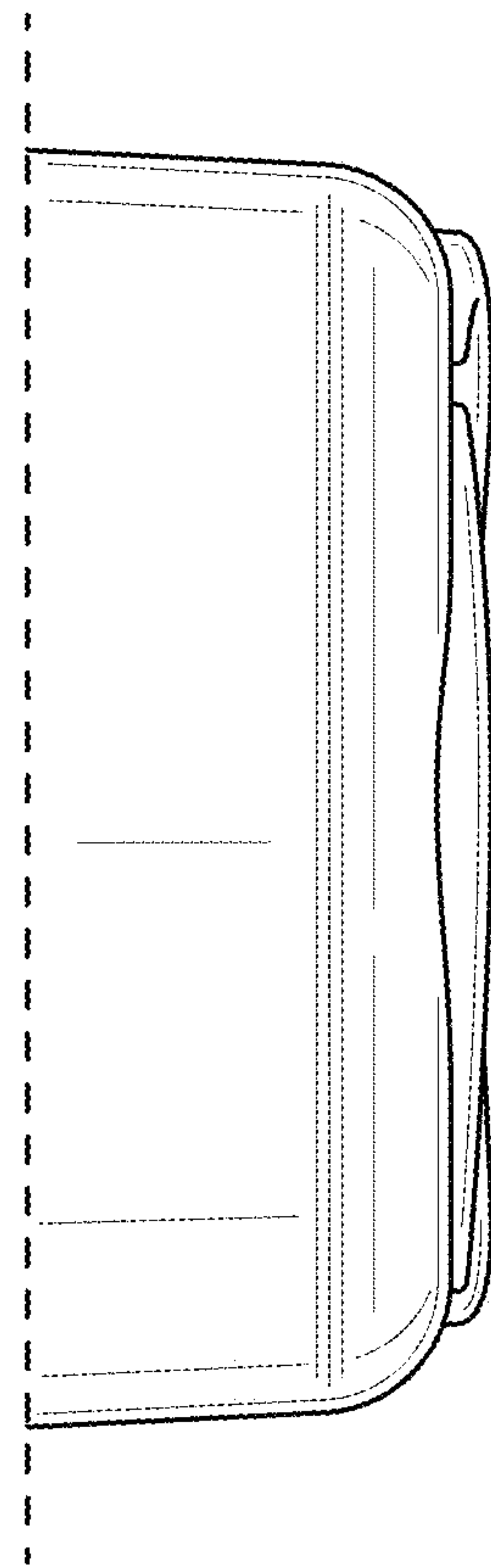


FIG. 7

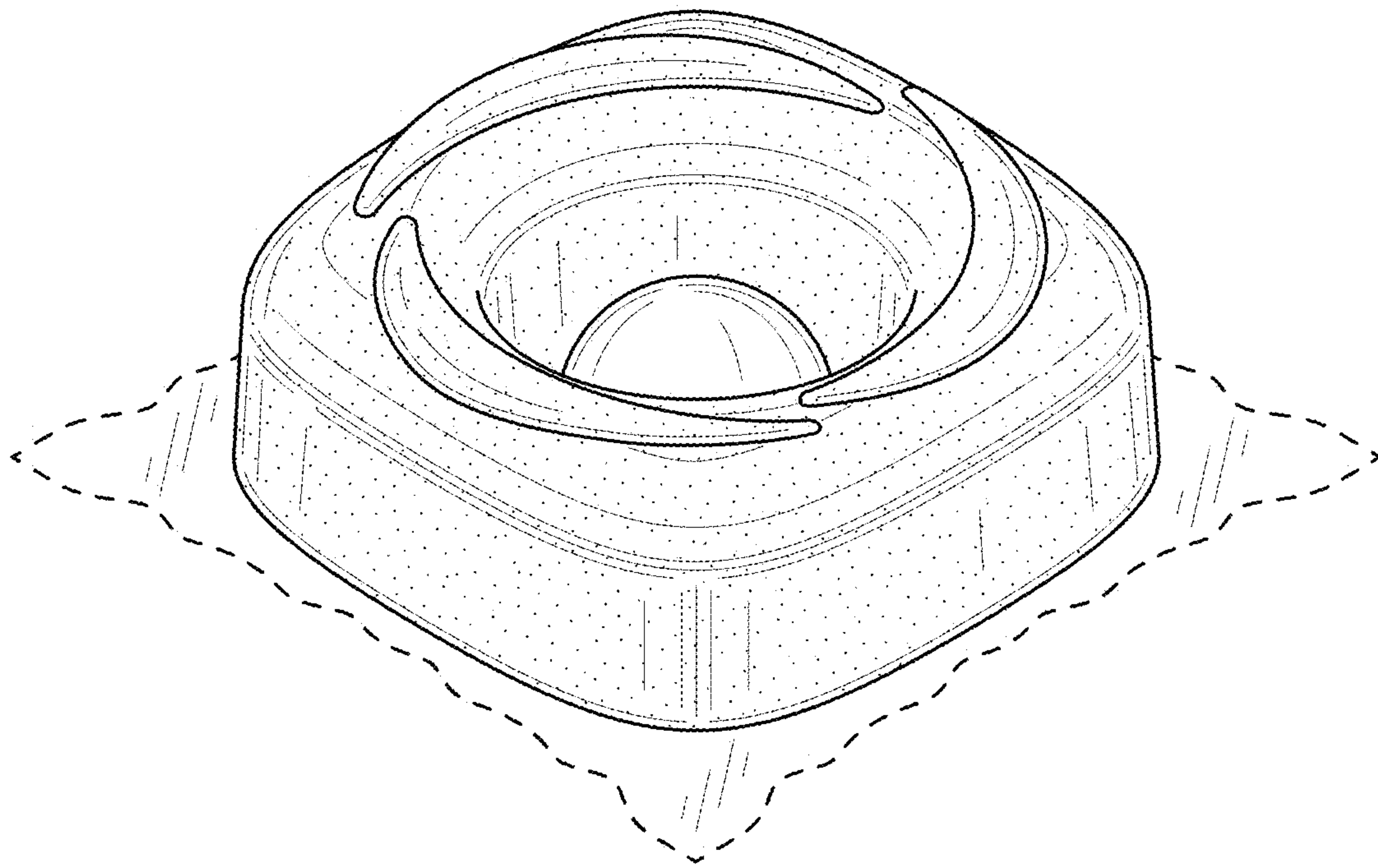


FIG. 8

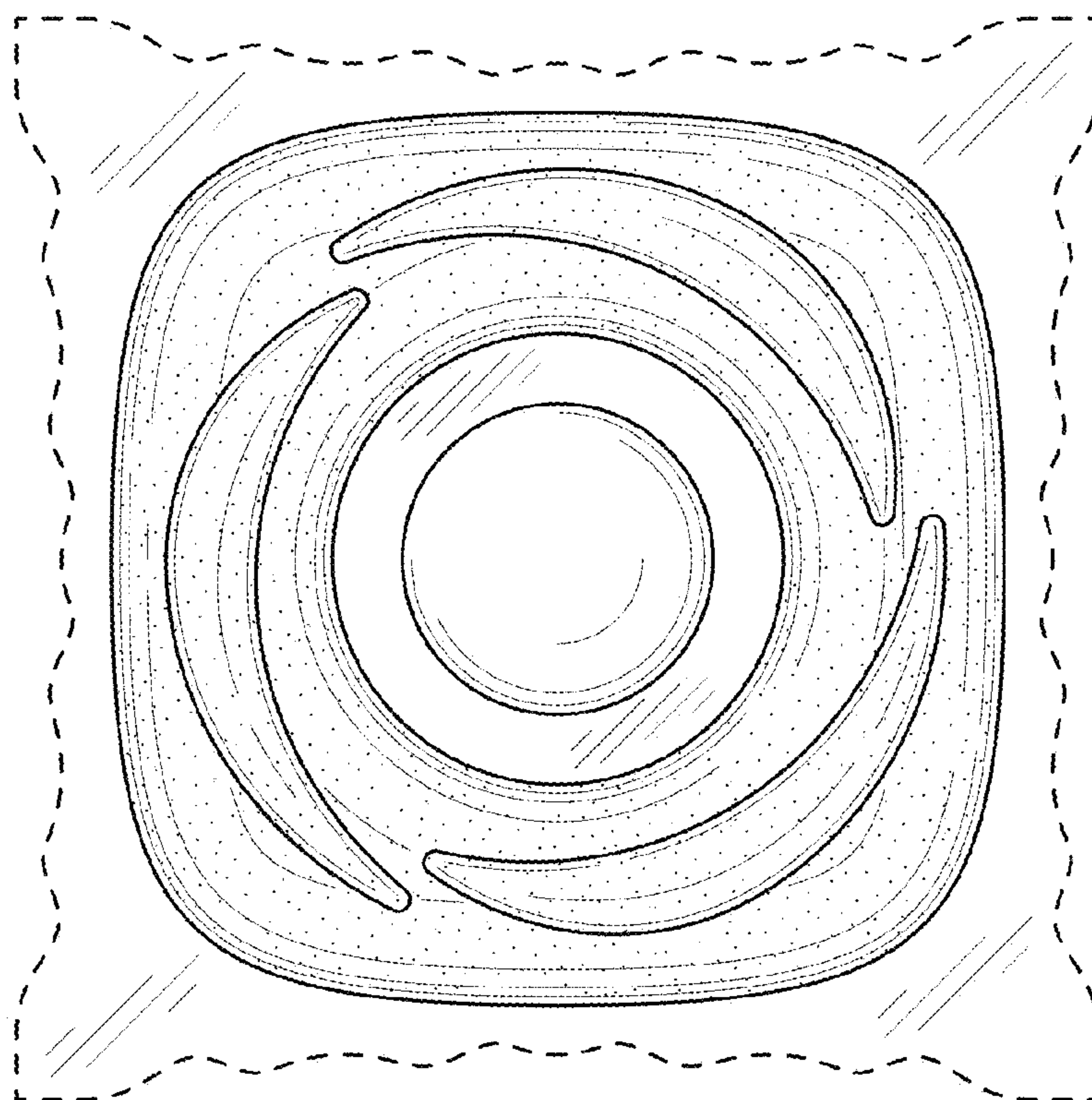


FIG. 9

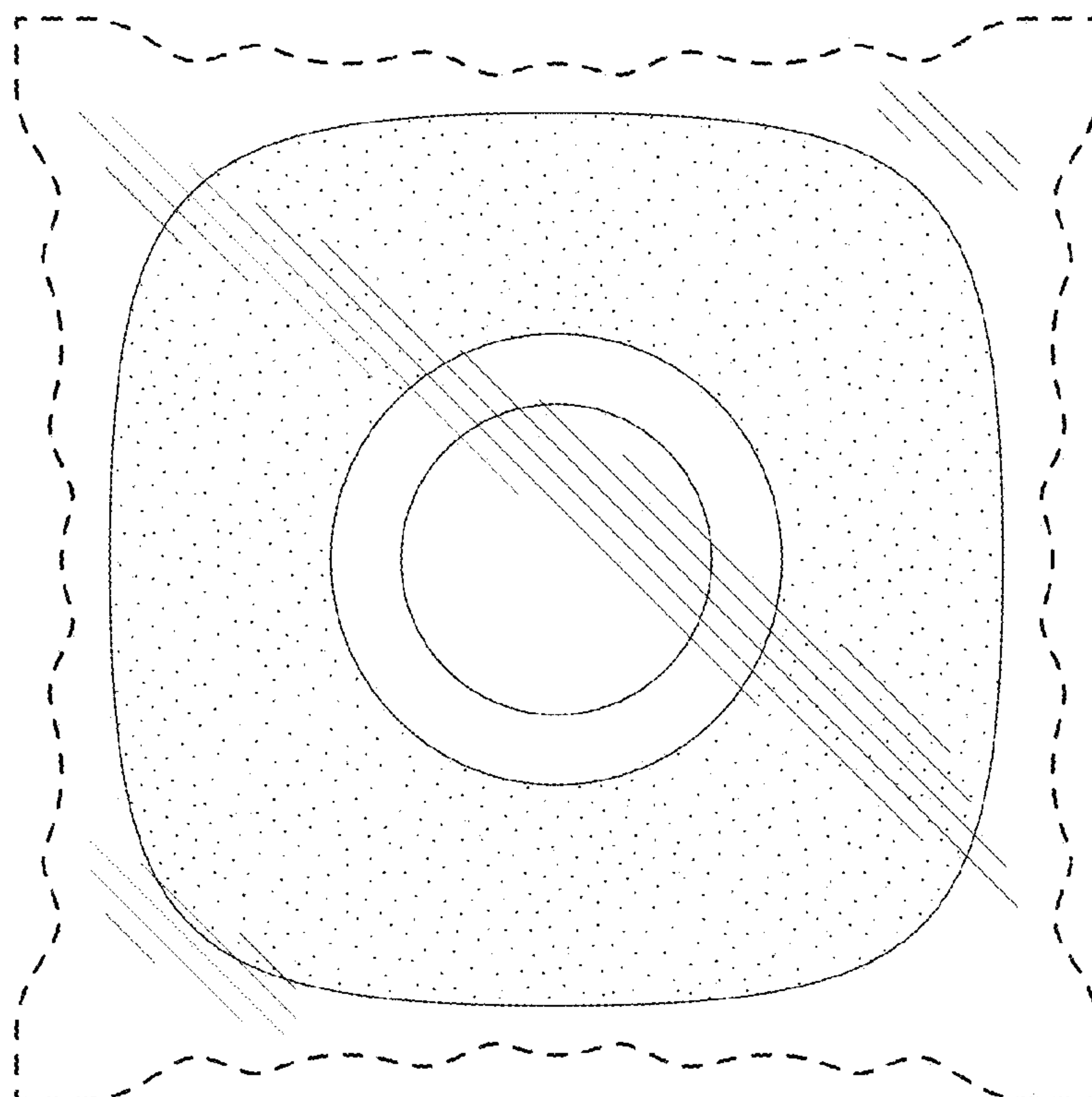


FIG. 10

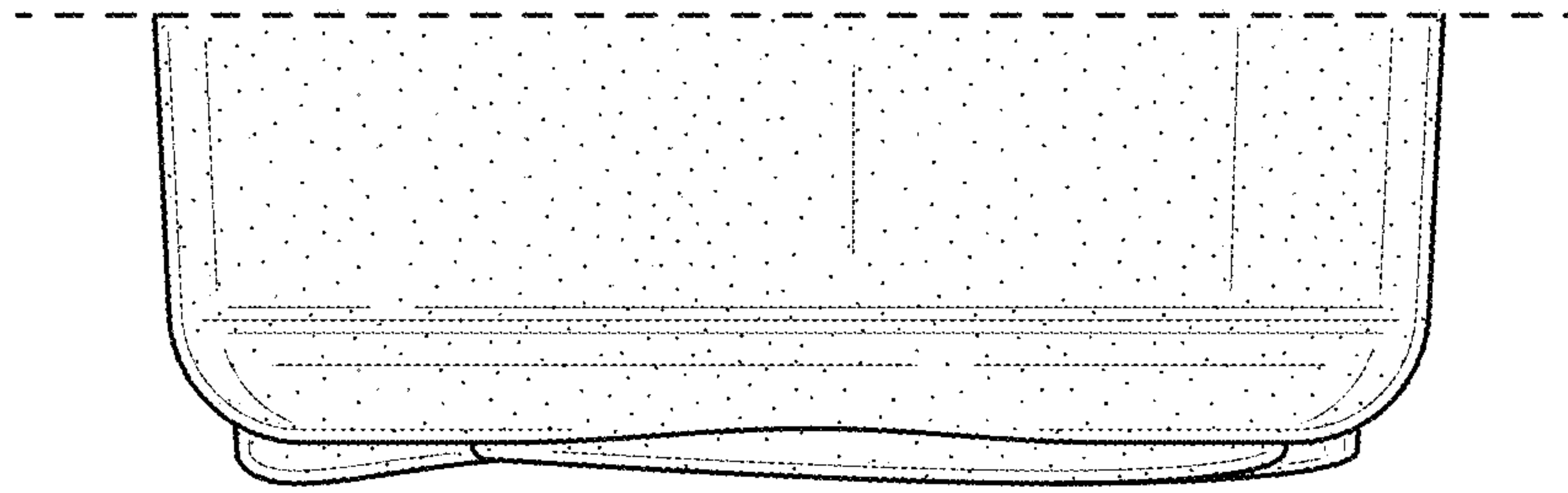


FIG. 11

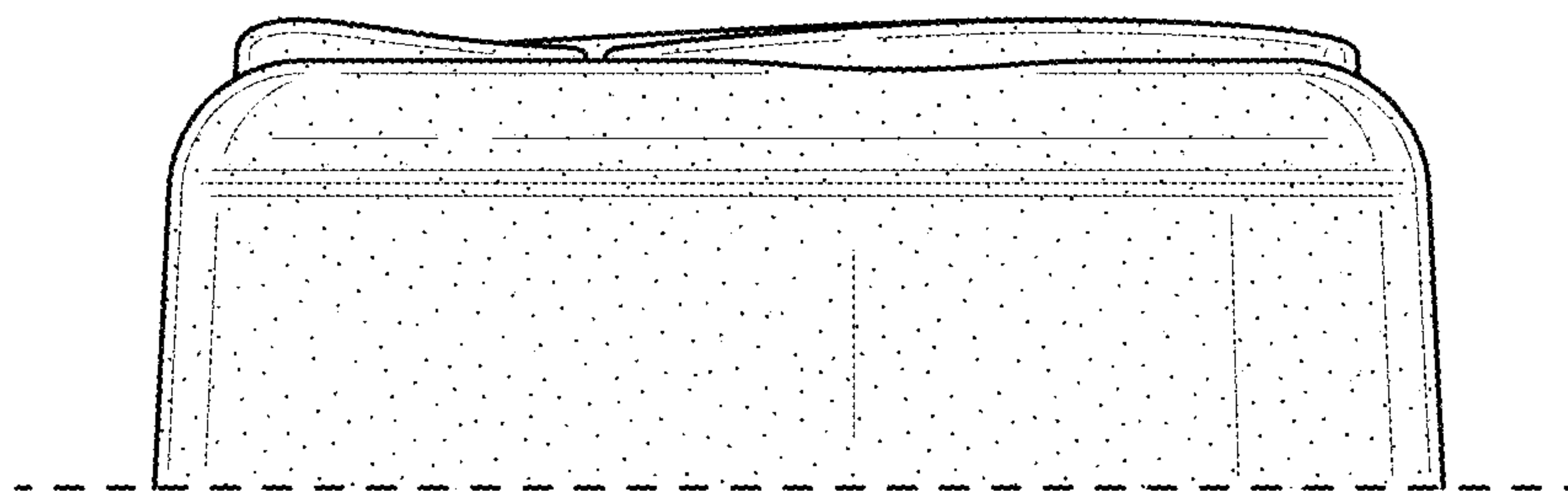


FIG. 12



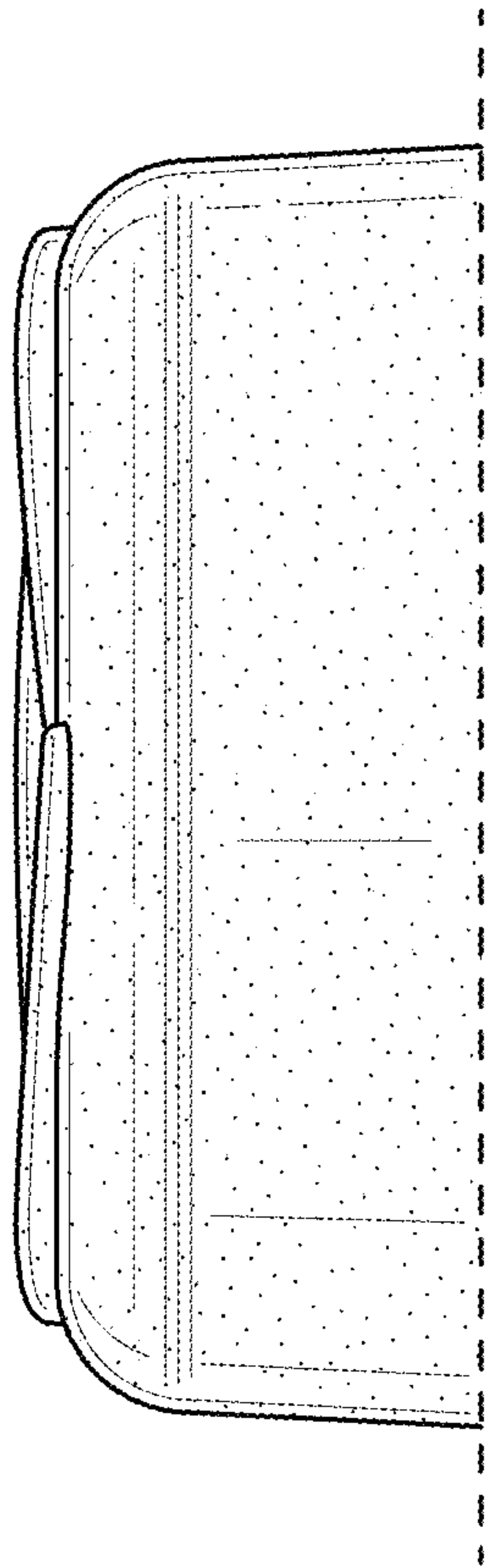


FIG. 13

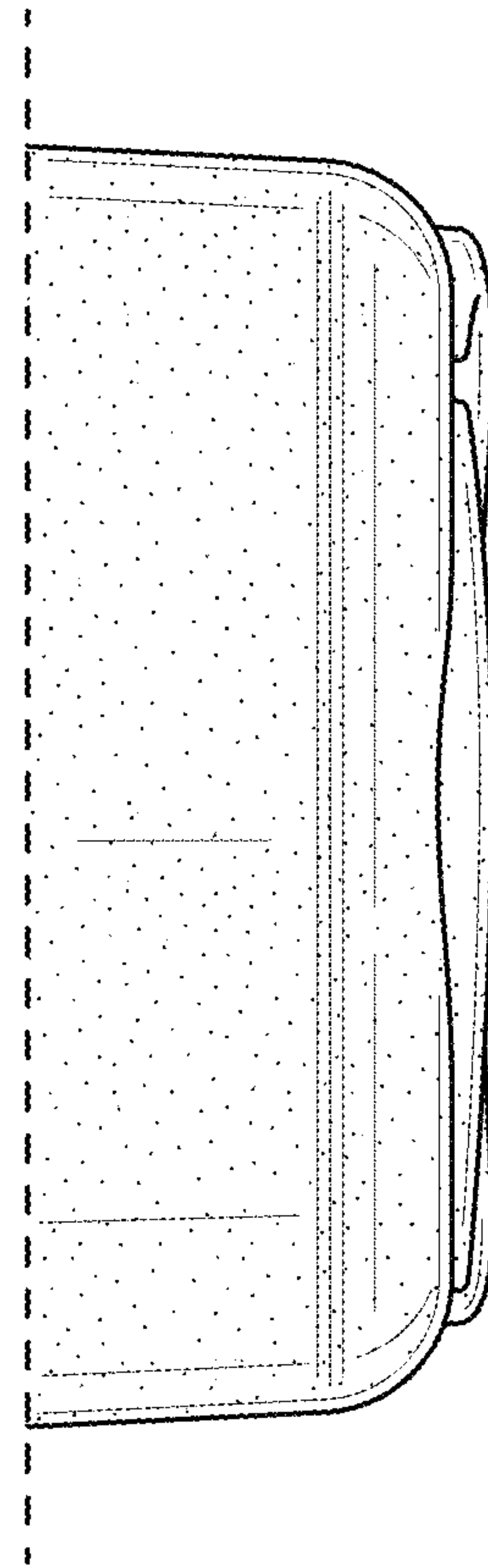


FIG. 14