



US00D868592S

(12) **United States Design Patent**
Grill

(10) **Patent No.:** **US D868,592 S**

(45) **Date of Patent:** **** Dec. 3, 2019**

(54) **STORAGE BAG FOR PAINT BRUSH AND/OR ROLLER**

(71) Applicant: **Jason E. Grill**, Liberty Township, OH (US)

(72) Inventor: **Jason E. Grill**, Liberty Township, OH (US)

(**) Term: **15 Years**

(21) Appl. No.: **29/658,166**

(22) Filed: **Jul. 29, 2018**

(51) **LOC (12) Cl.** **09-05**

(52) **U.S. Cl.**
USPC **D9/705**

(58) **Field of Classification Search**

USPC D9/702-714, 720, 430-433, 436, D9/444-445, 416-417; 206/459.5, 361, 206/362.4, 362.1, 15.2, 15.3, 349, 205, 206/207, 209, 209.1, 5.22, 362.2, 362.3, 206/811; 383/41, 46, 59, 61.2, 61.3, 68, 383/69; 15/244.3, 247, 184, 248.1, 175, 15/246; D3/201, 205, 294; D24/118-119, 207
CPC B65D 85/00; B65D 85/671; B65D 30/00; B65D 30/22; B65D 33/00; B65D 33/002; B65D 33/14; B65D 33/16; A46B 17/00; A46B 17/02; A46B 17/04

See application file for complete search history.

(56) **References Cited**

U.S. PATENT DOCUMENTS

2,485,068 A * 10/1949 Santana A46B 17/04 15/247
2,506,954 A * 5/1950 First B65D 75/02 206/362.4
4,967,903 A * 11/1990 Kettle B44D 3/006 106/1.18
D436,450 S * 1/2001 Wilson D4/199

D510,813 S * 10/2005 Gilman D3/228
7,111,354 B2 * 9/2006 Nennig A46B 11/0079 15/247
D558,984 S * 1/2008 Phillips D4/199

(Continued)

Primary Examiner — Abraham Bahta

(74) *Attorney, Agent, or Firm* — The Law Office of Patrick F. O'Reilly III, LLC

(57) **CLAIM**

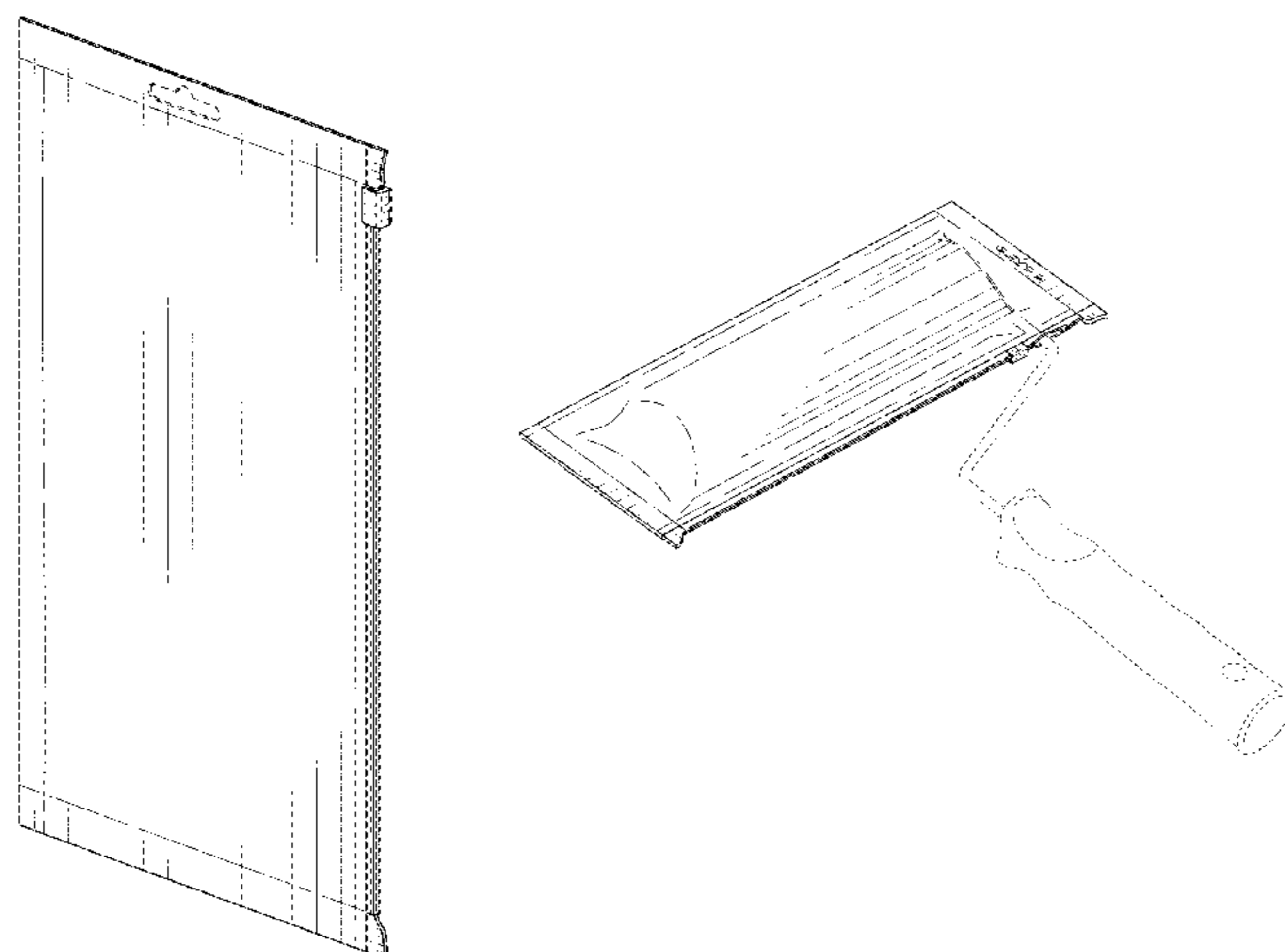
The ornamental design for a storage bag for a paint brush and/or roller, as shown and described.

DESCRIPTION

FIG. 1 is a frontal perspective view of a storage bag for a paint brush and/or roller showing my new design; FIG. 2 is a front elevational view of the storage bag shown in FIG. 1; FIG. 3 is a rear elevational view of the storage bag shown in FIG. 1; FIG. 4 is a left side elevational view of the storage bag shown in FIG. 1; FIG. 5 is a right side elevational view of the storage bag shown in FIG. 1; FIG. 6 is a top plan view of the storage bag shown in FIG. 1; FIG. 7 is a bottom plan view of the storage bag shown in FIG. 1; and, FIG. 8 is another perspective view of the storage bag shown in FIG. 1, wherein the storage bag is illustrated together with a paint roller disposed in the interior compartment of the storage bag, the paint roller shown in broken lines forms no part of the claimed invention.

The broken line portions of the drawing figures are included to show unclaimed subject matter only and form no part of the claimed design. In particular, the hanger slot at the top of the storage bag and the paint roller form no part of the claimed invention.

1 Claim, 5 Drawing Sheets



(56)

References Cited

U.S. PATENT DOCUMENTS

8,668,085 B1 * 3/2014 Oliver A46B 17/04
15/247
8,740,457 B2 * 6/2014 MacDonald B44D 3/125
206/209
D733,551 S * 7/2015 St. Rose D9/414

* cited by examiner

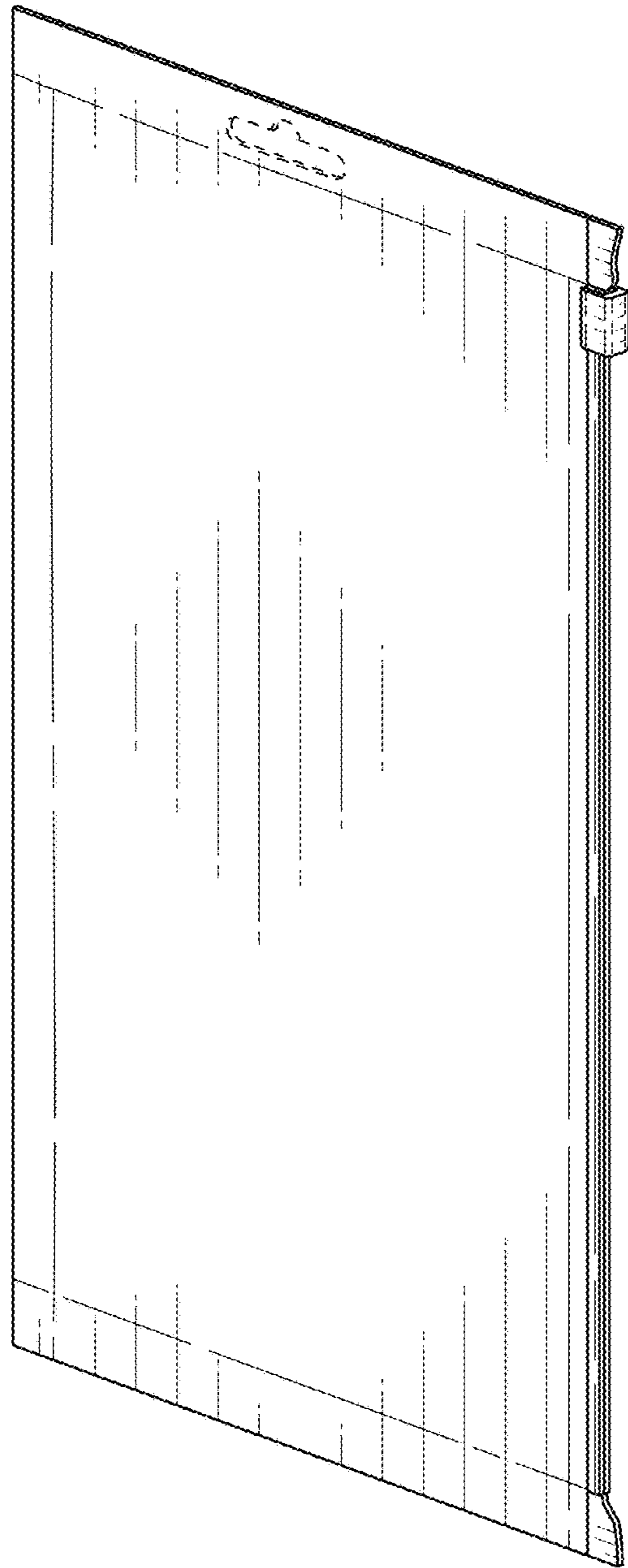


FIG. 1

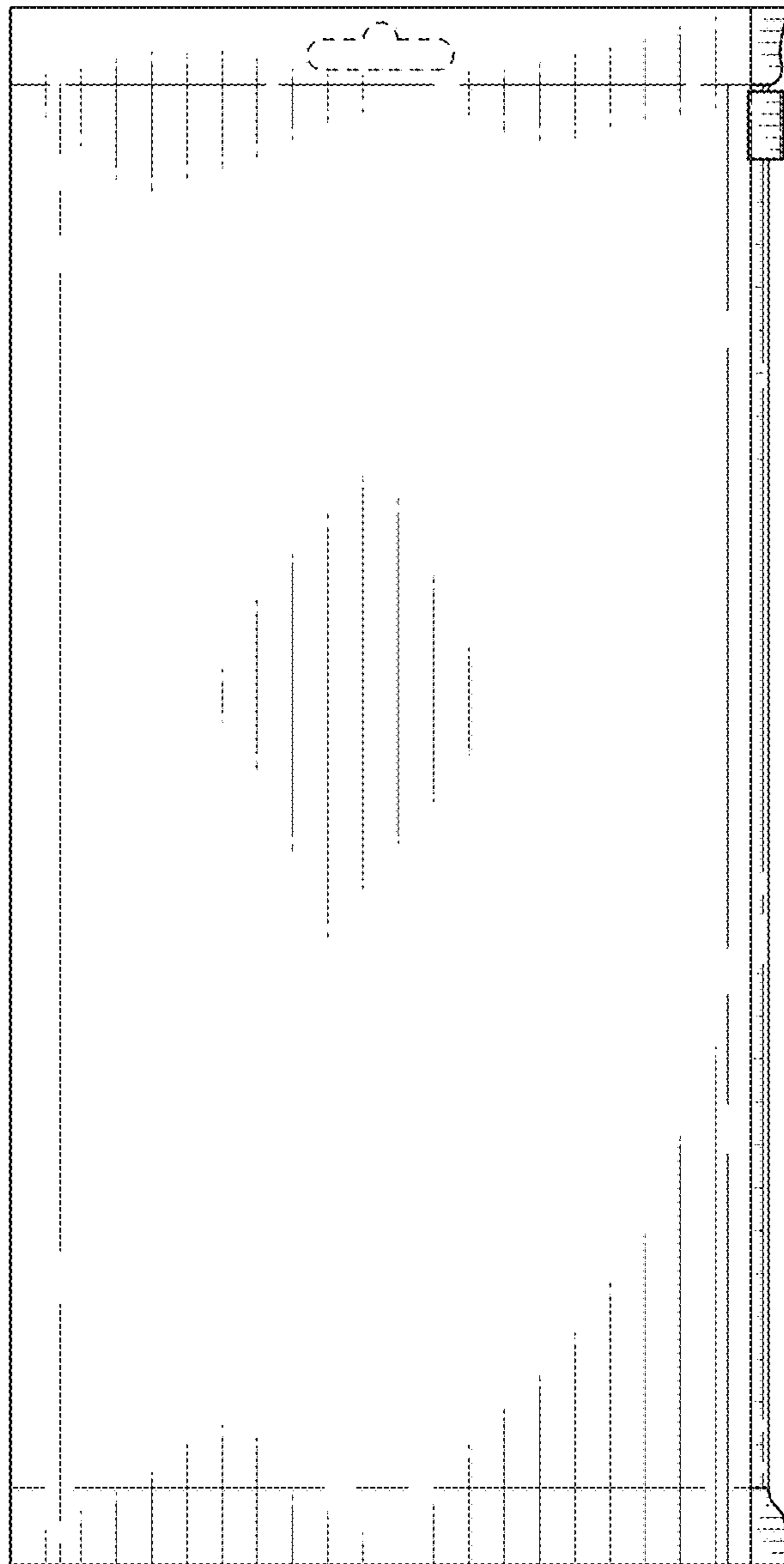


FIG. 2

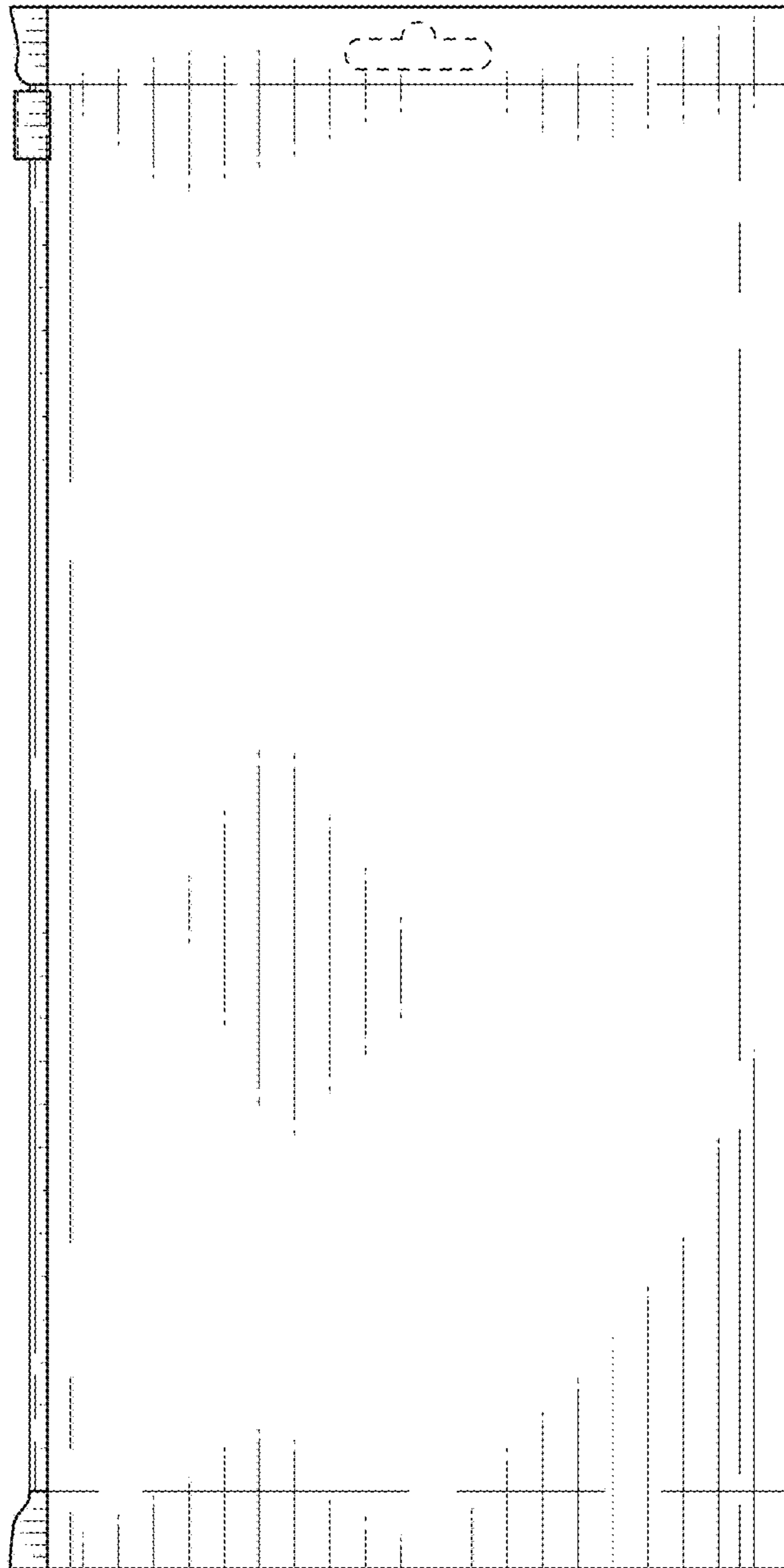


FIG. 3

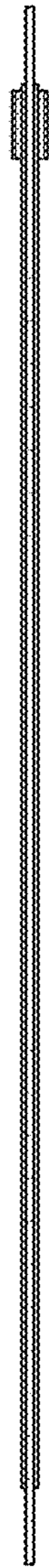


FIG. 4

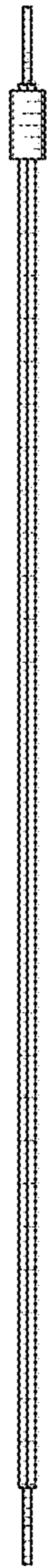


FIG. 5

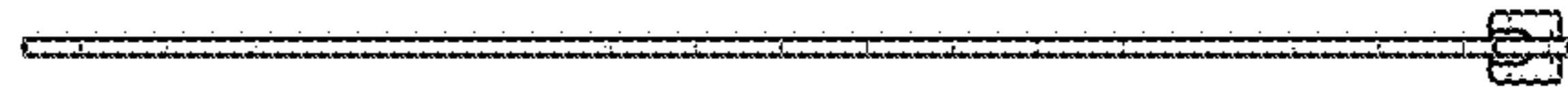


FIG. 6

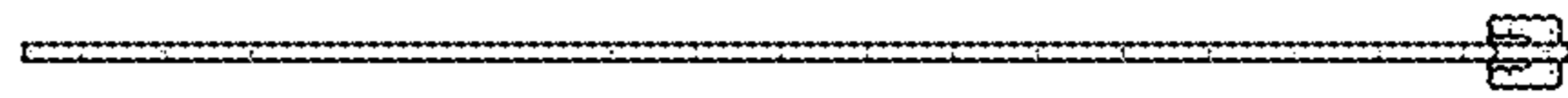


FIG. 7

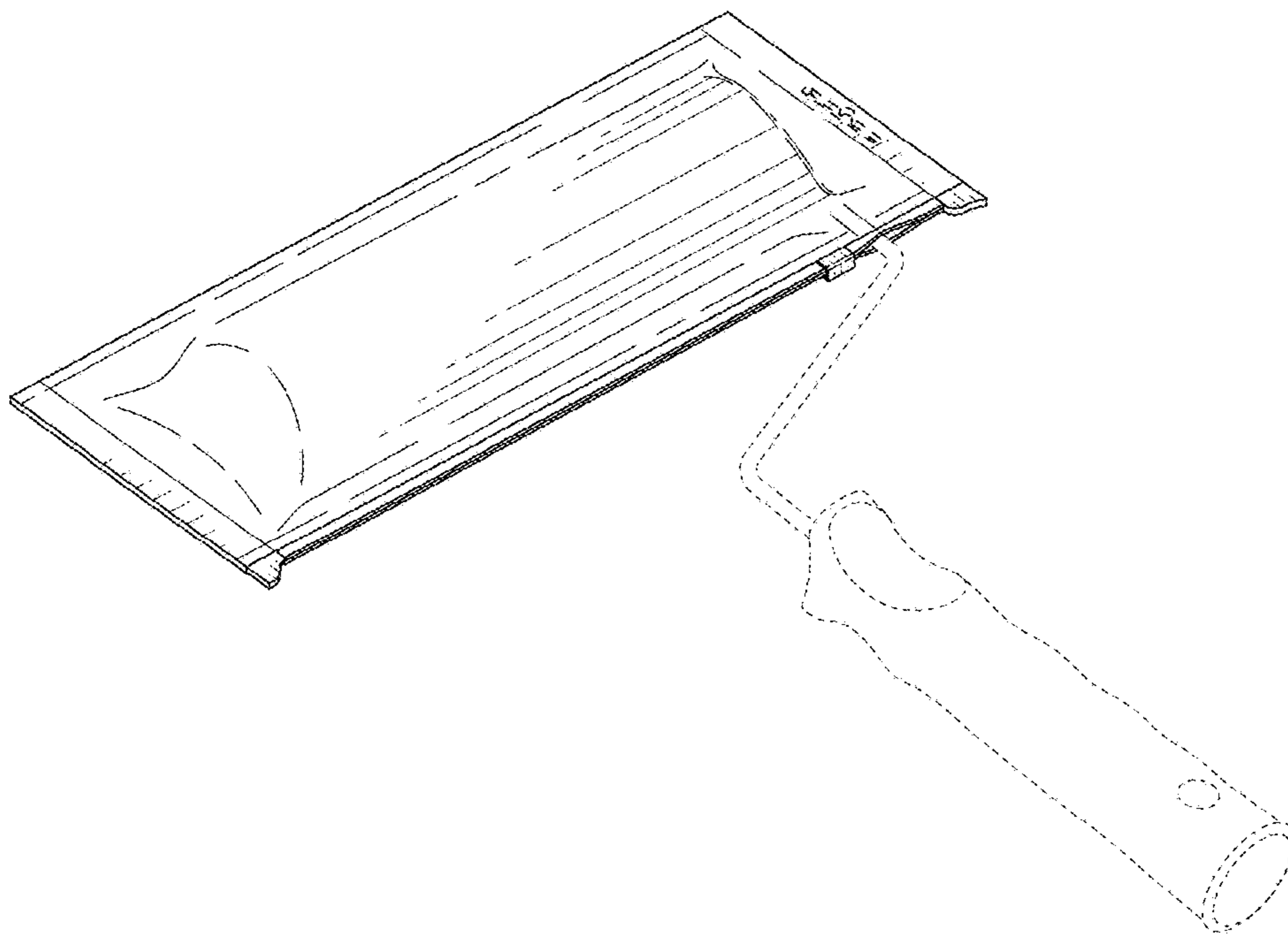


FIG. 8