



US00D868591S

(12) **United States Design Patent** (10) **Patent No.:** **US D868,591 S**  
**Lewis** (45) **Date of Patent:** **\*\* Dec. 3, 2019**

(54) **FEMININE PRODUCT CONTAINER**  
(71) Applicant: **Cordell Lewis**, Fairburn, GA (US)  
(72) Inventor: **Cordell Lewis**, Fairburn, GA (US)  
(\*\*) Term: **15 Years**  
(21) Appl. No.: **29/660,626**  
(22) Filed: **Aug. 22, 2018**  
(51) **LOC (12) Cl.** ..... **09-01**  
(52) **U.S. Cl.**  
USPC ..... **D9/629; D9/737; D9/420**  
(58) **Field of Classification Search**  
USPC ..... D9/600, 629, 414-434, 456-457, 499,  
D9/737, 748-749, 756, 758-761;  
D3/201, 203.3, 270-271.3; D28/61,  
D28/79-80  
See application file for complete search history.

D725,480 S \* 3/2015 Lipman ..... D9/629  
D730,741 S \* 6/2015 Reinmuth ..... D9/629  
D751,917 S \* 3/2016 Reinmuth ..... D9/629  
D772,072 S \* 11/2016 Klopp ..... D9/629  
D829,565 S \* 10/2018 Safdie ..... B65D 5/5021  
D9/737  
2002/0046132 A1 4/2002 Raye  
2003/0136704 A1 7/2003 Burgess  
2007/0090014 A1 4/2007 Wheeler  
2011/0215025 A1 9/2011 Gonzales  
2013/0062246 A1 3/2013 Staples  
2013/0277262 A1\* 10/2013 Nemard ..... B65D 25/102  
206/438

\* cited by examiner

Primary Examiner — Sandra L Morris

(57) **CLAIM**

The ornamental design for a feminine product container, as shown and described.

(56) **References Cited**

U.S. PATENT DOCUMENTS

3,900,100 A \* 8/1975 Girman ..... B65D 5/5021  
206/749  
D262,839 S 2/1982 Daenen  
D318,934 S \* 8/1991 Embrey ..... D28/61  
D365,754 S \* 1/1996 Plassier ..... D9/418  
D382,476 S \* 8/1997 Bell ..... D9/629  
D490,937 S \* 6/2004 Ke ..... D28/79  
D508,166 S \* 8/2005 Liu ..... D3/271.1  
7,104,977 B2 9/2006 Price  
7,621,402 B2 \* 11/2009 Sandow ..... B65D 5/52  
206/232  
D633,712 S \* 3/2011 Everette ..... D3/203.1  
7,950,522 B2 5/2011 Slayton  
D651,085 S \* 12/2011 Frias ..... D9/629  
D666,773 S \* 9/2012 Greenfield ..... B65D 5/52  
D28/83

**DESCRIPTION**

FIG. 1 is a front view of a feminine product container showing my new design;  
FIG. 2 is a rear view of the feminine product container;  
FIG. 3 is a right side view of the feminine product container;  
FIG. 4 is a left side view of the feminine product container;  
FIG. 5 is a top view of the feminine product container;  
FIG. 6 is a bottom view of the feminine product container;  
FIG. 7 is a top front side perspective view of the feminine product container in an alternate position; and,  
FIG. 8 is a top front side perspective view of the feminine product container holding feminine products.  
The broken lines in FIG. 8 are illustrative of environmental structures forming no part of the claimed design.

**1 Claim, 5 Drawing Sheets**

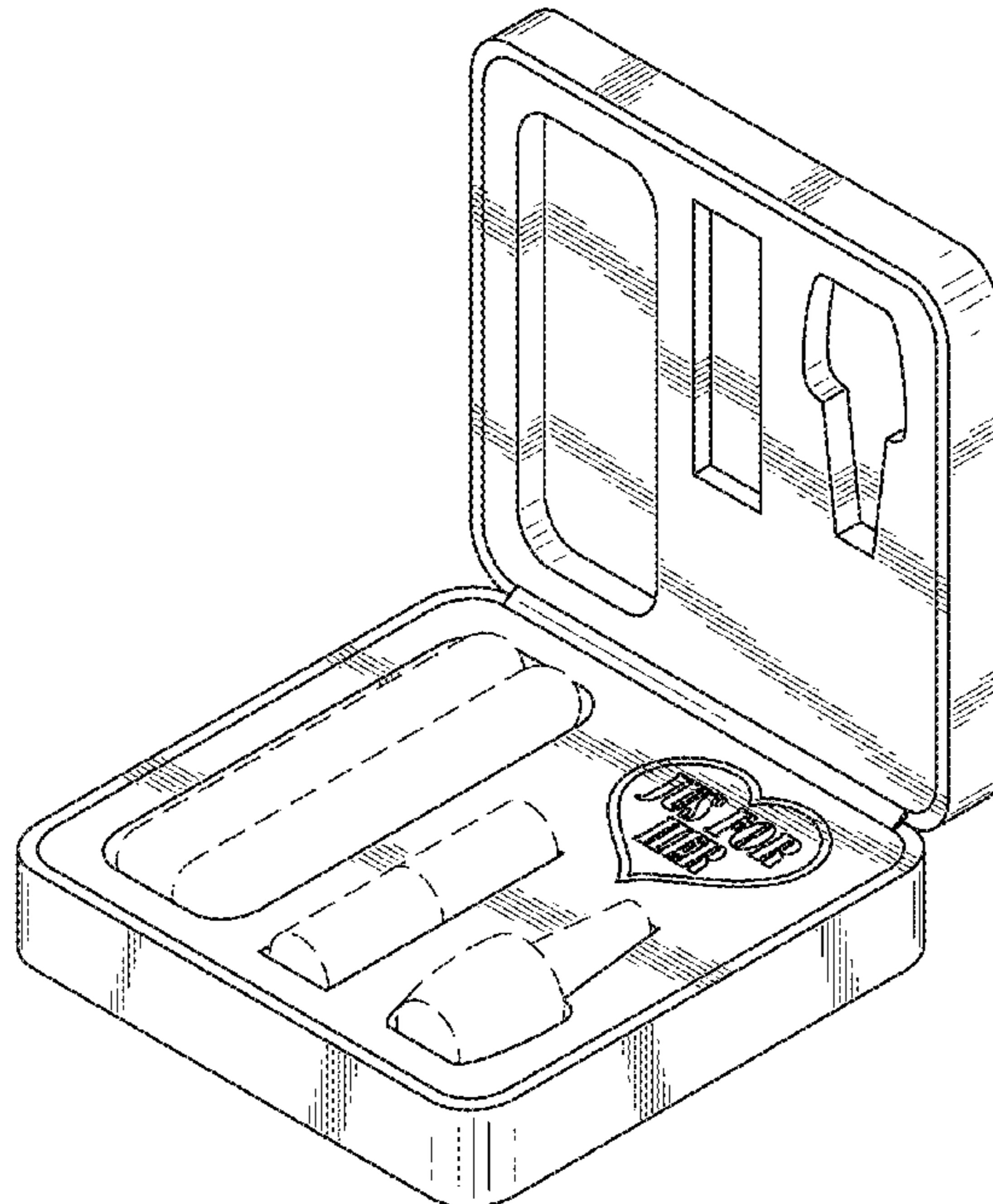


FIG. 1

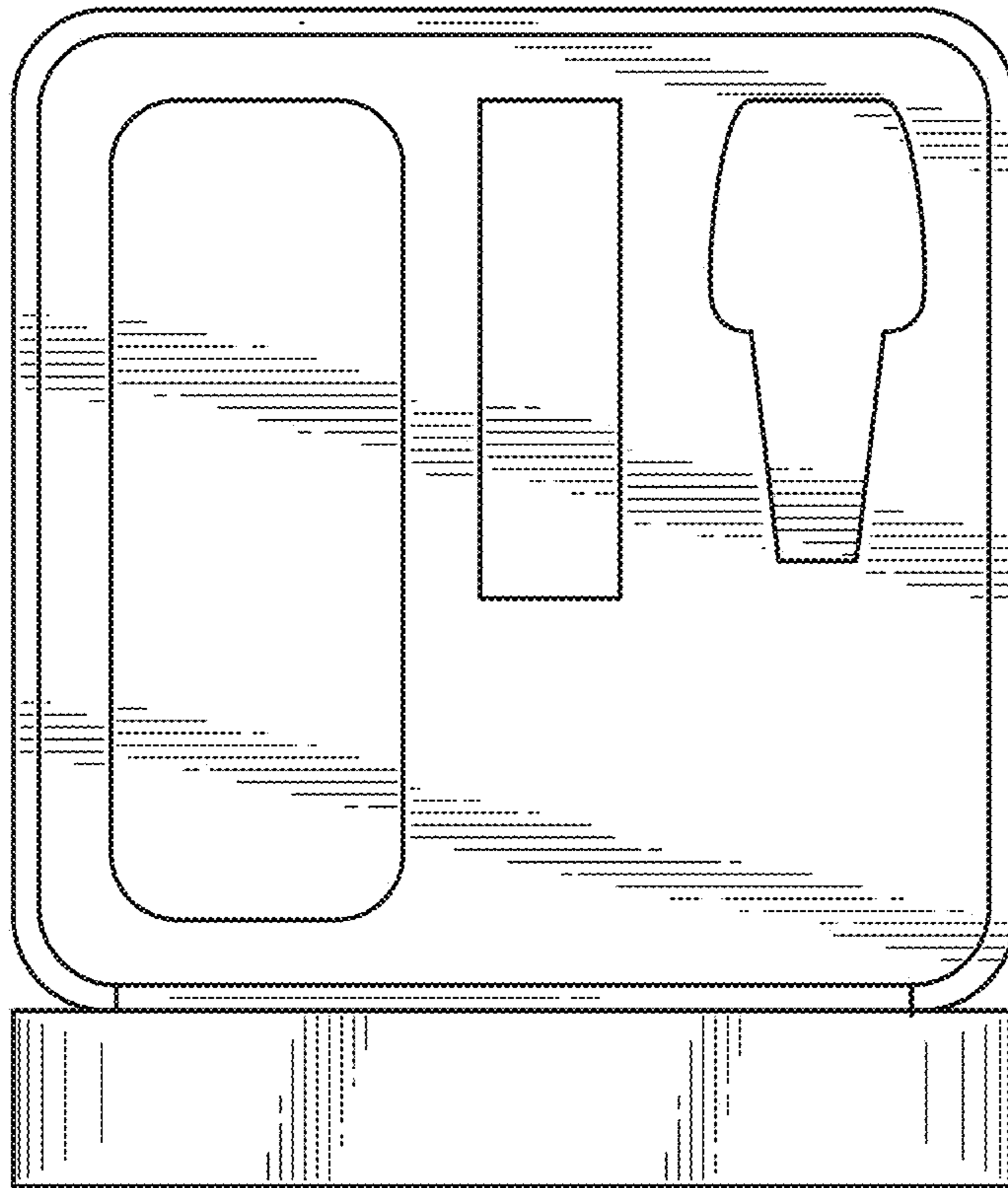


FIG. 2



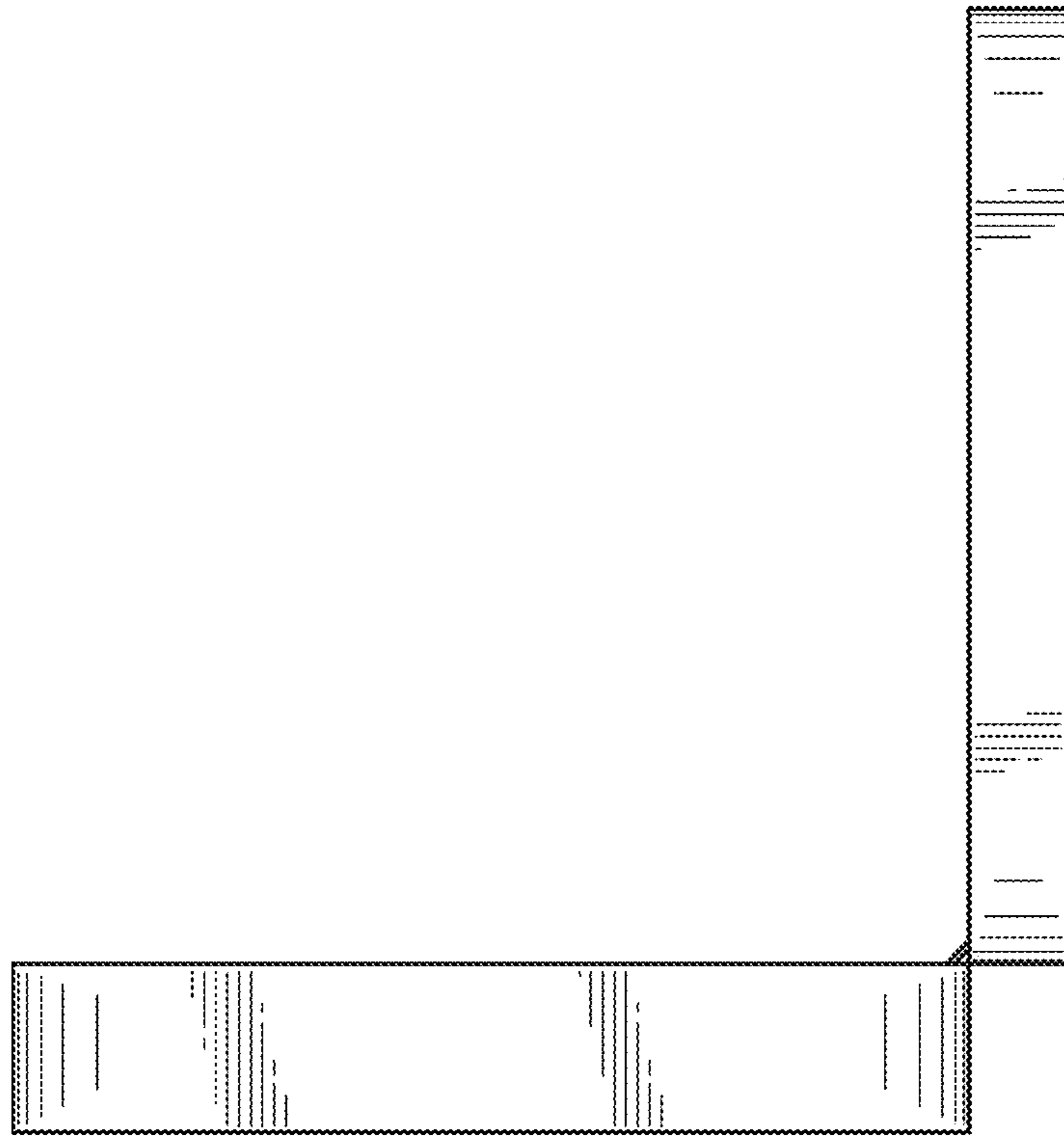


FIG. 3

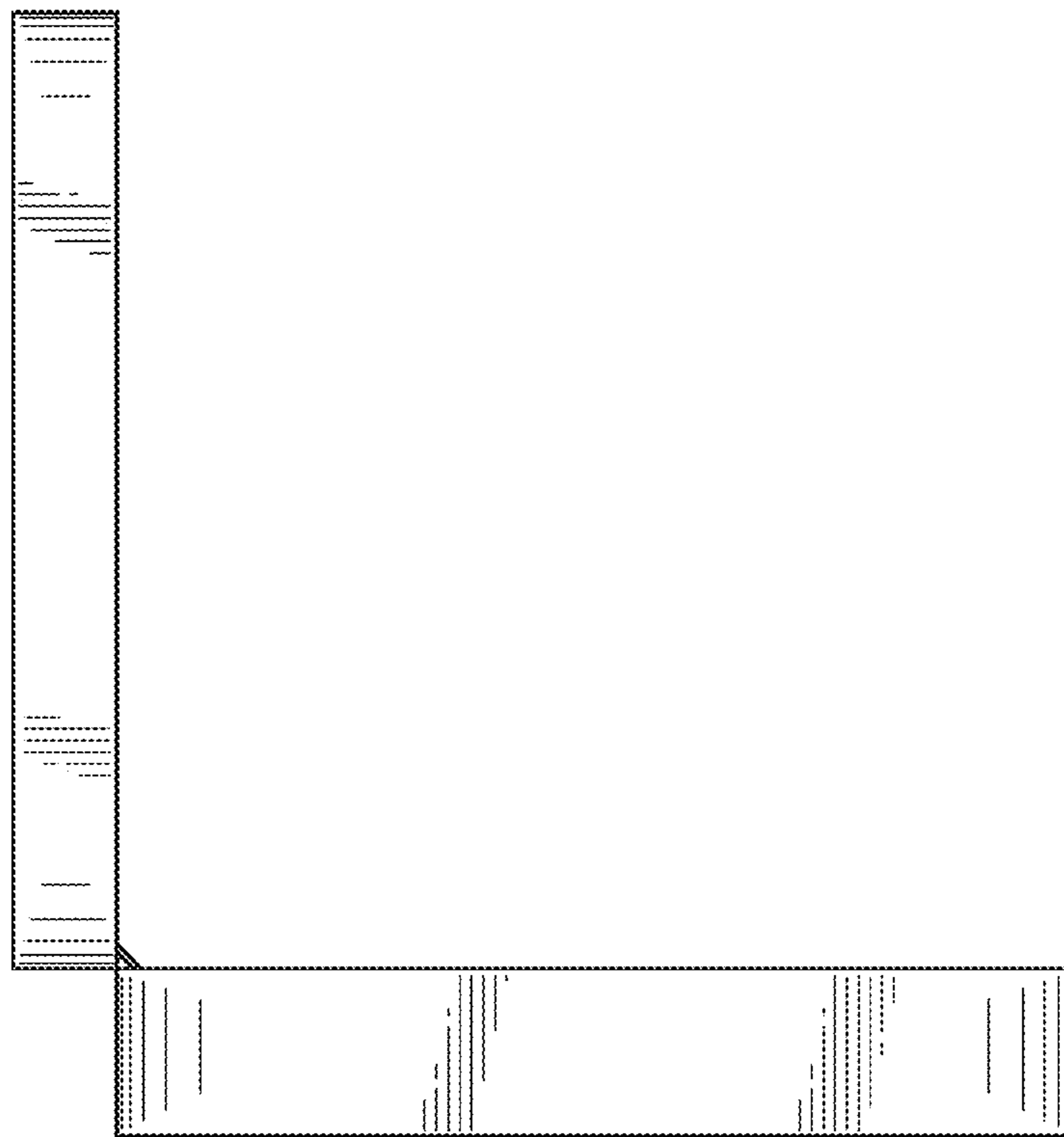


FIG. 4

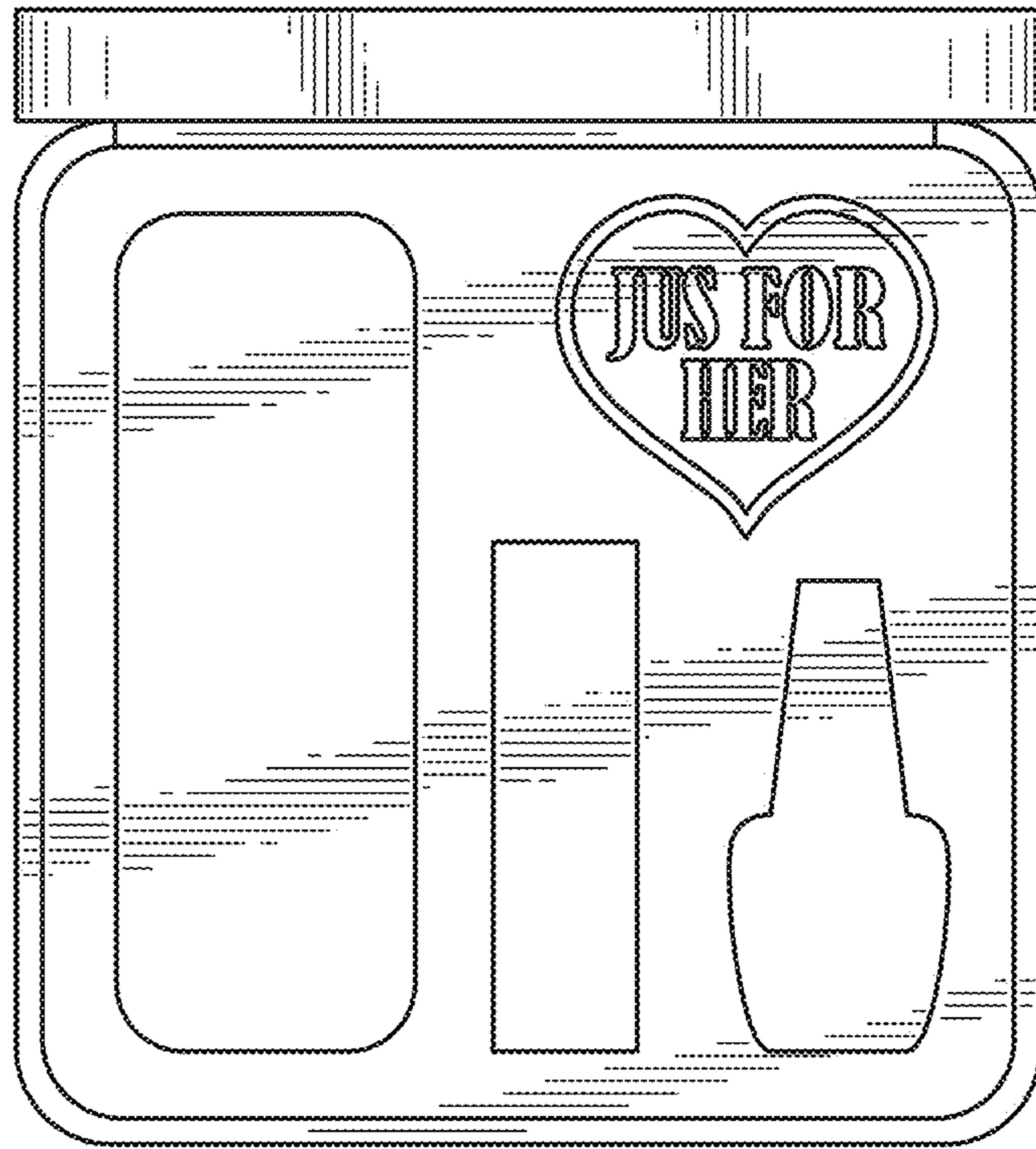


FIG. 5

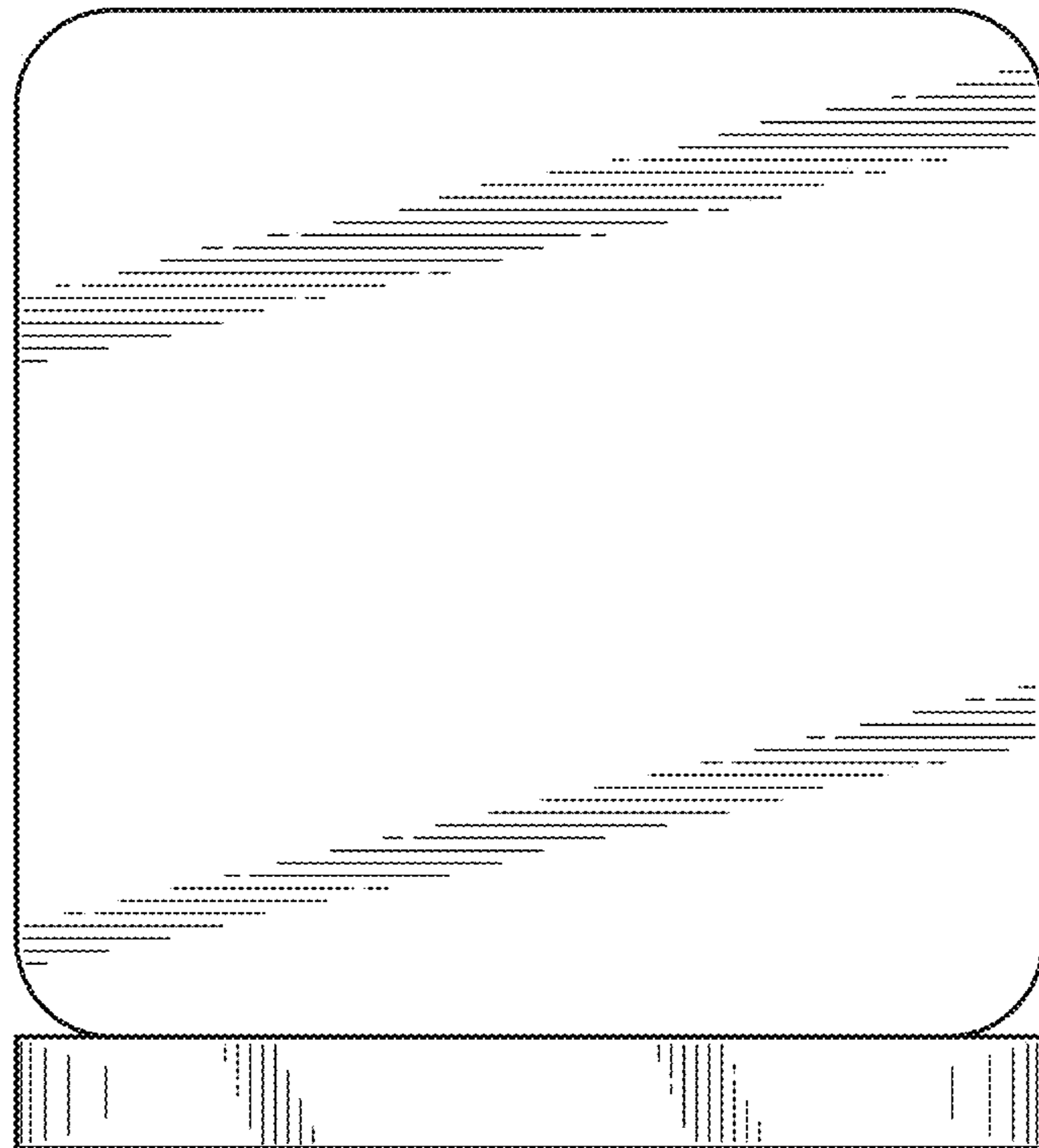


FIG. 6



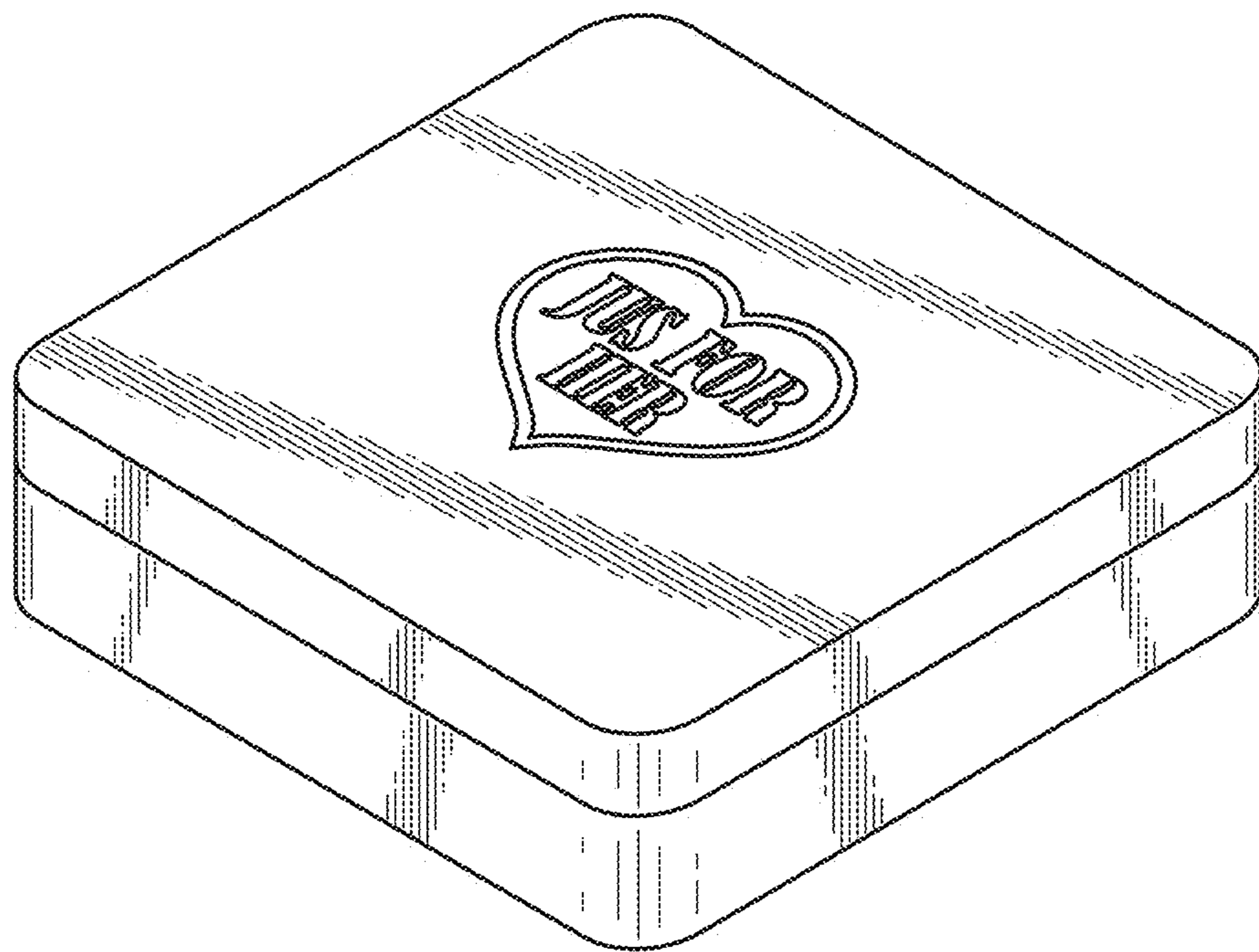


FIG. 7

FIG. 8

