



US00D868590S

(12) **United States Design Patent**  
**Morehead**

(10) **Patent No.:** **US D868,590 S**

(45) **Date of Patent:** **\*\* Dec. 3, 2019**

- (54) **JAR**
- (71) Applicant: **Agralogix, LLC**, Ravenna, OH (US)
- (72) Inventor: **Jamie Morehead**, Ravenna, OH (US)
- (73) Assignee: **Agralogix, LLC**, Ravenna, OH (US)
- (\*\*) Term: **15 Years**
- (21) Appl. No.: **29/661,632**
- (22) Filed: **Aug. 29, 2018**
- (51) **LOC (12) Cl.** ..... **09-01**
- (52) **U.S. Cl.**  
USPC ..... **D9/600; D9/550; D9/557; D9/558**
- (58) **Field of Classification Search**  
USPC ..... D9/600, 630, 500-505, 516, 537-546,  
D9/549-551, 556-558, 563, 569-570;  
206/457, 494, 459.5, 527, 540;  
229/116.1; 215/381-384, 400;  
D7/514-520, 539, 544, 571, 594, 599,  
D7/604, 613, 619.2, 623, 625, 628-630,  
D7/391-392.1; D3/270-271.3  
CPC ..... B65D 67/00; B65D 81/36; B65D 81/60;  
B65D 81/368; B65D 37/00; B65D 5/42;  
B65D 5/4208; B65D 77/00; A63H 33/10;  
A63H 33/16  
See application file for complete search history.

- D95,620 S \* 5/1935 Smith ..... D9/550
- D108,592 S \* 2/1938 Dallas ..... D9/557
- D182,000 S \* 1/1958 Reed ..... D9/600
- D288,294 S \* 2/1987 Taylor ..... D9/550
- D322,558 S \* 12/1991 Halm ..... D9/557
- D396,382 S \* 7/1998 Hsu ..... D7/599
- D513,188 S \* 12/2005 Bertrand ..... D9/550
- D735,414 S \* 7/2015 Schlatter ..... D9/600

\* cited by examiner

*Primary Examiner* — Sandra L Morris

(74) *Attorney, Agent, or Firm* — BakerHostetler

(56) **References Cited**

**U.S. PATENT DOCUMENTS**

- D40,666 S \* 4/1910 Hoff ..... D9/563
- D86,353 S \* 3/1932 Cordy ..... D9/550

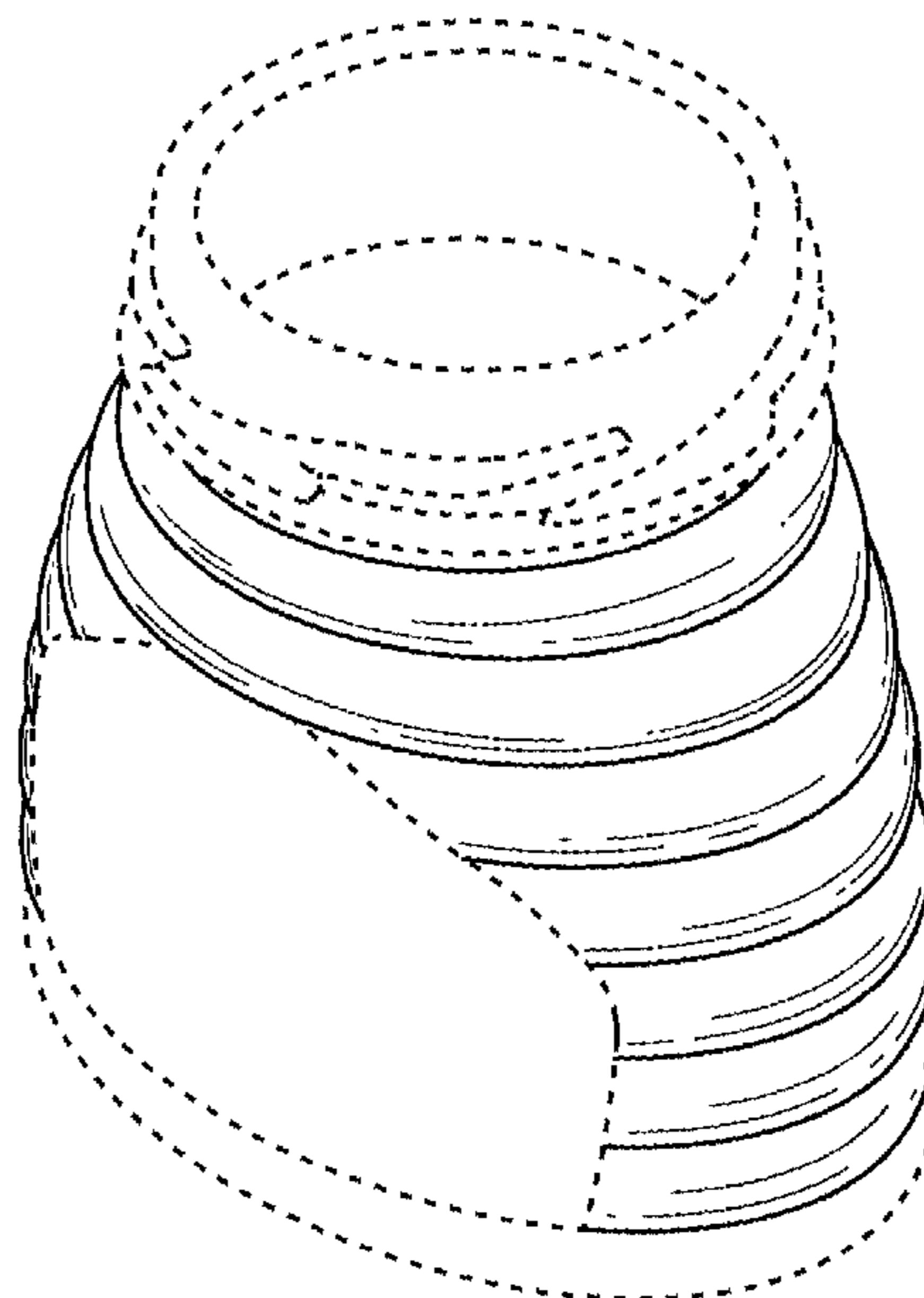
(57) **CLAIM**

I claim the ornamental design for a jar, as substantially shown and described.

**DESCRIPTION**

FIG. 1 is a top perspective view of a jar with environment shown in broken lines;  
 FIG. 2 is a bottom perspective view thereof;  
 FIG. 3 is a front view thereof;  
 FIG. 4 is a rear view thereof;  
 FIG. 5 is a left side view thereof;  
 FIG. 6 is a right side view thereof;  
 FIG. 7 is a top side view thereof; and,  
 FIG. 8 is a bottom side view thereof.  
 The broken lines shown in the figures are environmental and form no part of the claimed design.

**1 Claim, 5 Drawing Sheets**



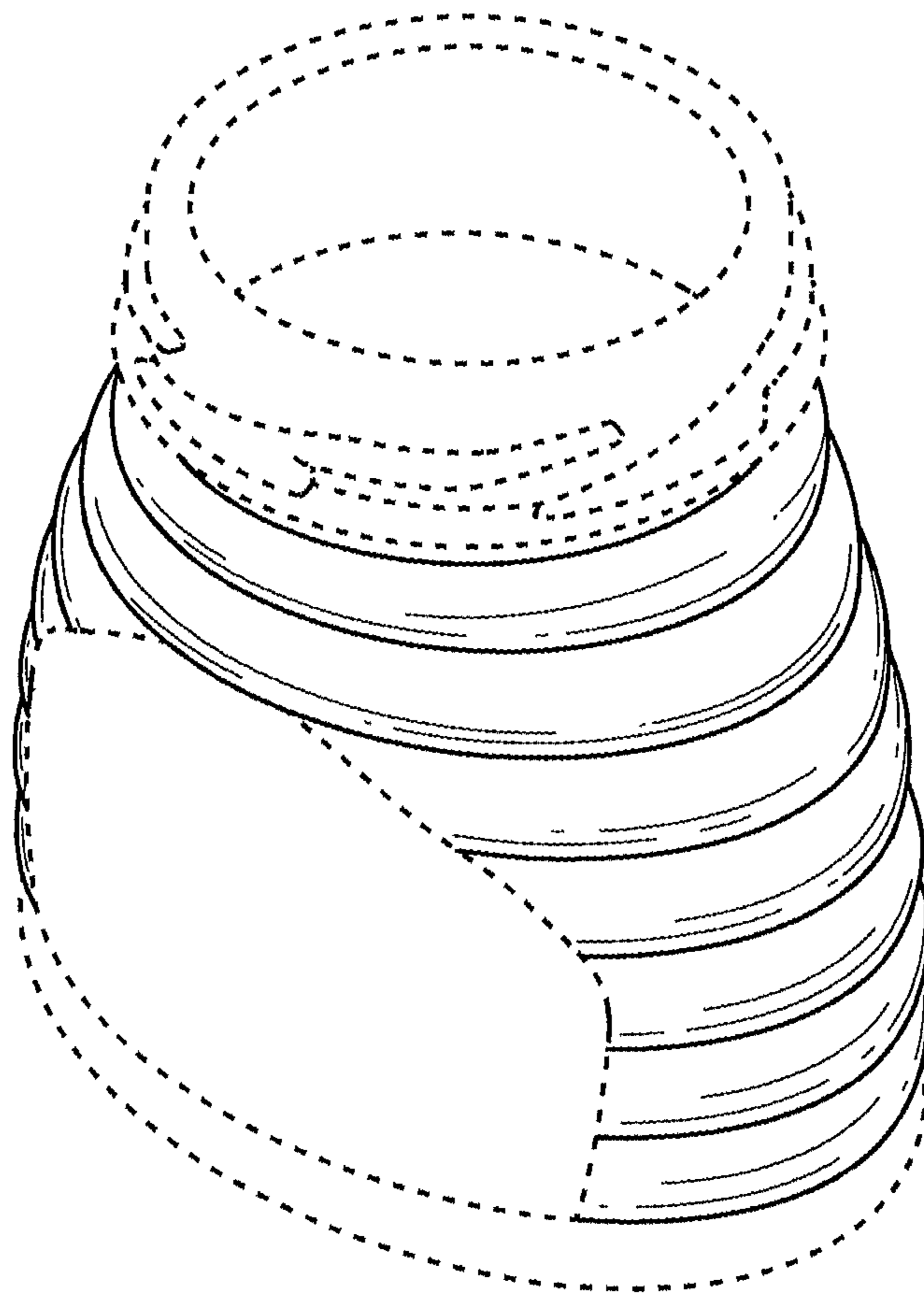


FIG. 1

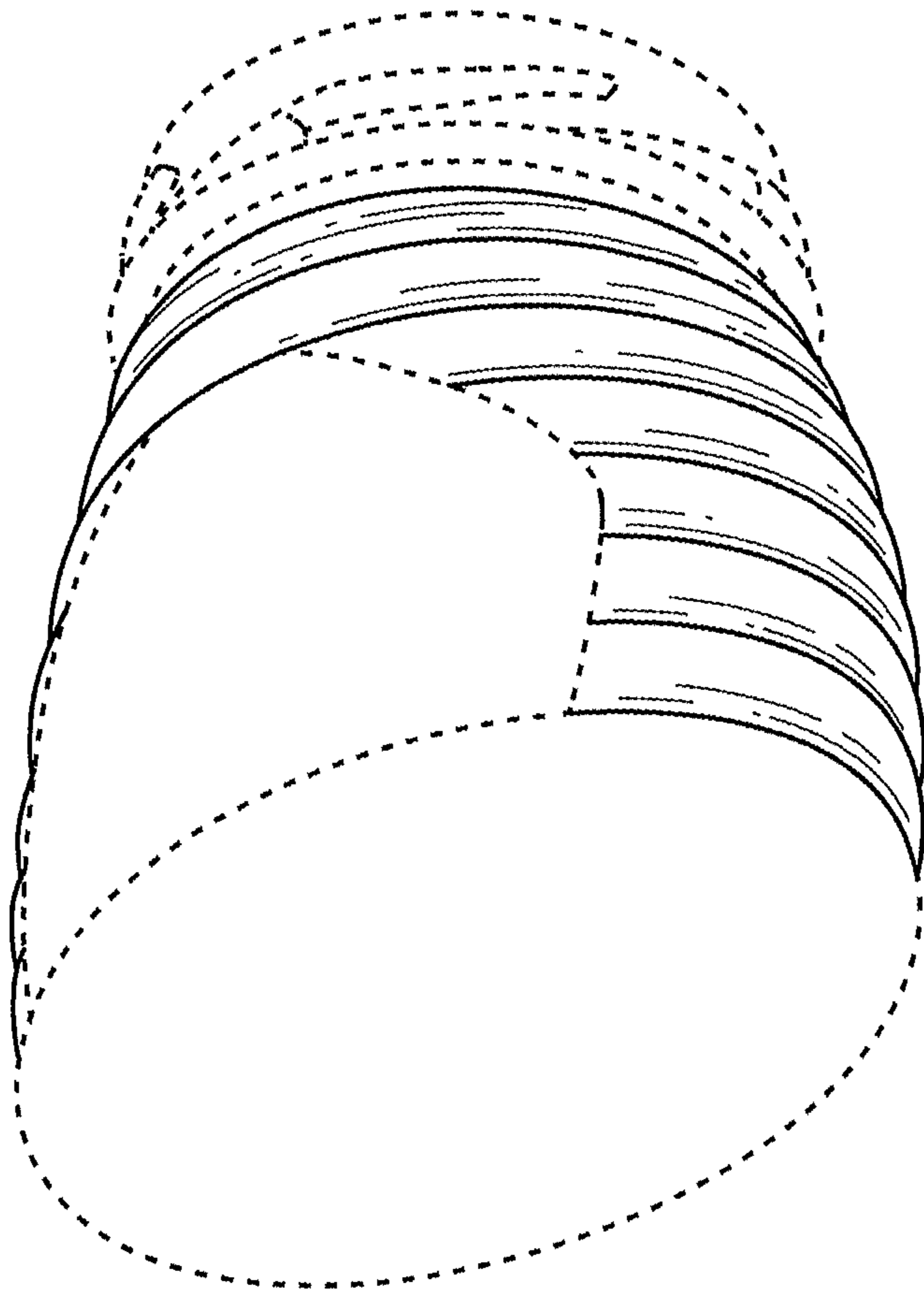


FIG. 2

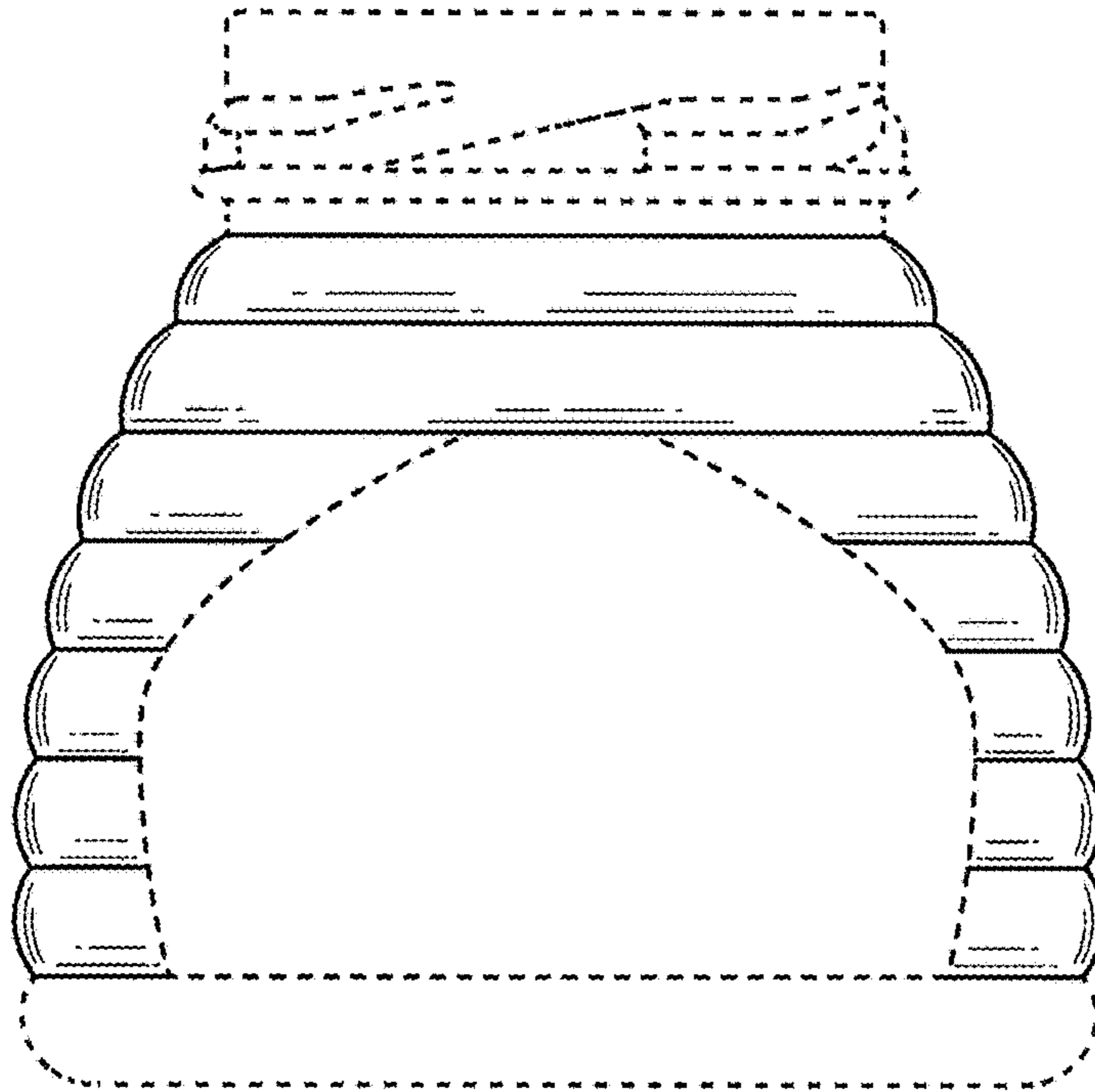


FIG. 3

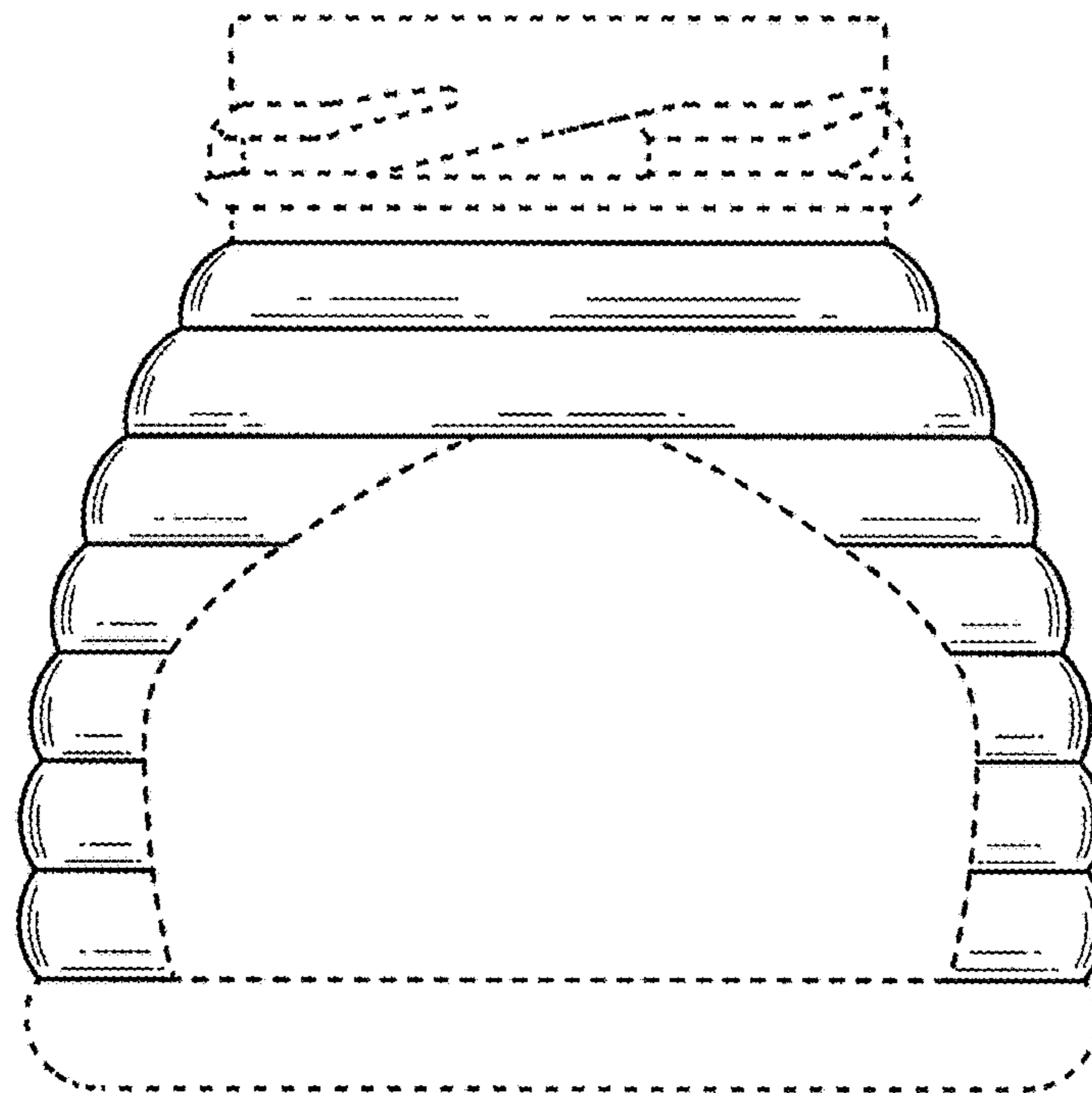


FIG. 4

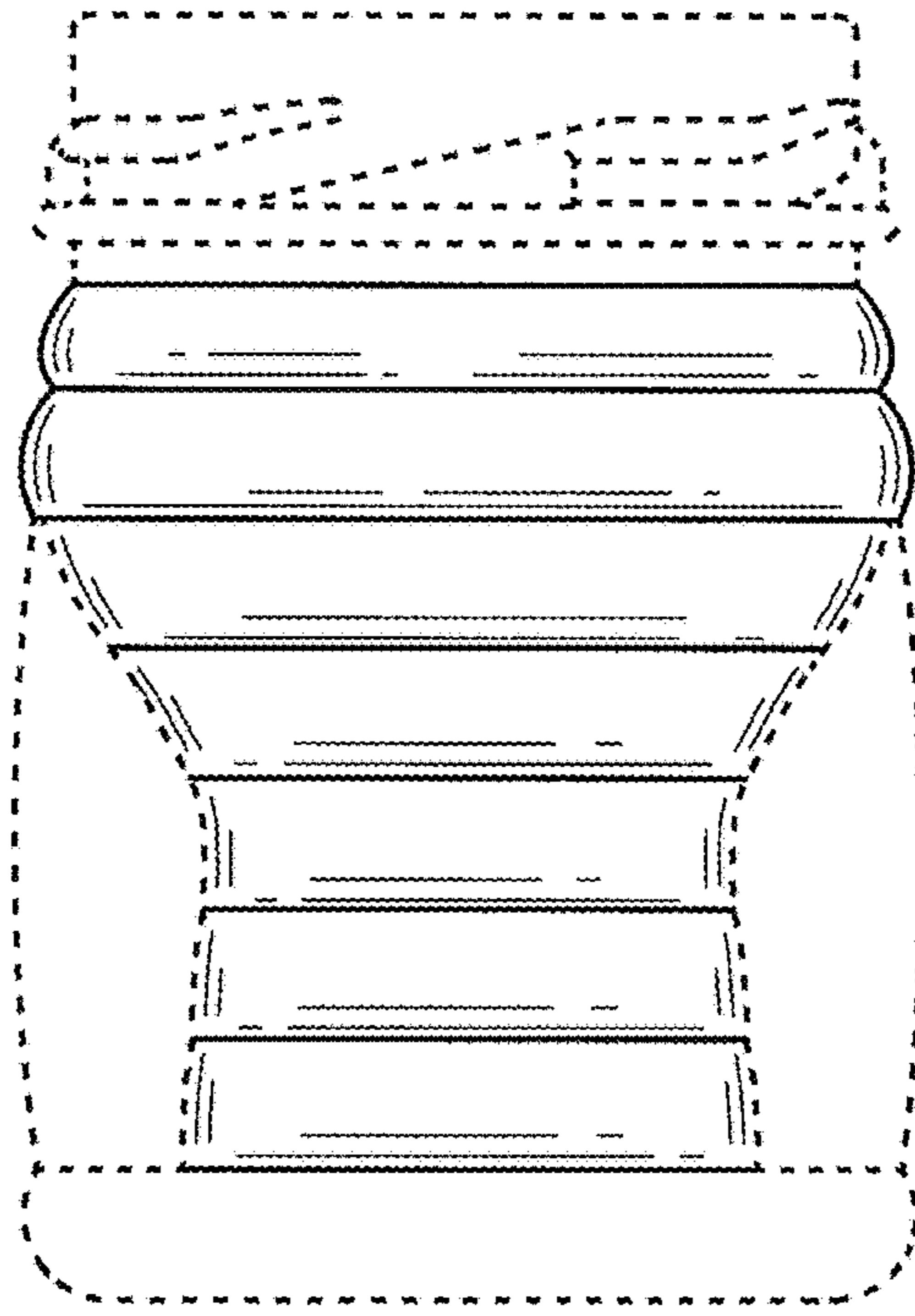


FIG. 5

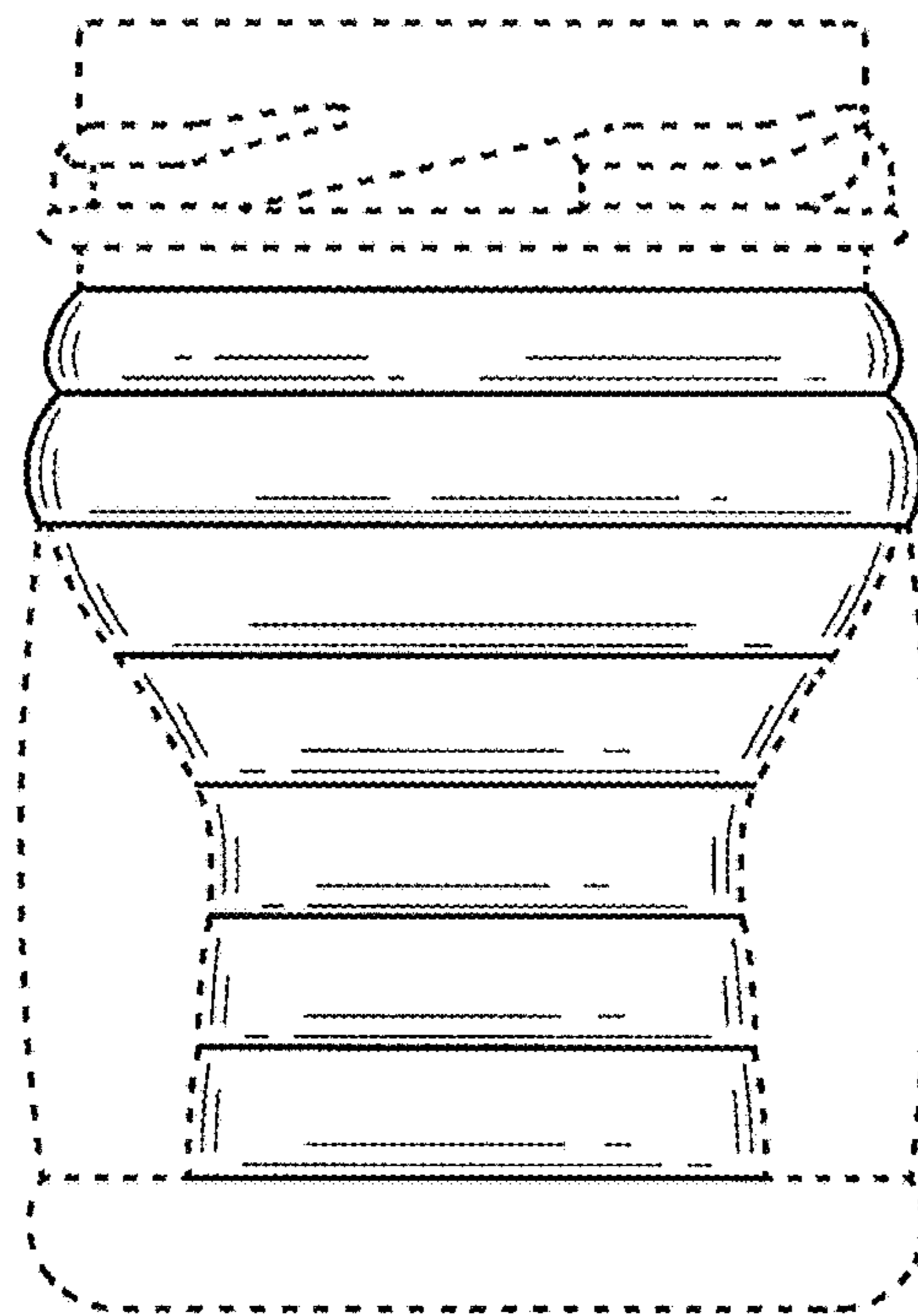


FIG. 6

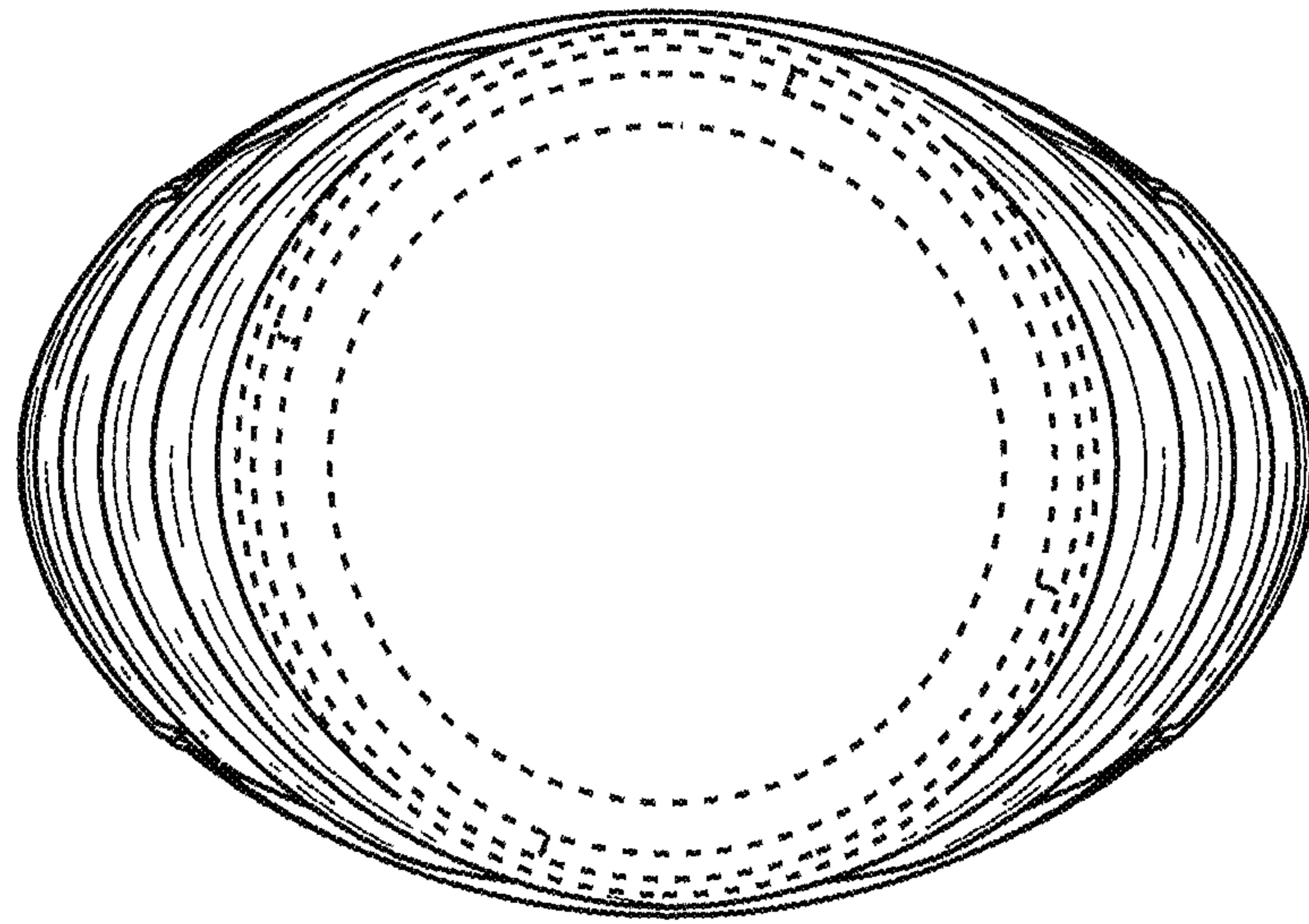


FIG. 7

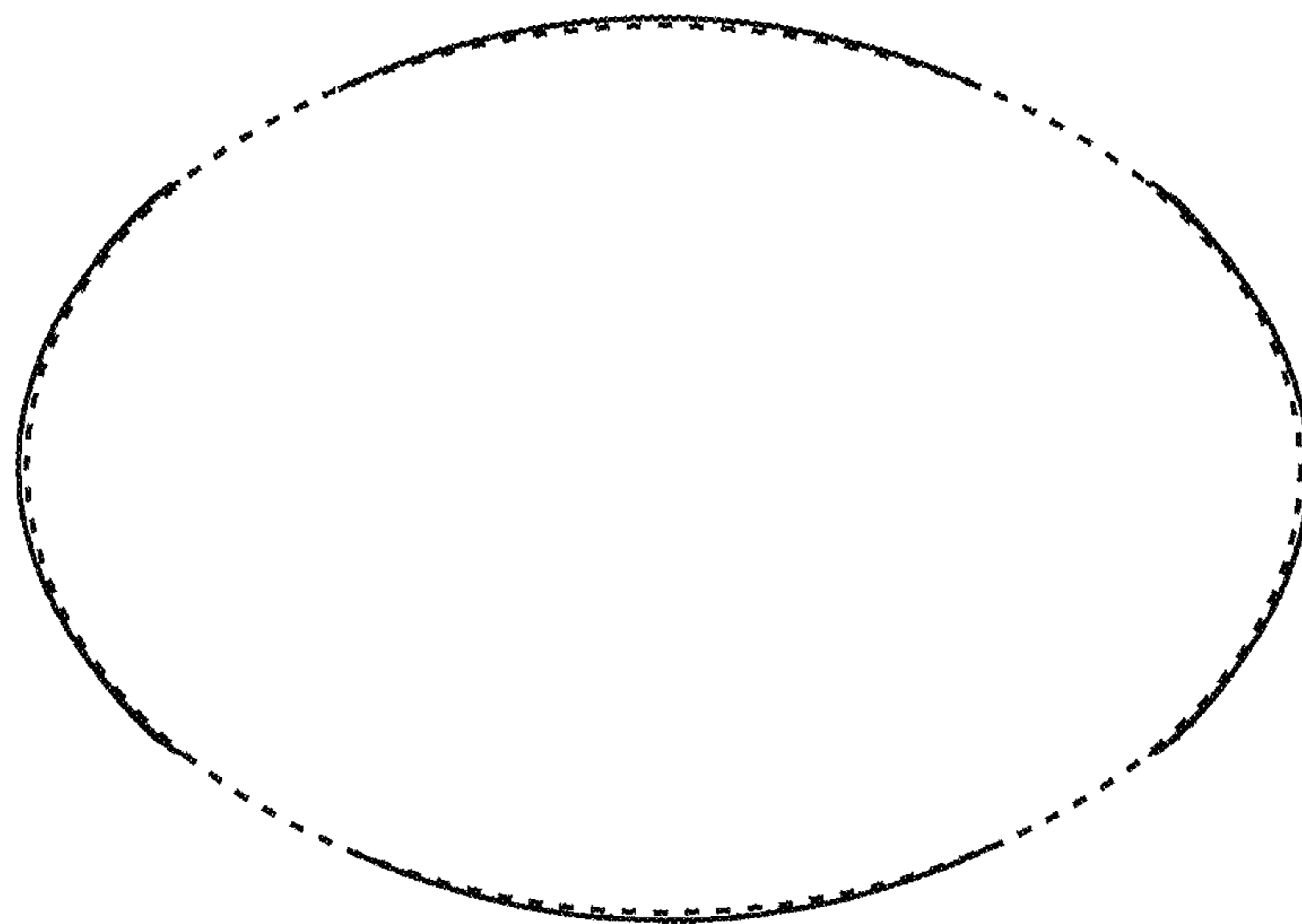


FIG. 8