



US00D868586S

(12) **United States Design Patent**
Andersen et al.

(10) **Patent No.:** **US D868,586 S**

(45) **Date of Patent:** **** Dec. 3, 2019**

- (54) **BOTTLE**
- (71) Applicant: **PepsiCo, Inc.**, Purchase, NY (US)
- (72) Inventors: **Chase Andersen**, Elburn, IL (US);
Toby Richard David Wingfield,
Crystal Lake, IL (US); **Lori Evans**
Bartman, Sylvania, OH (US); **Robert**
J. Groll, Oregon, OH (US)
- (73) Assignee: **PepsiCo, Inc.**, Purchase, NY (US)
- (**) Term: **15 Years**
- (21) Appl. No.: **29/685,638**
- (22) Filed: **Mar. 29, 2019**
- (51) **LOC (12) Cl.** **09-01**
- (52) **U.S. Cl.**
USPC **D9/538; D9/540**
- (58) **Field of Classification Search**
USPC D9/434, 516, 530, 537-541, 549, 552,
D9/556-558, 575, 715, 719
CPC B65D 1/00; B65D 1/02; B65D 1/0223;
B65D 1/44; B65D 23/00; B65D 23/102;
B65D 2501/00; B65D 2501/0009; B65D
2501/0018; B65D 2501/0036; B65D
2501/0081
See application file for complete search history.

(56) **References Cited**
U.S. PATENT DOCUMENTS

D350,457 S	9/1994	Bailey
D379,154 S	5/1997	Cox
D389,744 S	1/1998	Noe et al.
5,704,504 A	1/1998	Bueno
D399,431 S	10/1998	de Baschmakoff
D420,291 S	2/2000	Gnann et al.
D425,796 S	5/2000	Ouranthon
D428,813 S	8/2000	Haley

D429,166 S	8/2000	Ogg
D430,456 S	9/2000	Thuma
D431,735 S	10/2000	Sullivan
D437,774 S	2/2001	Piccioli et al.
D438,099 S	2/2001	Piccioli et al.
D438,455 S	3/2001	Bretz et al.
D444,701 S	7/2001	Zboch et al.
D446,112 S	8/2001	Bretz et al.
D449,980 S	11/2001	Piccioli et al.
D459,231 S	6/2002	Crawford et al.
D459,232 S	6/2002	Crawford et al.
D466,020 S	11/2002	Crawford et al.
D466,415 S	12/2002	Reis
D484,805 S	1/2004	Colangelo et al.
D486,067 S	2/2004	Colangelo et al.
D503,341 S	3/2005	Delmotte
D506,931 S	7/2005	Delmotte
D507,490 S	7/2005	Mero et al.

(Continued)

Primary Examiner — Dana Meyrow

(74) *Attorney, Agent, or Firm* — Sterne, Kessler,
Goldstein & Fox P.L.L.C.

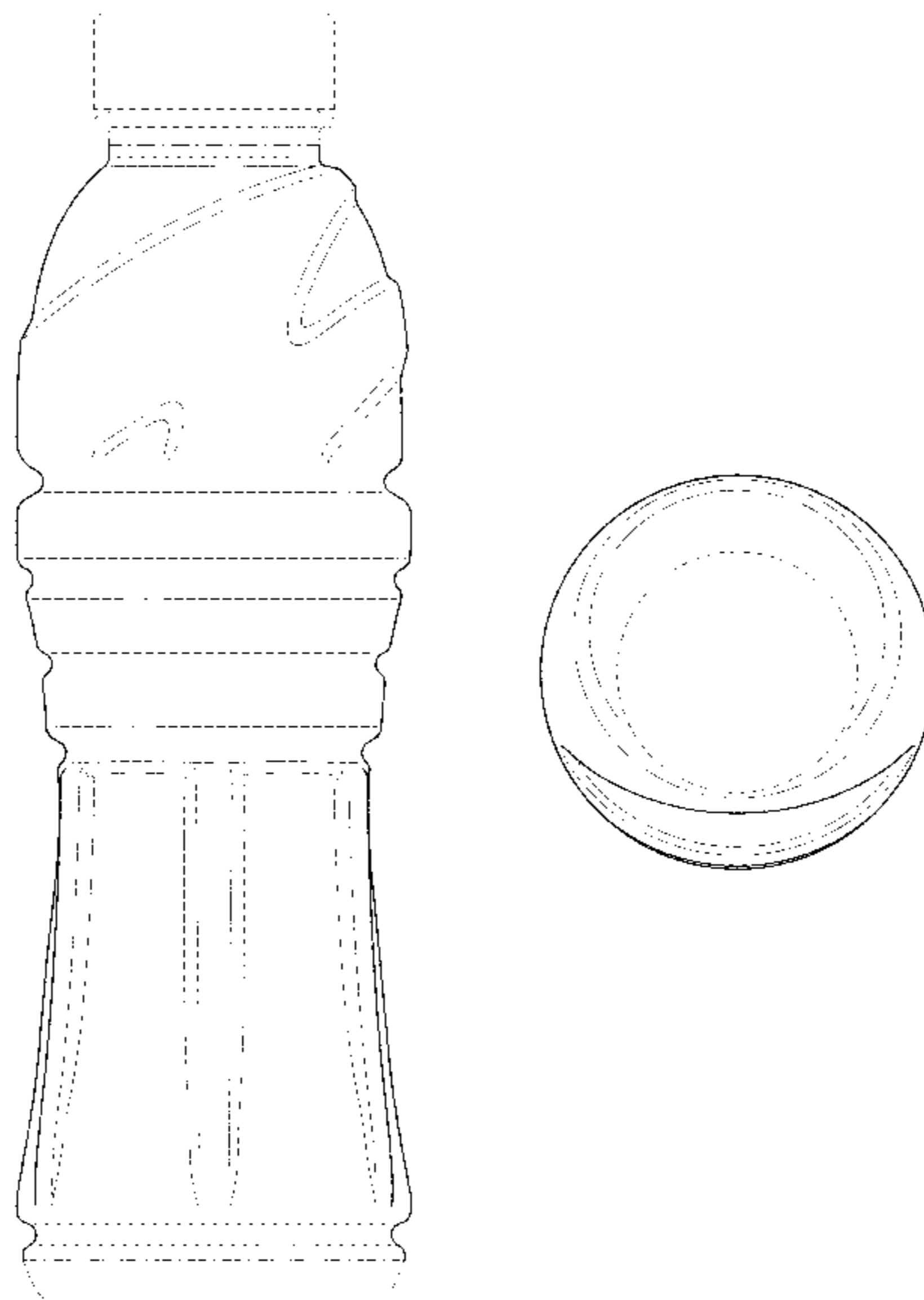
(57) **CLAIM**

The ornamental design for a bottle, as shown and described.

DESCRIPTION

FIG. 1 is a top perspective view of a bottle showing the claimed design;
 FIG. 2 is a bottom perspective view thereof;
 FIG. 3 is a front view thereof;
 FIG. 4 is a rear view thereof;
 FIG. 5 is a right side view thereof;
 FIG. 6 is a left side view thereof;
 FIG. 7 is a top view thereof; and,
 FIG. 8 is a bottom view thereof.
 The dashed broken lines in the figures show portions of the bottle that form no part of the claimed design.
 The dot-dash broken lines in the figures show boundaries that form no part of the claimed design.

1 Claim, 5 Drawing Sheets



(56)

References Cited

U.S. PATENT DOCUMENTS

D515,427 S 2/2006 Schuller et al.
 D521,868 S 5/2006 Arima
 D523,345 S * 6/2006 Kamineni D9/537
 D524,165 S 7/2006 Scott
 D528,431 S 9/2006 Brandt et al.
 D530,214 S 10/2006 Scott
 D530,219 S 10/2006 Brandt et al.
 D535,567 S 1/2007 Snyder
 D538,658 S 3/2007 Home et al.
 D540,680 S 4/2007 Perry et al.
 D545,194 S 6/2007 Goudsblom
 D545,203 S 6/2007 Perry et al.
 D548,083 S 8/2007 Bourne
 D550,096 S 9/2007 Zboch et al.
 D552,477 S 10/2007 Hermel
 D554,513 S 11/2007 Floyd et al.
 D554,514 S 11/2007 Floyd et al.
 D555,001 S 11/2007 Perry et al.
 D555,003 S 11/2007 Perry et al.
 D558,578 S 1/2008 Mongeon et al.
 D559,695 S 1/2008 Lesueur
 D561,596 S 2/2008 Hyde et al.
 D561,597 S 2/2008 Venkataraman et al.
 D564,359 S 3/2008 Trollope et al.
 D567,097 S 4/2008 Bourne
 D567,101 S 4/2008 Pierre
 D571,667 S 6/2008 Bourne
 D572,139 S 7/2008 Trollope et al.
 D573,890 S 7/2008 Mongeon et al.
 D575,158 S 8/2008 Boon
 D575,161 S 8/2008 Lepoitevin
 D576,042 S 9/2008 Oellevigne
 D581,285 S 11/2008 Lepoitevin
 D581,799 S 12/2008 Bourne
 D582,779 S 12/2008 Bourne
 D582,780 S 12/2008 Bourne
 D583,243 S 12/2008 Botti et al.
 D583,245 S 12/2008 Lepoitevin
 D584,628 S 1/2009 Lepoitevin
 D584,629 S 1/2009 Darr et al.
 D584,947 S 1/2009 Bourne
 D585,700 S 2/2009 Chu
 D589,817 S 4/2009 Shmagin
 D591,156 S 4/2009 George et al.
 D591,609 S 5/2009 Smagin
 D591,610 S 5/2009 Shmagin
 D592,063 S 5/2009 Floyd et al.
 D592,069 S 5/2009 Kruparova
 D599,671 S 9/2009 Bourne
 D600,559 S 9/2009 Lepoitevin
 D601,031 S 9/2009 Martinez et al.
 D601,903 S 10/2009 Lepoitevin

D602,363 S 10/2009 Chaffier
 D602,367 S 10/2009 Lepoitevin
 D602,370 S 10/2009 Bourne
 D602,782 S 10/2009 Lepoitevin
 D602,783 S 10/2009 Lepoitevin
 D603,268 S 11/2009 Bourne
 D603,709 S 11/2009 Lepoitevin
 D603,711 S 11/2009 Lepoitevin
 D604,169 S 11/2009 Melossi
 D605,947 S 12/2009 Debuire
 D608,203 S 1/2010 Yourist
 D608,216 S 1/2010 Priore et al.
 D608,217 S 1/2010 Priore et al.
 D609,105 S 2/2010 Tiefenback
 D609,108 S 2/2010 George et al.
 D610,011 S 2/2010 De Pieretti
 D610,913 S 3/2010 Lesueur
 D612,243 S 3/2010 White et al.
 D612,733 S 3/2010 Eugui et al.
 D613,166 S 4/2010 Bentley
 D616,762 S 6/2010 Caldwell et al.
 D617,647 S 6/2010 Bledsoe et al.
 D618,552 S 6/2010 Dabrowski
 D620,362 S 7/2010 Boukobza
 D621,264 S 8/2010 Williams
 D621,711 S 8/2010 Williams
 D622,597 S 8/2010 Dabrowski
 D623,012 S 9/2010 White et al.
 D623,950 S 9/2010 Eugui et al.
 D623,951 S 9/2010 Eugui et al.
 D624,423 S 9/2010 Kissinger et al.
 D634,588 S 3/2011 Cook et al.
 D642,471 S 8/2011 White et al.
 D643,735 S 8/2011 Sherwood
 D644,927 S 9/2011 White et al.
 D644,929 S 9/2011 White et al.
 D644,930 S 9/2011 White et al.
 D651,906 S 1/2012 White et al.
 D652,307 S 1/2012 White et al.
 D653,951 S 2/2012 Scott
 D667,306 S 9/2012 Vereia
 8,308,006 B2 * 11/2012 Nievierowski B65D 1/0276
 215/379
 D682,700 S 5/2013 White et al.
 D689,375 S * 9/2013 Garner D9/502
 D737,145 S 8/2015 Boon et al.
 D742,238 S * 11/2015 Llewellyn D9/538
 D746,687 S * 1/2016 Yourist D9/502
 D767,404 S * 9/2016 Eaton D9/538
 D843,220 S * 3/2019 Talsania D9/552
 D858,297 S * 9/2019 Cortadellas D9/575
 2008/0073315 A1 3/2008 Hermel et al.
 2010/0155359 A1 6/2010 Simon et al.
 2011/0186538 A1 8/2011 Strasser et al.

* cited by examiner

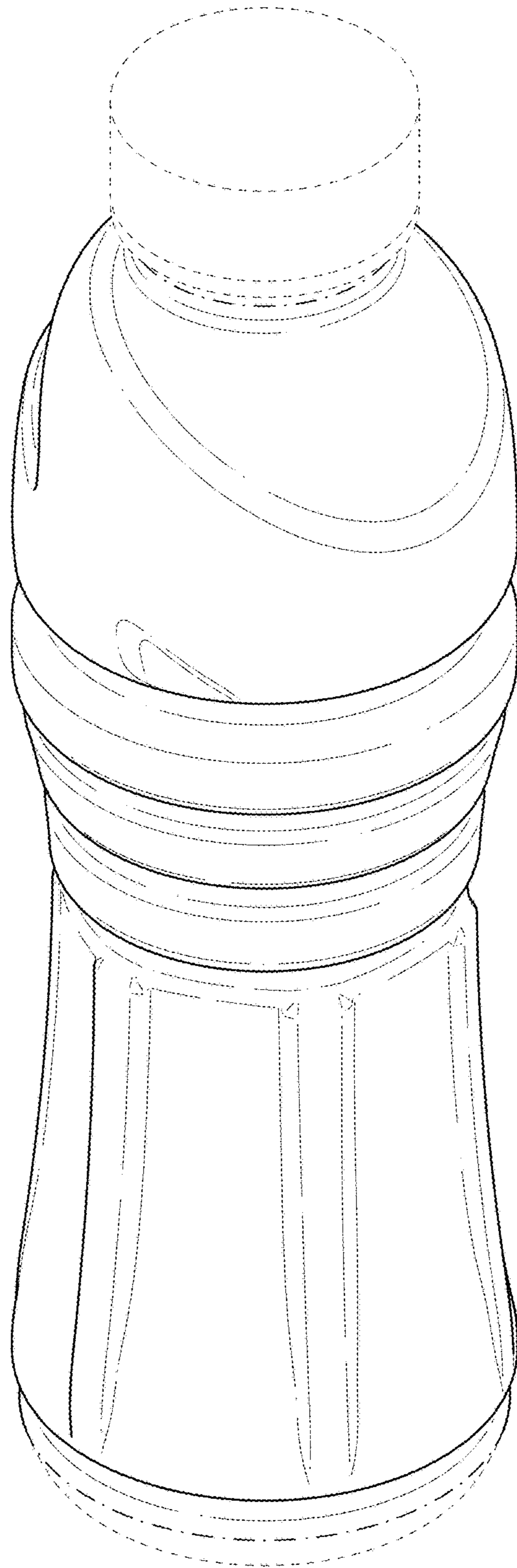


FIG. 1

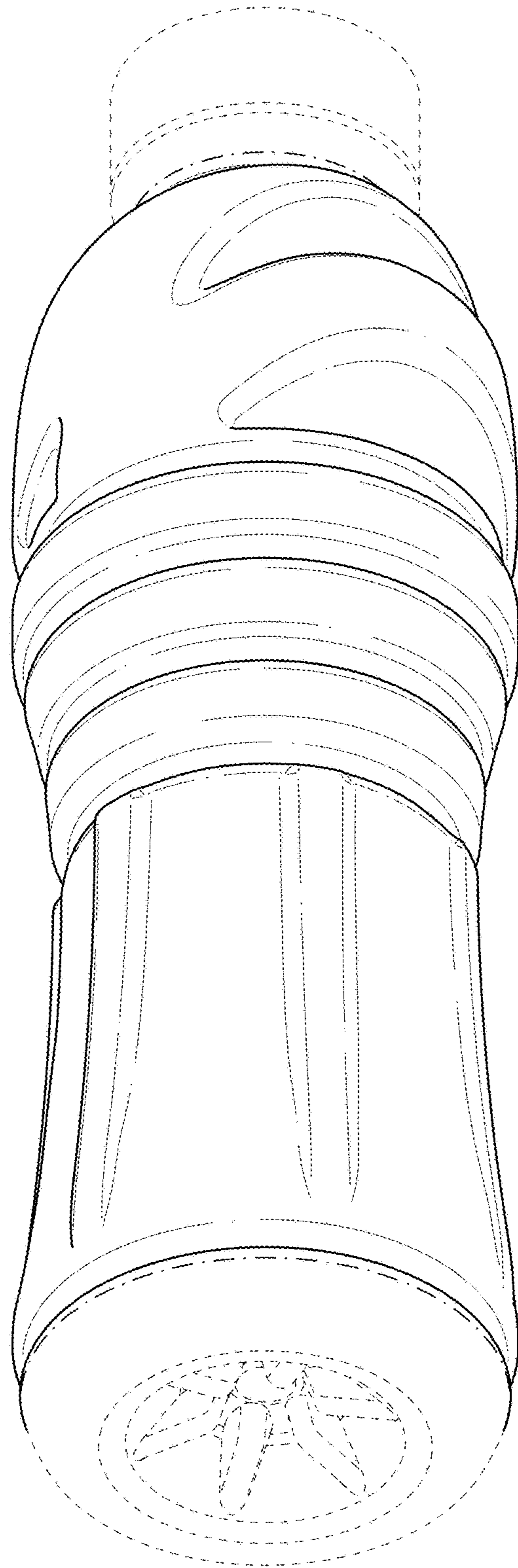


FIG. 2

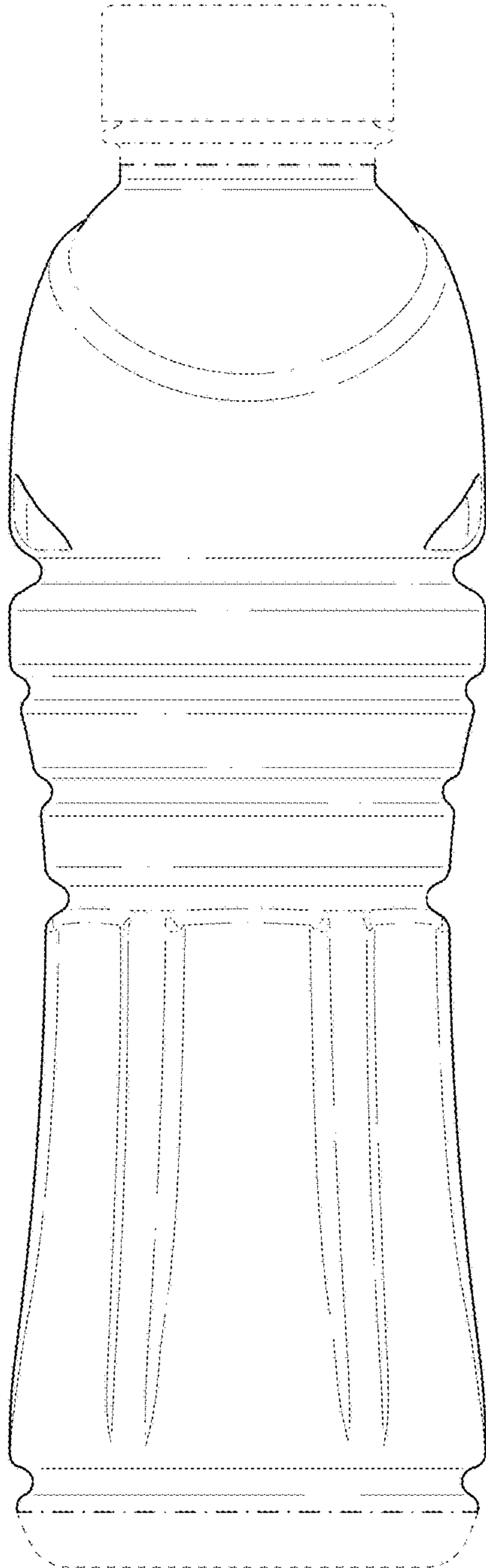


FIG. 3

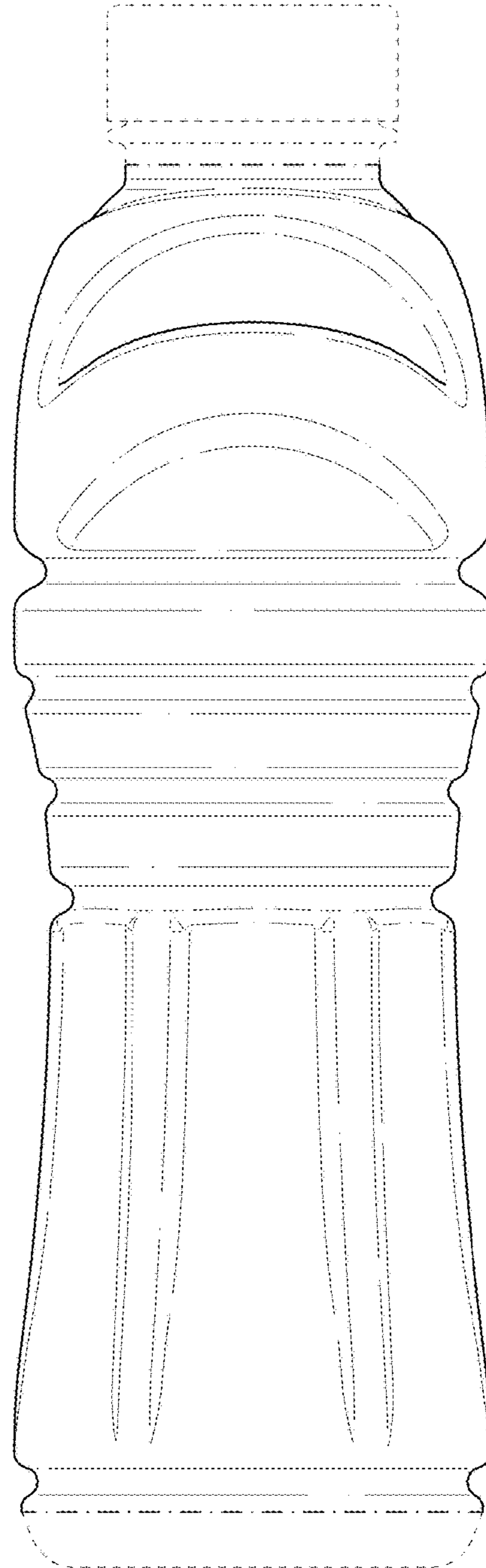


FIG. 4

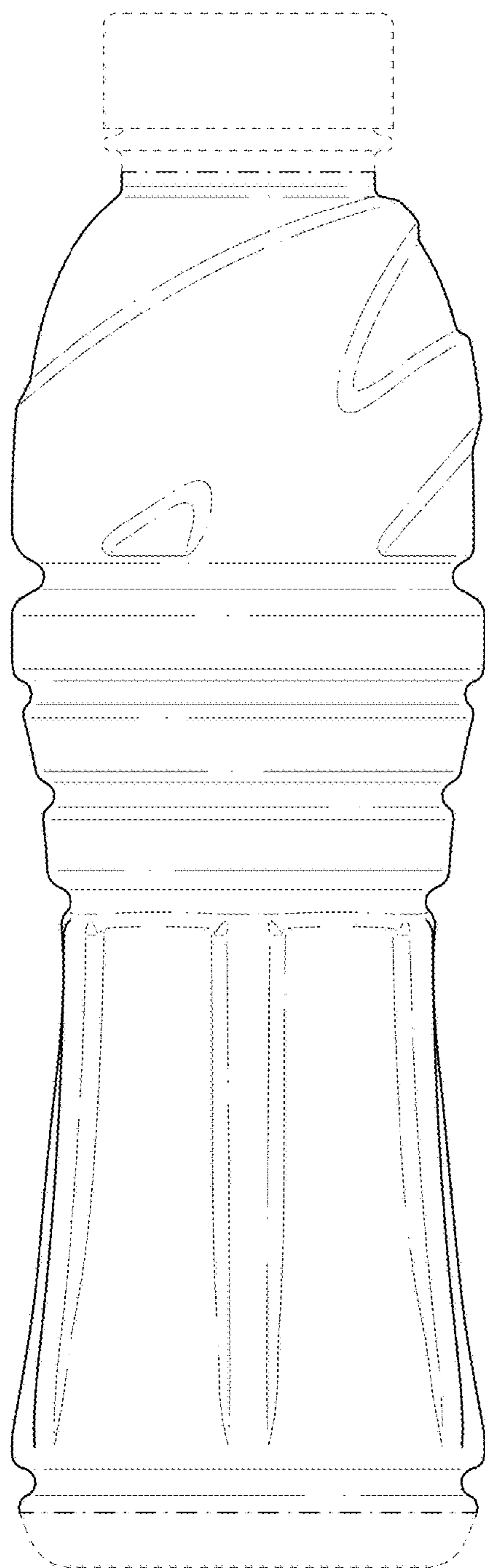


FIG. 5

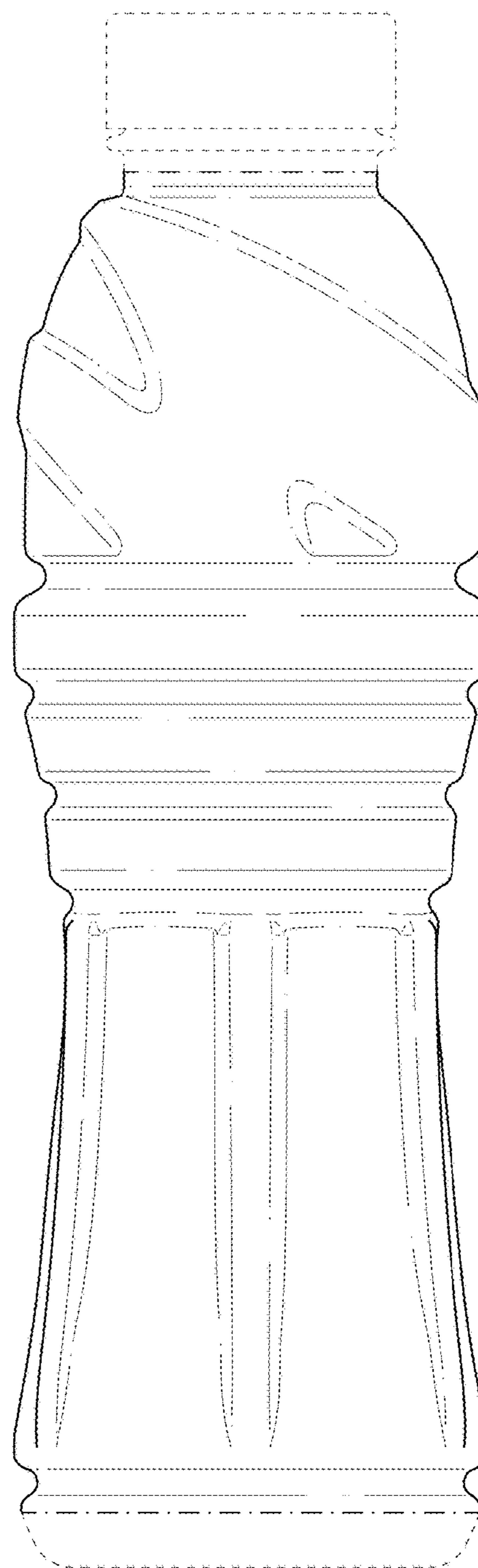


FIG. 6

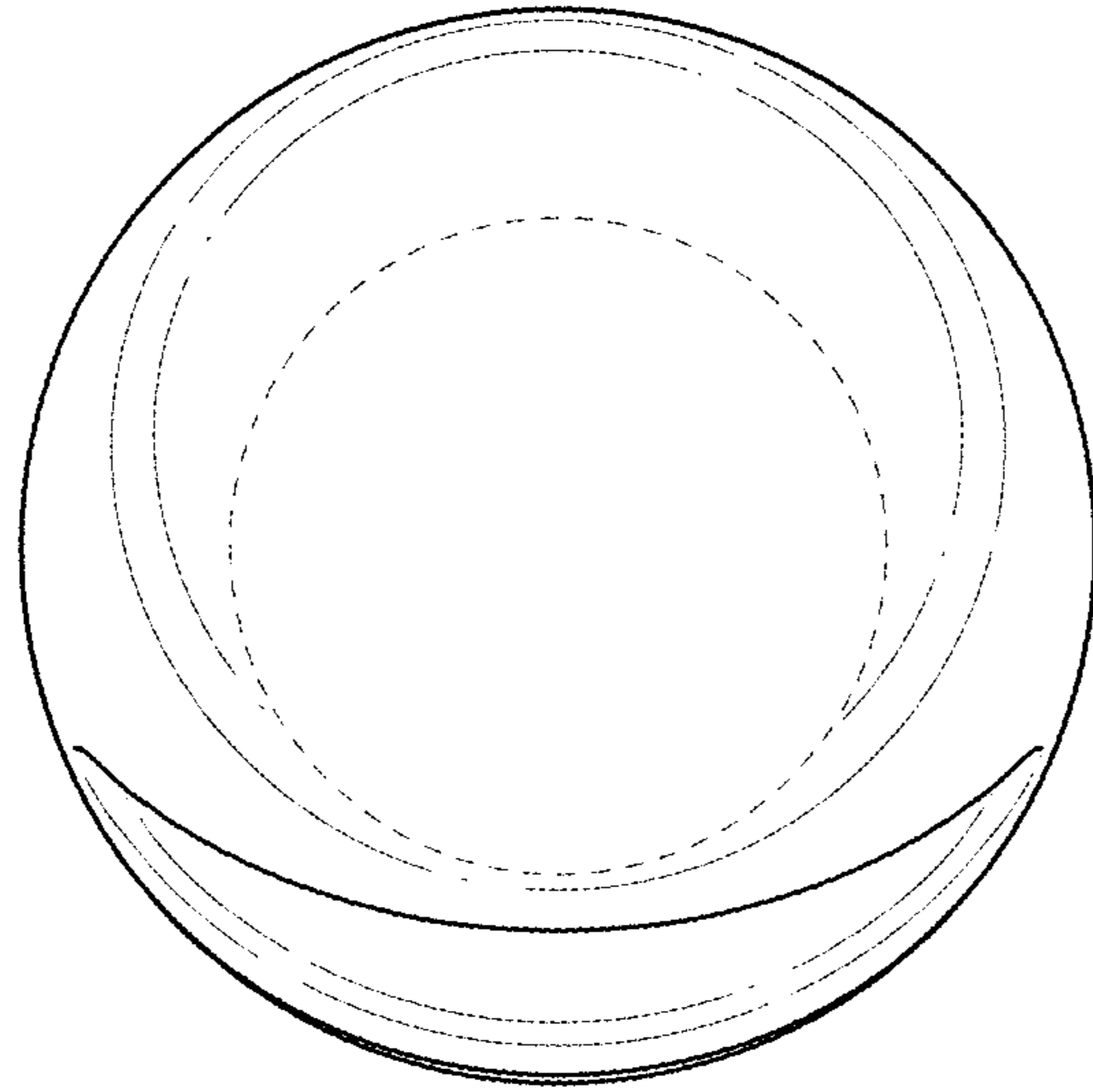


FIG. 7

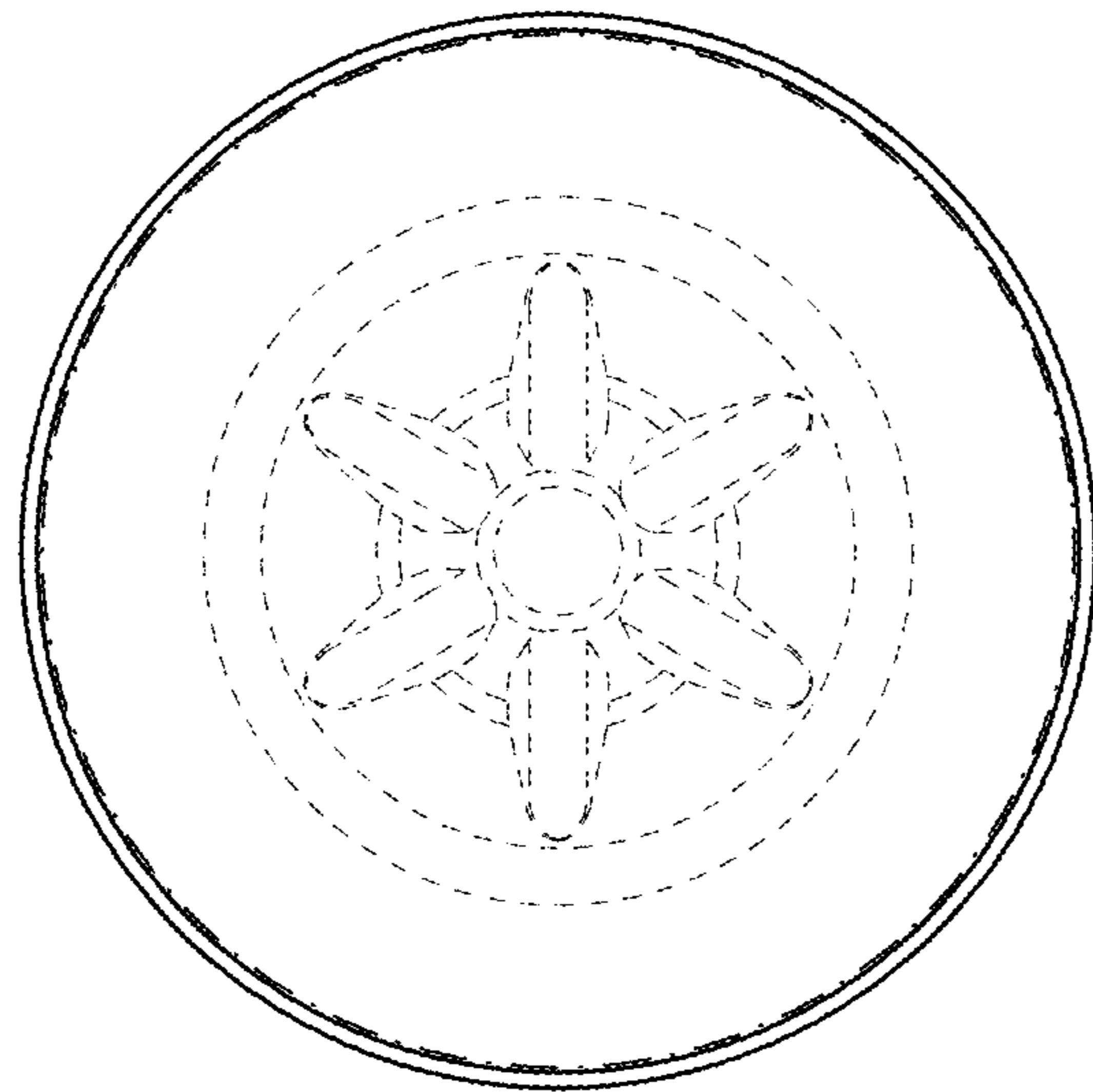


FIG. 8