



US00D868585S

(12) **United States Design Patent** (10) **Patent No.:** **US D868,585 S**
Klok et al. (45) **Date of Patent:** **** Dec. 3, 2019**

- (54) **BOTTLE**
- (71) Applicant: **The Coca-Cola Company**, Atlanta, GA (US)
- (72) Inventors: **Jeffrey Klok**, Atlanta, GA (US); **Venkat Govindarajan**, Duluth, GA (US); **Feng Shi**, Marietta, GA (US); **Sterling Lane Steward**, Douglasville, GA (US); **Martin T. Geithmann**, Lexington, KY (US); **Gajendra Pandey**, Atlanta, GA (US)
- (73) Assignee: **The Coca-Cola Company**, Atlanta, GA (US)
- (**) Term: **15 Years**

- (21) Appl. No.: **29/639,360**
- (22) Filed: **Mar. 6, 2018**
- (51) **LOC (12) Cl.** **09-01**
- (52) **U.S. Cl.**
USPC **D9/538**; D9/519; D9/558
- (58) **Field of Classification Search**
USPC D9/516, 520, 522, 530, 537, 539, 540, D9/542, 543, 544, 549, 550, 552, 553, D9/554, 556, 557, 558, 571, 574, 715, D9/719, 538; D7/509-511, 523
CPC B65D 81/00; B65D 1/02; B65D 1/0207; B65D 1/0223; B65D 1/0284; B65D 2501/0027
See application file for complete search history.

(56) **References Cited**
U.S. PATENT DOCUMENTS

- D501,404 S * 2/2005 Dalton D9/539
- D611,828 S * 3/2010 Lepoitevin D9/538

- D619,899 S * 7/2010 Mero D9/516
- D623,529 S * 9/2010 Yourist D9/538
- D624,427 S * 9/2010 Yourist D9/538
- D651,905 S * 1/2012 Bartolomei D9/538
- D653,957 S * 2/2012 Yourist D9/552
- D656,833 S * 4/2012 Perez D9/538
- D749,423 S * 2/2016 Daniel D9/539
- D763,090 S * 8/2016 Zeng D9/538
- D773,310 S * 12/2016 Zeng D9/538
- D779,959 S * 2/2017 Price D9/500
- D810,570 S * 2/2018 Price D9/500

* cited by examiner

Primary Examiner — Shannon W Morgan
Assistant Examiner — Keith Frank
(74) *Attorney, Agent, or Firm* — Parks IP Law LLC

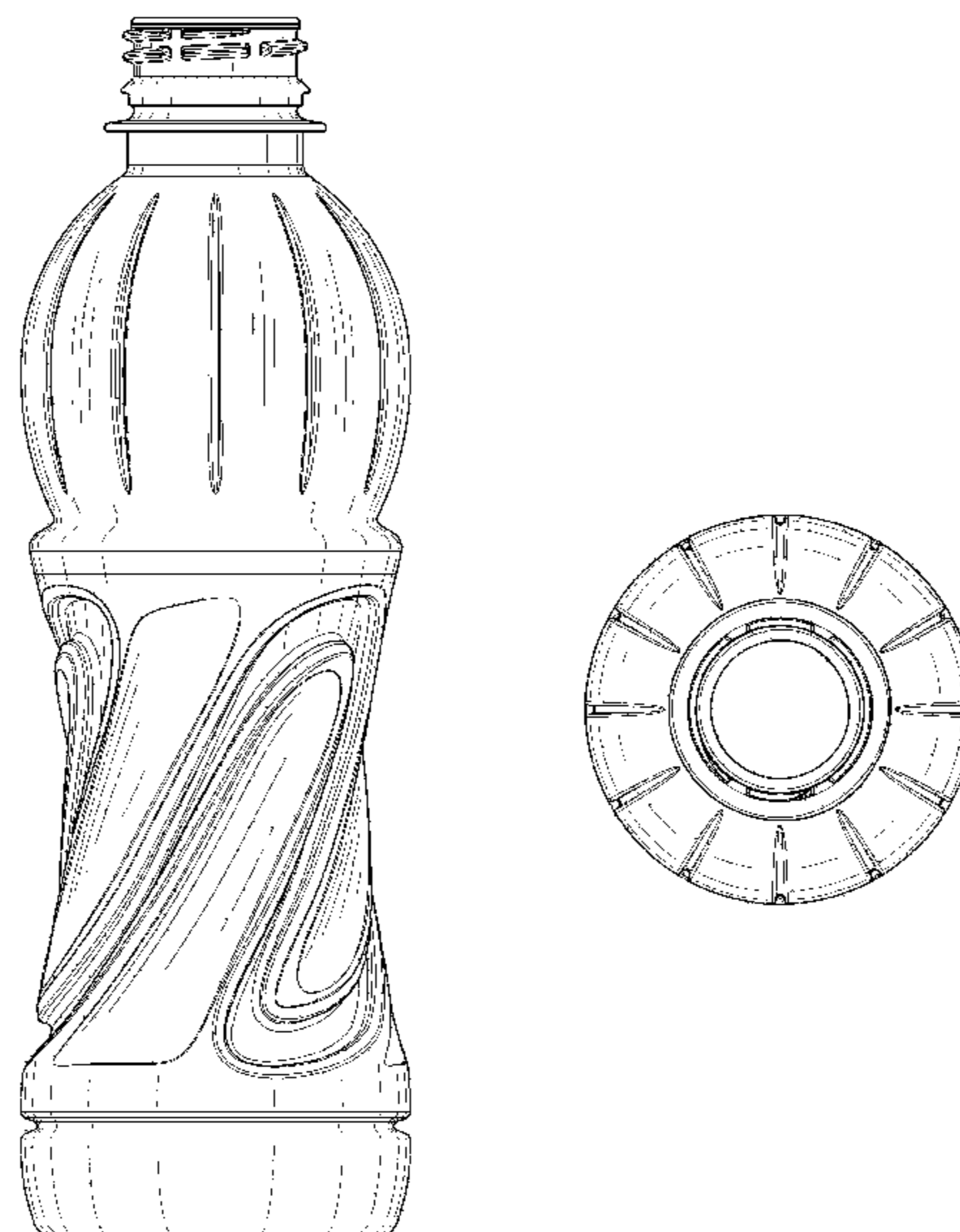
(57) **CLAIM**

We claim the ornamental design for a bottle, as shown and described.

DESCRIPTION

FIG. 1 is a perspective view of the bottle in accordance with our new design;
FIG. 2 is a right view thereof;
FIG. 3 is a left view thereof;
FIG. 4 is a front view thereof;
FIG. 5 is a back view thereof;
FIG. 6 is a top view thereof; and,
FIG. 7 is a bottom view thereof.
The broken lines in the drawings showing of the bottle illustrate the portions of the bottle that form no part of the claimed design.

1 Claim, 4 Drawing Sheets



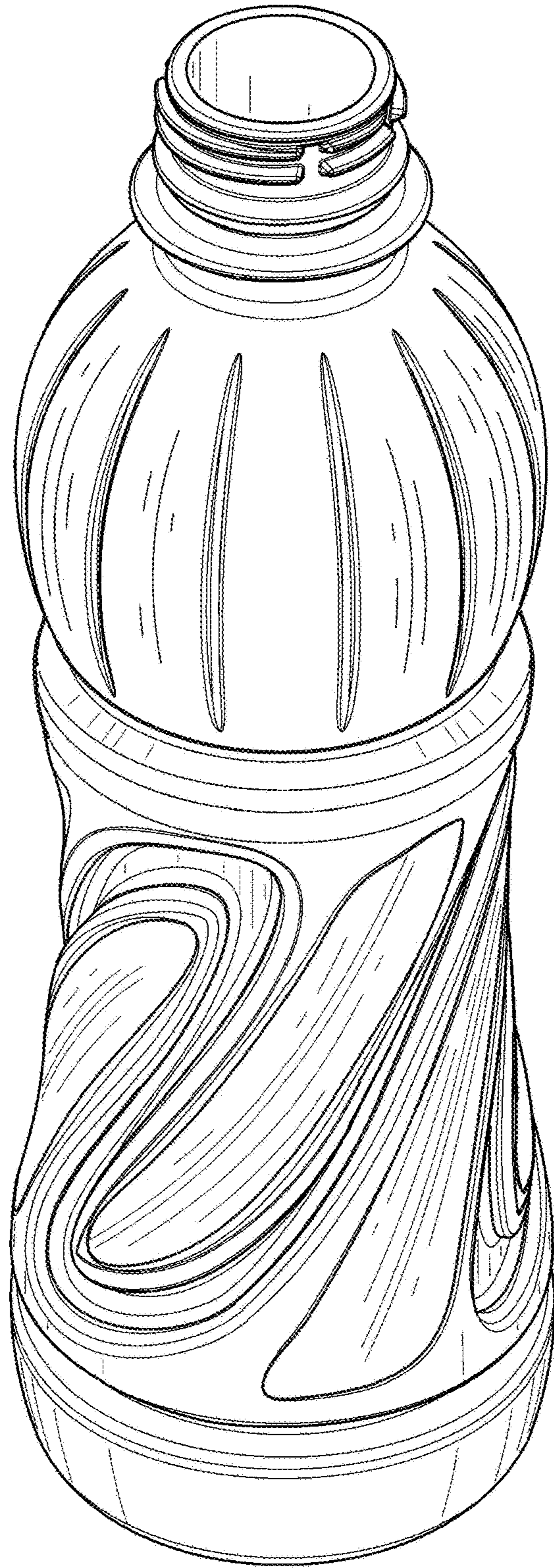


FIG. 1

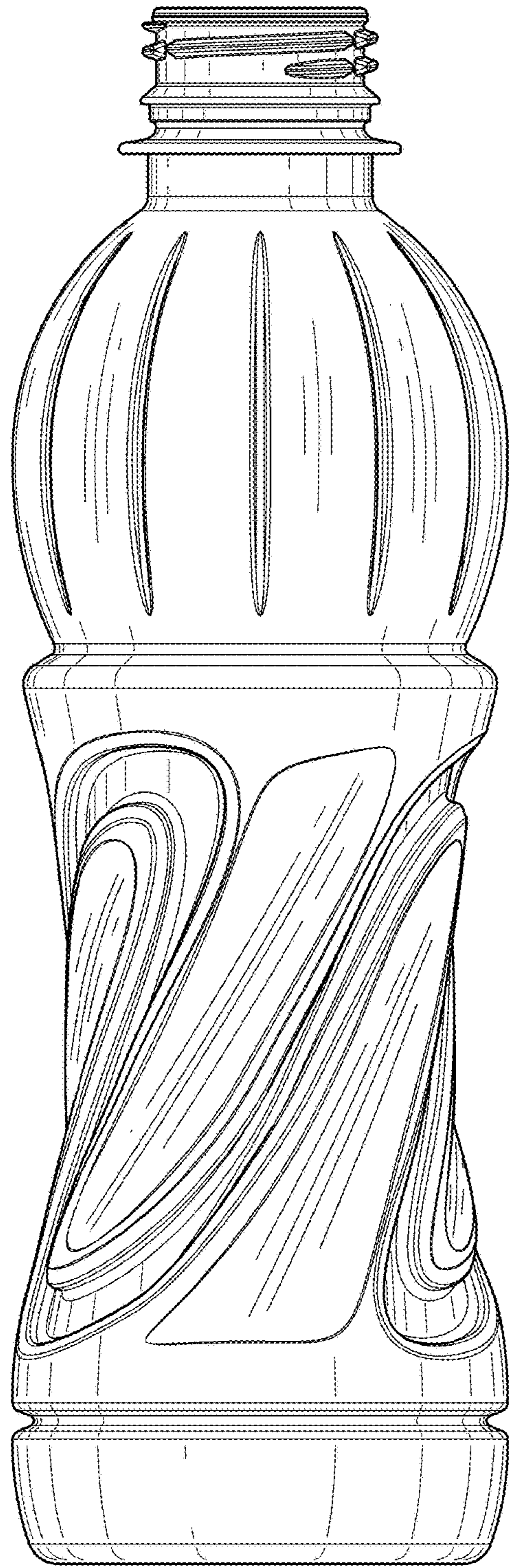


FIG. 2

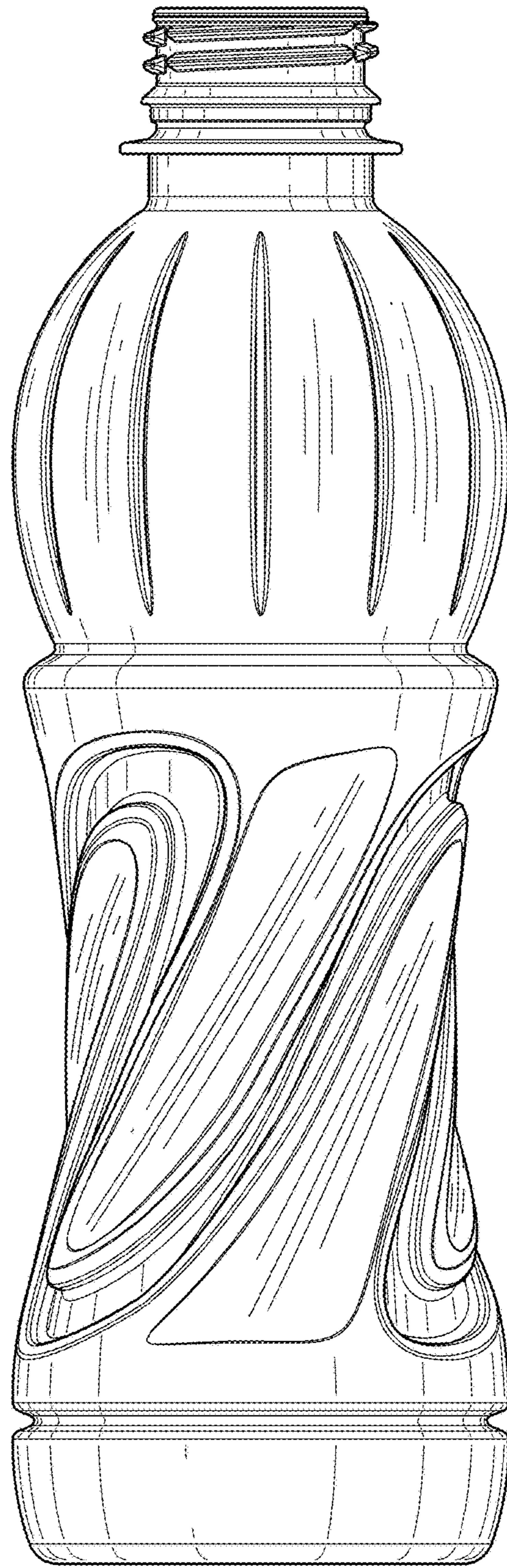


FIG. 3

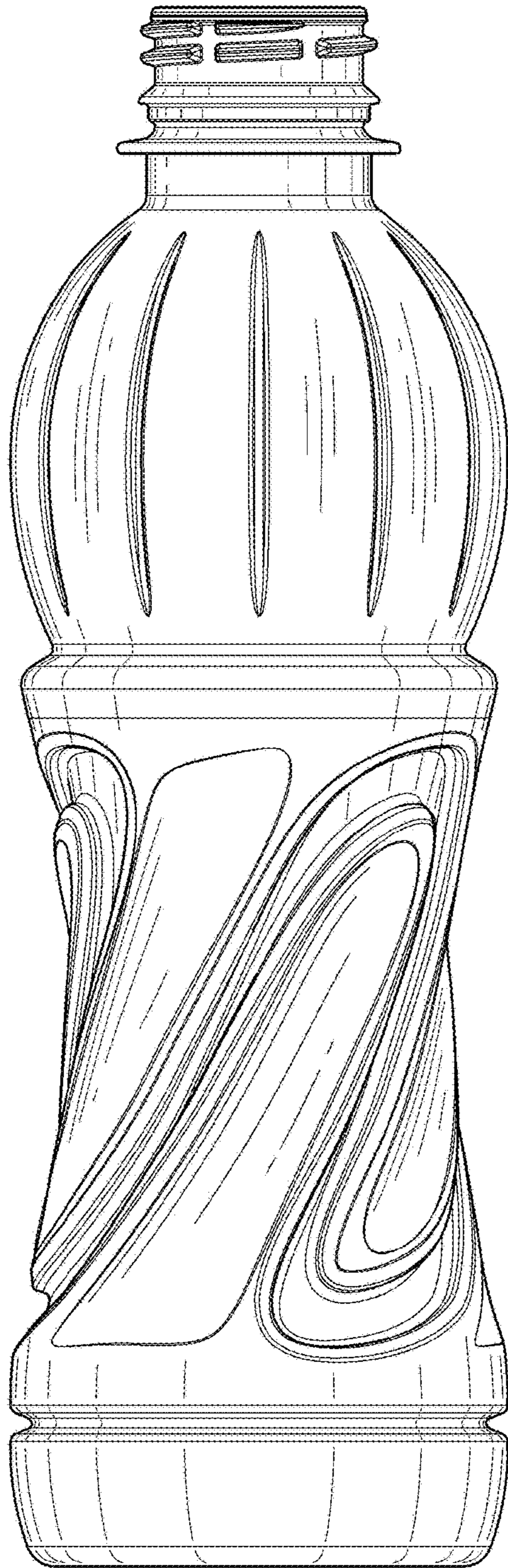


FIG. 4

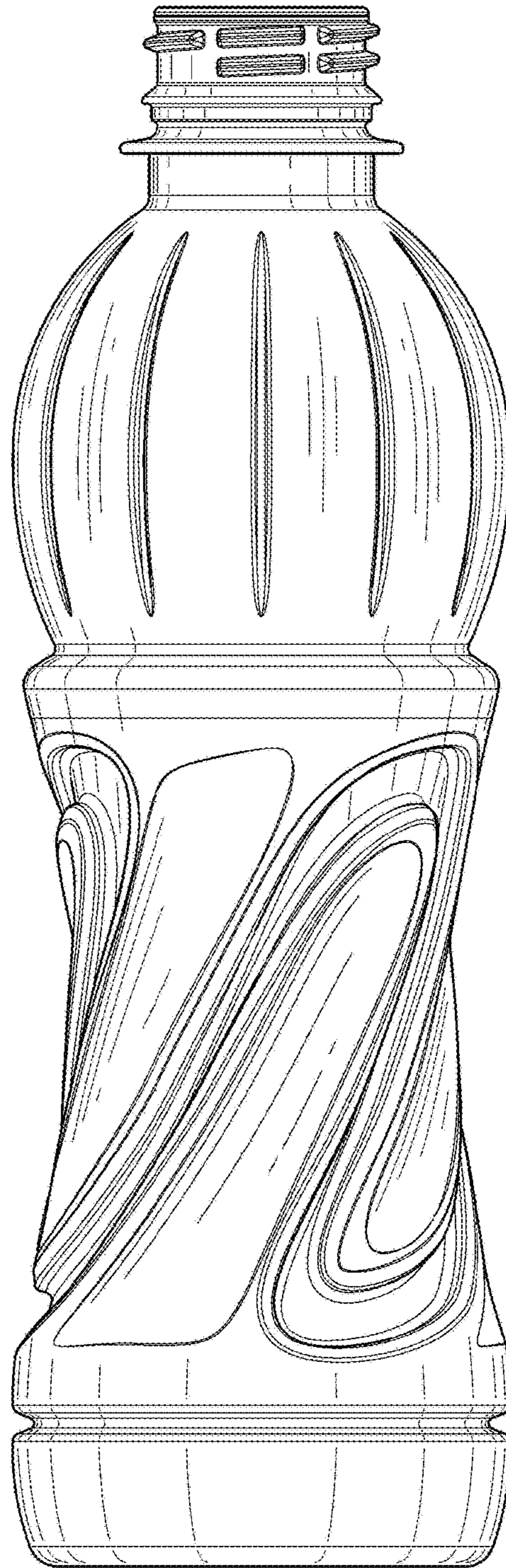


FIG. 5

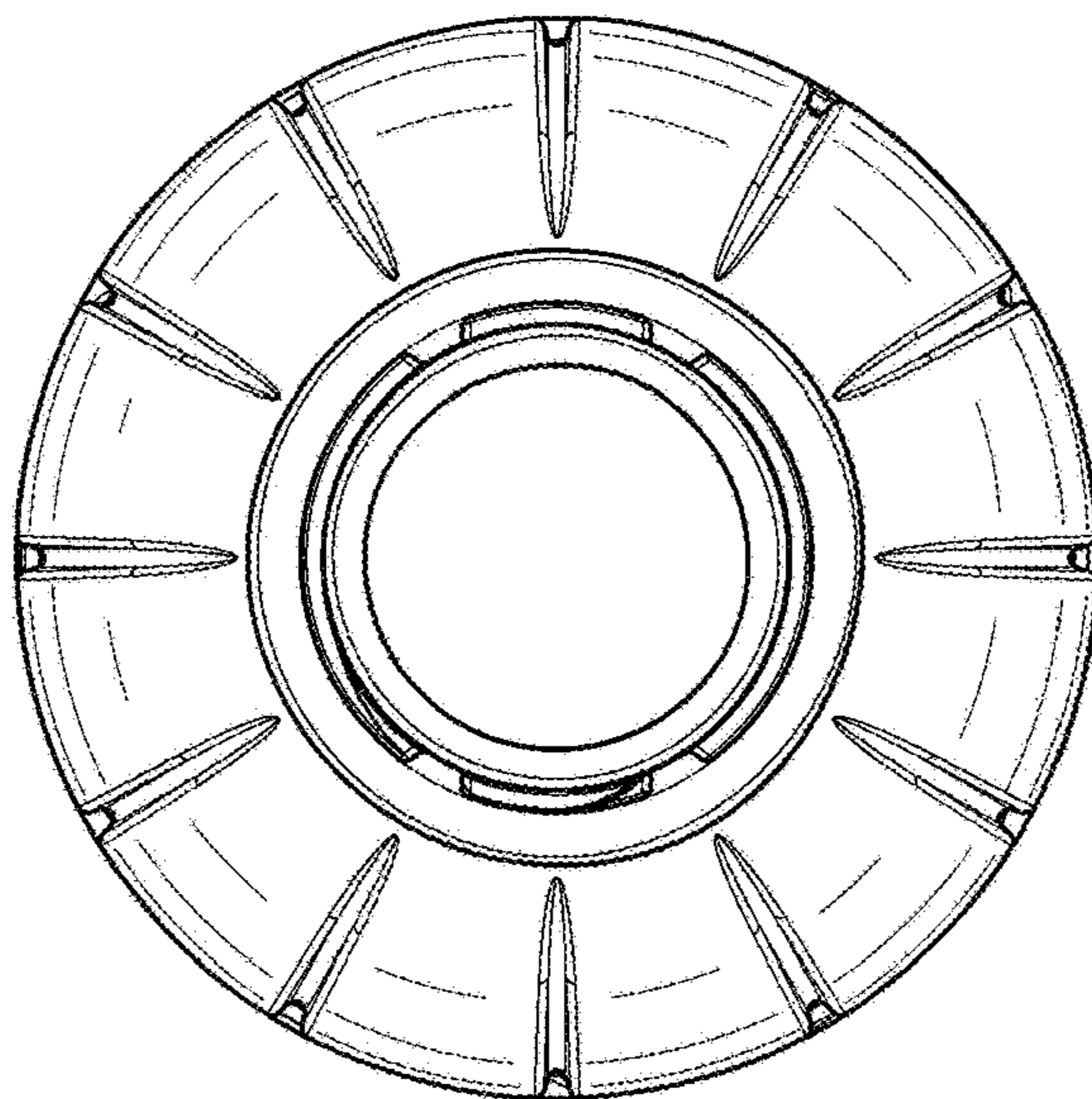


FIG. 6

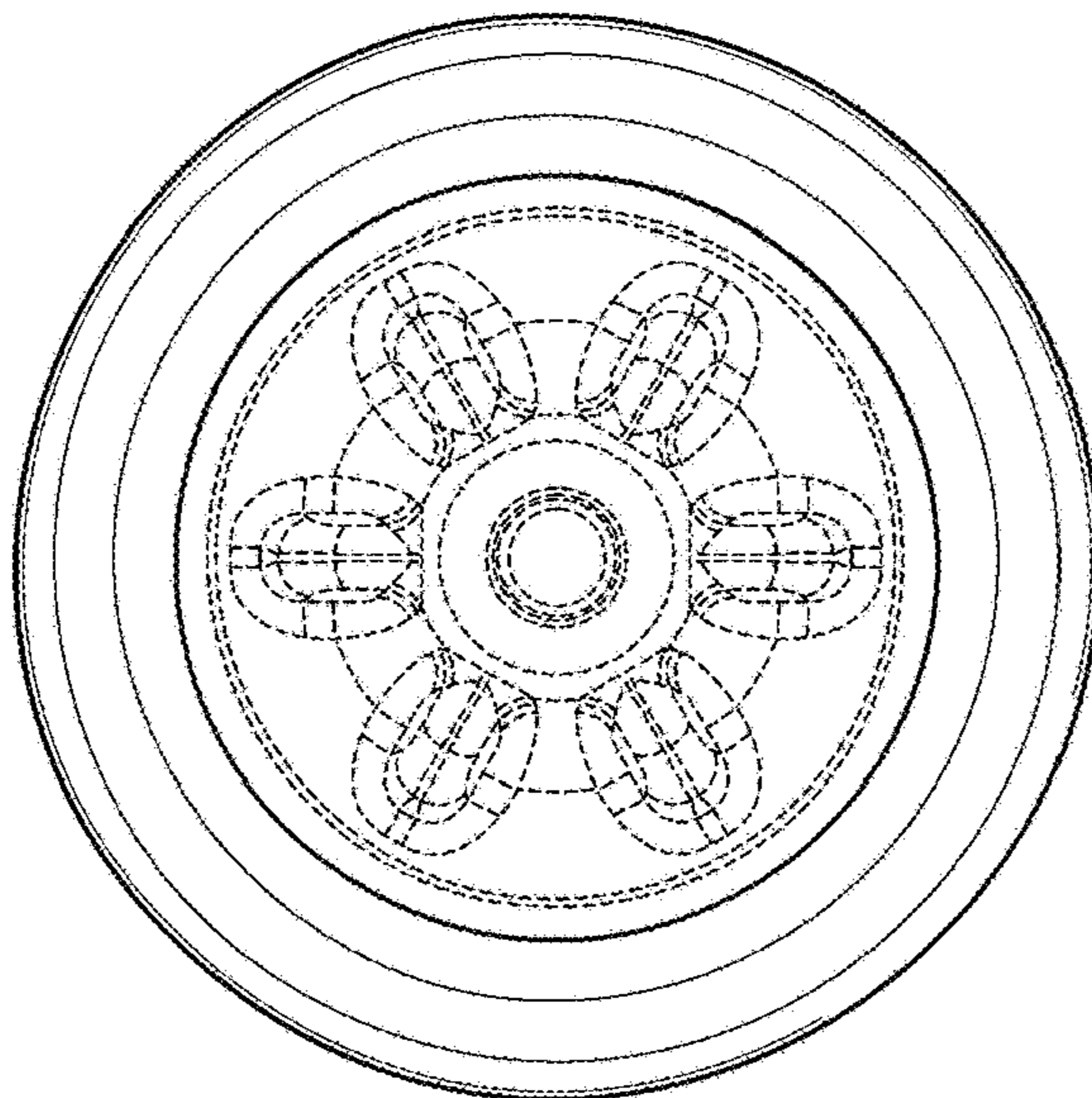


FIG. 7