



US00D868583S

(12) **United States Design Patent**  
**Palmer**

(10) **Patent No.:** **US D868,583 S**

(45) **Date of Patent:** **\*\* Dec. 3, 2019**

(54) **SPOUT**

(71) Applicant: **Consolidated Container Company LP**,  
Atlanta, GA (US)

(72) Inventor: **Joey Palmer**, Marietta, GA (US)

(73) Assignee: **Consolidated Container Company LP**,  
Atlanta, GA (US)

(\*\*) Term: **15 Years**

(21) Appl. No.: **29/676,824**

(22) Filed: **Jan. 15, 2019**

**Related U.S. Application Data**

(62) Division of application No. 29/597,604, filed on Mar.  
17, 2017, now Pat. No. Des. 843,836.

(51) **LOC (12) Cl.** ..... **09-01**

(52) **U.S. Cl.**  
USPC ..... **D9/516**

(58) **Field of Classification Search**  
USPC ..... D9/434, 436, 440, 445, 447, 449, 453,  
D9/454, 516, 528, 531, 540-543, 558,  
D9/715, 719

CPC ..... B65D 1/023; B65D 41/0442  
See application file for complete search history.

(56) **References Cited**

**U.S. PATENT DOCUMENTS**

- D374,826 S \* 10/1996 Mackinson ..... D9/542
- 5,833,115 A \* 11/1998 Eiten ..... B65D 1/0223  
220/669
- D415,035 S \* 10/1999 Ankney ..... D9/531
- 6,527,133 B1 \* 3/2003 McCollum ..... B65D 1/0223  
215/382
- D488,381 S 4/2004 Peronek
- D488,721 S 4/2004 Peronek
- D494,068 S 8/2004 Taylor et al.
- D538,662 S 3/2007 Goetz et al.

- D560,118 S 1/2008 Higgins
- D568,753 S 5/2008 Woolf
- D587,118 S 2/2009 Sadiq et al.
- D653,114 S \* 1/2012 Rivera ..... D9/531
- D660,161 S 5/2012 Braun et al.
- D678,072 S 3/2013 Lobbestael et al.
- D678,774 S \* 3/2013 Lobbestael ..... D9/531
- D690,599 S 10/2013 Moore et al.
- D691,048 S 10/2013 Kanda et al.
- D696,953 S 1/2014 Kanda et al.

(Continued)

**OTHER PUBLICATIONS**

Canadian Intellectual Property Office, Examiner's Report for Canadian Patent Application No. 176963, dated Mar. 21, 2018, 3 pages, Canada.

(Continued)

*Primary Examiner* — Ian Simmons

*Assistant Examiner* — Keith Frank

(74) *Attorney, Agent, or Firm* — Alston & Bird LLP

(57) **CLAIM**

The ornamental design for a spout, as shown and described.

**DESCRIPTION**

FIG. 1 is a rear, left, top perspective view of a spout according to my new design;

FIG. 2 is a left side view of the spout of FIG. 1.

FIG. 3 is a rear view of the spout of FIG. 1.

FIG. 4 is a right side view of the spout of FIG. 1.

FIG. 5 is a front view of the spout of FIG. 1.

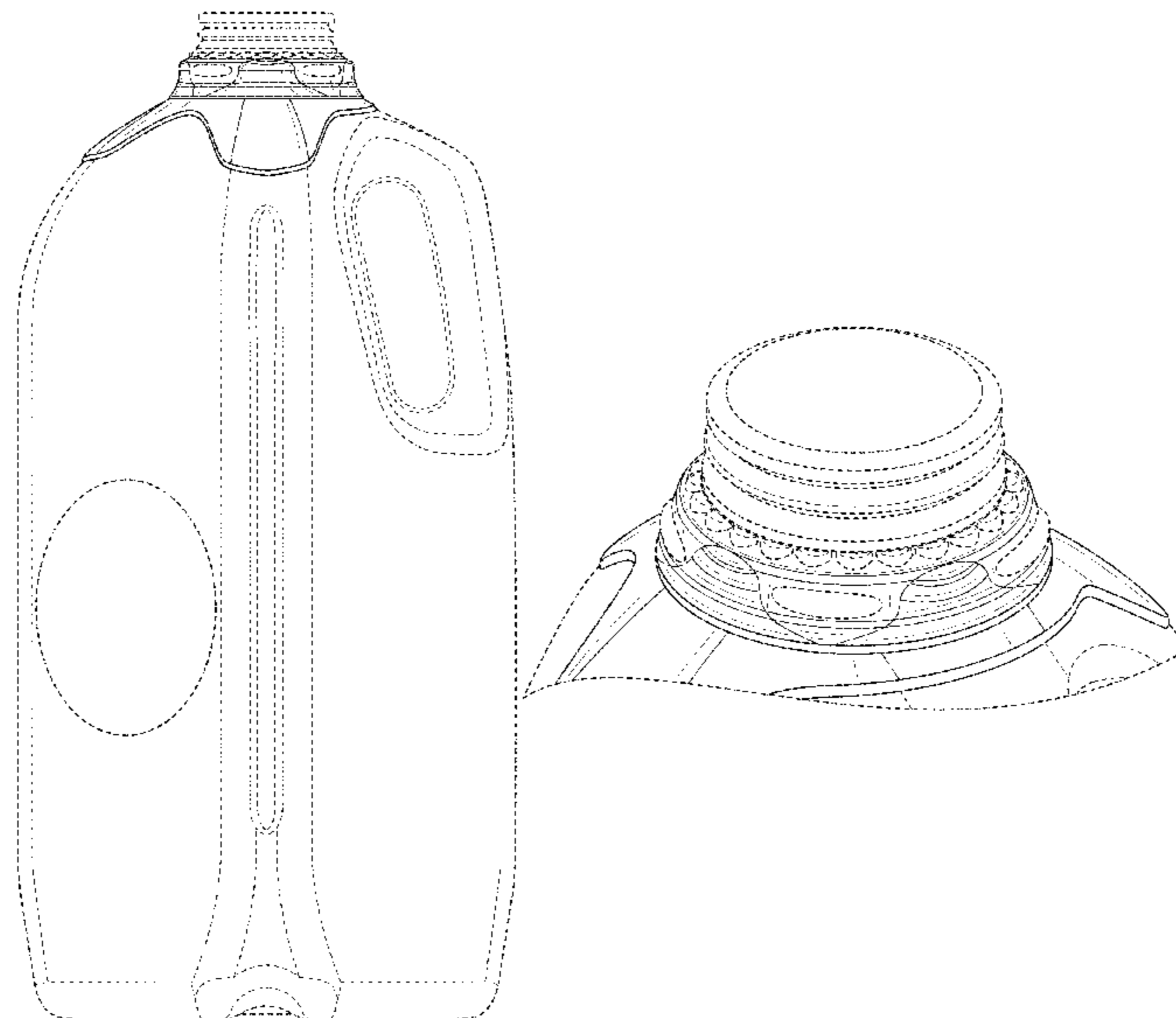
FIG. 6 is a top view of the spout of FIG. 1.

FIG. 7 is a bottom view of the spout of FIG. 1; and,

FIG. 8 is a close-up front, right, top perspective view of the spout of FIG. 1.

The broken lines shown represent unclaimed portions of the article and form no part of the claimed design.

**1 Claim, 8 Drawing Sheets**



(56)

**References Cited**

U.S. PATENT DOCUMENTS

D719,026 S 12/2014 Prero  
 D726,006 S \* 4/2015 Rapparini ..... D9/434  
 D733,566 S \* 7/2015 Lobbestael ..... D9/531  
 D739,248 S \* 9/2015 Janeczek ..... D9/531  
 D742,747 S 11/2015 Lobbestael et al.  
 D749,422 S 2/2016 Janeczek  
 D780,584 S 3/2017 Lang et al.  
 D801,815 S 11/2017 Mount, III et al.  
 D808,810 S 1/2018 Rajesh et al.  
 D809,393 S \* 2/2018 Tjahjadi ..... D9/516  
 D811,226 S 2/2018 Logel et al.  
 9,981,768 B1 \* 5/2018 Palmer ..... B65D 1/0207  
 D823,690 S 7/2018 Palmer et al.  
 D823,691 S 7/2018 Palmer et al.  
 D830,175 S 10/2018 Rognard  
 2003/0155324 A1 \* 8/2003 McCollum ..... B65D 1/0223  
 215/382

2006/0260971 A1\* 11/2006 Rivera ..... B65D 21/0231  
 206/509  
 2009/0223920 A1\* 9/2009 Patel ..... B29B 11/08  
 215/45  
 2012/0241405 A1\* 9/2012 Lobbestael ..... B29C 49/04  
 215/10

OTHER PUBLICATIONS

Canadian Intellectual Property Office, Examiner's Report for Canadian Patent Application No. 176963, dated Jun. 19, 2018, 3 pages, Canada.  
 Canadian Intellectual Property Office, Examiner's Report for Canadian Patent Application No. 181450, dated Jun. 19, 2018, 3 pages, Canada.  
 Canadian Intellectual Property Office, Examiner's Report for Canadian Patent Application No. 181449, dated Jun. 19, 2019, 1 page, Canada.

\* cited by examiner

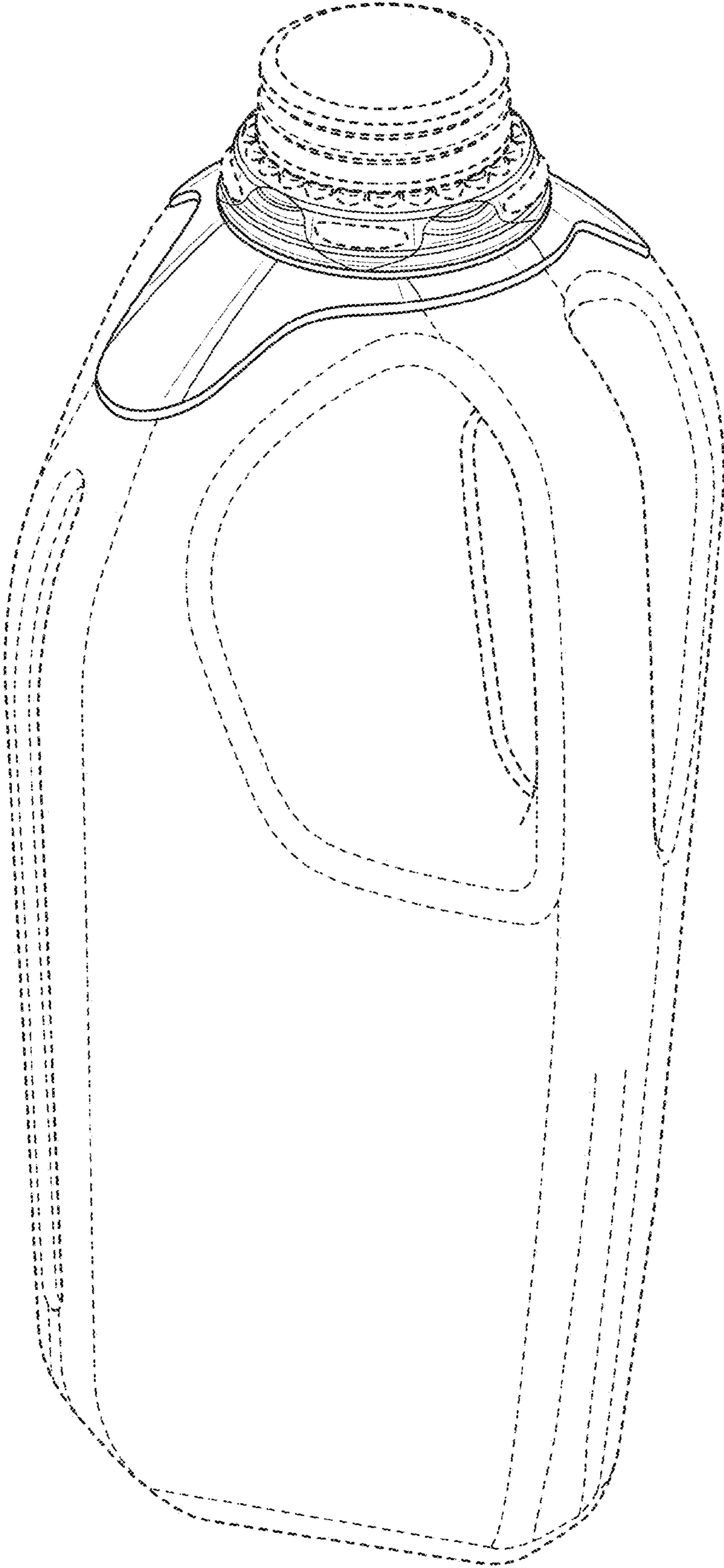


FIG. 1

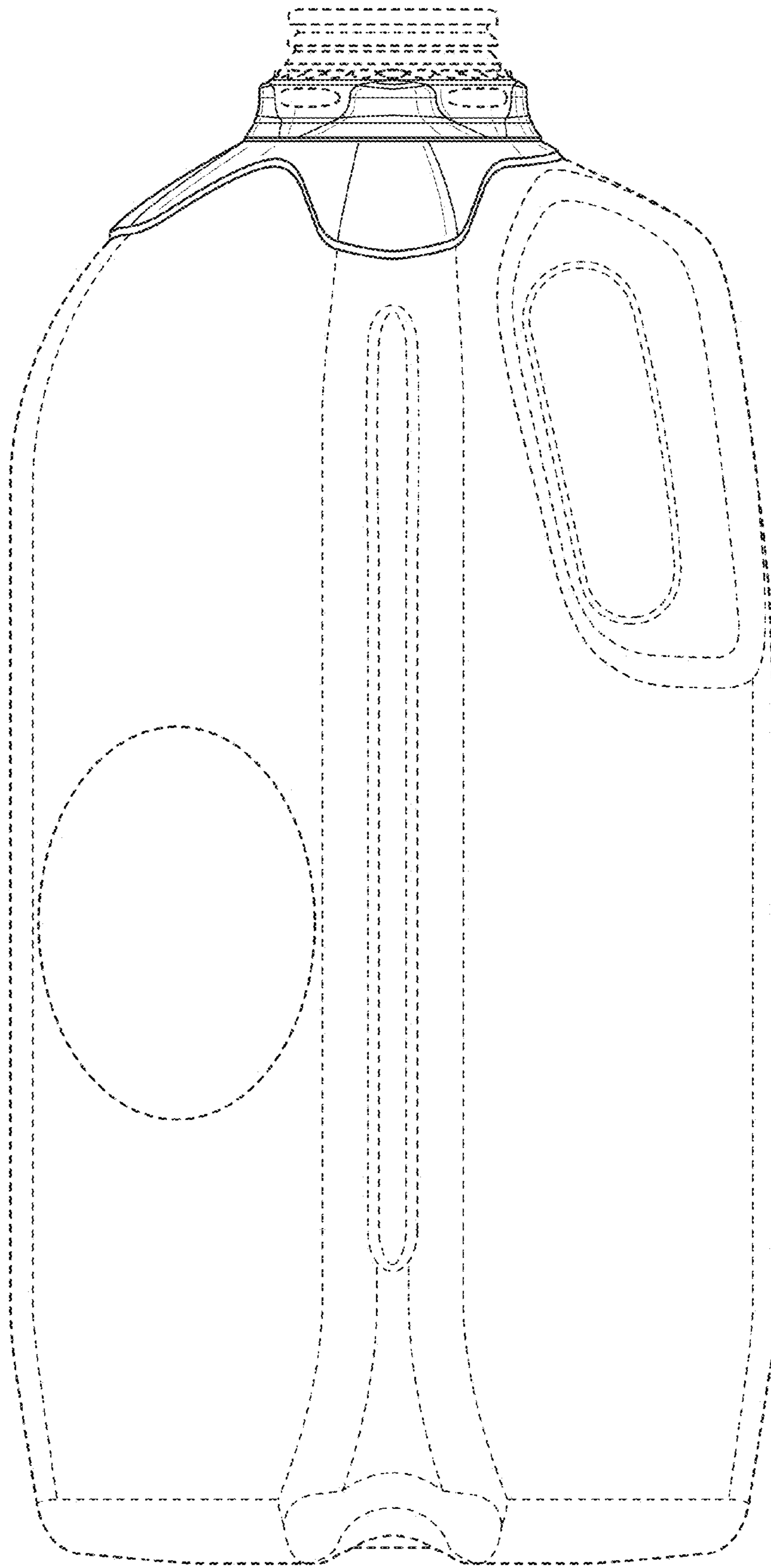


FIG. 2

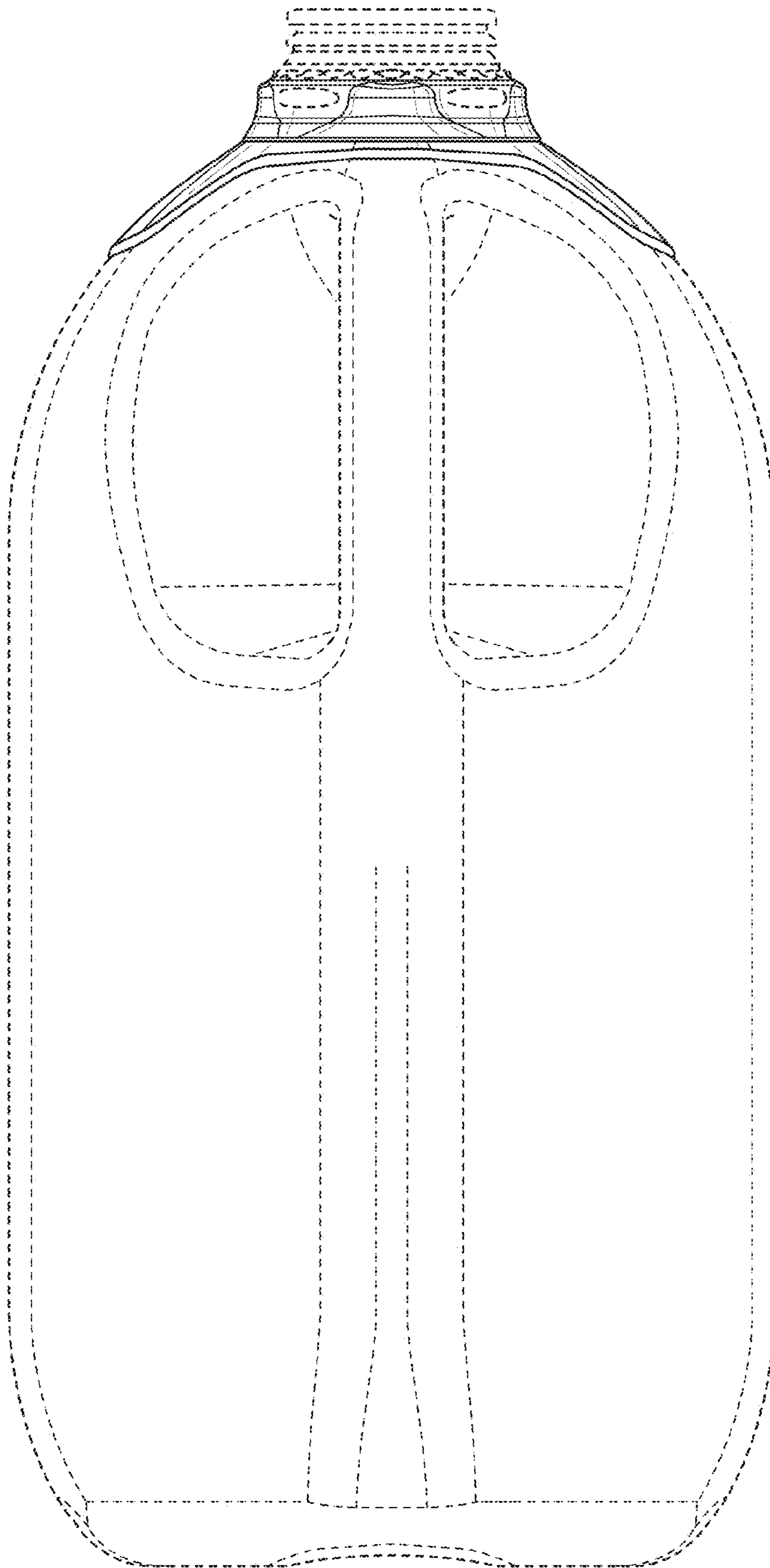


FIG. 3

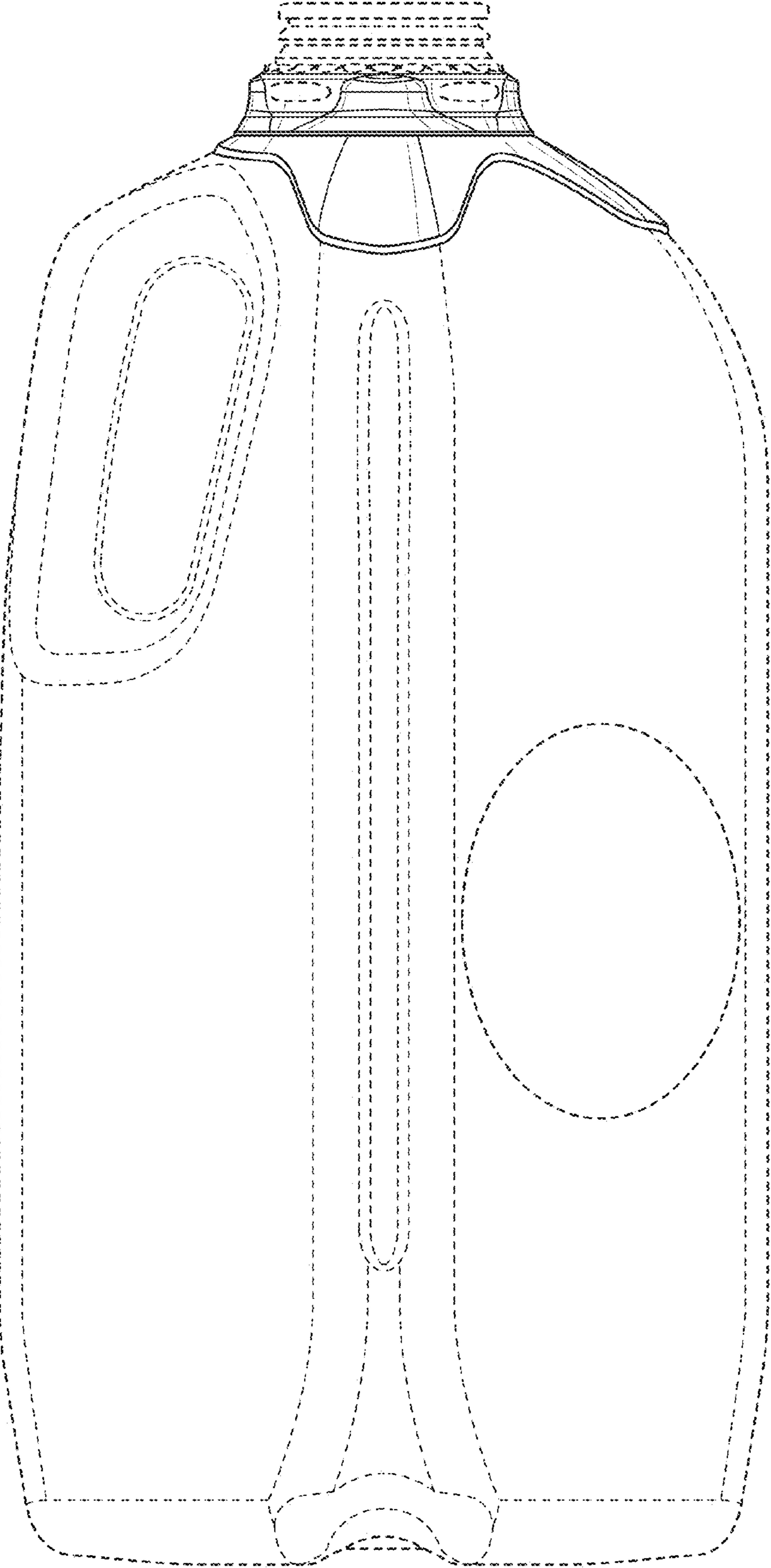


FIG. 4

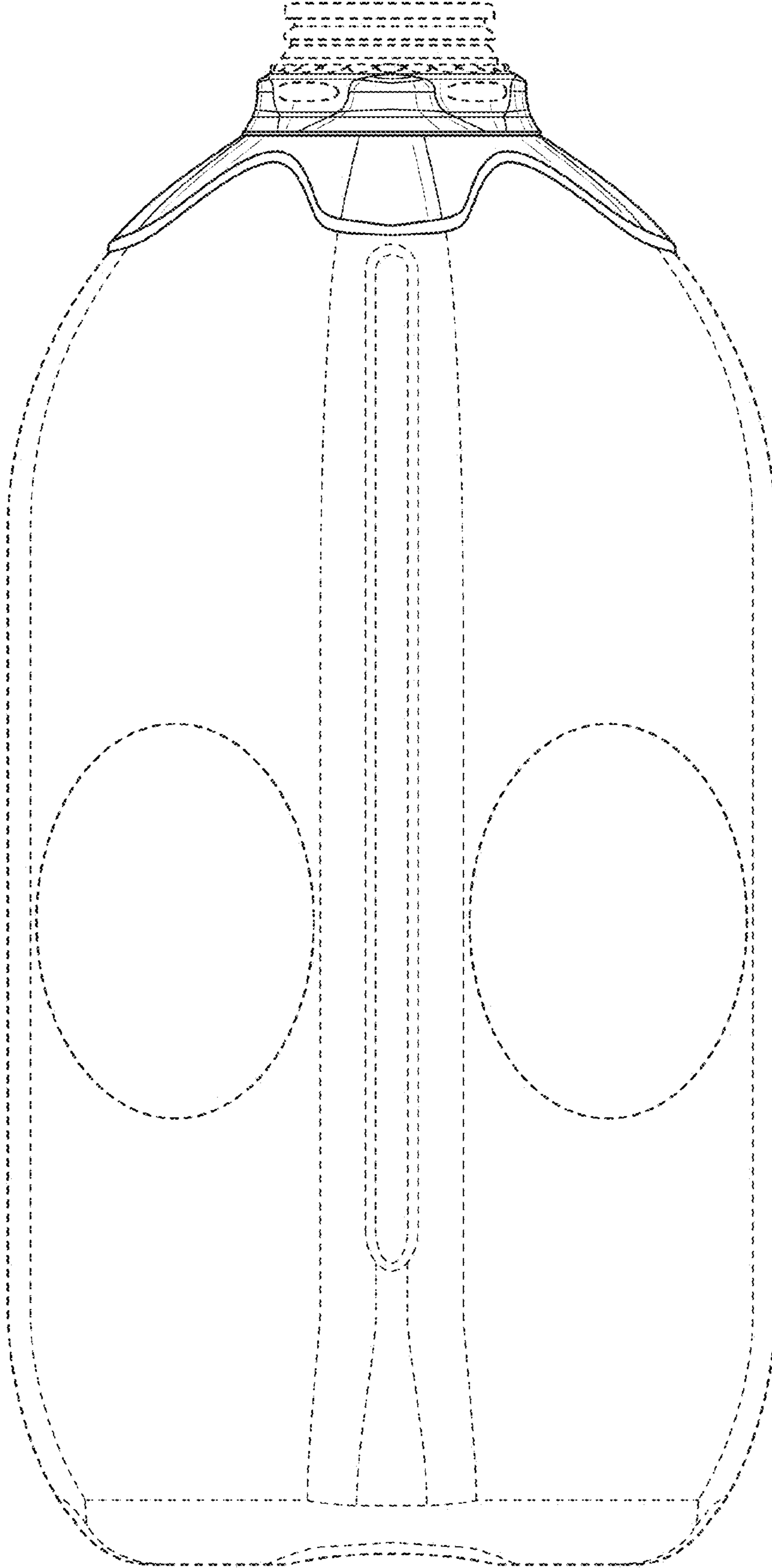


FIG. 5

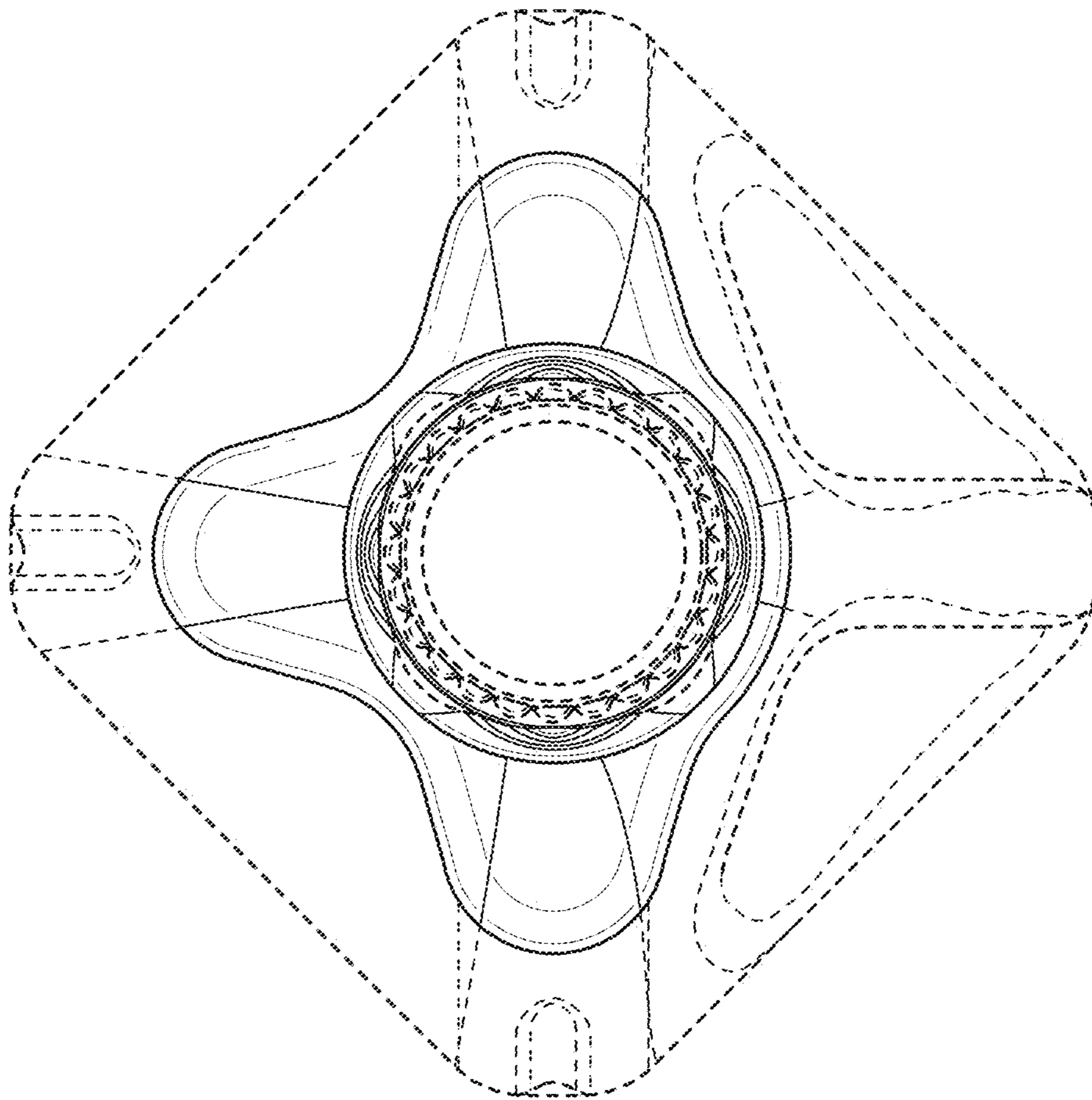


FIG. 6



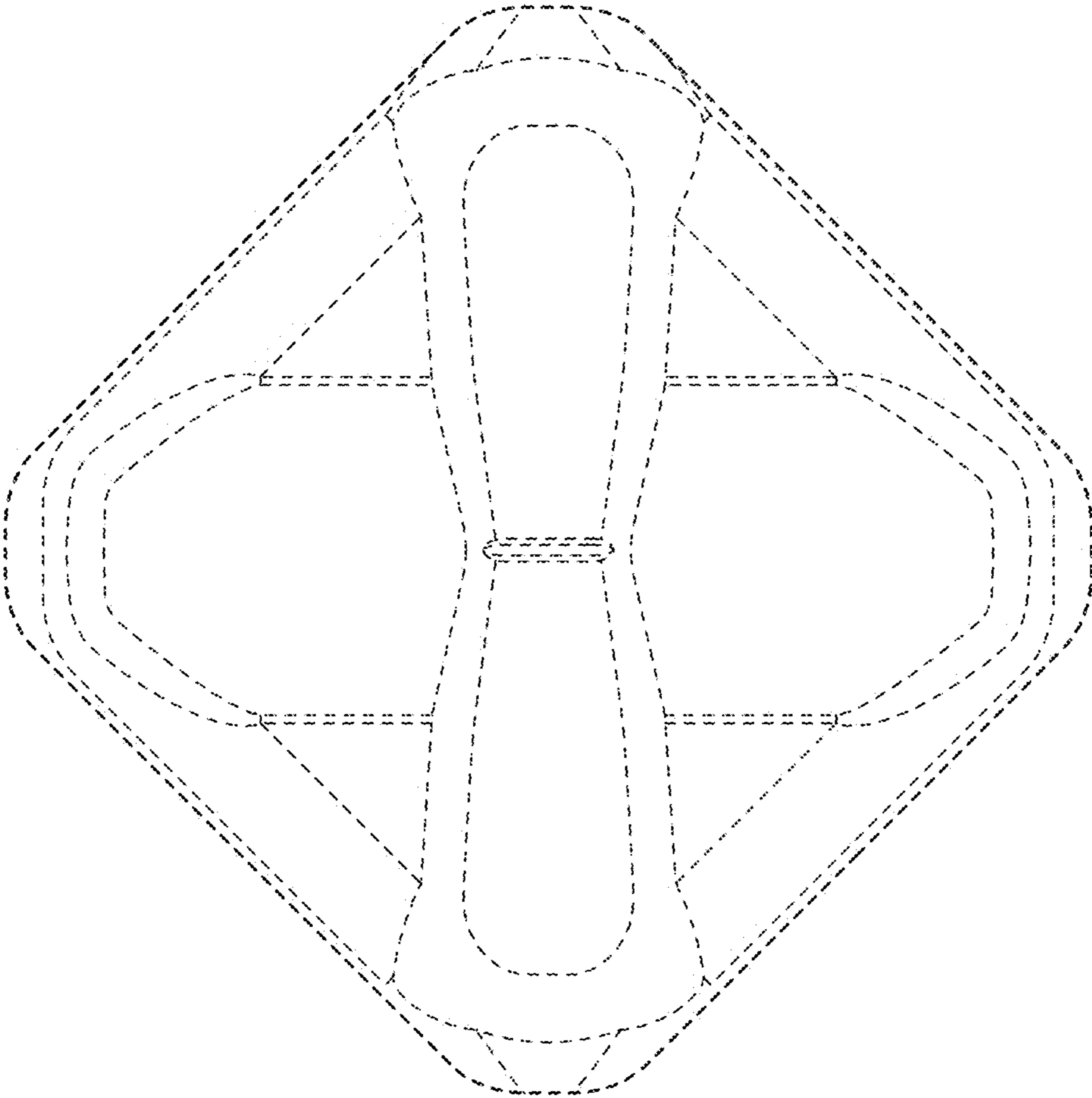


FIG. 7

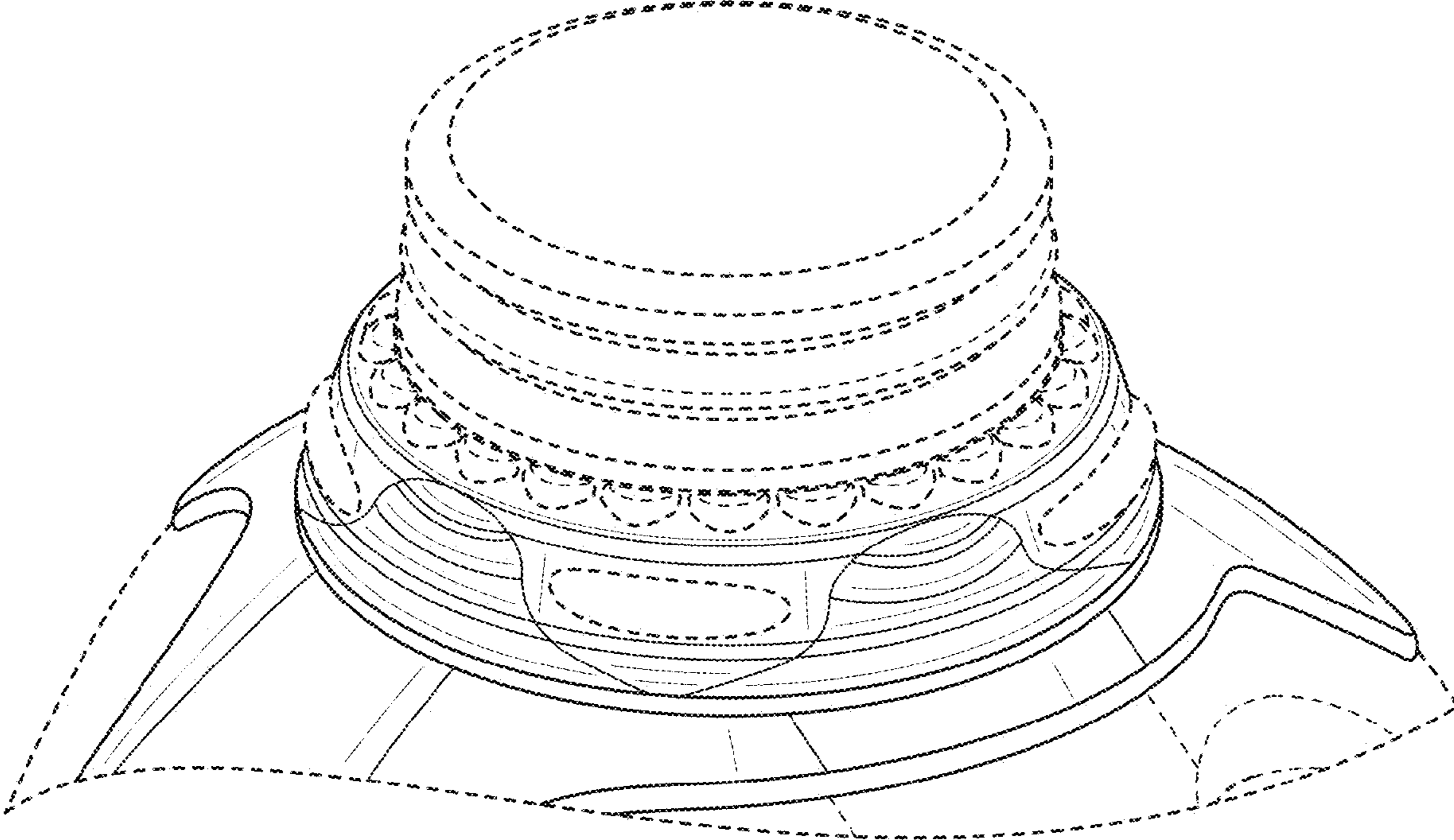


FIG. 8