



US00D868582S

(12) **United States Design Patent**
Luu

(10) **Patent No.:** **US D868,582 S**
(45) **Date of Patent:** **** Dec. 3, 2019**

- (54) **BOTTLE**
- (71) Applicant: **LeChat**, Hercules, CA (US)
- (72) Inventor: **Newton Luu**, Hercules, CA (US)
- (73) Assignee: **LeChat**, Hercules, CA (US)
- (**) Term: **15 Years**
- (21) Appl. No.: **29/693,110**
- (22) Filed: **May 30, 2019**

D253,454 S	11/1979	Earle	
D259,252 S	5/1981	Acker	
D449,228 S	10/2001	Nosella	
D471,108 S	3/2003	Calderone, Jr.	
D637,915 S	5/2011	Huang	
D758,737 S	6/2016	Tan et al.	
D769,124 S	10/2016	Wieland	
D770,284 S	11/2016	Luu et al.	
D770,285 S	11/2016	Luu et al.	
D770,295 S	11/2016	Luu et al.	
D770,901 S	11/2016	Luu et al.	
D802,420 S	11/2017	Luu et al.	
D803,055 S	11/2017	Luu et al.	
D805,910 S	12/2017	Luu et al.	
D820,683 S *	6/2018	Perrulli	D9/540
D836,444 S	12/2018	Tan et al.	
D850,264 S *	6/2019	Luu	D9/503

Related U.S. Application Data

- (62) Division of application No. 29/644,917, filed on Apr. 20, 2018, now Pat. No. Des. 850,264.
- (51) **LOC (12) Cl.** **09-01**
- (52) **U.S. Cl.**
USPC **D9/503**
- (58) **Field of Classification Search**
USPC D9/434-435, 447, 452, 454, 500,
D9/503-504, 516, 549, 558, 715, 719;
D4/116
CPC B65D 1/00; B65D 1/02; B65D 1/0223;
B65D 23/00; B65D 51/32; B65D
2501/00; B65D 2501/0009
See application file for complete search history.

* cited by examiner

Primary Examiner — Dana Meyrow

(74) *Attorney, Agent, or Firm* — Aka Chan LLP

(57) **CLAIM**

The ornamental design for a bottle, as shown and described.

DESCRIPTION

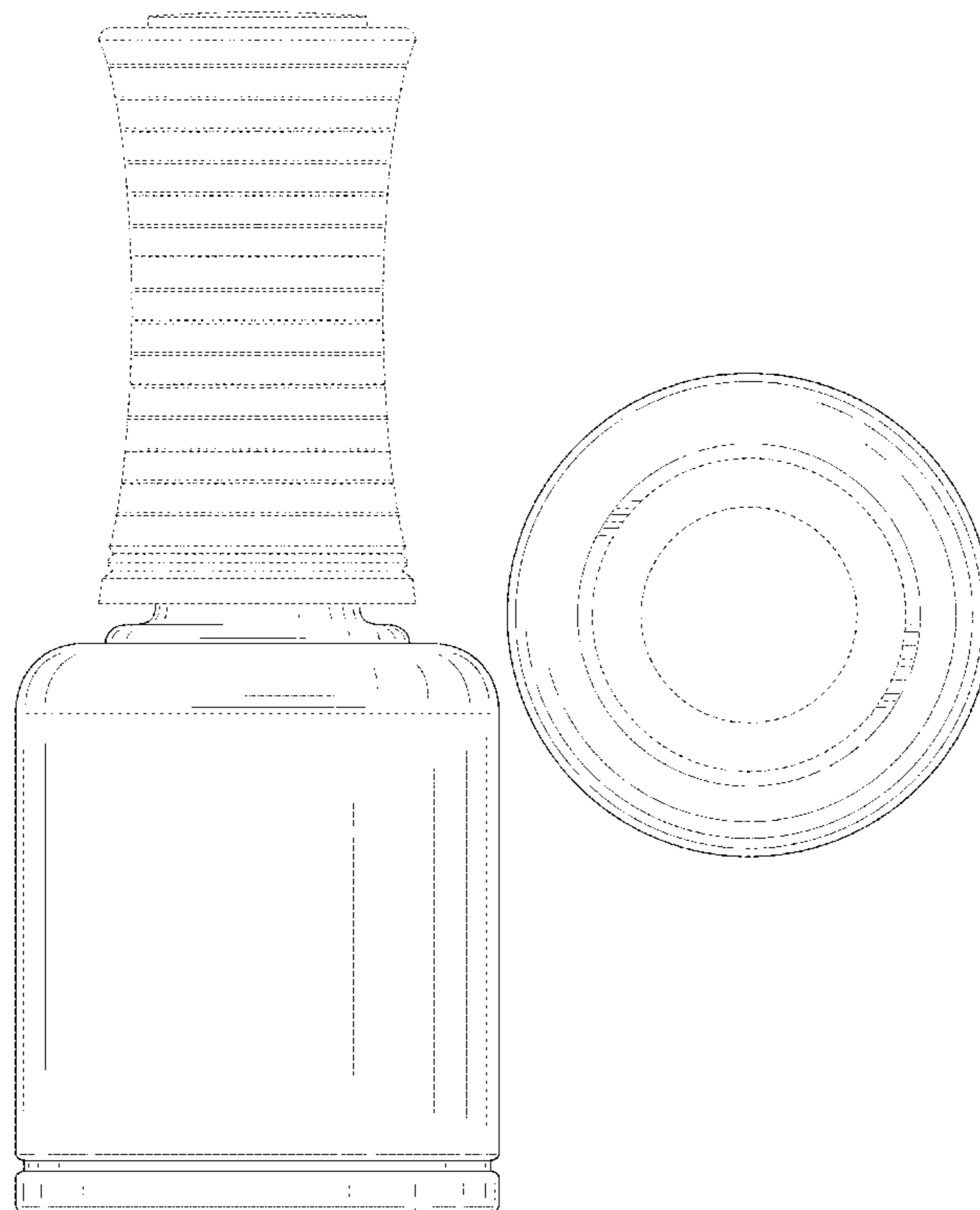
FIG. 1 shows a perspective view of a design for a bottle.
 FIG. 2 shows a side view of the design.
 FIG. 3 shows a top view of the design; and,
 FIG. 4 shows a bottom view of the design.
 The broken lines in the drawings illustrate the portions of the bottle that form no part of the claim.

(56) **References Cited**

U.S. PATENT DOCUMENTS

- D126,234 S 5/1940 Barbiers
- D201,999 S * 8/1965 Rau D9/500

1 Claim, 3 Drawing Sheets



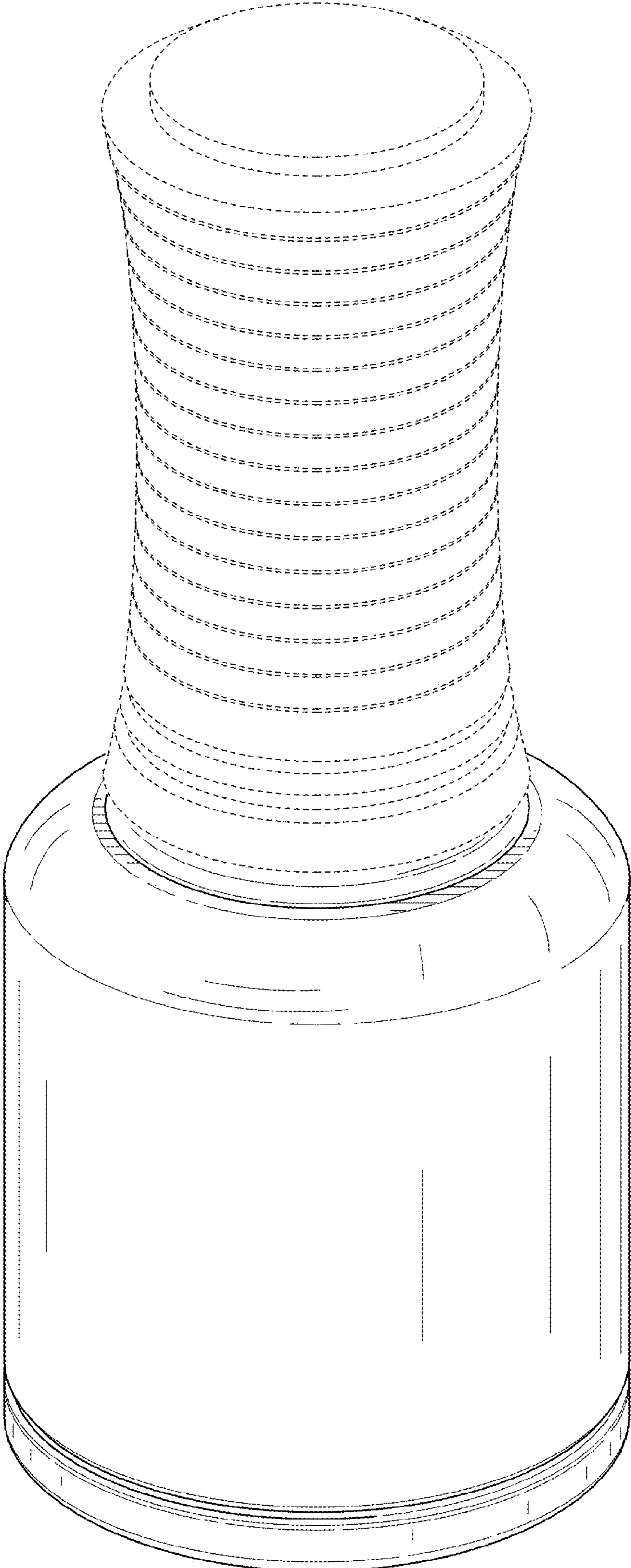


FIG. 1

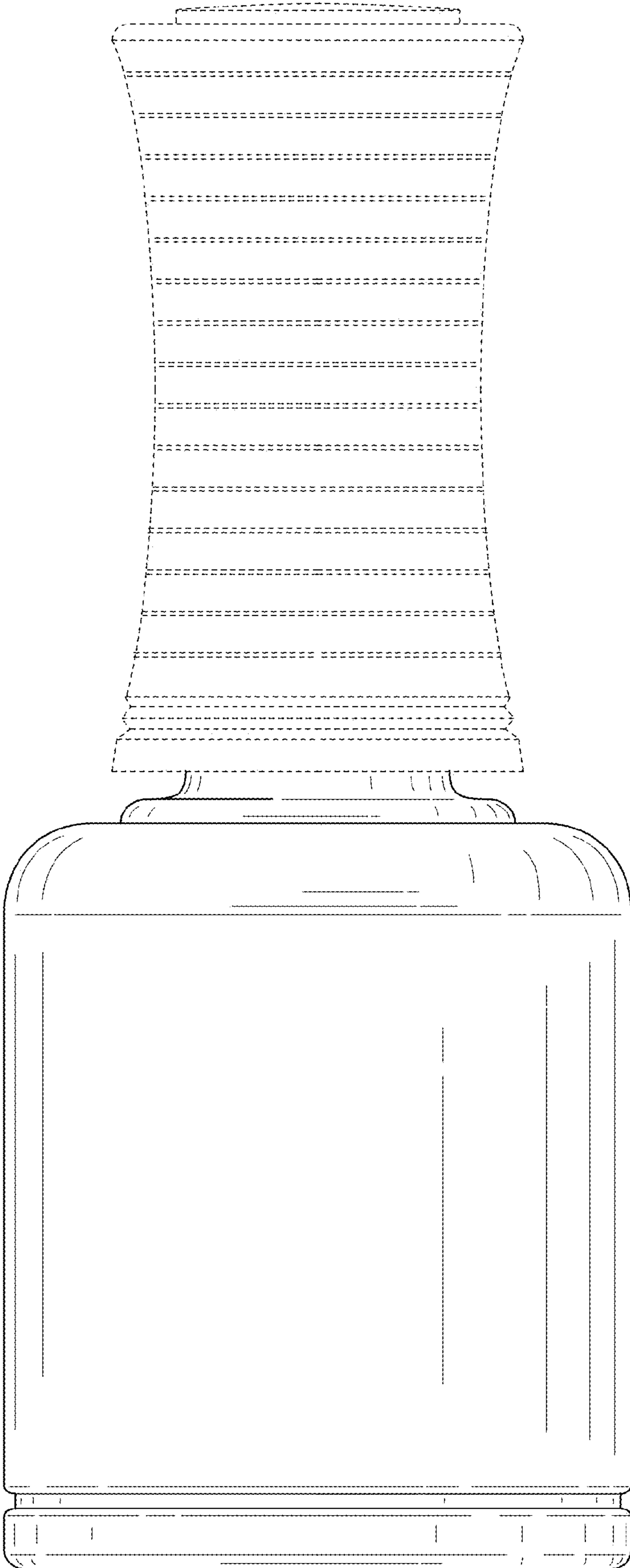


FIG. 2

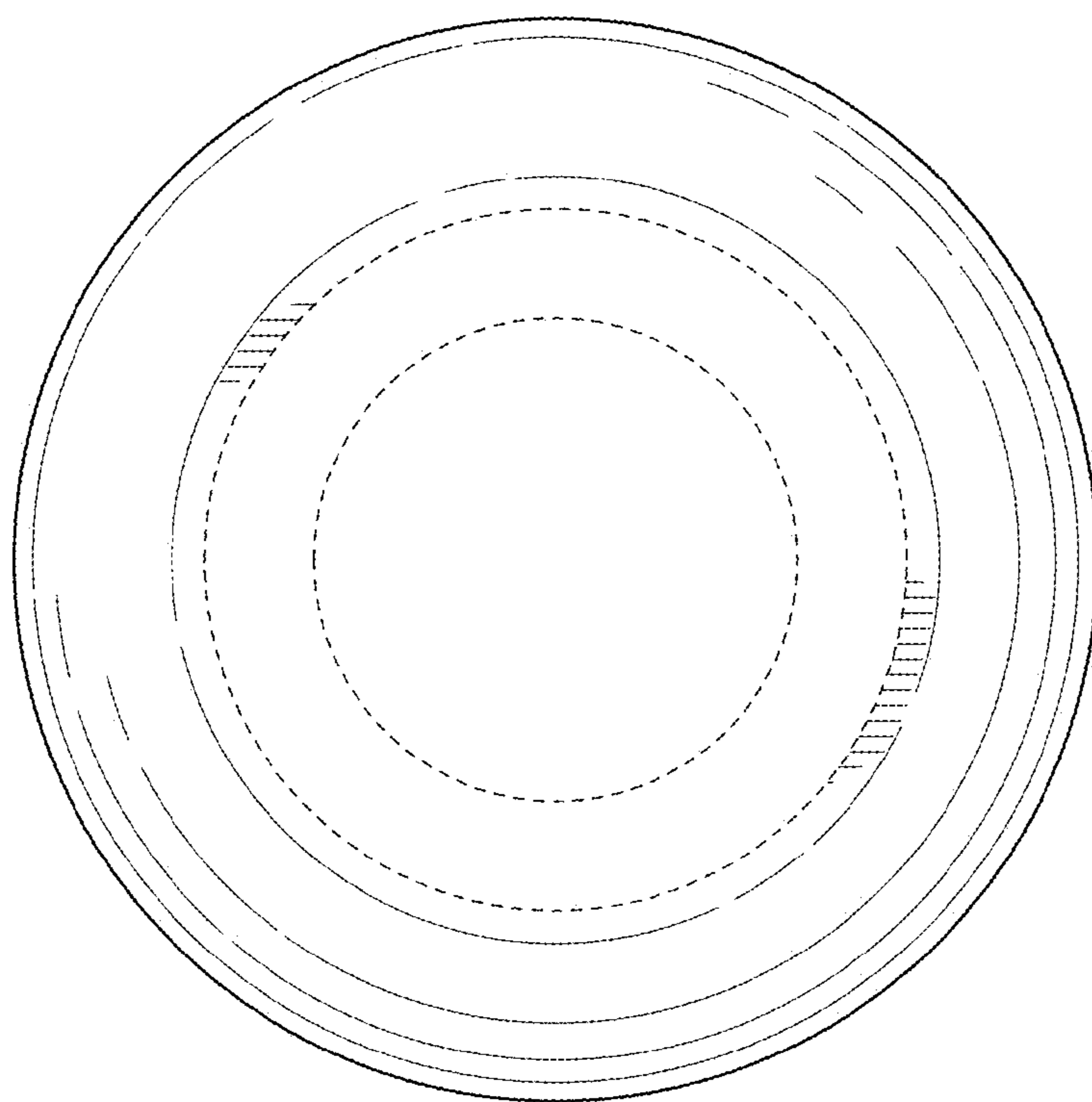


FIG. 3

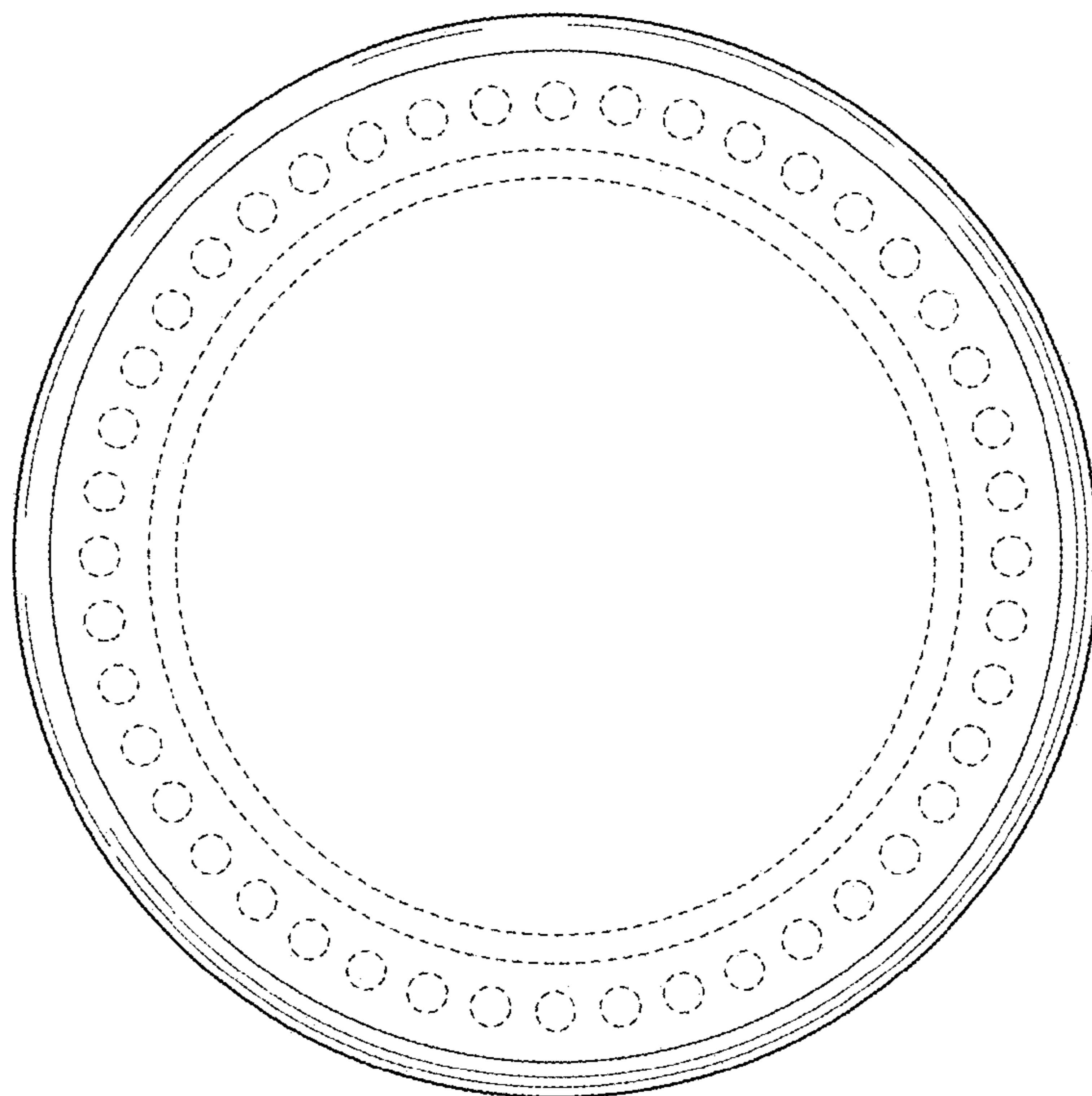


FIG. 4