



US00D868580S

(12) **United States Design Patent**
Martin

(10) **Patent No.:** **US D868,580 S**
(45) **Date of Patent:** **** Dec. 3, 2019**

(54) **PACKAGE**

(71) Applicant: **Medline Industries, Inc.**, Northfield, IL (US)

(72) Inventor: **Tambra Martin**, Trevor, WI (US)

(73) Assignee: **Medline Industries, Inc.**, Northfield, IL (US)

(**) Term: **15 Years**

(21) Appl. No.: **29/617,002**

(22) Filed: **Sep. 11, 2017**

(51) **LOC (12) Cl.** **09-03**

(52) **U.S. Cl.**
USPC **D9/432**

(58) **Field of Classification Search**
USPC D9/414-419, 721-722, 420-423,
D9/430-434; D3/290, 304, 305, 315;
D7/601, 602, 612, 709

(Continued)

(56) **References Cited**

U.S. PATENT DOCUMENTS

2,100,644 A * 11/1937 Groves B65D 5/6673
229/125.37

2,493,281 A 1/1950 Anderson, Jr.
(Continued)

OTHER PUBLICATIONS

Luxury Gift Boxes. Online, published date Aug. 12, 2017. Retrieved on Dec. 9, 2018 from URL: <https://uniqstuffs.net/luxury-gift-boxes/>.*

(Continued)

Primary Examiner — Susan Bennett Hattan

Assistant Examiner — Omeed Agilee

(74) *Attorney, Agent, or Firm* — Fitch, Even, Tabin & Flannery LLP

(57) **CLAIM**

The ornamental design for a package, as shown and described.

DESCRIPTION

FIG. 1 is a perspective view of a package according to a first embodiment of my new design;

FIG. 2 is a perspective view of the package of FIG. 1 showing the lid component removed from the lower box component;

FIG. 3 is a perspective view of the lower box component of FIG. 2;

FIG. 4 is a top plan view of the lower box component of FIG. 2;

FIG. 5 is a bottom plan view of the lower box component of FIG. 2;

FIG. 6 is a front elevation view of the lower box component of FIG. 2;

FIG. 7 is a rear elevation view of the lower box component of FIG. 2;

FIG. 8 is a left side elevation view of the lower box component of FIG. 2, the right side elevation view being a mirror image thereof;

FIG. 9 is a perspective view of a package according to a second embodiment of my new design showing the lid component removed from the lower box component;

FIG. 10 is a perspective view of the lower box component of FIG. 9;

FIG. 11 is a top plan view of the lower box component of FIG. 9;

FIG. 12 is a bottom plan view of the lower box component of FIG. 9;

FIG. 13 is a front elevation view of the lower box component of FIG. 9;

FIG. 14 is a rear elevation view of the lower box component of FIG. 9;

FIG. 15 is a left side elevation view of the lower box component of FIG. 9, the right side elevation view being a mirror image thereof;

FIG. 16 is a perspective view of the lid component of the package of FIG. 1, FIG. 2, and FIG. 9;

FIG. 17 is a top plan view of the lid component of FIG. 16;

(Continued)

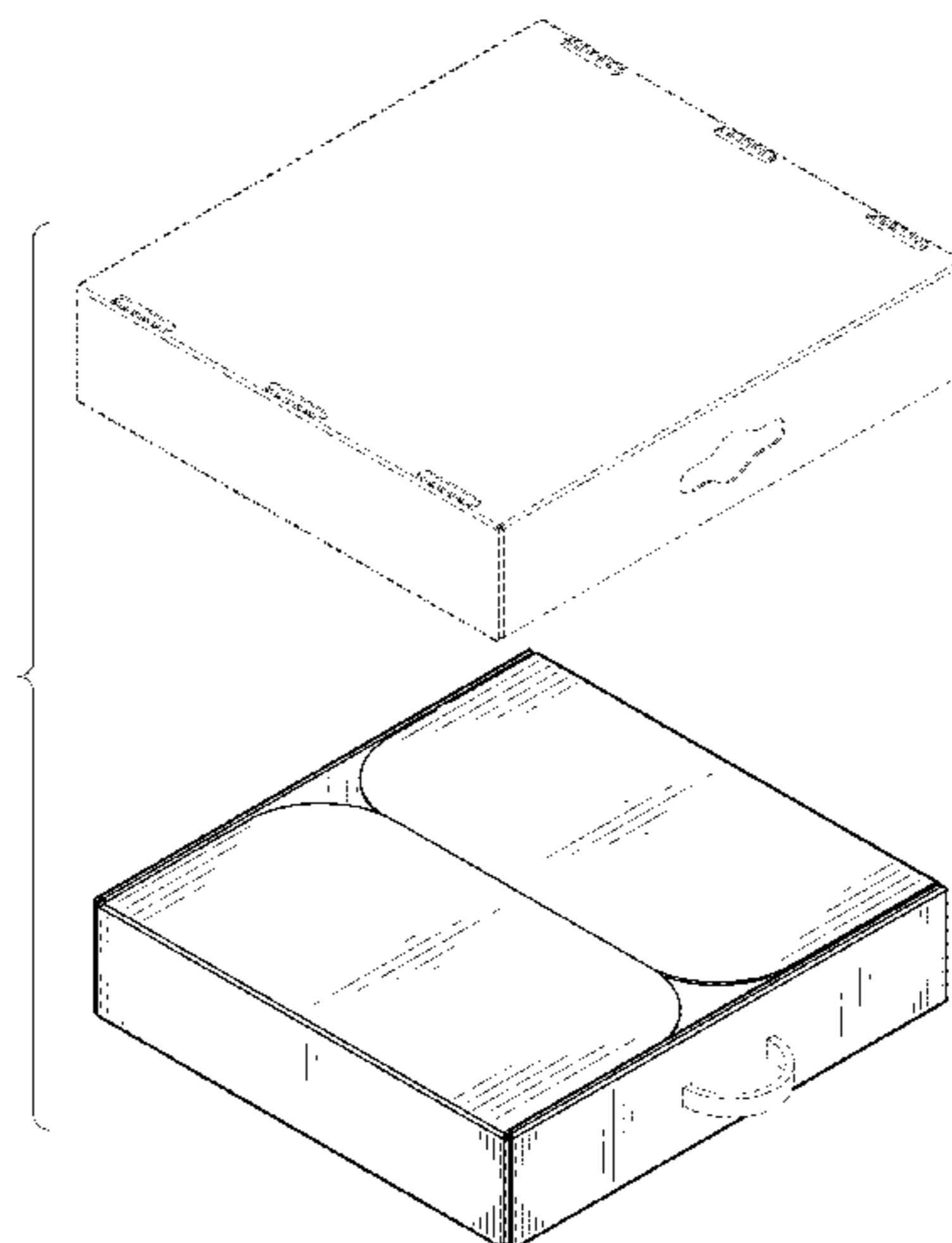


FIG. 18 is a bottom plan view of the lid component of FIG. 16;
 FIG. 19 is a front elevation view of the lid component of FIG. 16;
 FIG. 20 is a rear elevation view of the lid component of FIG. 16; and,
 FIG. 21 is a left side elevation view of the lid component of FIG. 16, the right side elevation view identical thereto.
 The broken lines depict portions of the package that form no part of the claimed design. The long dash-short dash broken lines along the flaps of the package in FIGS. 9-11 and 13-15 depict break lines. The break lines and the areas between the break lines form no part of the claimed design.

1 Claim, 18 Drawing Sheets

(58) **Field of Classification Search**

CPC B65D 5/00; B65D 5/0015; B65D 5/061;
 B65D 5/18; B65D 5/20; B65D 5/32;
 B65D 5/321; B65D 5/322

See application file for complete search history.

(56) **References Cited**

U.S. PATENT DOCUMENTS

2,727,675 A * 12/1955 Mairs B65D 5/323
 229/122.24
 3,229,891 A * 1/1966 Edelman B65D 5/10
 229/157
 3,250,455 A * 5/1966 Plunkett B65D 5/2004
 206/424
 3,253,770 A * 5/1966 Black B65D 5/0245
 206/424
 D237,144 S 10/1975 Graser
 4,380,314 A 4/1983 Langston, Jr.
 5,007,580 A 4/1991 Morrison
 D348,607 S * 7/1994 Young D9/423
 D351,104 S * 10/1994 Kapp D9/423
 D353,538 S 12/1994 Jobit
 D372,670 S 8/1996 Healey
 D415,419 S 10/1999 Abiteboul
 D417,150 S 11/1999 Shapiro
 D418,411 S 1/2000 Shapiro
 D434,981 S 12/2000 Shapiro
 D438,791 S 3/2001 Tsuruishi
 6,223,978 B1 5/2001 Drager
 6,253,993 B1 7/2001 Lloyd
 6,533,166 B1 3/2003 Kaiss
 D490,703 S 6/2004 Rusnock
 D494,061 S * 8/2004 Brown D9/415

7,021,468 B2 4/2006 Cargile, Jr.
 D612,260 S 3/2010 Champion
 7,703,665 B2 4/2010 McGowan
 D639,157 S 6/2011 Ostergard
 D643,283 S 8/2011 Witte
 8,196,806 B2 * 6/2012 Tao B65D 5/324
 229/122.26
 D679,582 S * 4/2013 Witte D9/416
 D690,592 S 10/2013 Ding
 D692,754 S 11/2013 Akana
 D693,678 S 11/2013 Kanchan
 D696,107 S * 12/2013 Kimple D9/416
 8,608,050 B2 * 12/2013 Seliger B65D 5/2009
 229/117.16
 D706,628 S 6/2014 Palmer
 D720,614 S * 1/2015 Kim D9/432
 D734,031 S 7/2015 Gallet
 9,073,664 B2 * 7/2015 Justice B65D 5/6632
 D756,560 S * 5/2016 Ghiotti D27/186
 D763,683 S * 8/2016 O'Neill D9/432
 9,463,897 B2 10/2016 Molina-Muntanola
 9,540,132 B1 * 1/2017 Lee B65D 5/0245
 D789,785 S 6/2017 Fujiwara
 D814,925 S * 4/2018 Davidson D9/430
 D820,080 S 6/2018 Kase
 D825,328 S * 8/2018 Simpson D9/432
 D828,156 S 9/2018 Perella
 D829,096 S 9/2018 Perella
 D829,097 S 9/2018 Perella
 D833,867 S 11/2018 Perella
 2006/0180645 A1 8/2006 Takagi
 2006/0243785 A1 11/2006 Wang
 2007/0119915 A1 * 5/2007 Liao B65D 5/0236
 229/143
 2012/0037693 A1 2/2012 Wong
 2017/0144793 A1 5/2017 Robertson

OTHER PUBLICATIONS

Valentines day Boxes with red heart magnet close. Online, published date unknown. Retrieved on Dec. 9, 2018 from URL: <http://www.giftboxdesignfactory.com/valentines-day-gift-box/valentines-day-boxes.html>.*

Bespoke Printed Strong Solid Two Flaps Open Cardboard Gift Boxes for Perfume Packaging. Online, published date Sep. 5, 2017. Retrieved on Dec. 9, 2018 from URL: <https://www.globalsources.com/si/AS/Guangzhou-Minglai/6008852404527/pdtl/Bespoke-Printed-Strong-Solid-Two-Flaps-Open/1151507668.htm>.*

Business glossy packing folding gift box. Online, published date unknown. Retrieved on Dec. 9, 2018 from URL: <https://jemstone.manufacturer.globalsources.com/si/6008849665065/pdtl/Shoe-packaging/1163586830/Business-glossy-packing-folding-gift-box.htm>.

* cited by examiner

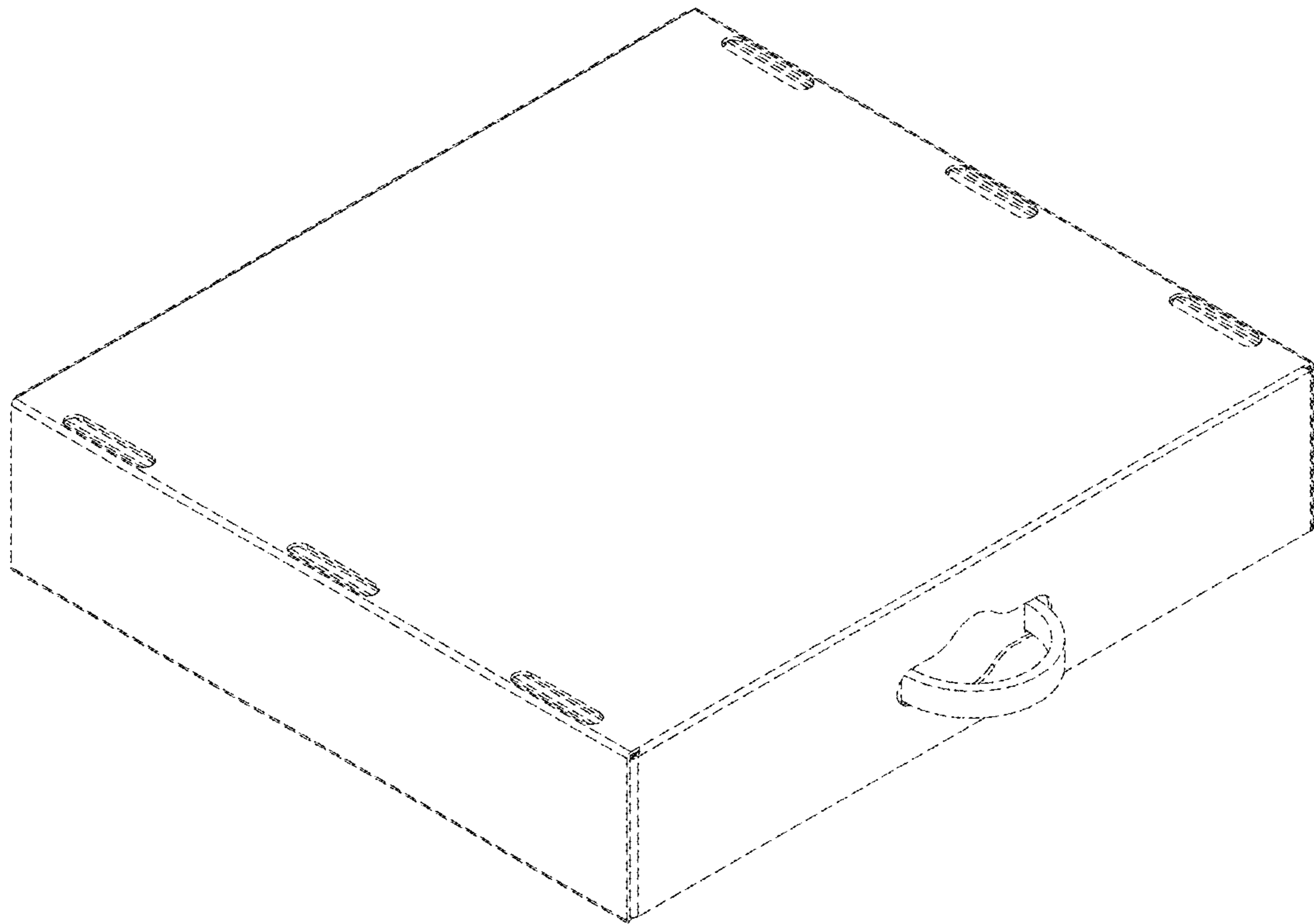


FIG. 1

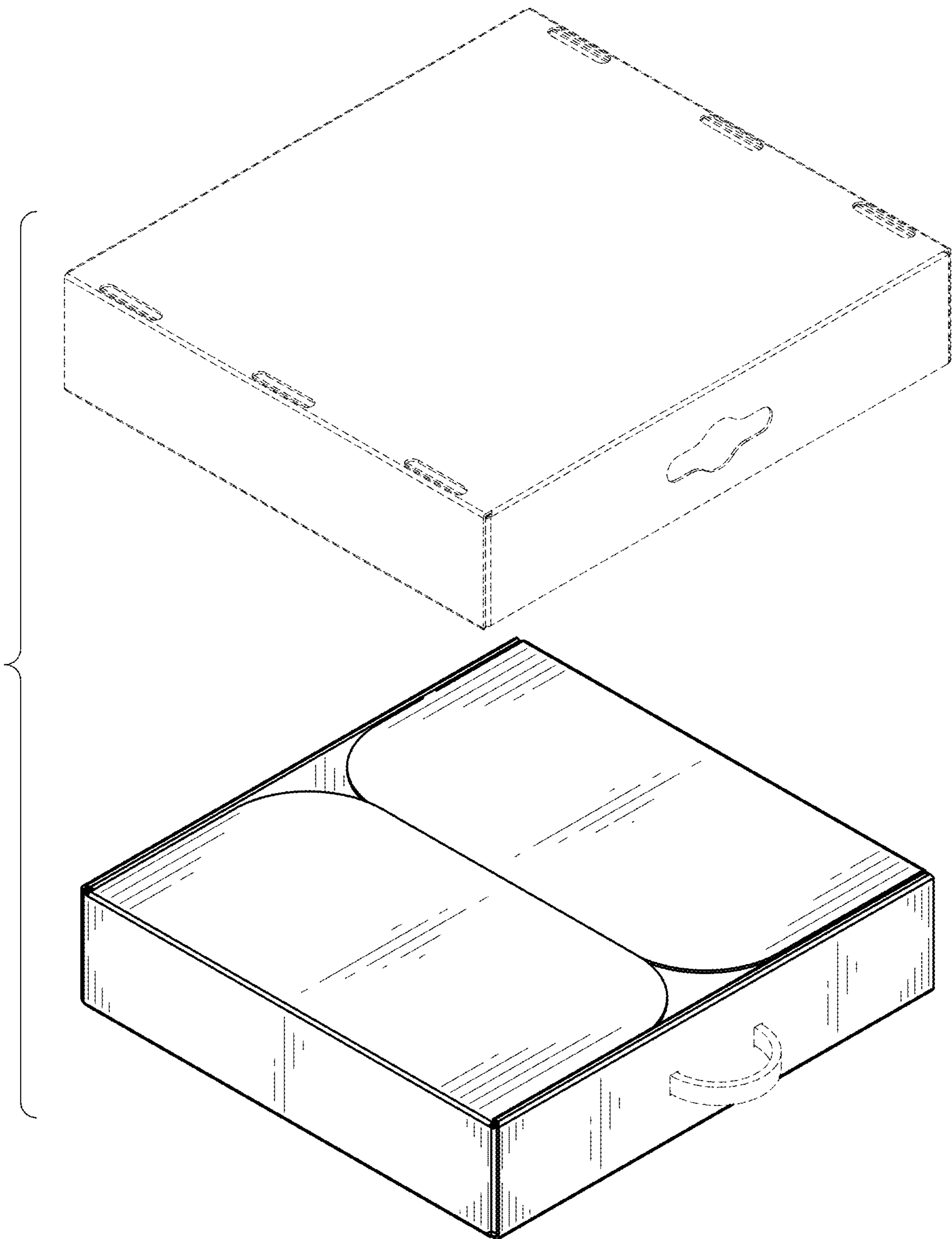


FIG. 2

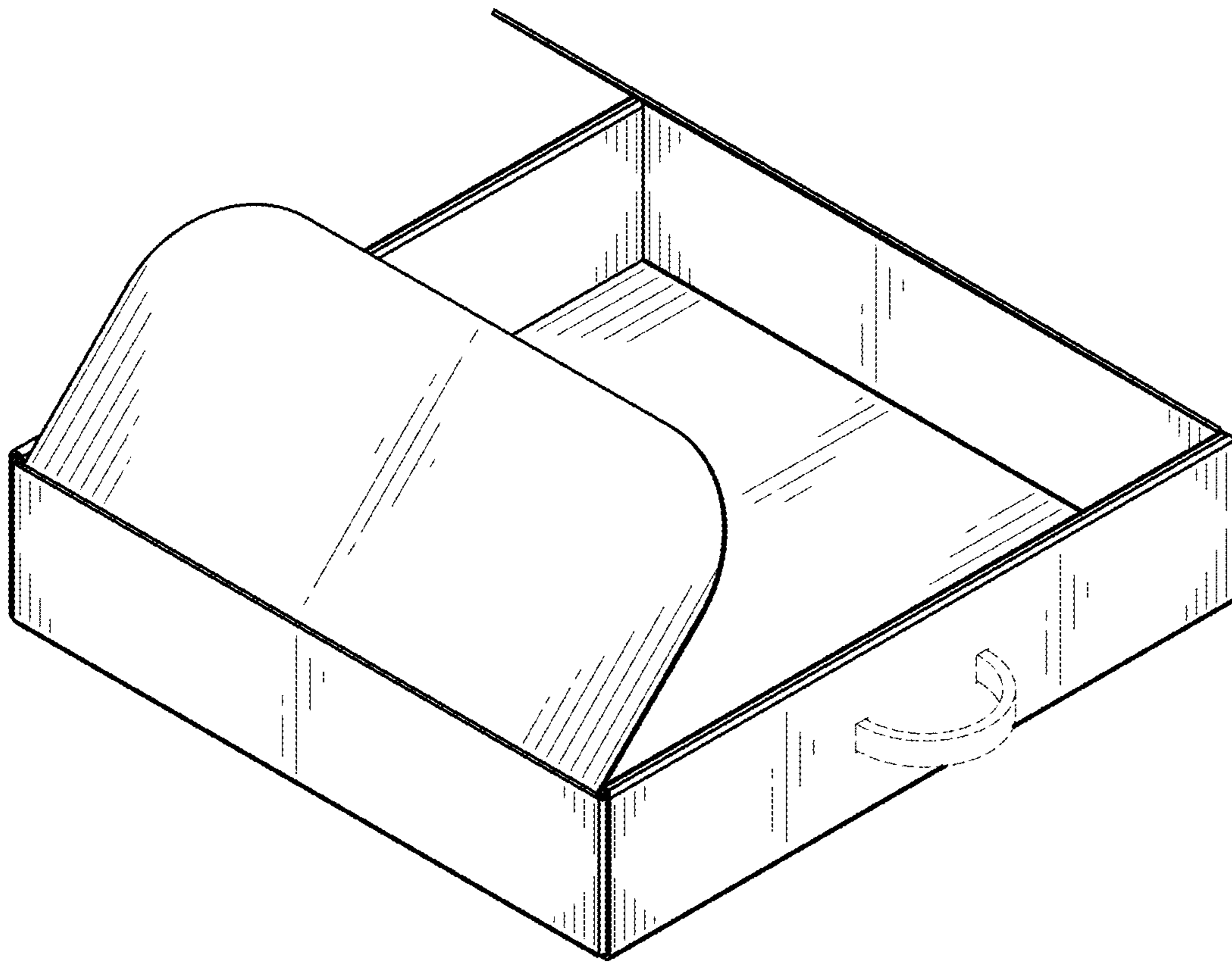


FIG. 3

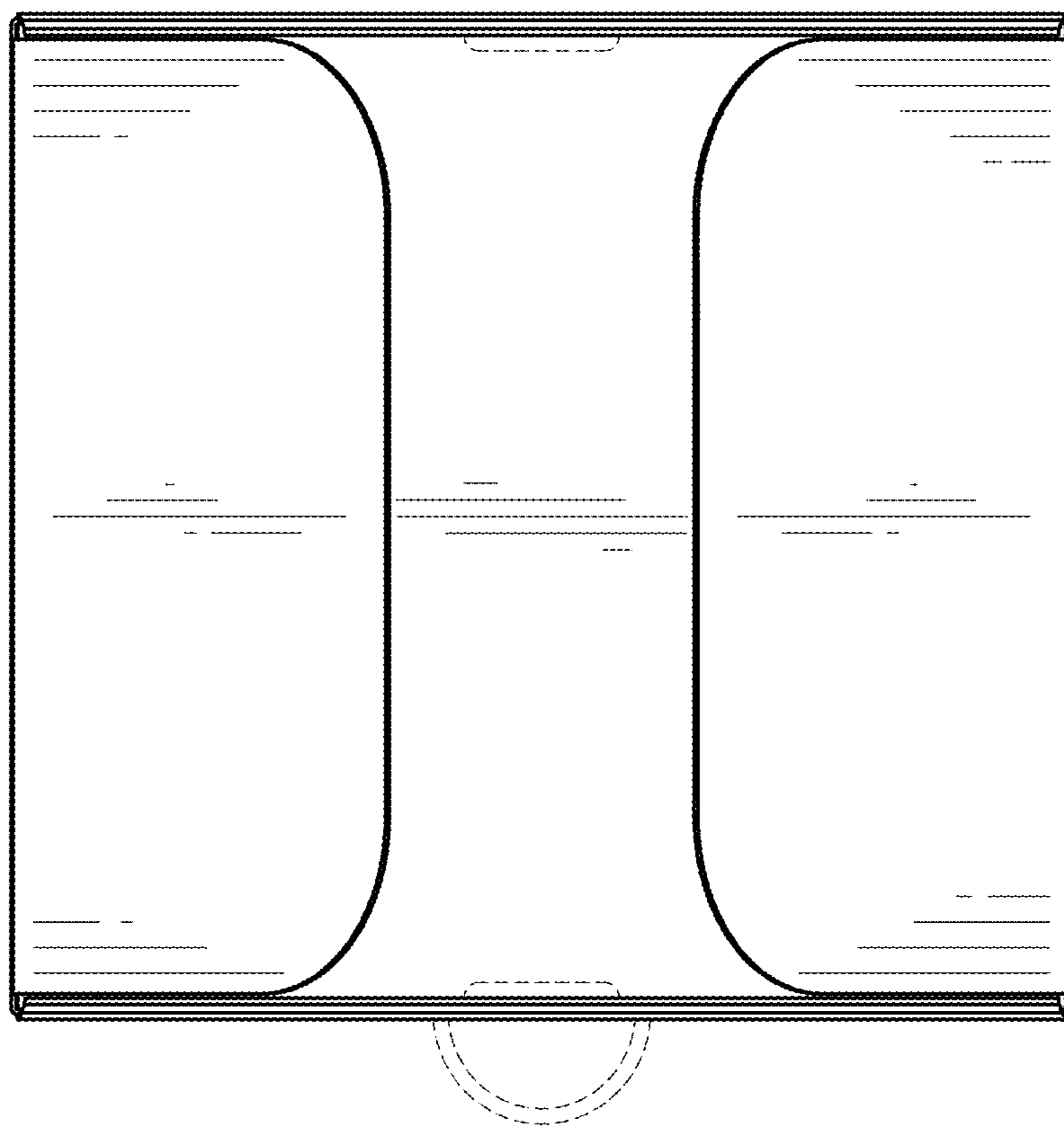


FIG. 4

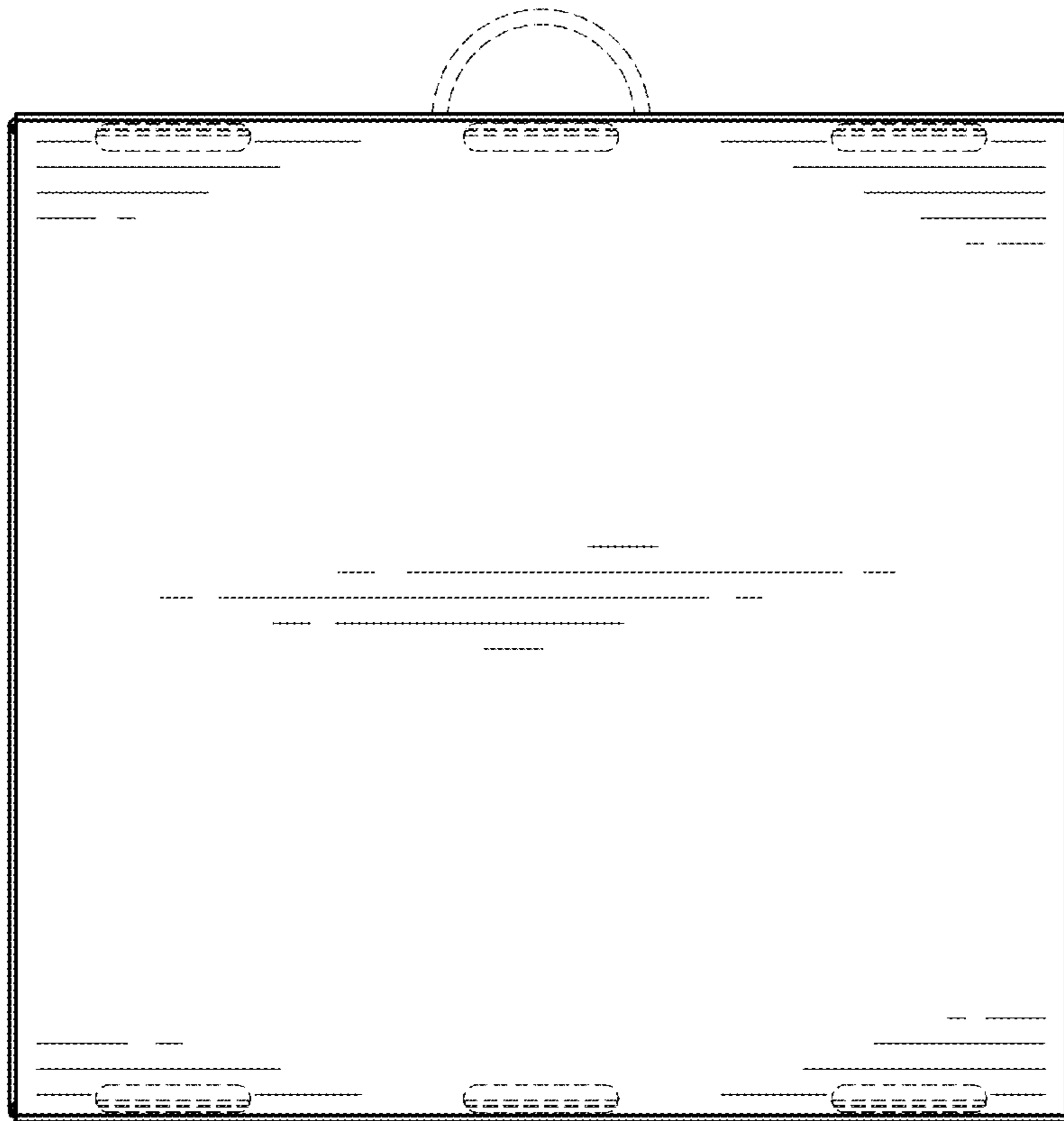


FIG. 5

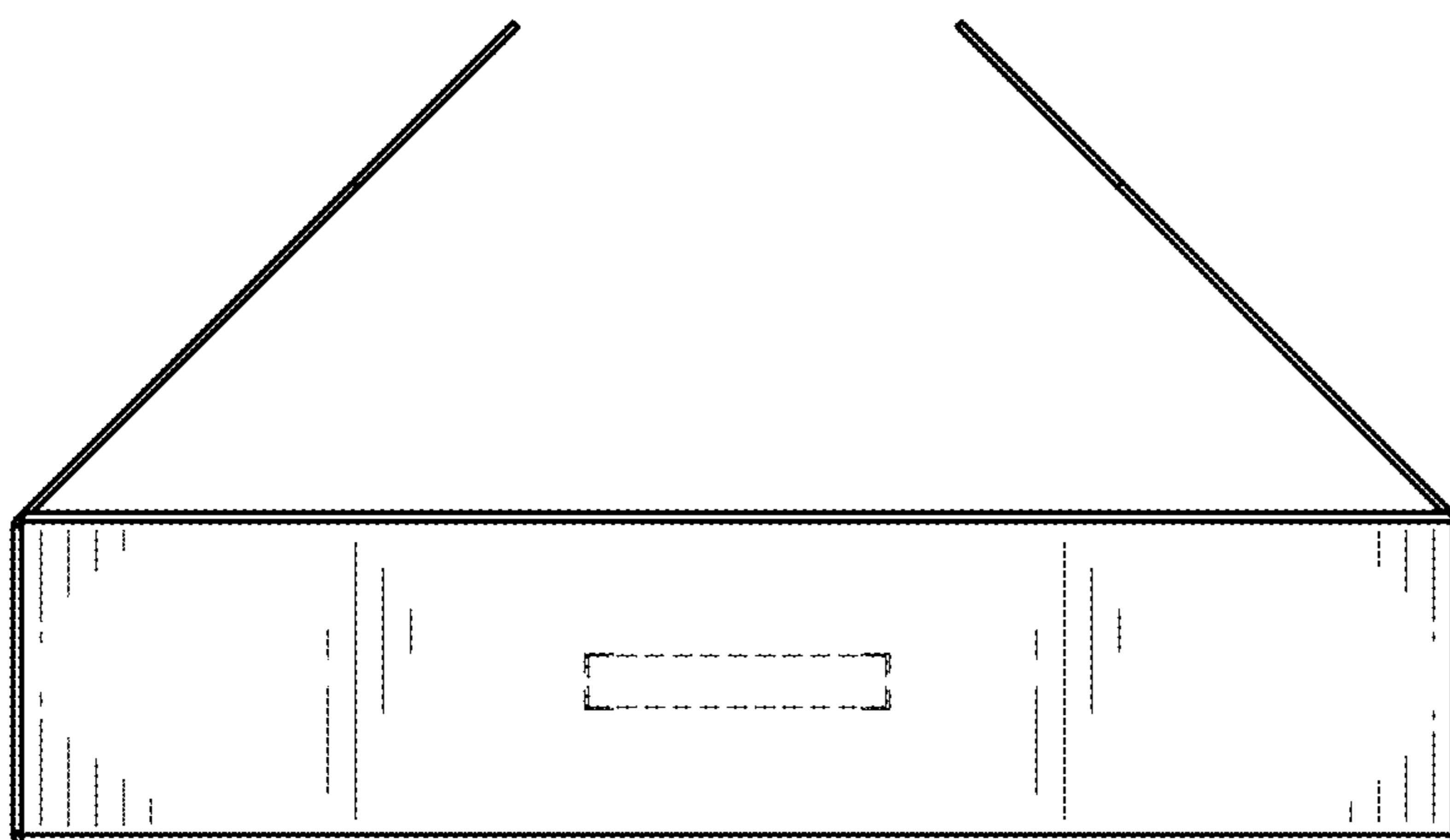


FIG. 6

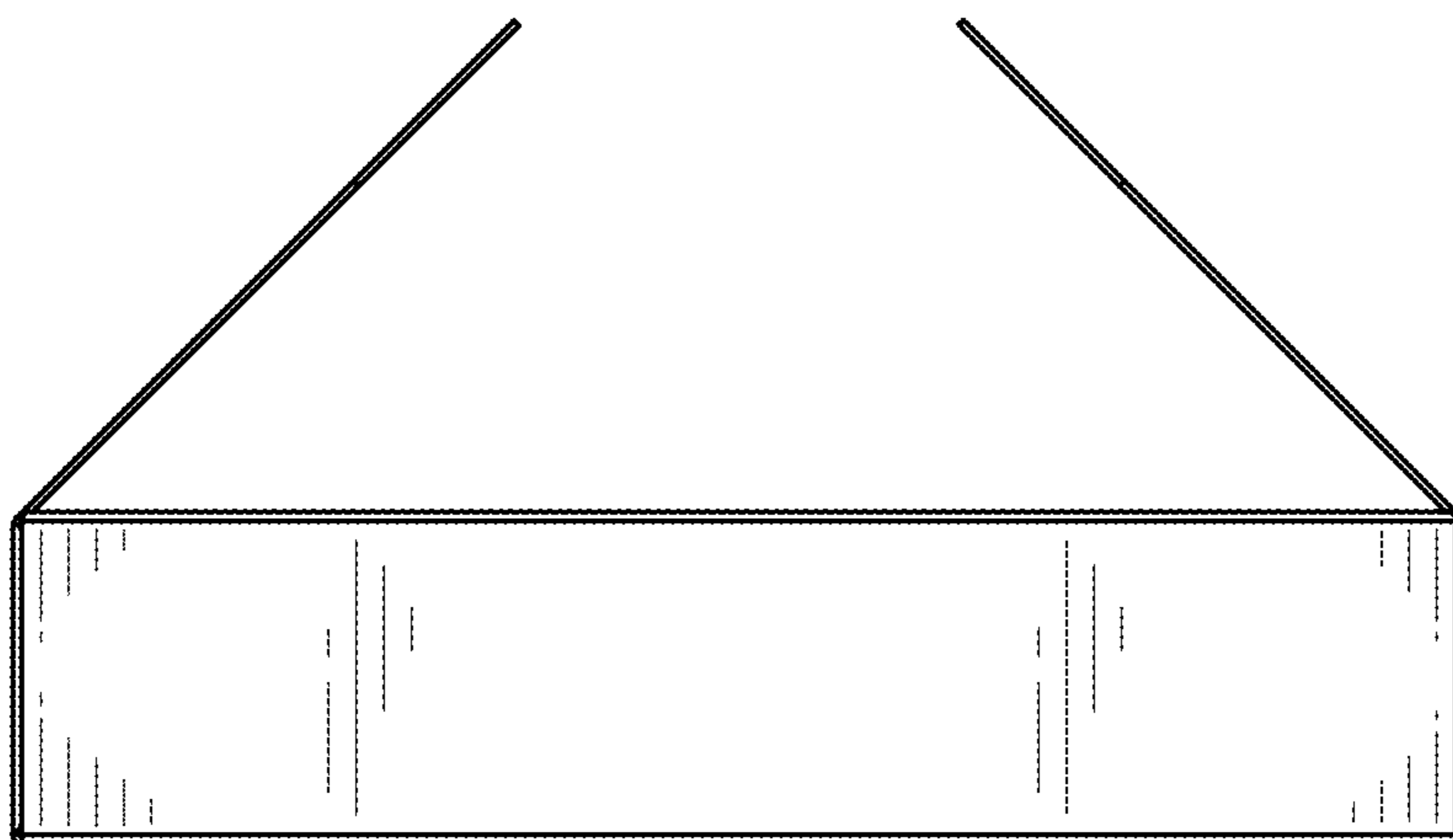


FIG. 7

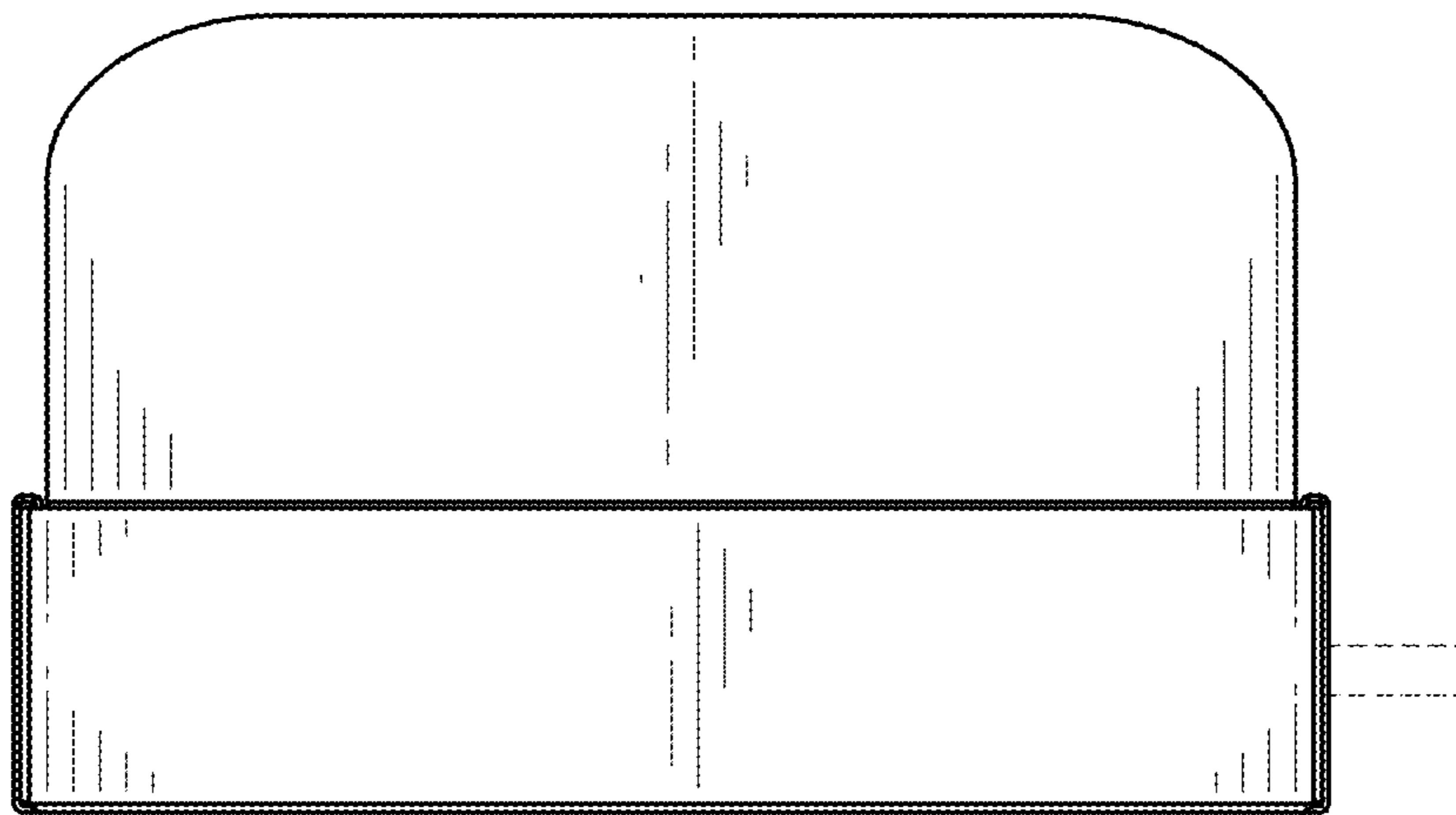


FIG. 8

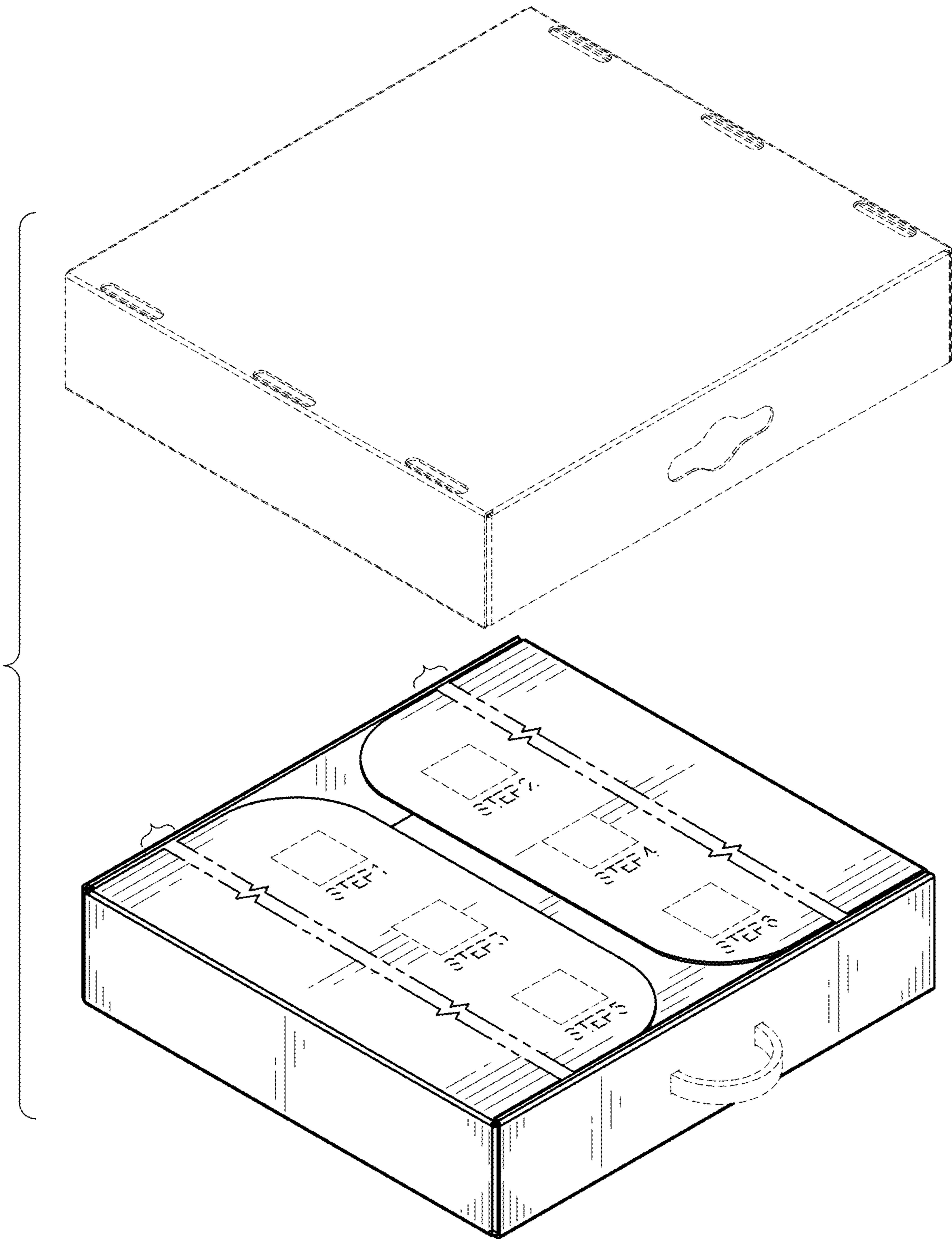


FIG. 9

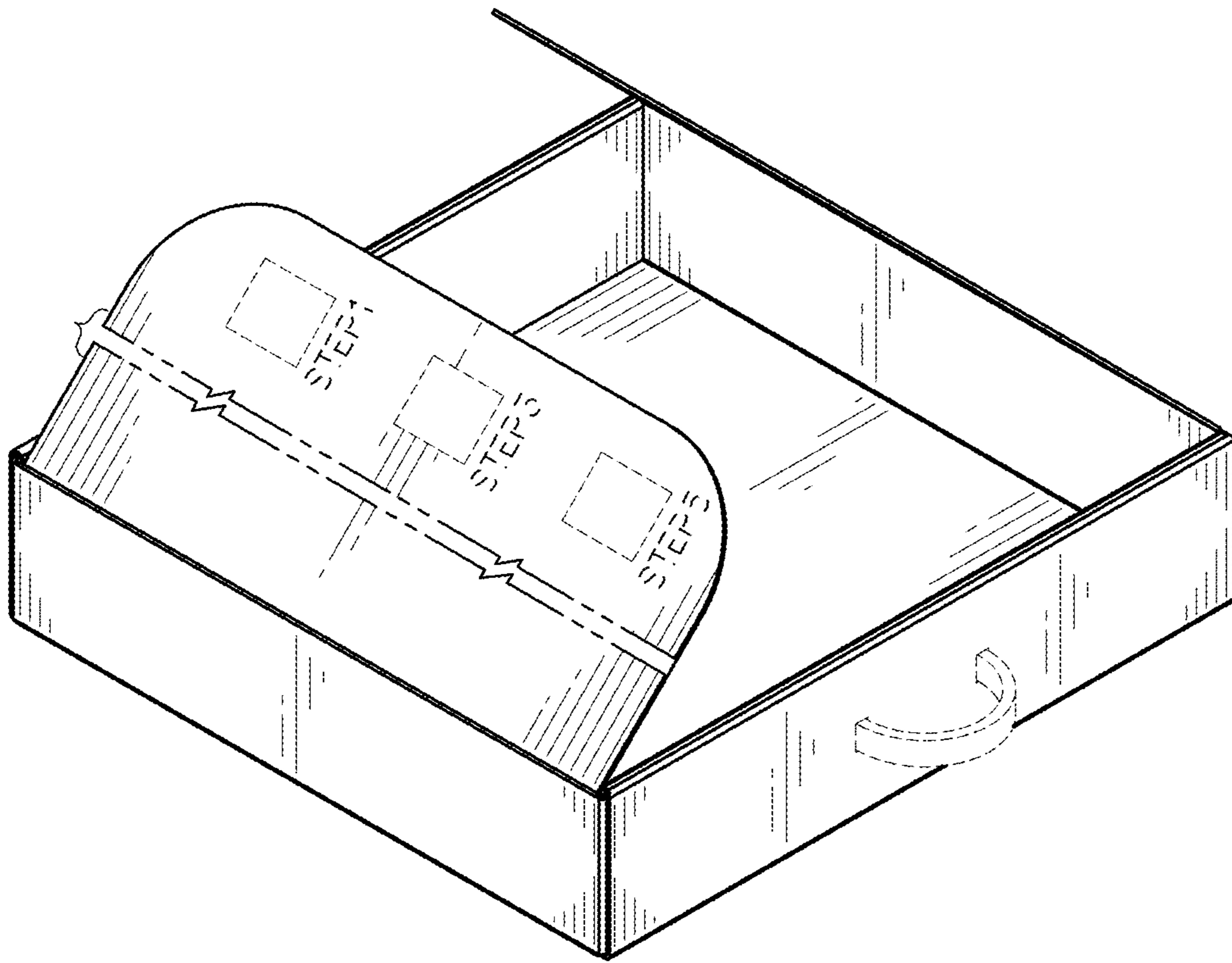


FIG. 10

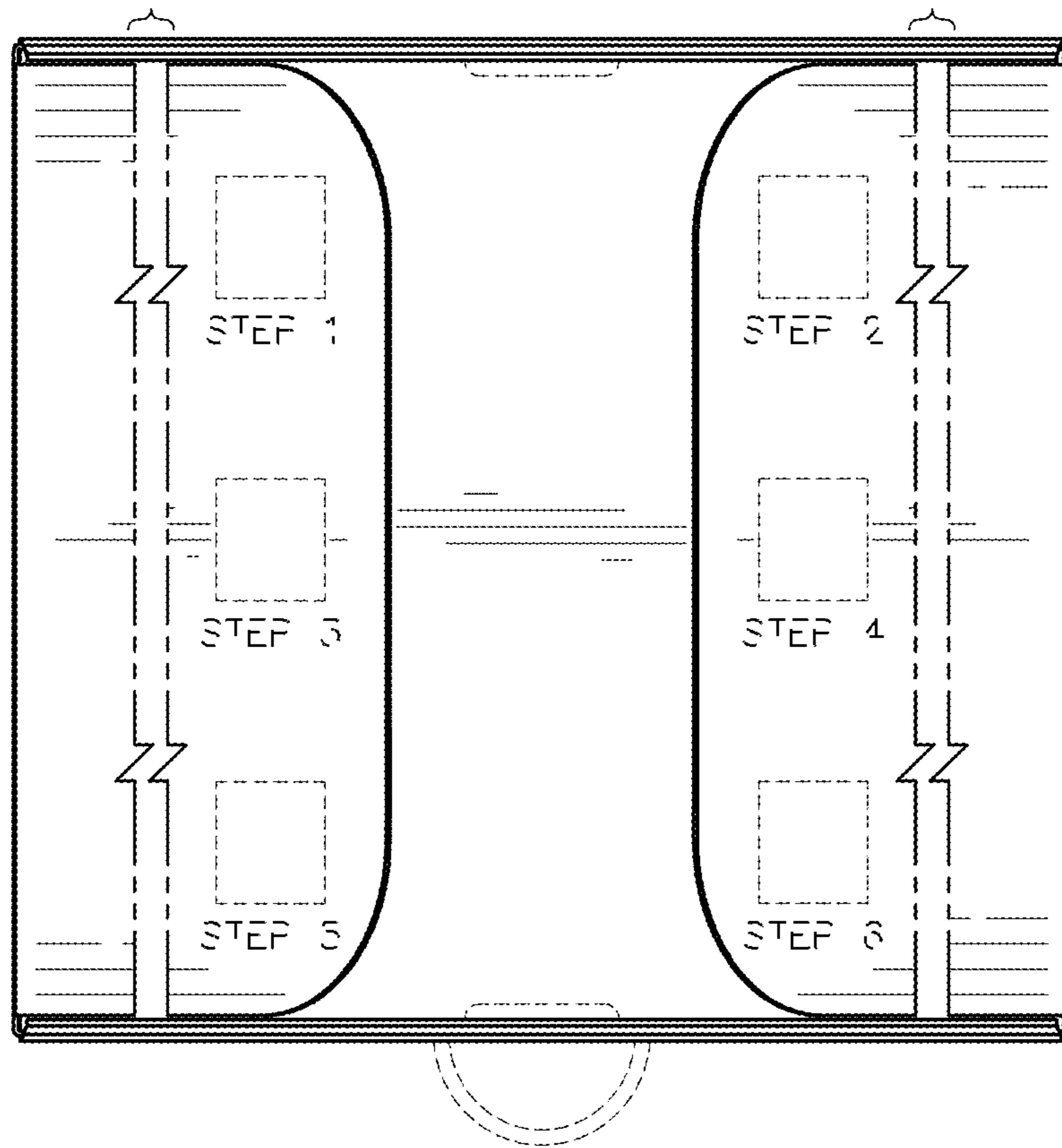


FIG. 11

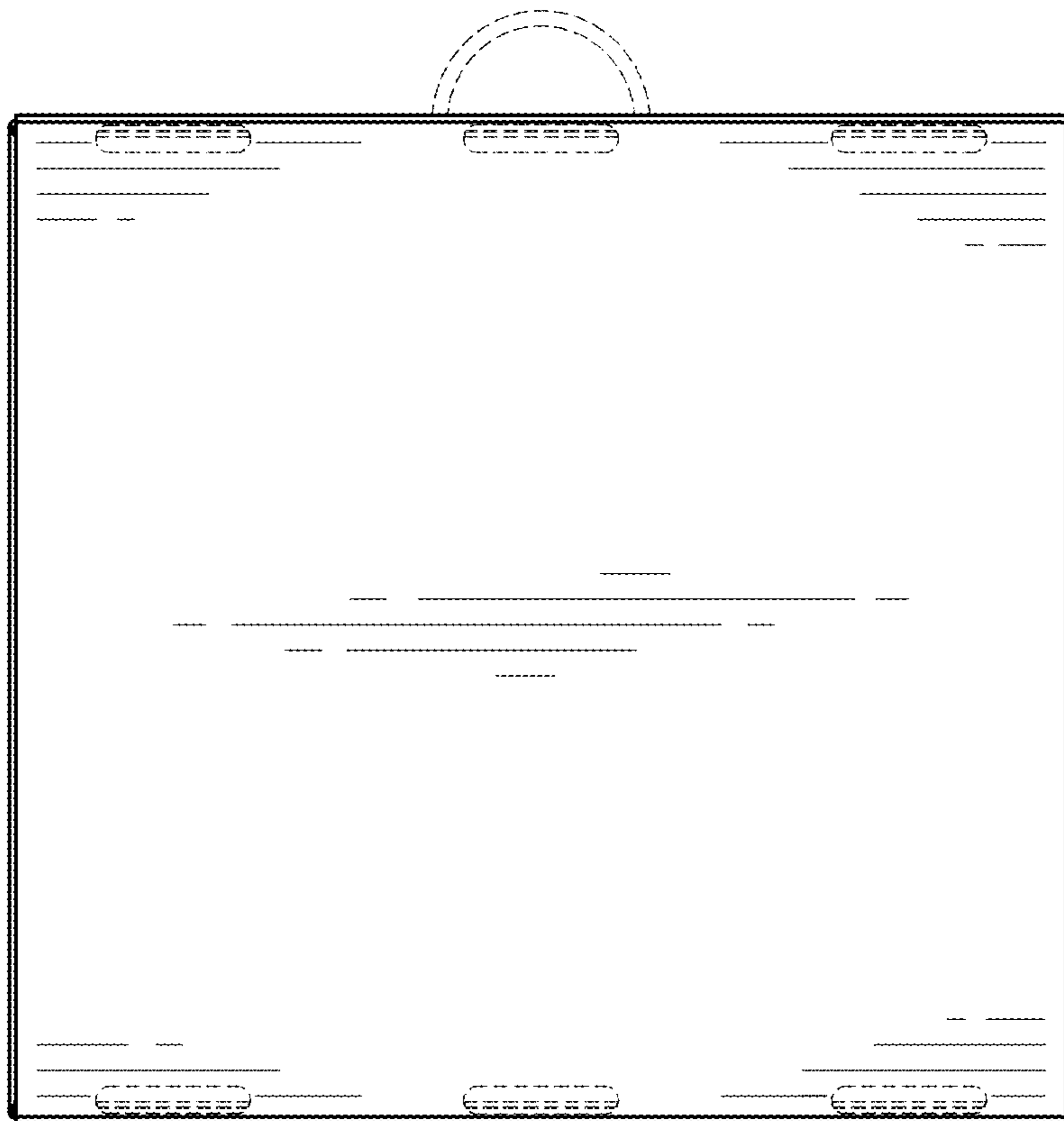


FIG. 12

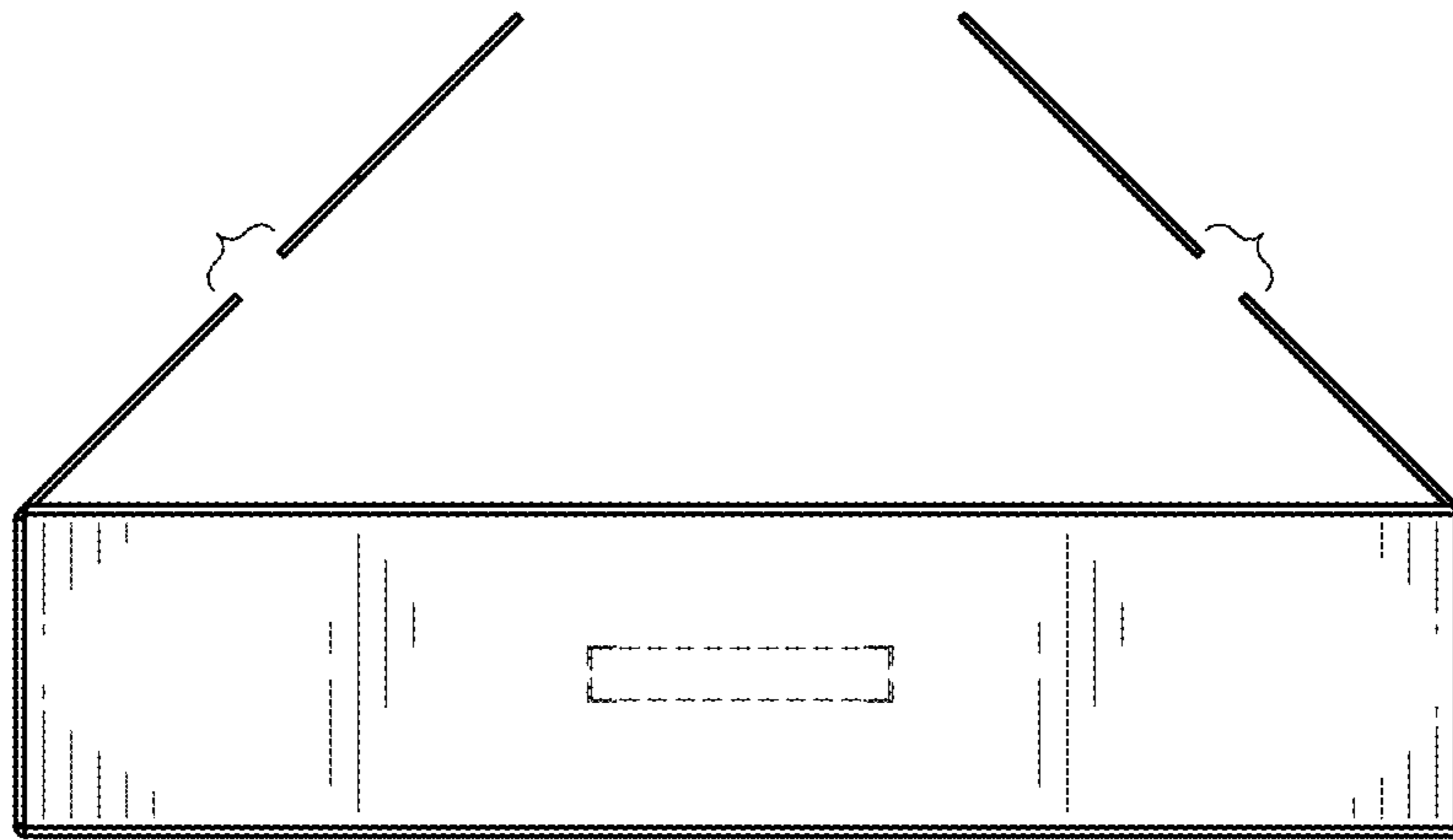


FIG. 13

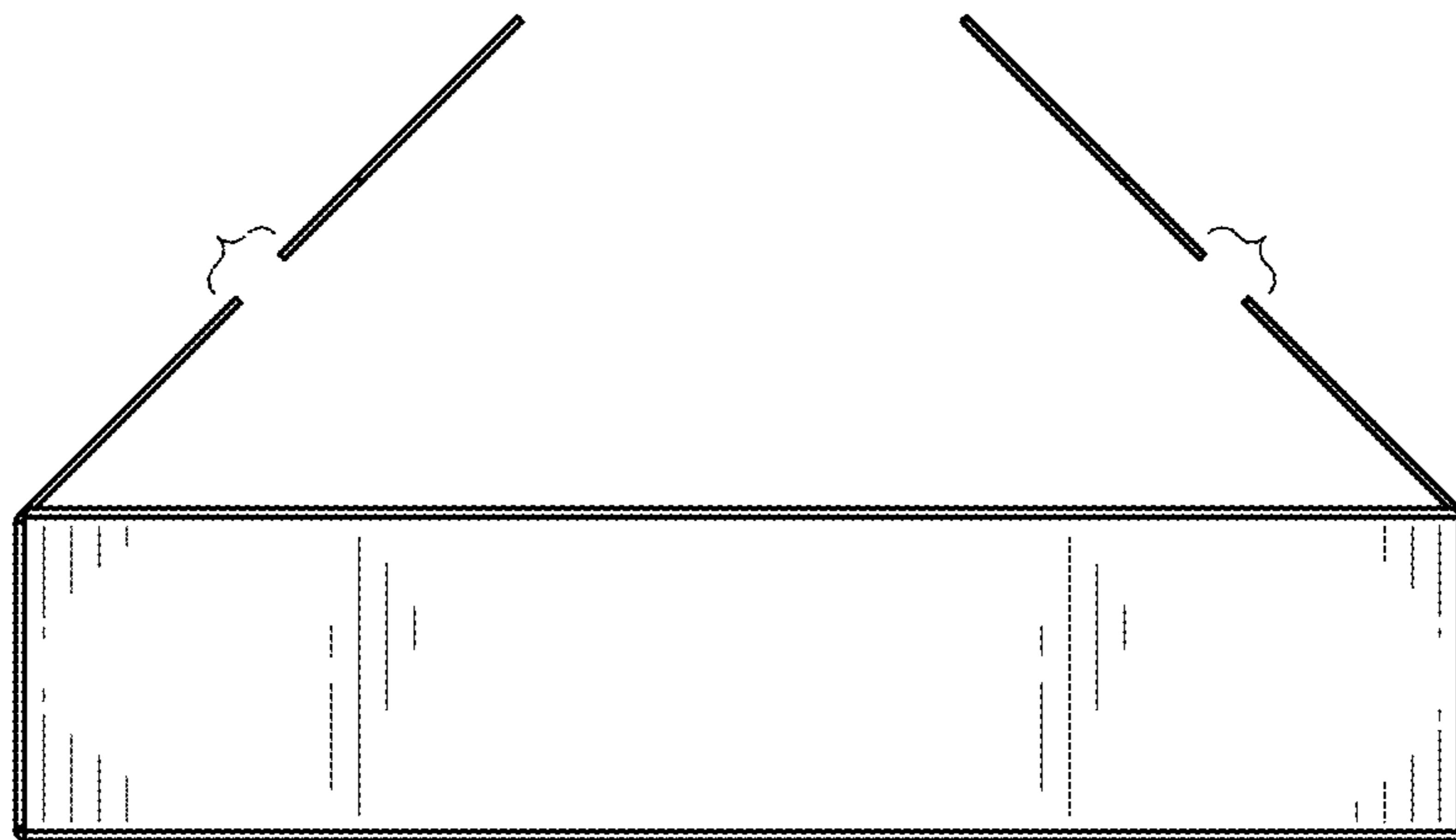


FIG. 14

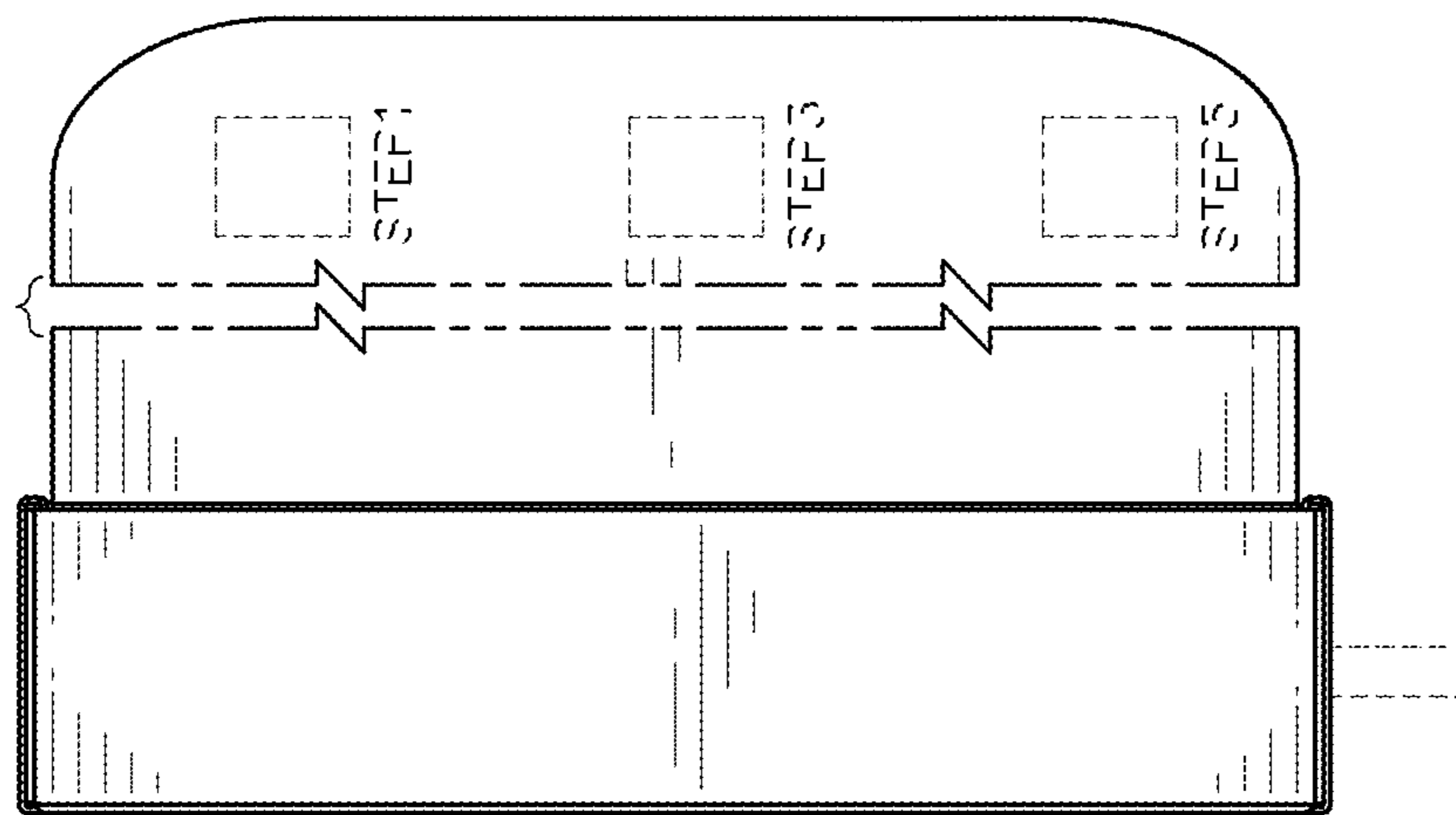


FIG. 15

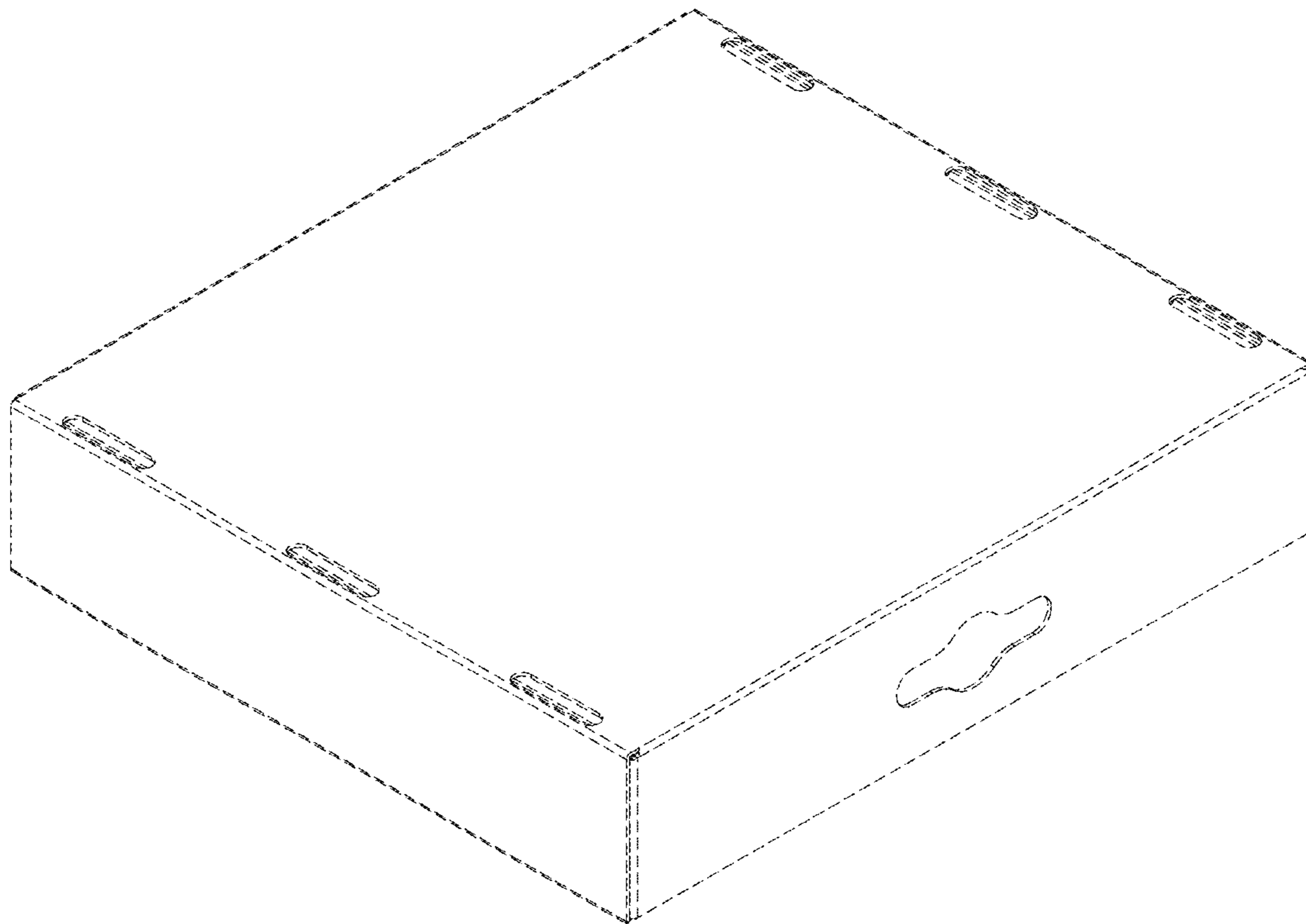


FIG. 16



FIG. 17



FIG. 18

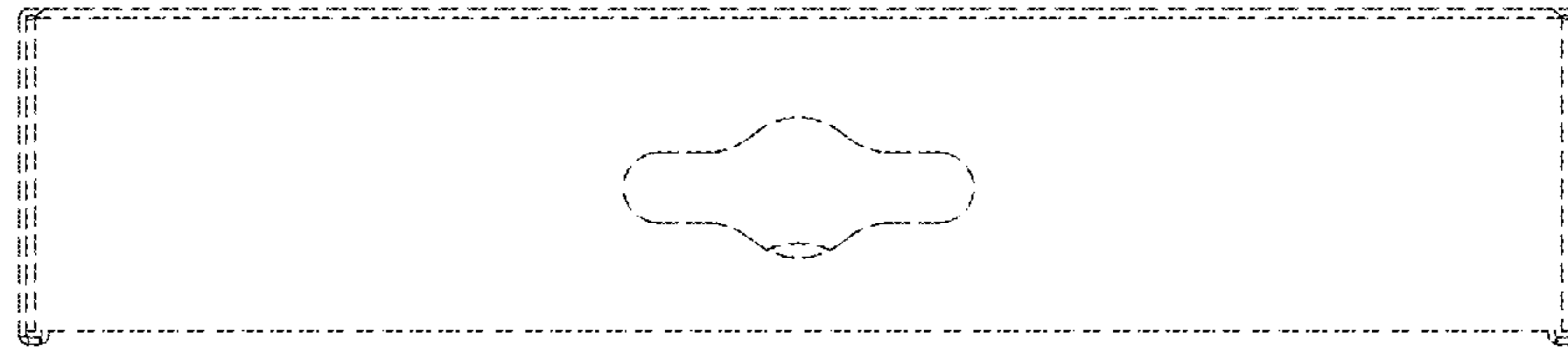


FIG. 19

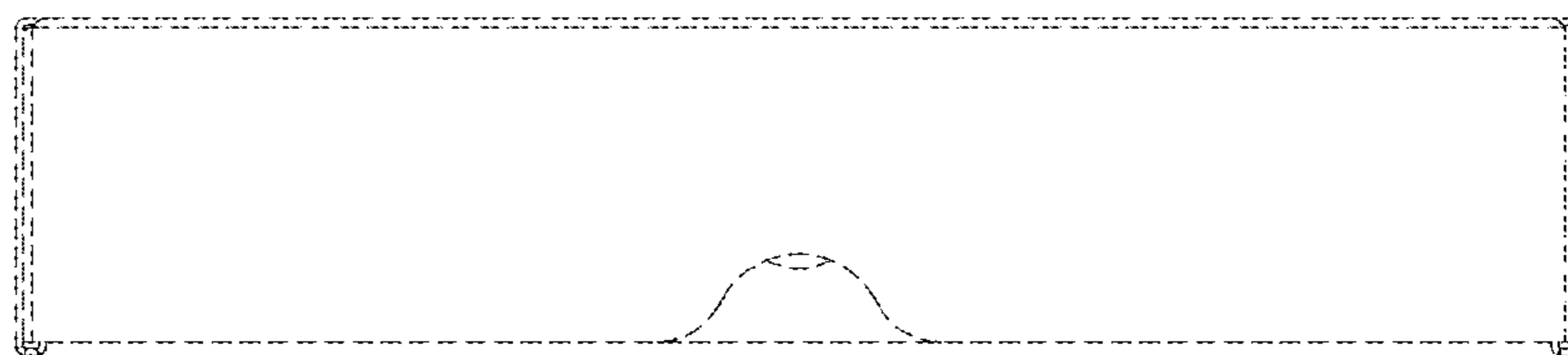


FIG. 20

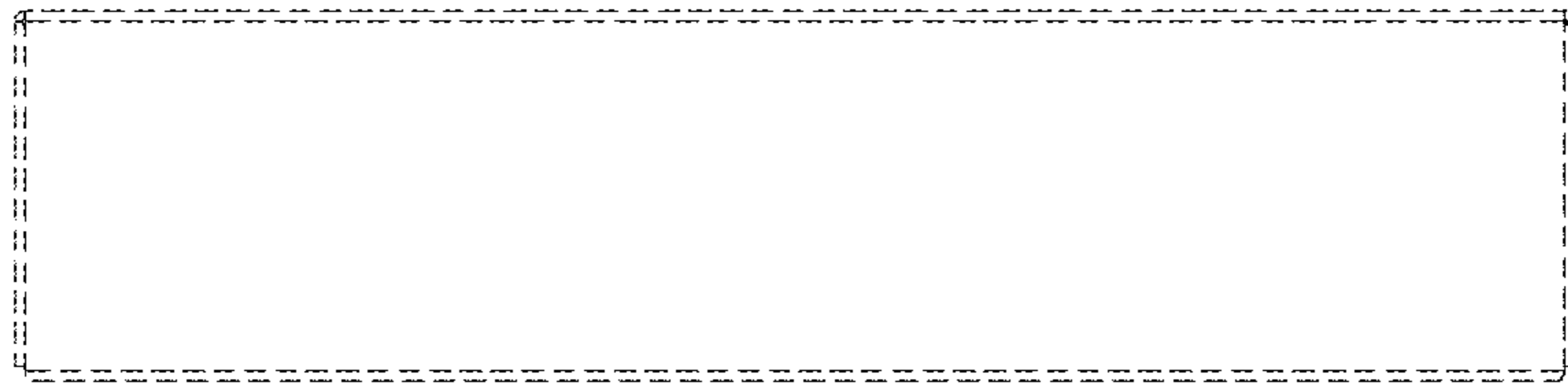


FIG. 21