



US00D868579S

(12) **United States Design Patent** (10) **Patent No.:** **US D868,579 S**
Wouters (45) **Date of Patent:** **** Dec. 3, 2019**

(54) **FOOD TRAY**

(71) Applicant: **Gate Gourmet Switzerland GmbH,**
Glattbrugg (CH)

(72) Inventor: **Luc Wouters,** Olen (BE)

(**) Term: **15 Years**

(21) Appl. No.: **29/640,105**

(22) Filed: **Mar. 12, 2018**

(30) **Foreign Application Priority Data**

Sep. 13, 2017 (EM) 004349686-0005

(51) **LOC (12) Cl.** **09-03**

(52) **U.S. Cl.**
USPC **D9/425**

(58) **Field of Classification Search**
USPC D7/400, 601, 608; D9/416, 417, 420,
D9/425-429, 430, 432, 761; 206/499,
206/501, 502, 821; 220/625, 656, 669,
220/670, 674; 229/123.1, 123.2, 125.33,
229/125.35, 400-407, 915, 939
CPC . B65D 1/26; B65D 1/40; B65D 5/243; B65D
81/3453; B65D 2581/34; B65D
2581/3404; B65D 2581/3456
See application file for complete search history.

(56) **References Cited**

U.S. PATENT DOCUMENTS

6,293,458 B1 * 9/2001 Sarnoff A47J 36/022
220/573.1
D570,681 S * 6/2008 Hussain D9/425

D638,700 S * 5/2011 Bouveret D9/425
D643,710 S * 8/2011 Samartgis D9/424
D679,587 S * 4/2013 Krueger D9/432
D682,116 S * 5/2013 Sina D9/425
D778,154 S * 2/2017 Strachan D7/554.3
2013/0015096 A1 * 1/2013 BeVier B65D 1/34
206/557

* cited by examiner

Primary Examiner — Derrick E Holland
Assistant Examiner — Janice Patyk
(74) *Attorney, Agent, or Firm* — Woodard, Emhardt,
Henry, Reeves & Wagner LLP

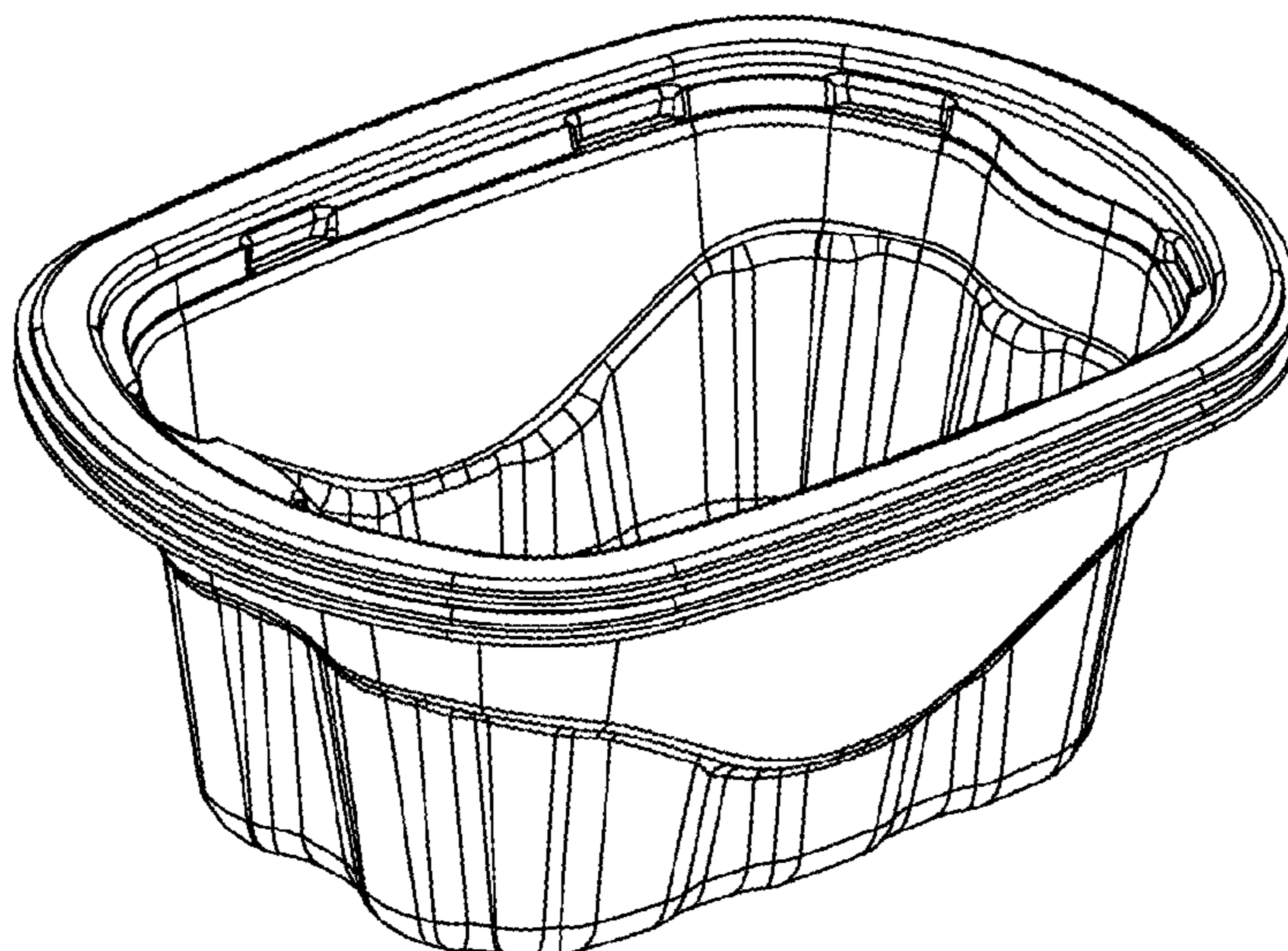
(57) **CLAIM**

The ornamental design for a food tray, as shown and described.

DESCRIPTION

FIG. 1 is a perspective view of a food tray, showing my new design.
FIG. 2 is a top view thereof.
FIG. 3 is a bottom view thereof.
FIG. 4 is a front view thereof, the rear view being a mirror image.
FIG. 5 is a left side view thereof; and,
FIG. 6 is a right side view thereof.
The broken lines in the figures illustrate portions of the design that form no part of the claimed design.

1 Claim, 3 Drawing Sheets



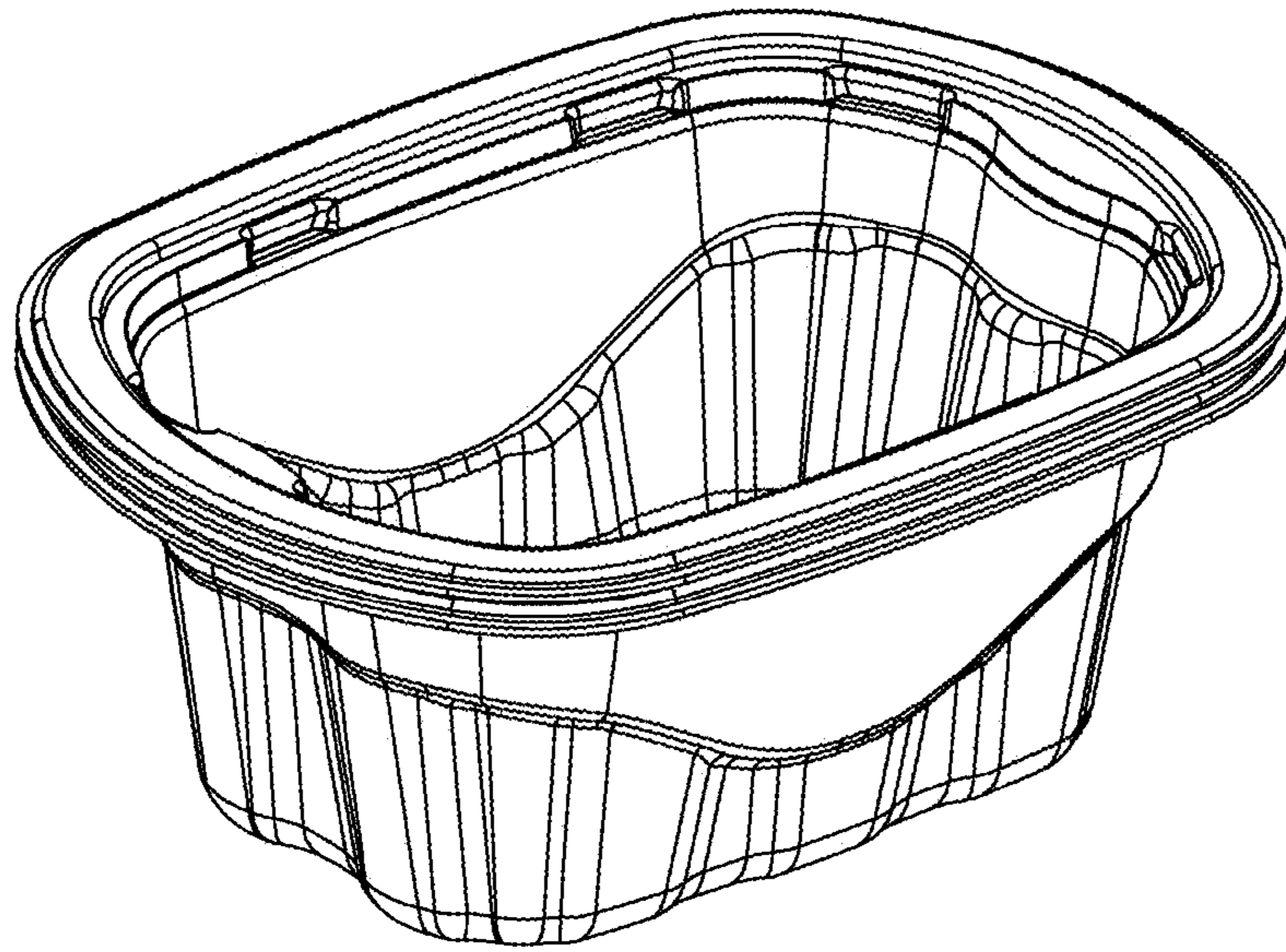


FIG 1

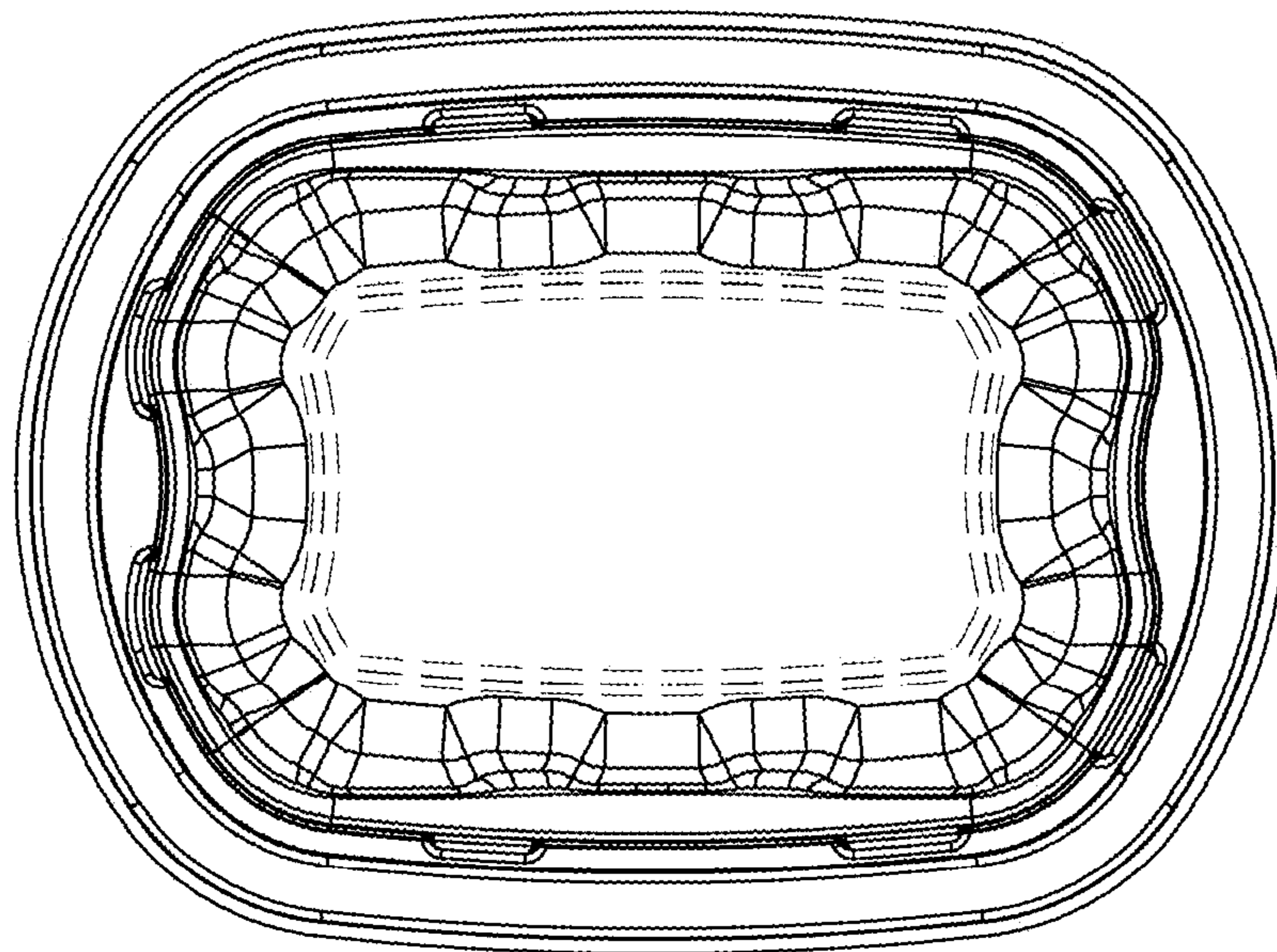


FIG 2

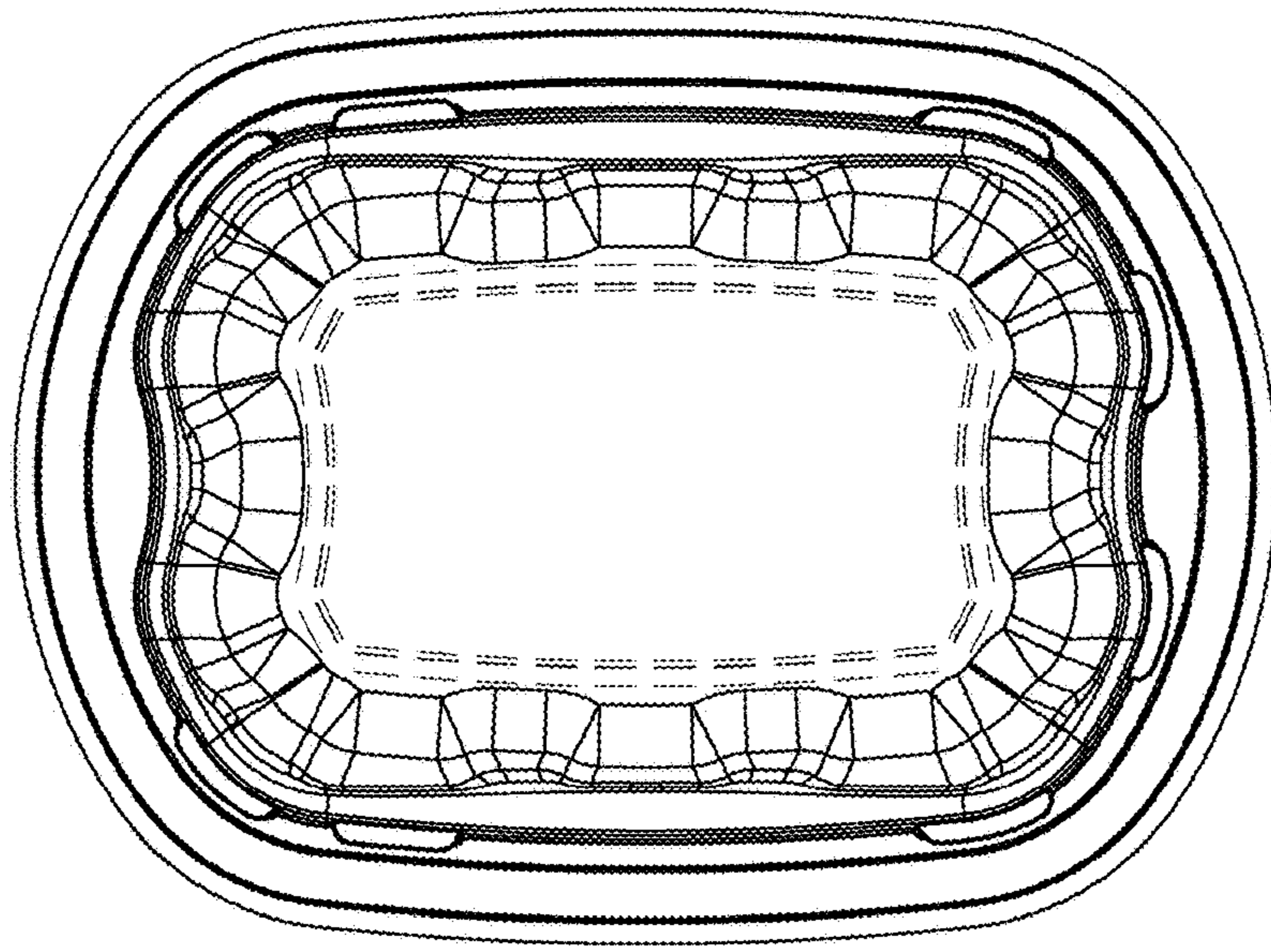


FIG 3

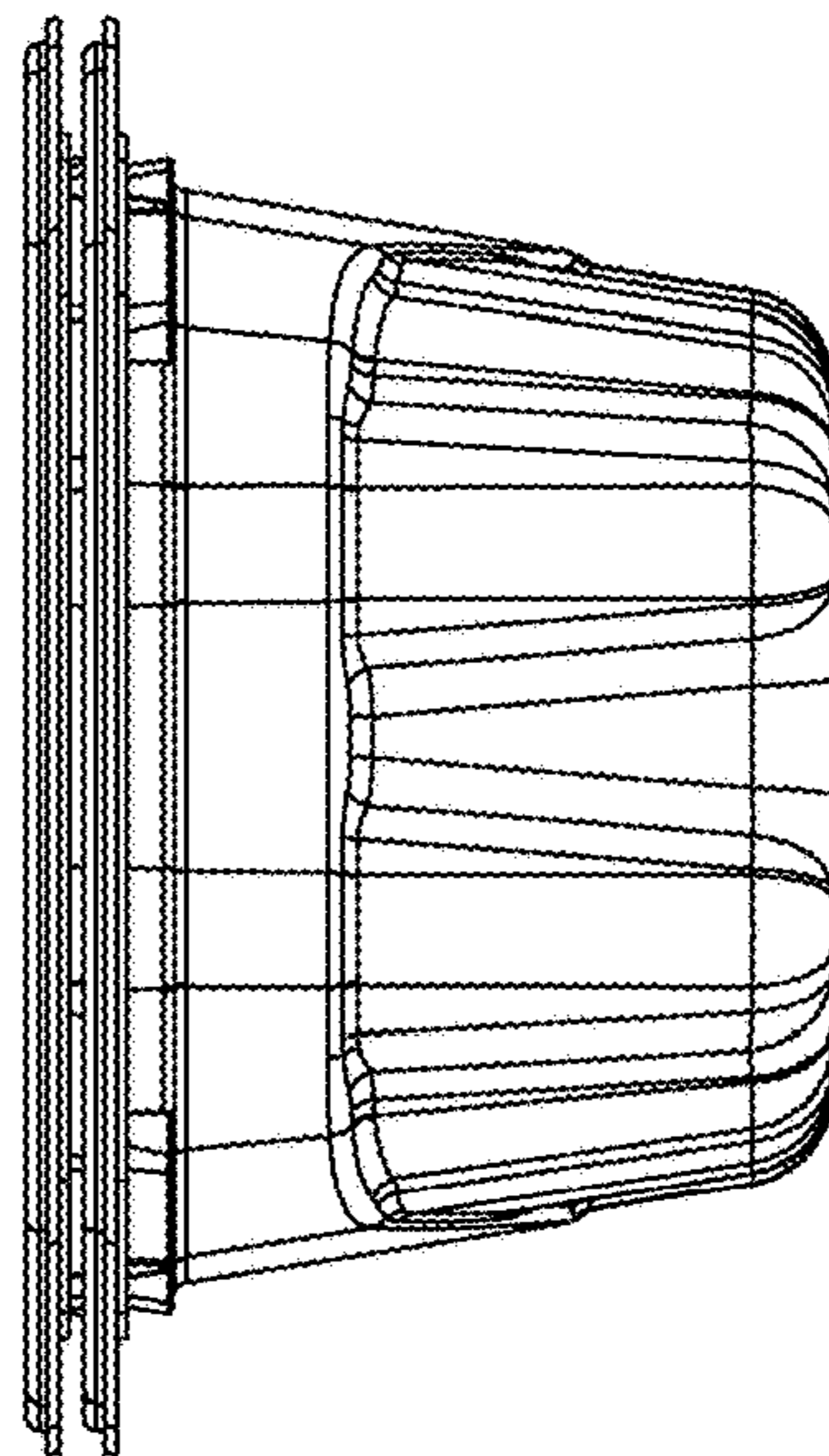


FIG 4

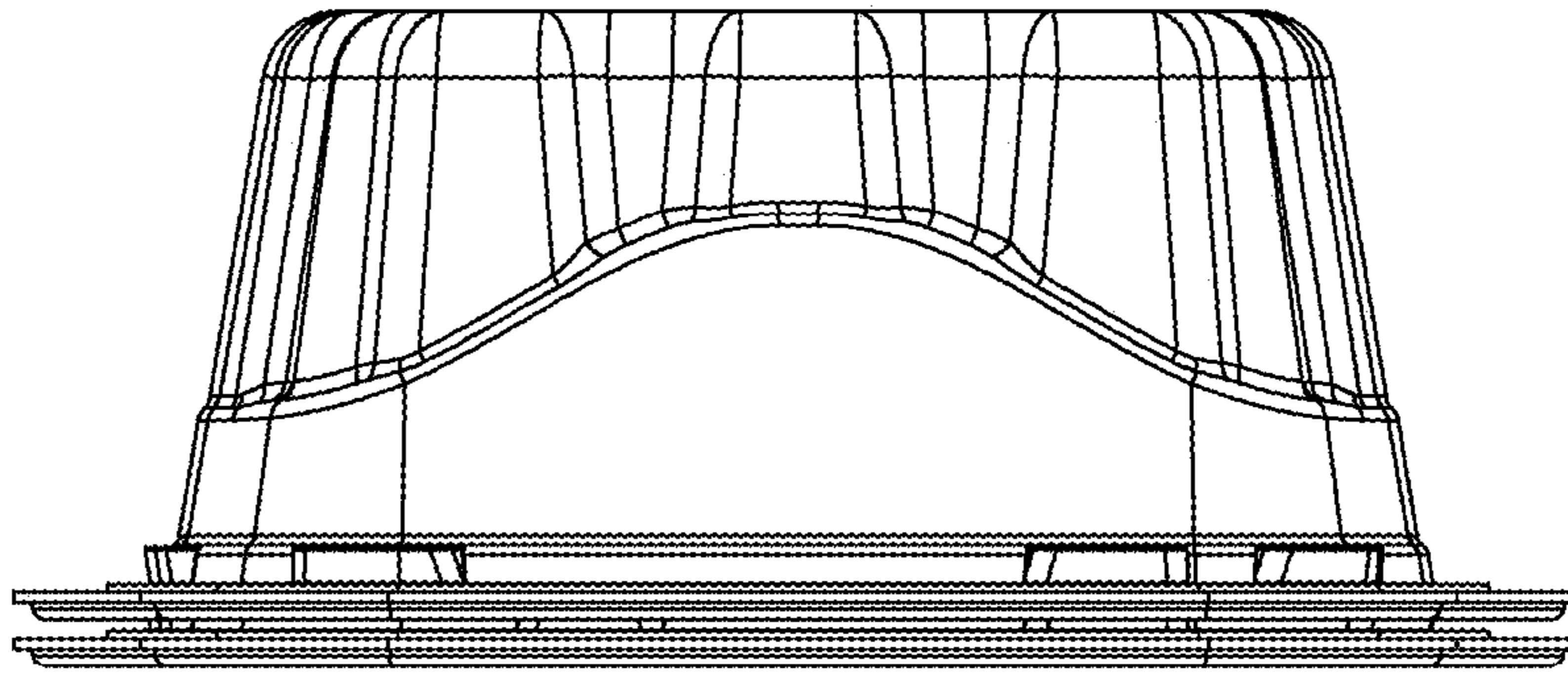


FIG 5

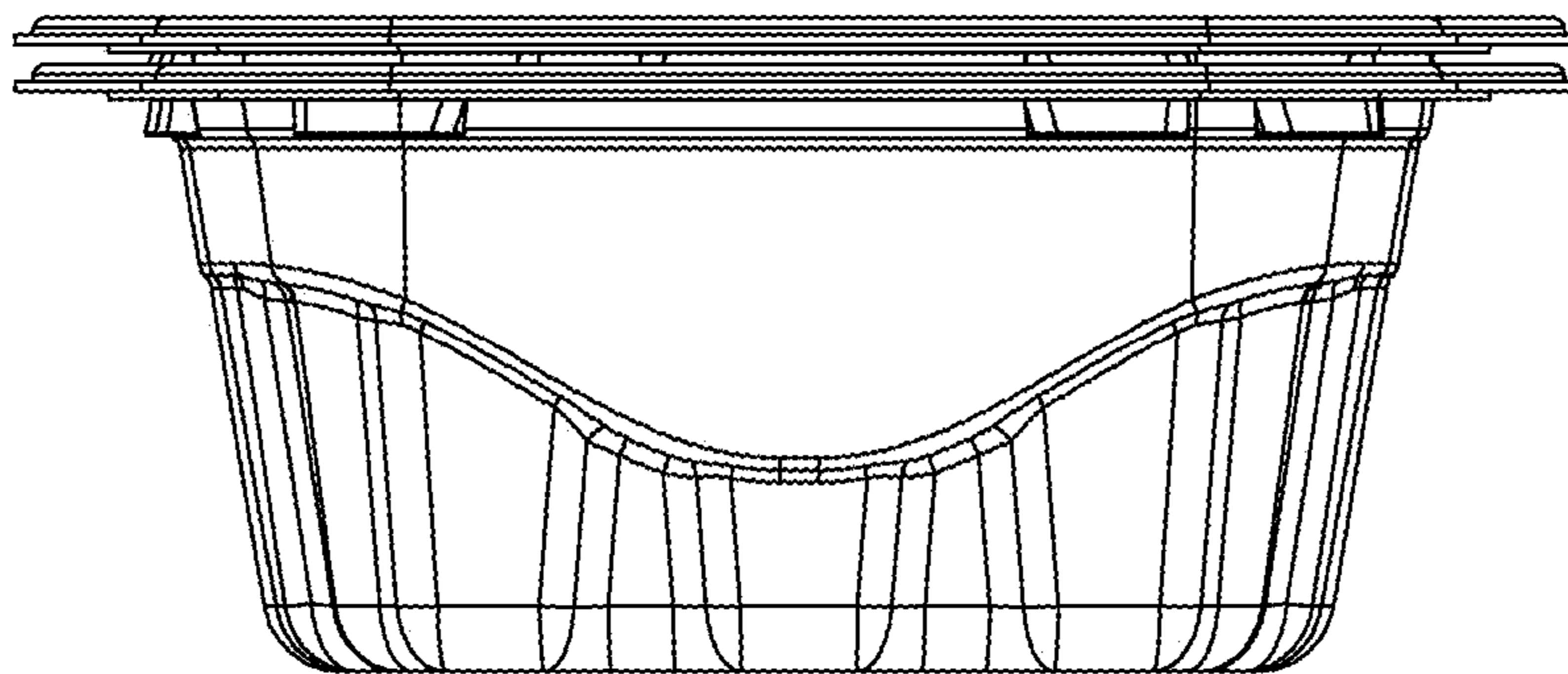


FIG 6