



US00D868573S

(12) **United States Design Patent**
Owens et al.

(10) **Patent No.:** **US D868,573 S**

(45) **Date of Patent:** **** Dec. 3, 2019**

(54) **POST CLAMP**

(71) Applicant: **WeatherSure Systems, Inc.**, Denver, CO (US)

(72) Inventors: **Rodney Owens**, Denver, CO (US);
Phillip Owens, Denver, CO (US)

(73) Assignee: **WeatherSure Systems, Inc.**, Denver, CO (US)

(**) Term: **15 Years**

(21) Appl. No.: **29/611,309**

(22) Filed: **Jul. 20, 2017**

(51) **LOC (12) Cl.** **08-08**

(52) **U.S. Cl.**
USPC **D8/394**

(58) **Field of Classification Search**

USPC D8/349, 354, 382, 394, 395, 396, 499
CPC A63H 33/01; A63H 33/32; E04H 17/1421;
E04H 12/22; Y10T 24/14; Y10T 24/1414;
Y10T 24/1454; Y10T 24/1486; Y10T
24/3958; Y10T 70/411; Y10T 292/20

See application file for complete search history.

(56) **References Cited**

U.S. PATENT DOCUMENTS

1,454,502 A 5/1923 Bosco
1,464,502 A * 8/1923 Evers F16D 65/04
188/264 B
1,596,657 A * 8/1926 Heber E04H 12/2292
52/168

(Continued)

Primary Examiner — John Windmuller

Assistant Examiner — Steven J Czyz

(74) *Attorney, Agent, or Firm* — Trenner Law Firm, LLC;
Mark D. Trenner

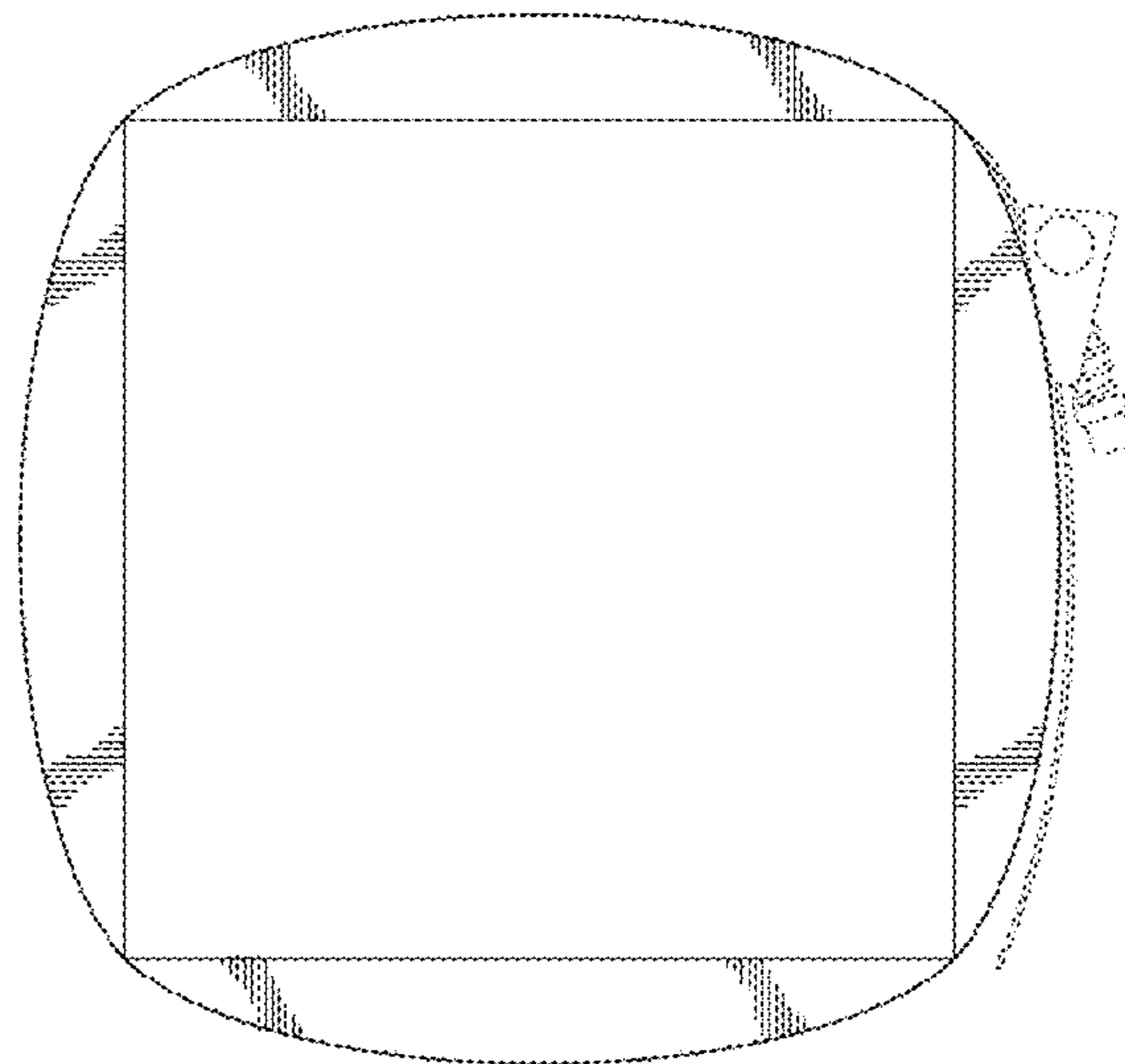
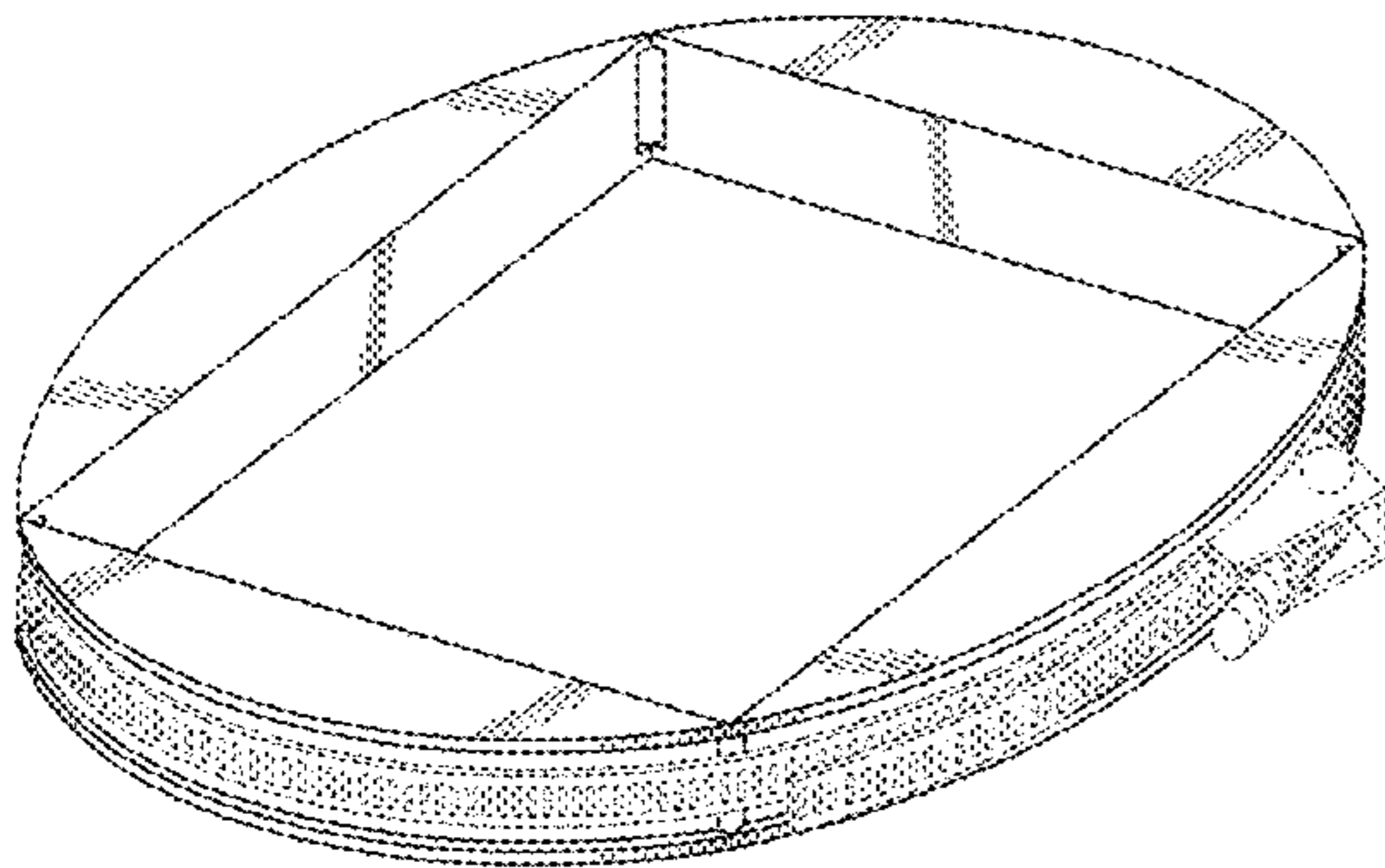
(57) **CLAIM**

The ornamental design for a post clamp, substantially as shown and described.

DESCRIPTION

FIG. 1 is a top perspective view of a segment of a post clamp, shown separately for ease of disclosure;
FIG. 2 is a bottom perspective view of the post clamp of FIG. 1;
FIG. 3 is a rear view of the design corresponding to FIG. 1;
FIG. 4 is a front view of the design corresponding to FIG. 1;
FIG. 5 is a right-side view of the design corresponding to FIG. 1;
FIG. 6 is a left-side view of the design corresponding to FIG. 1;
FIG. 7 is a top view of the design corresponding to FIG. 1;
FIG. 8 is a bottom view of the design corresponding to FIG. 1; and
FIG. 9 is a top perspective view of the post clamp, shown with environment;
FIG. 10 is a bottom perspective view corresponding to FIG. 9;
FIG. 11 is a front view of the design corresponding to FIG. 9;
FIG. 12 is a rear view of the design corresponding to FIG. 9;
FIG. 13 is a right-side view of the design corresponding to FIG. 9;
FIG. 14 is a left-side view of the design corresponding to FIG. 9;
FIG. 15 is a top view of the design corresponding to FIG. 9;
FIG. 16 is a bottom view of the design corresponding to FIG. 1; and,
FIG. 17 is a top perspective view of the post clamp, shown with environment and in use.
The broken lines depict environment that forms no part of the claimed design.

1 Claim, 10 Drawing Sheets



(56)

References Cited

U.S. PATENT DOCUMENTS

1,749,637 A 3/1930 Kingston
 1,749,837 A * 3/1930 Nickell, Jr. F16H 63/22
 74/334
 1,982,569 A * 11/1934 Byrd E04H 12/2292
 52/298
 2,724,156 A * 11/1955 Shaw E04H 12/2292
 52/168
 2,853,261 A * 9/1958 Loeb A47G 23/0216
 248/151
 D229,384 S * 11/1973 Groce et al. D8/354
 3,871,145 A * 3/1975 Hatmaker E04D 13/1407
 138/162
 D245,477 S * 8/1977 Mullenax D8/354
 4,088,294 A * 5/1978 Aliment A47G 33/12
 248/247
 4,172,607 A * 10/1979 Norton F16L 21/005
 285/236
 D275,059 S * 8/1984 Hoeffler D8/395
 5,335,471 A * 8/1994 Kupiec E01F 15/003
 248/218.4
 5,571,229 A * 11/1996 Fitzsimmons A63B 71/023
 248/156
 5,746,405 A * 5/1998 Dvorak F24H 9/06
 248/146
 5,832,675 A * 11/1998 Zuares E04H 12/2292
 52/60

6,041,559 A * 3/2000 Schickert A63B 71/028
 248/156
 D423,910 S * 5/2000 Cyrell D8/349
 D424,566 S * 5/2000 Baker D14/217
 D481,228 S * 10/2003 Shilling D8/382
 D584,598 S * 1/2009 Dale D8/354
 D602,347 S * 10/2009 Allen D8/382
 7,621,080 B2 * 11/2009 Stanfield E04H 12/2292
 52/170
 D614,947 S * 5/2010 Hennon D8/380
 D632,544 S * 2/2011 Garcia, Jr. D12/223
 D658,972 S * 5/2012 Virgin D8/349
 D697,393 S * 1/2014 Sauer D8/382
 D698,623 S * 2/2014 Bird D8/354
 D736,072 S * 8/2015 Sandman D8/394
 D737,133 S * 8/2015 Sandman D8/396
 D787,305 S * 5/2017 McNamee, Jr. D8/396
 D788,856 S * 6/2017 Jung D21/472
 10,010,804 B1 * 7/2018 Jung A63H 33/32
 D847,607 S * 5/2019 Granberg D8/349
 2006/0185270 A1 * 8/2006 Handley E04C 3/30
 52/169.14
 2008/0251687 A1 * 10/2008 Taufield A63H 33/32
 249/61
 2013/0069265 A1 * 3/2013 Djoboulia E04G 11/06
 264/33
 2014/0166848 A1 * 6/2014 Hunt E02D 27/013
 249/1
 2014/0264220 A1 * 9/2014 Doyle E04H 17/1421
 256/65.06

* cited by examiner

Fig. 1

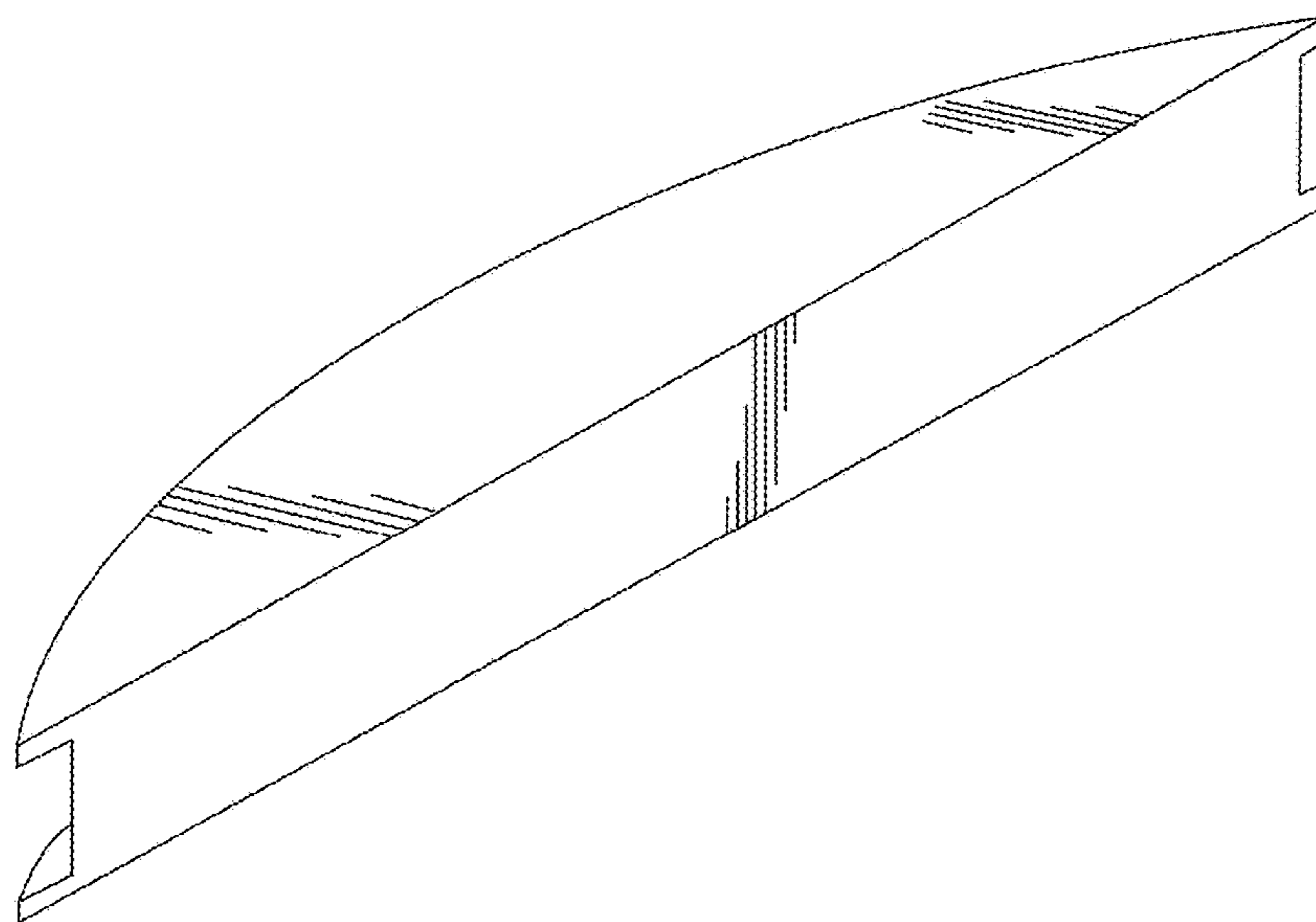


Fig. 2

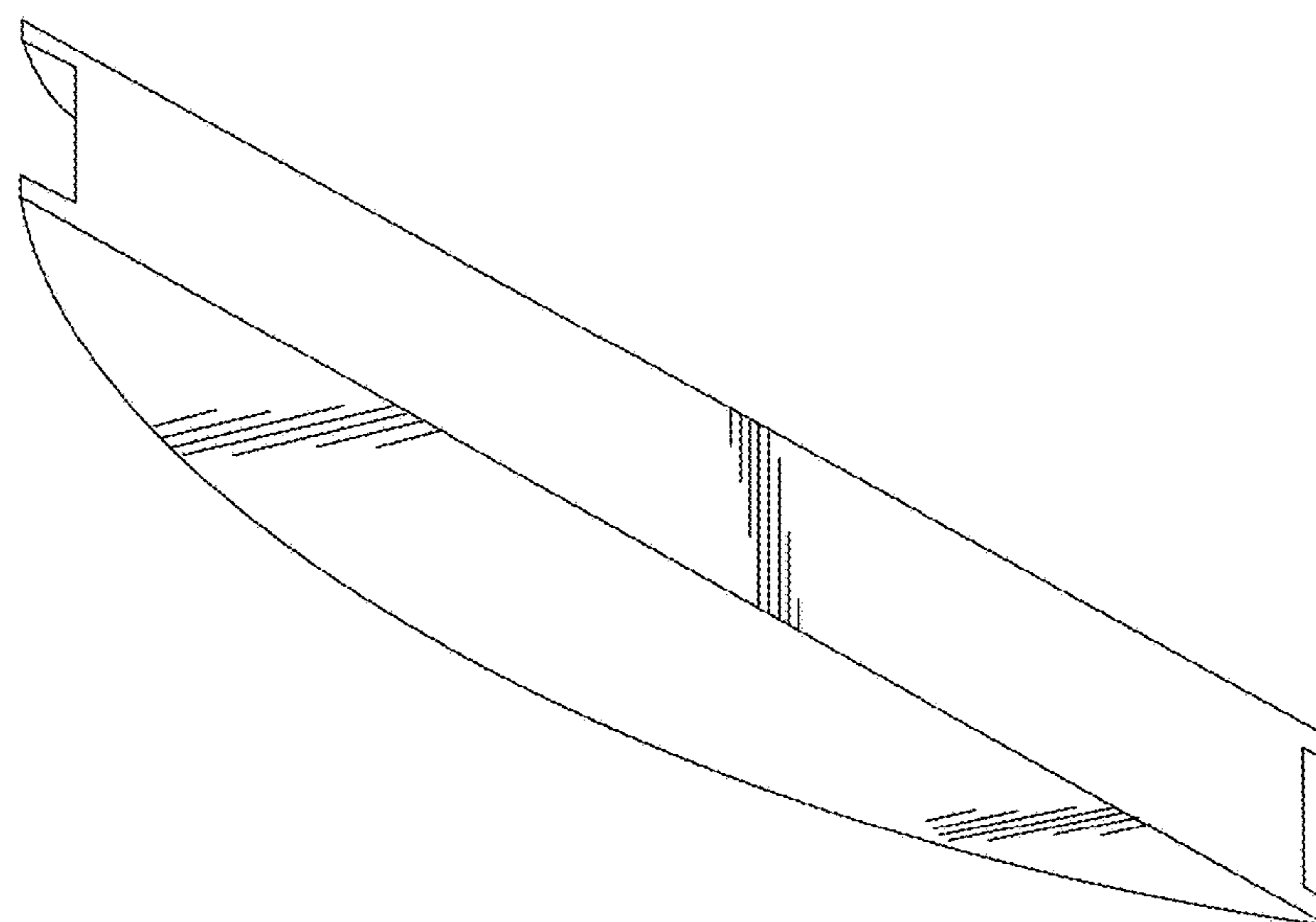


Fig. 3

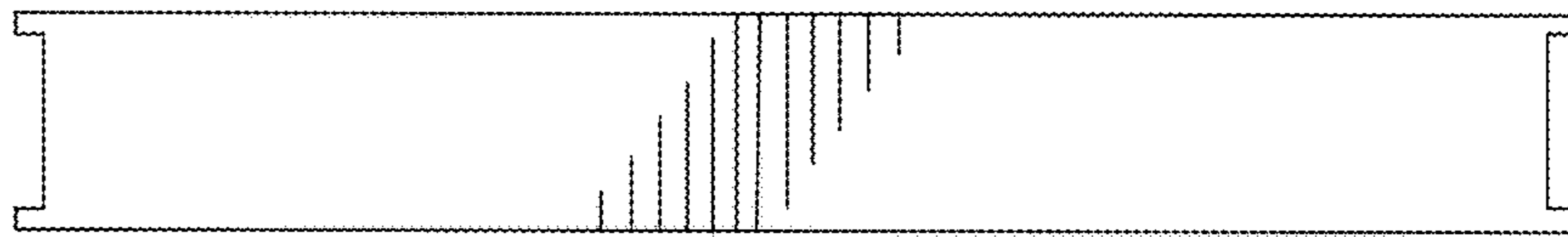


Fig. 4

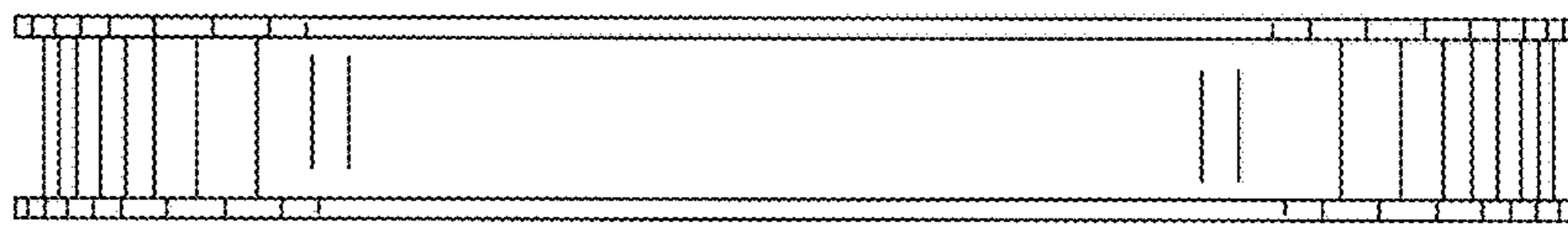


Fig. 5

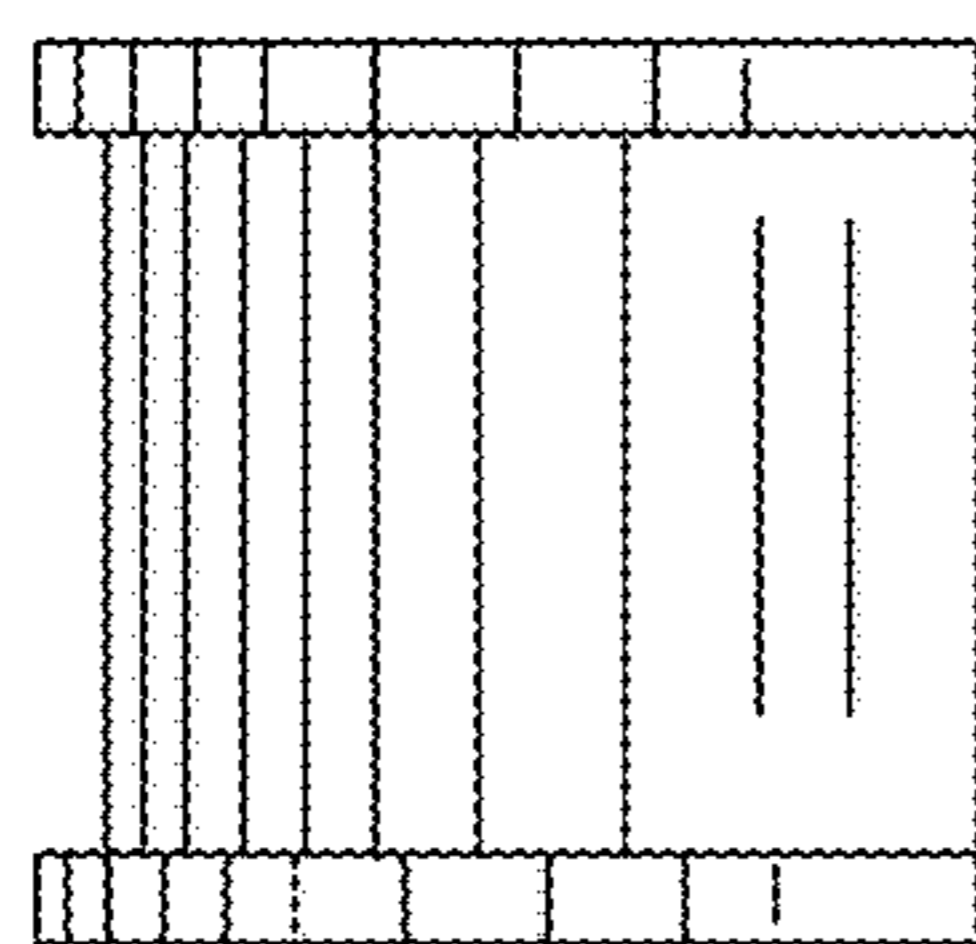


Fig. 6

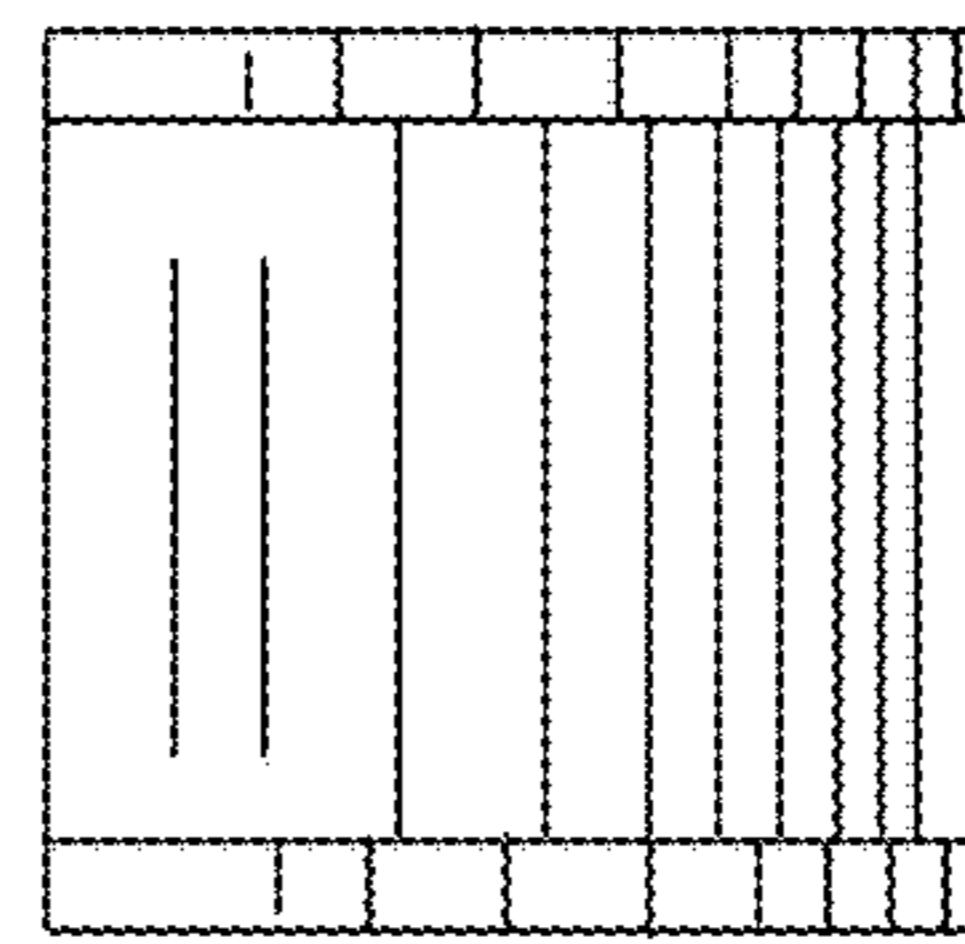


Fig. 7



Fig. 8



Fig. 9

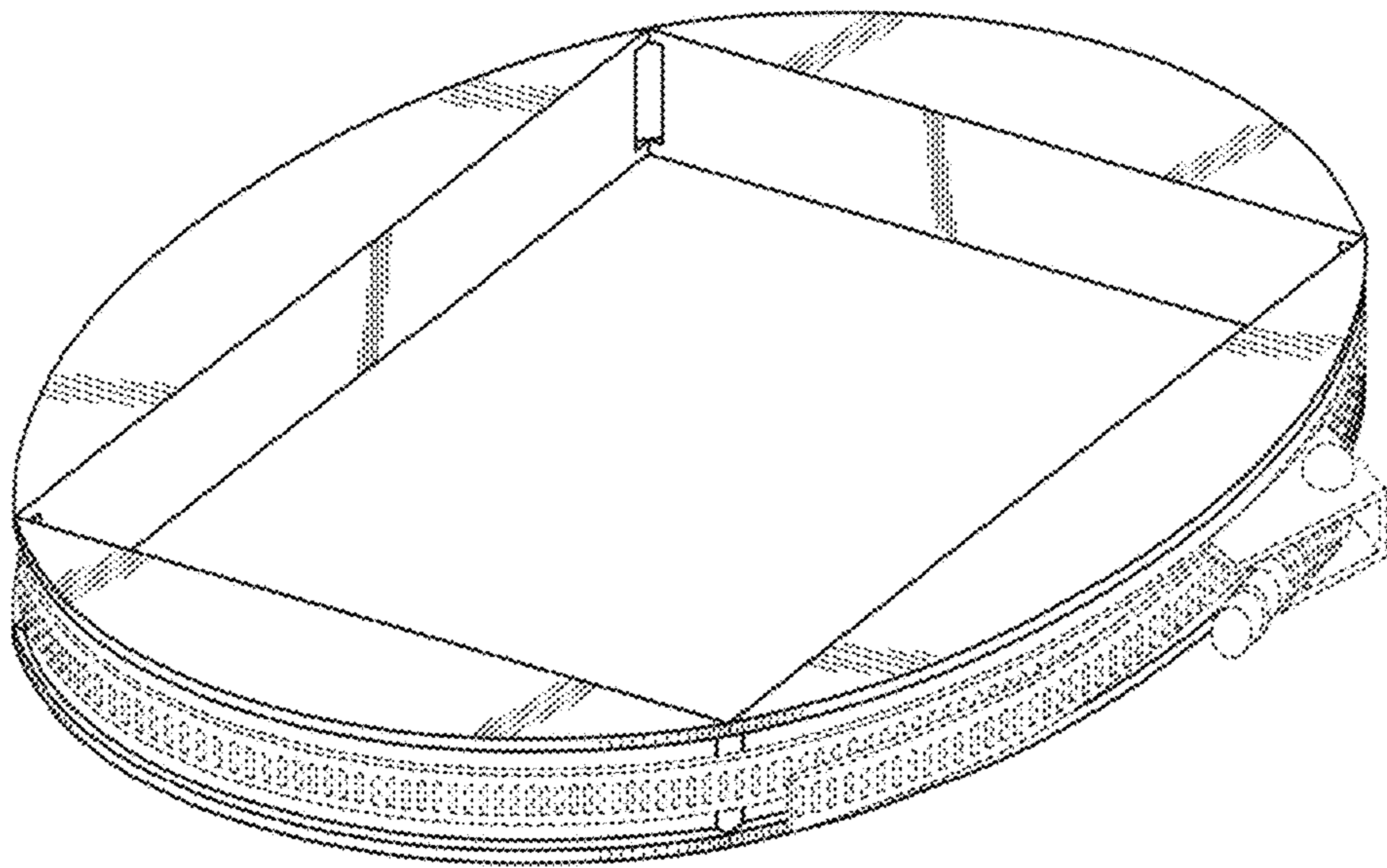


Fig. 10

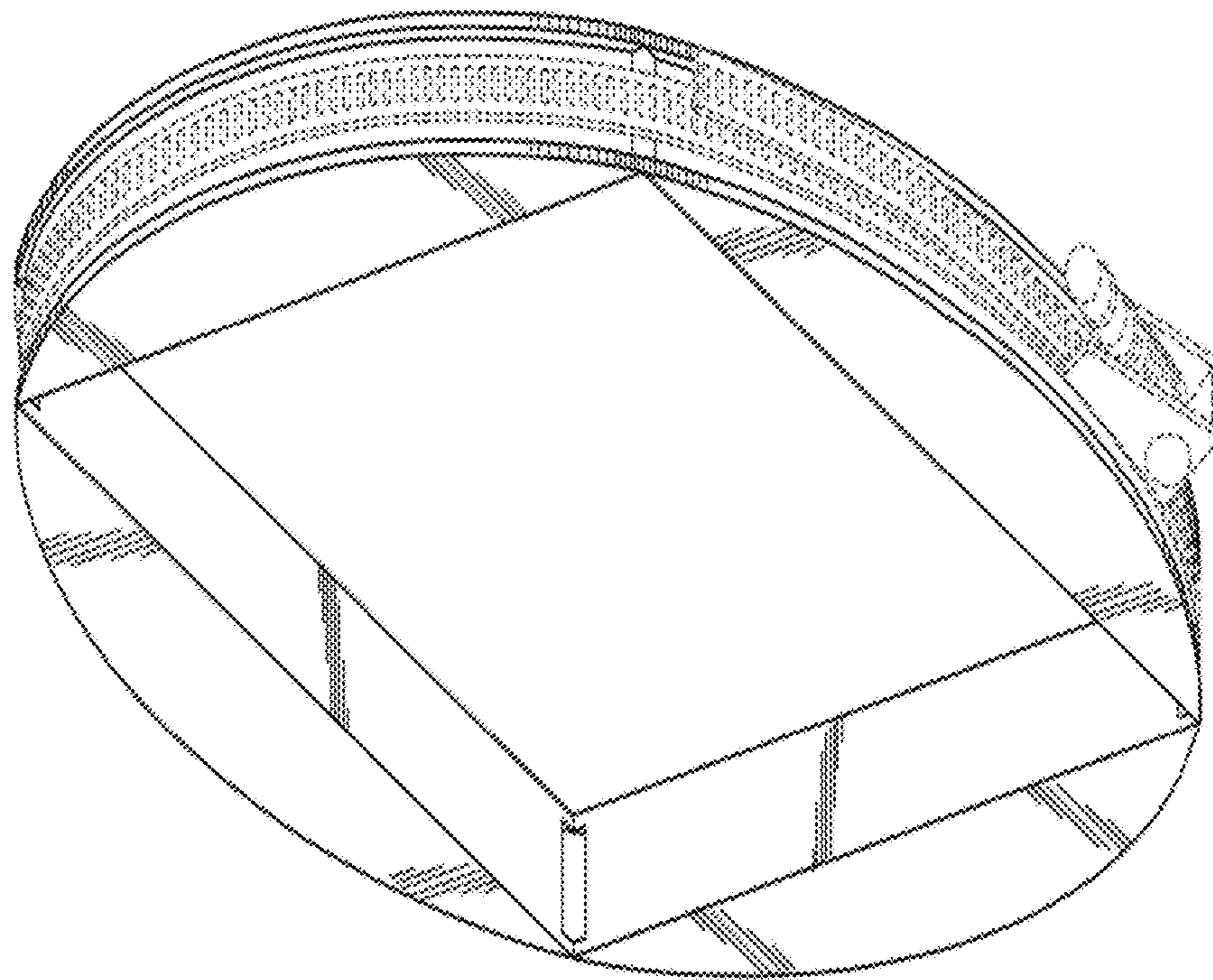


Fig. 11

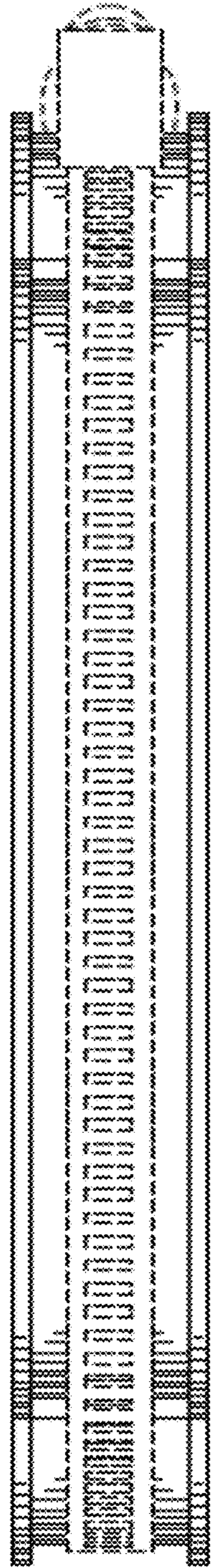


Fig. 12

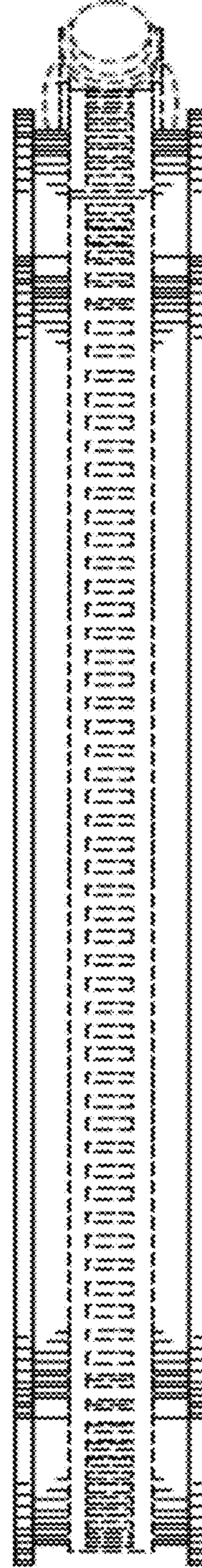


Fig. 13

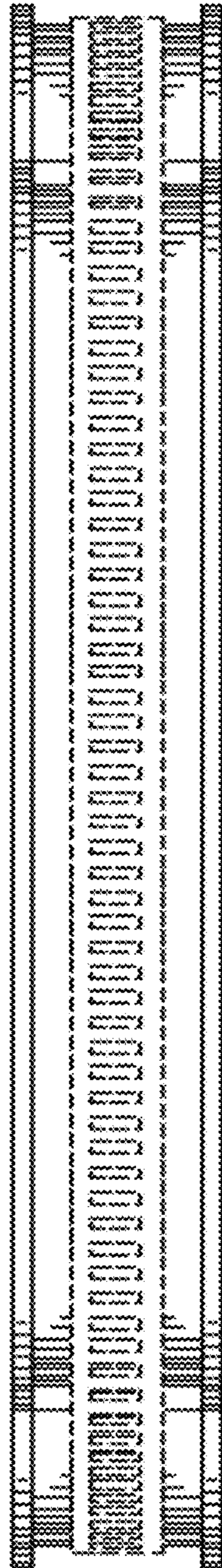


Fig. 14

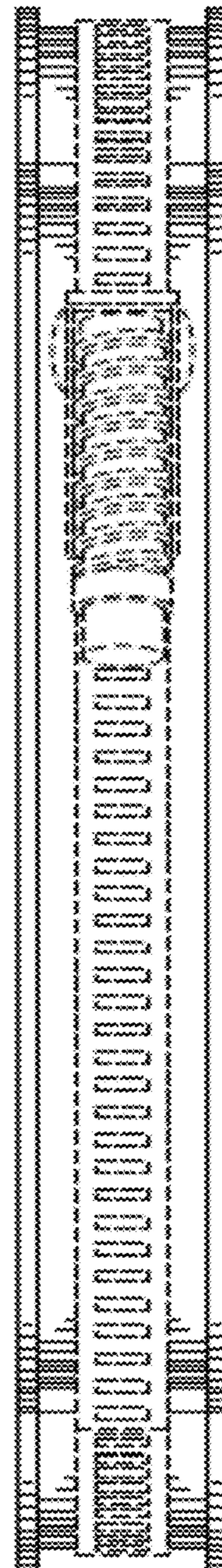


Fig. 15

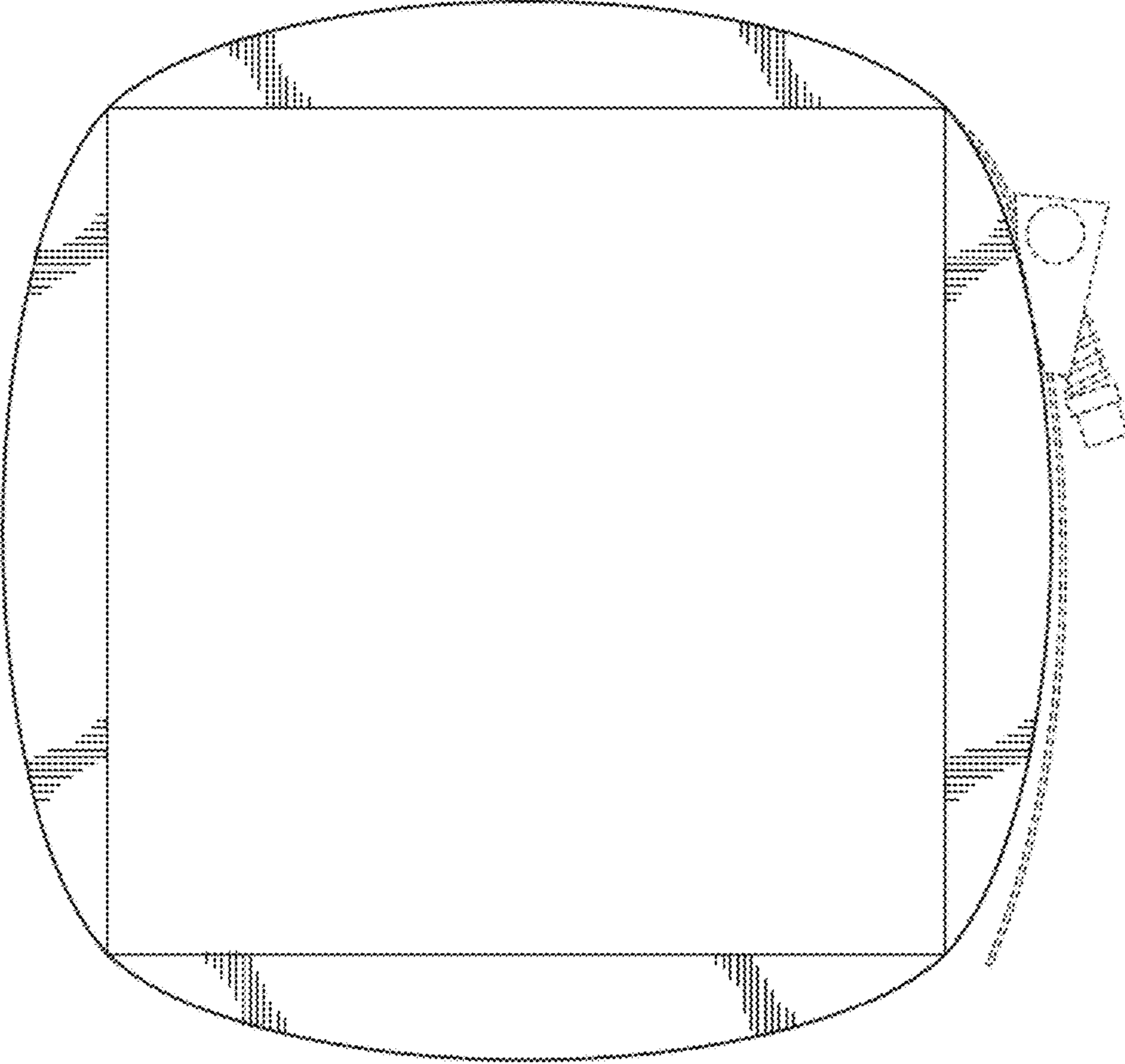


Fig. 16

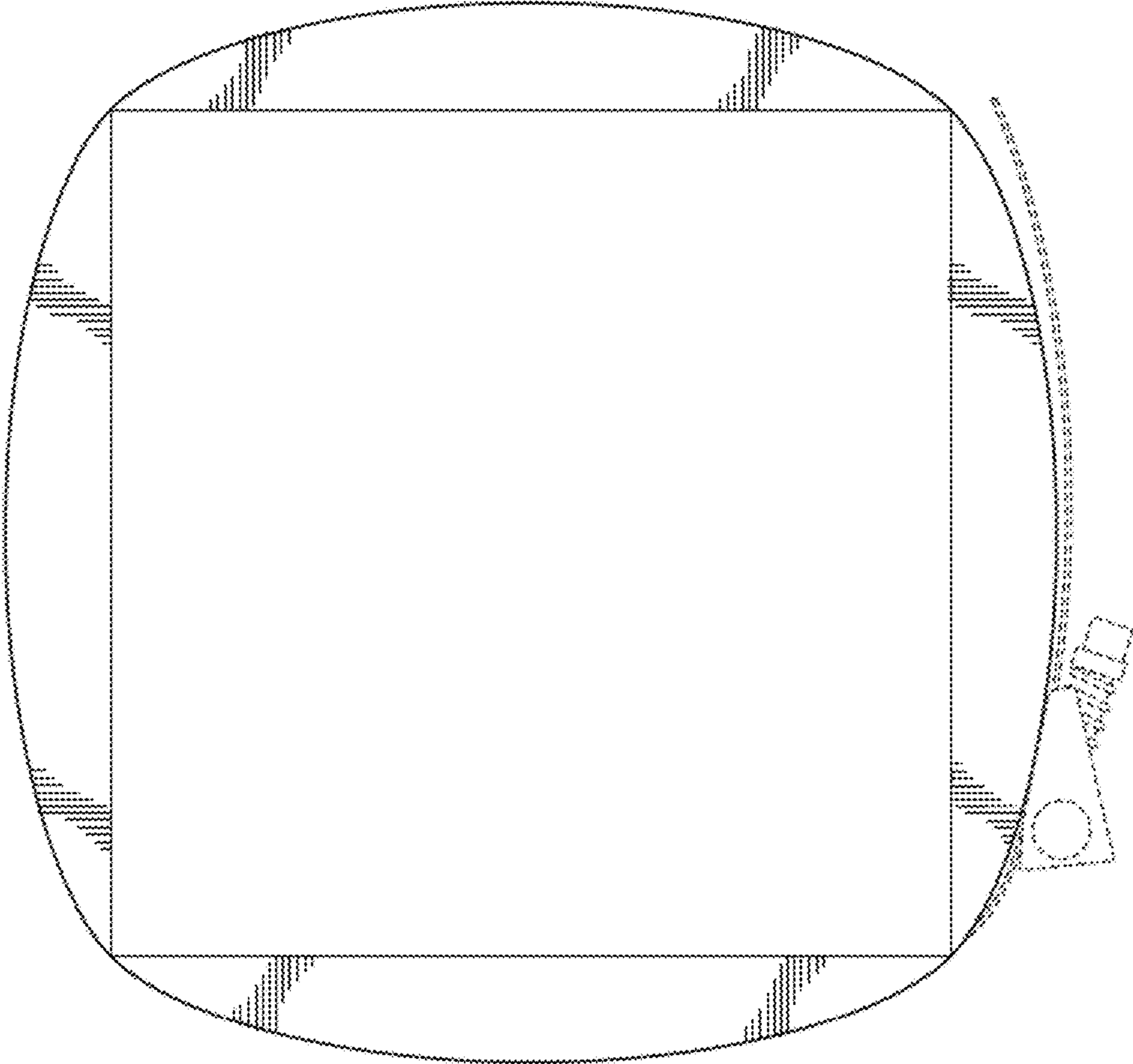


Fig. 17

