



US00D868570S

(12) **United States Design Patent** (10) **Patent No.:** **US D868,570 S**
Heindl (45) **Date of Patent:** **** *Dec. 3, 2019**

(54) **SHEET PILE CONNECTOR** 6,000,883 A * 12/1999 Irvine E02D 5/02
405/274

(71) Applicant: **Richard Heindl**, Gräfelfing (DE) D543,841 S * 6/2007 Heindl D8/382
D618,991 S * 7/2010 Heindl D8/382

(72) Inventor: **Richard Heindl**, Gräfelfing (DE) D621,248 S * 8/2010 Heindl D8/382
D621,252 S * 8/2010 Heindl D8/382
D643,132 S * 8/2011 MacKenzie D25/126
D665,658 S * 8/2012 Heindl D8/382
D665,660 S * 8/2012 Heindl D8/382
D681,428 S * 5/2013 Heindl D8/382
D832,088 S * 10/2018 Heindl D8/382
D832,089 S * 10/2018 Heindl D8/382
D832,687 S * 11/2018 Heindl D8/382
D832,688 S * 11/2018 Heindl D8/382

(*) Notice: This patent is subject to a terminal disclaimer. 2005/0163575 A1 * 7/2005 Dagher E02D 5/02
405/274

(**) Term: **15 Years** 2008/0145153 A1 * 6/2008 Wendt E02B 3/108
405/274

(21) Appl. No.: **29/650,671**

(22) Filed: **Jun. 8, 2018**

(30) **Foreign Application Priority Data**

Dec. 8, 2017 (EM) 004540722-0007

(51) **LOC (12) Cl.** **08-08**

(52) **U.S. Cl.**
USPC **D8/382**

(58) **Field of Classification Search**
USPC D8/382, 394, 395; D25/119
CPC E02D 5/02; E02D 5/04; E02D 5/06; E02D
5/08; E02D 5/12; Y10T 403/73
See application file for complete search history.

(56) **References Cited**

U.S. PATENT DOCUMENTS

1,837,787 A * 12/1931 Meiser E02D 5/08
29/897.3

1,862,426 A * 6/1932 Prielipp E02D 5/04
405/279

2,128,740 A * 8/1938 Dougherty E02D 5/08
405/281

2,332,812 A * 10/1943 Rieger E02D 5/08
405/281

D242,035 S * 10/1976 Drawsky D25/119

* cited by examiner

Primary Examiner — Sandra S Snapp
Assistant Examiner — Ieisha N Price
(74) *Attorney, Agent, or Firm* — Meunier Carlin & Curfman LLC

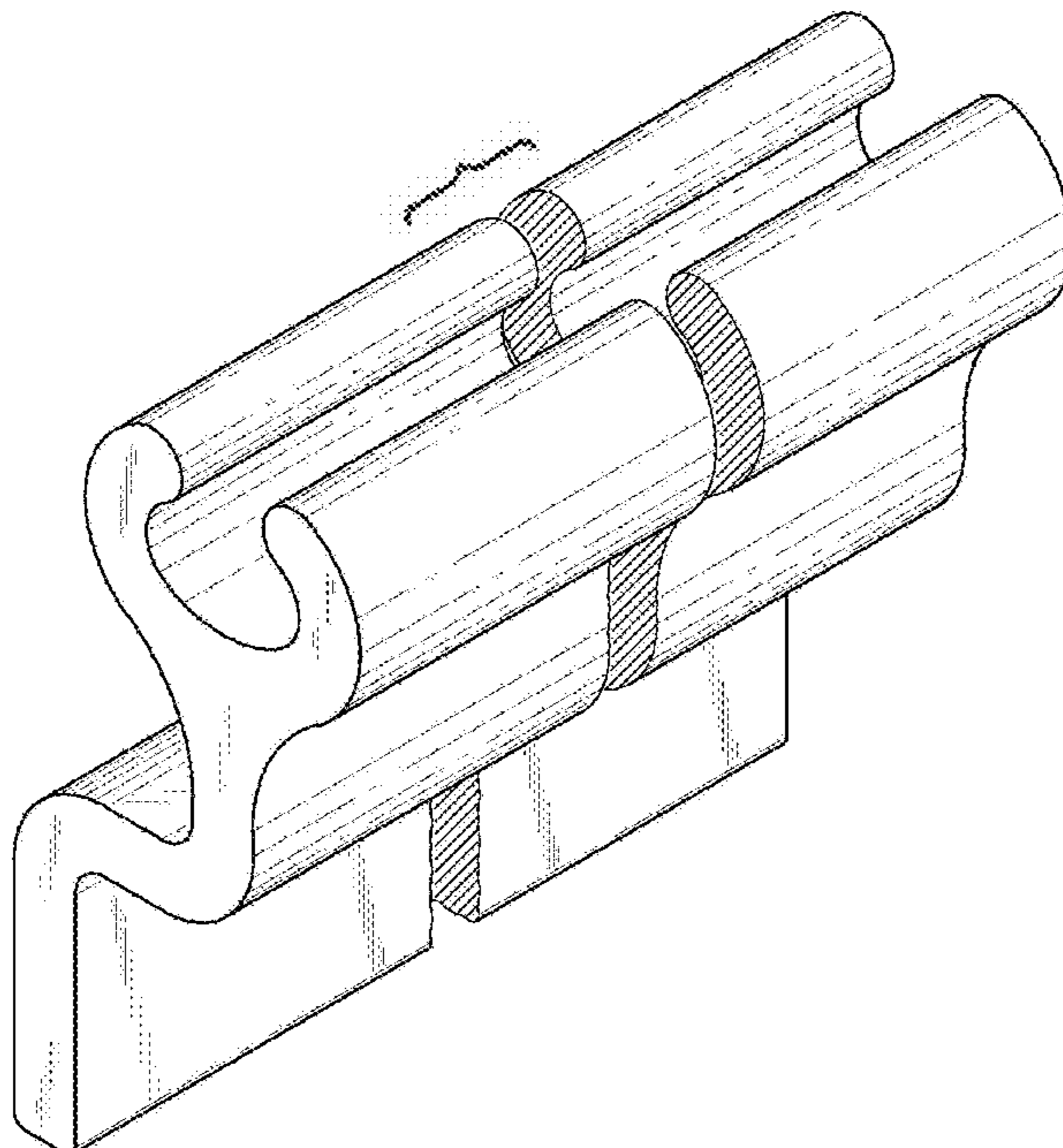
(57) **CLAIM**

The ornamental design for a sheet pile connector, as shown and described.

DESCRIPTION

FIG. 1 illustrates a front perspective view of my design; and, FIG. 2 illustrates a side view of the design shown in FIG. 1. The appearance of any portion of the article between the break lines shown in FIG. 1 forms no part of the claimed design.

1 Claim, 2 Drawing Sheets



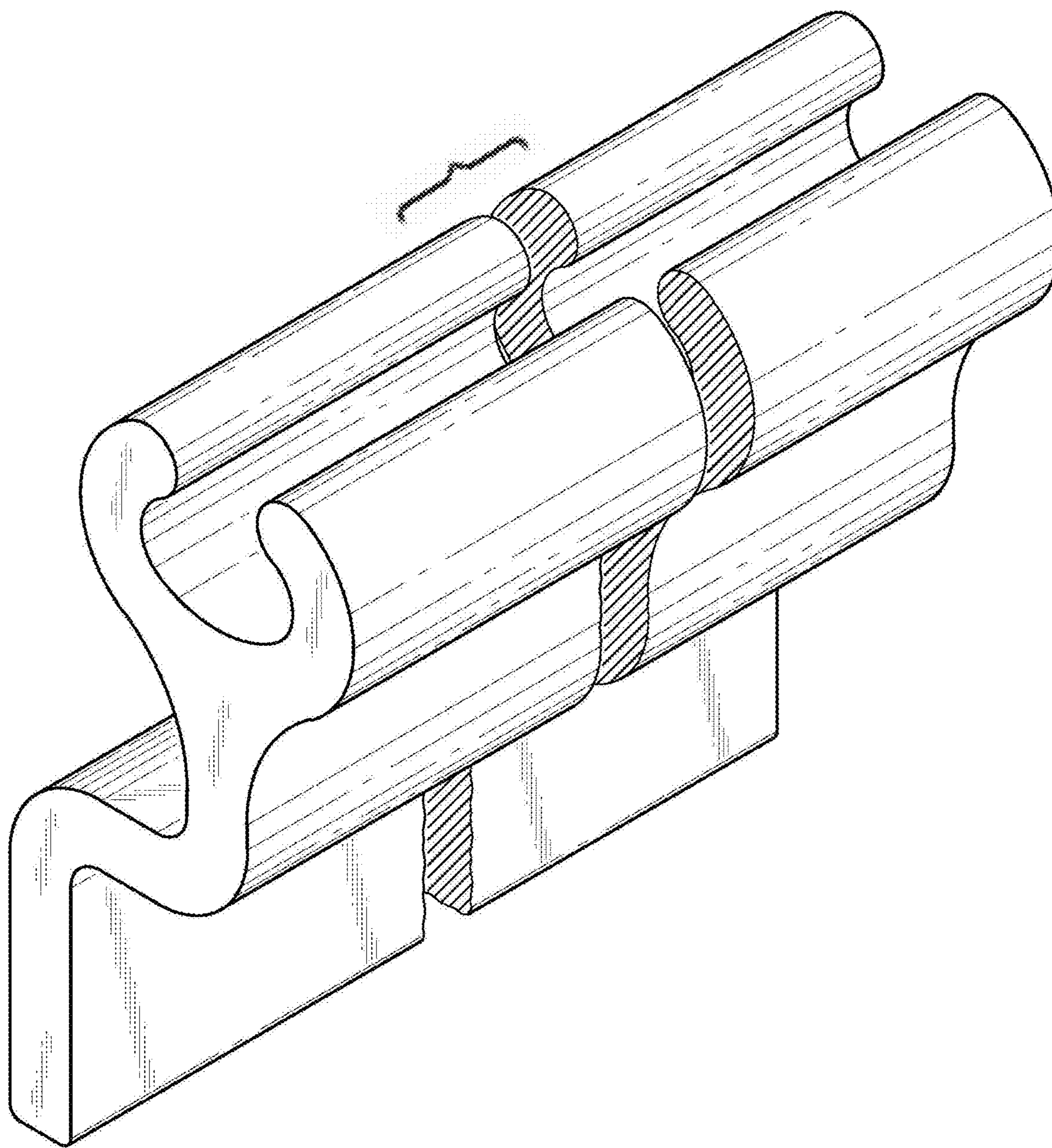


FIG. 1

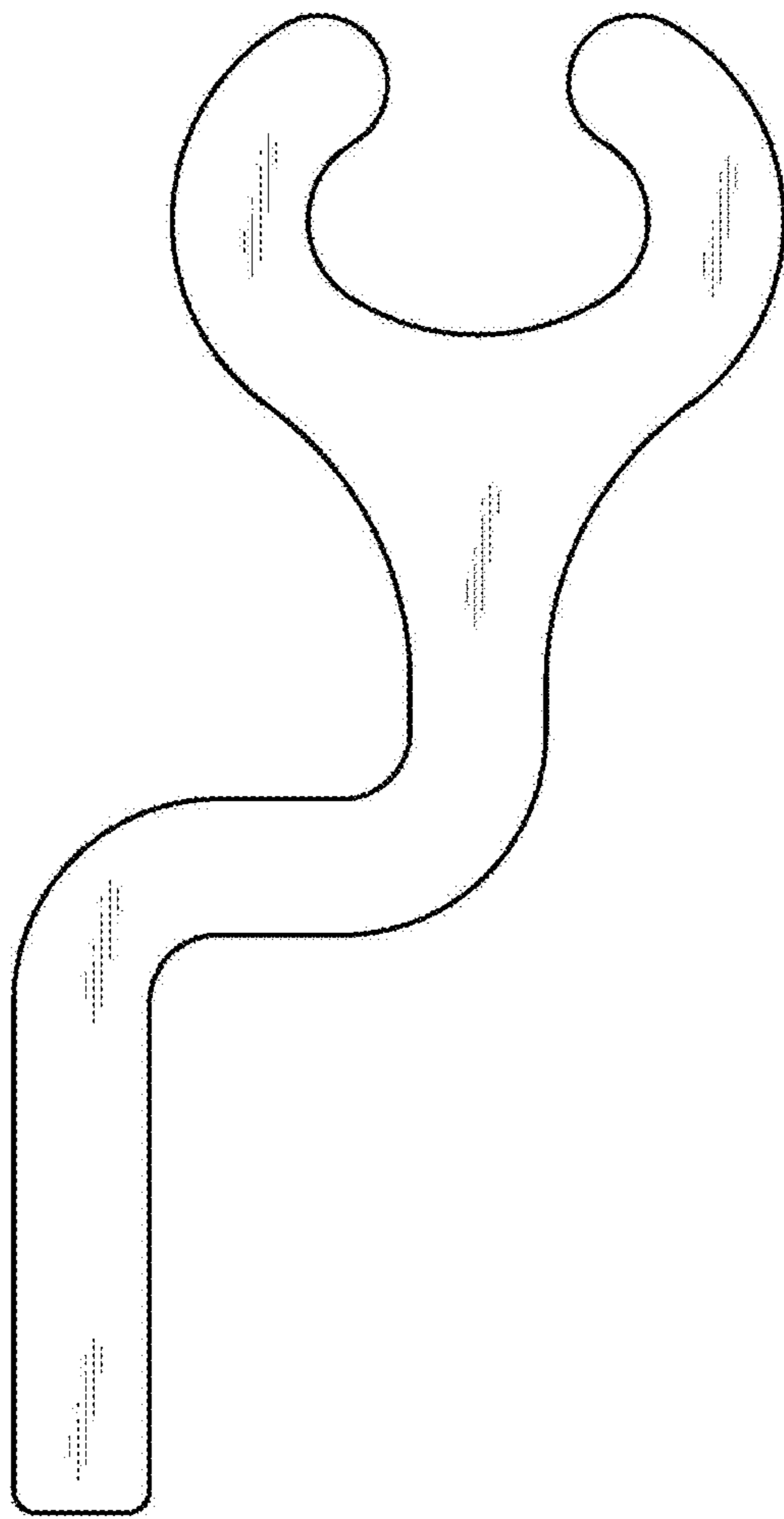


FIG. 2