



US00D868569S

(12) **United States Design Patent** (10) **Patent No.:** **US D868,569 S**  
**Schroeder et al.** (45) **Date of Patent:** **\*\* Dec. 3, 2019**

- (54) **EQUIPMENT MOUNTING PLATE**
- (71) Applicant: **Ferno-Washington, Inc.**, Wilmington, OH (US)
- (72) Inventors: **Timothy Paul Schroeder**, Mason, OH (US); **James C. West, III**, Midland, OH (US); **Peter Smolan**, Trencin (SK)
- (73) Assignee: **Ferno-Washington, Inc.**, Wilmington, OH (US)
- (\*\*) Term: **15 Years**
- (21) Appl. No.: **29/666,974**
- (22) Filed: **Oct. 17, 2018**

1,055,050 A 3/1913 Knape  
 1,055,201 A \* 3/1913 Mason ..... A47B 57/567  
 248/244  
 1,178,360 A 4/1916 Tudor  
 (Continued)

**FOREIGN PATENT DOCUMENTS**

CH 432266 A 3/1967  
 DE 2000967 B 7/1971  
 (Continued)

**OTHER PUBLICATIONS**

Extended European Search Report pertaining to European Patent Application No. 18189787.7 dated Oct. 22, 2018.  
 (Continued)

*Primary Examiner* — Janice Hallmark  
*Assistant Examiner* — Harold E Blackwell, II  
 (74) *Attorney, Agent, or Firm* — Dinsmore & Shohl, LLP

(57) **CLAIM**

The ornamental design for an equipment mounting plate, as shown and described.

**DESCRIPTION**

FIG. 1 is a top perspective view of an equipment mounting plate illustrating our new design;  
 FIG. 2 is a top view thereof;  
 FIG. 3 is a bottom view thereof;  
 FIG. 4 is a side view and the opposite side being the same;  
 and,  
 FIG. 5 is an enlarged detail front view and the back view being the same.

The dash-dash broken lines, where present, in the figures depict portions of the equipment mounting plate that represent the environment of the claimed design and form no part of the claimed design. The dash-dot-dash boundary lines, where present, in the figures depict boundaries of the equipment mounting plate and form no part of the claimed design.

**1 Claim, 5 Drawing Sheets**

**Related U.S. Application Data**

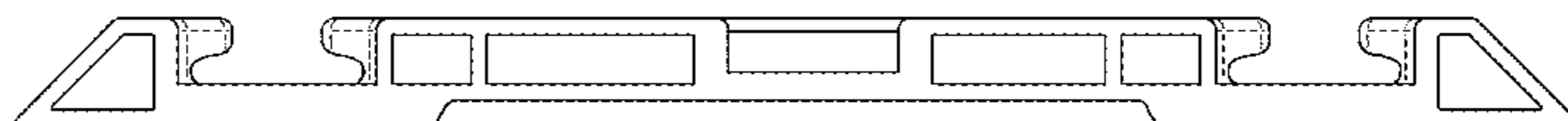
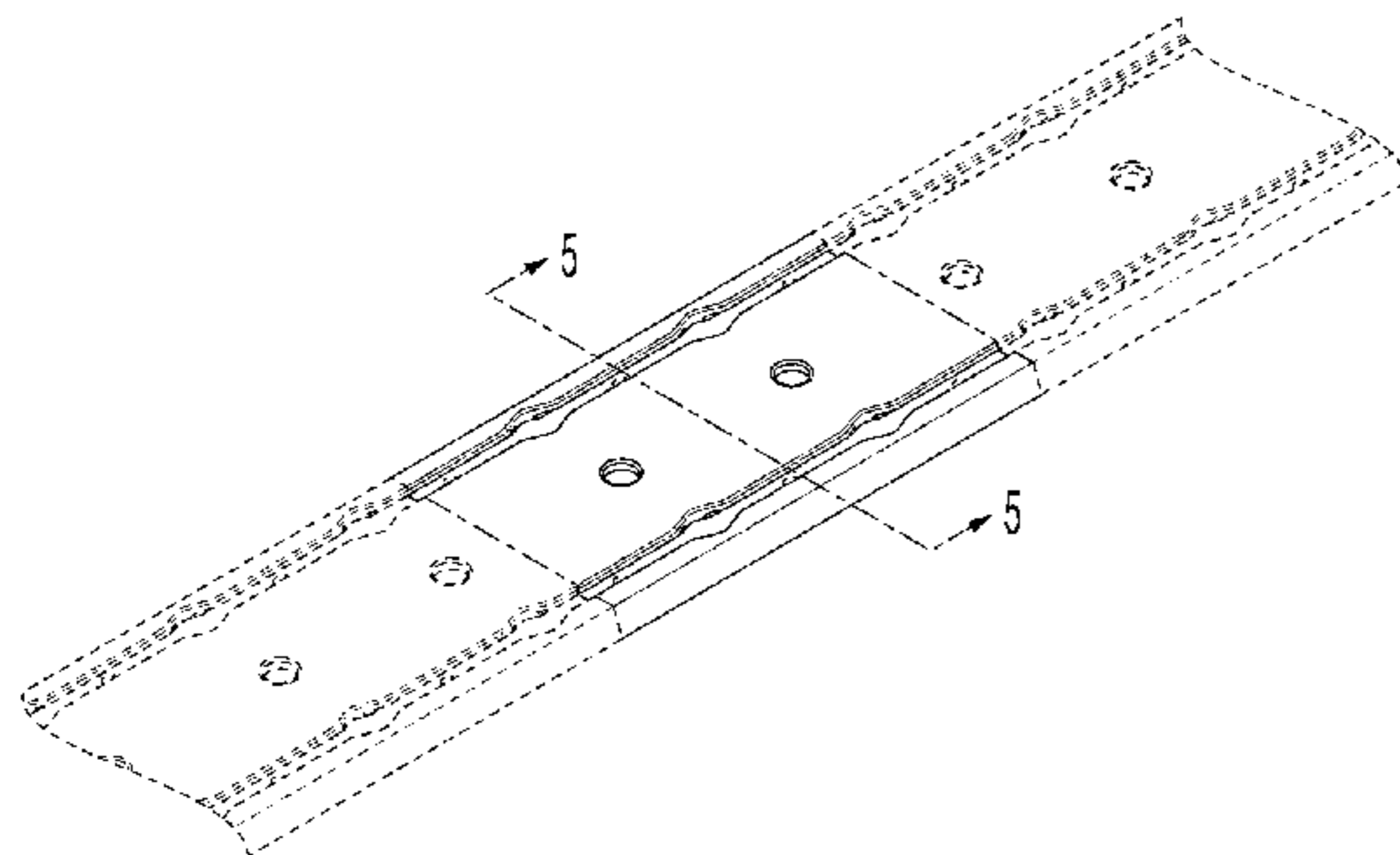
(63) Continuation of application No. 29/630,337, filed on Dec. 20, 2017, now Pat. No. Des. 835,499, which is a continuation of application No. 14/455,471, filed on Aug. 8, 2014, now Pat. No. 9,944,217, which is a continuation-in-part of application No. PCT/US2014/015898, filed on Feb. 11, 2014.

- (51) **LOC (12) Cl.** ..... **08-05**
- (52) **U.S. Cl.**  
USPC ..... **D8/381**
- (58) **Field of Classification Search**  
USPC ..... 211/125, 187, 90.02, 90.03, 90.04;  
D8/354, 373, 381  
CPC ..... A47B 57/42; A47B 96/067  
See application file for complete search history.

(56) **References Cited**

**U.S. PATENT DOCUMENTS**

269,985 A 1/1883 Adgate  
 619,174 A 2/1899 Haskins  
 716,852 A 12/1902 Baker



(56)

References Cited

U.S. PATENT DOCUMENTS

1,263,918 A	4/1918	Miller	5,988,409 A	11/1999	Gusdorf et al.
1,288,010 A	12/1918	Isaac	6,000,509 A	12/1999	Chisholm
1,576,034 A	3/1926	Butt	6,157,350 A	12/2000	House et al.
1,702,937 A	2/1929	Friedemann	6,241,109 B1	6/2001	Kautz et al.
1,817,962 A	8/1931	Breuer	6,244,400 B1	6/2001	Bowers
2,391,051 A	12/1945	Windsor	6,273,366 B1	8/2001	Sprenger et al.
2,456,024 A	12/1948	Schofield	6,296,094 B1	10/2001	Knecht
2,473,364 A	6/1949	Dickinson et al.	6,367,603 B1	4/2002	Tiramani et al.
2,480,322 A	8/1949	Cozzoli	6,585,188 B2	7/2003	Alli
2,556,076 A	6/1951	Evans et al.	6,595,379 B1	7/2003	Powell
2,644,591 A	7/1953	McMahan	6,618,018 B1	9/2003	Sylvester et al.
2,685,912 A	8/1954	Evans et al.	6,726,075 B1	4/2004	Patel et al.
2,688,504 A	9/1954	Parker	6,746,138 B1	6/2004	Neeld et al.
3,042,221 A	7/1962	Rasmussen	6,762,727 B2	7/2004	Rochford et al.
3,116,773 A	1/1964	Kikas	6,789,714 B1	9/2004	Benson et al.
3,204,998 A	9/1965	Stollenwerk	6,945,414 B1	9/2005	Stevens et al.
3,358,300 A	12/1967	Smtih	7,000,810 B1	2/2006	Farmer
3,375,936 A	4/1968	Kessler	7,048,242 B2	5/2006	Oddsens, Jr.
3,392,848 A	7/1968	McConnell et al.	7,097,204 B2	8/2006	Jessup et al.
3,451,580 A	6/1969	Husby	7,234,619 B2	6/2007	Hicks et al.
3,480,265 A	11/1969	Deve	7,328,926 B1	2/2008	Myers et al.
3,591,121 A	7/1971	Parris	7,502,226 B2	3/2009	Searby et al.
3,605,637 A	9/1971	Prete, Jr.	7,507,005 B1	3/2009	Mier-Langner
3,606,619 A	9/1971	Stollenwerk	7,600,619 B2	10/2009	Sapyta
3,613,900 A	10/1971	Chiu	7,654,834 B1	2/2010	Mier-Langner et al.
3,718,886 A	2/1973	Hoffmeister	7,669,945 B2	3/2010	Blersch et al.
3,770,234 A	11/1973	Fovall	7,677,400 B2	3/2010	Bayazit et al.
3,840,265 A	10/1974	Stirling et al.	7,798,323 B1	9/2010	McCann et al.
3,846,944 A	11/1974	Lambert	7,946,771 B2	5/2011	Boneschanscher et al.
D235,181 S	5/1975	Brown	7,984,889 B2	7/2011	Whitley et al.
3,973,818 A	8/1976	Soquenne	8,167,131 B1	5/2012	Anderson
4,114,947 A	9/1978	Nelson	8,172,077 B1	5/2012	Gray
4,170,335 A	10/1979	King	8,276,795 B1	10/2012	Dean et al.
4,173,382 A	11/1979	Booty	8,387,783 B2	3/2013	Zack et al.
4,178,032 A	12/1979	Hone	8,505,794 B2	8/2013	Ardigo
4,190,377 A	2/1980	Pleuss	8,636,154 B2	1/2014	Chinn
4,210,355 A	7/1980	Legueu	8,701,952 B1	4/2014	Tripp
D257,195 S	10/1980	Swett et al.	8,807,376 B1	8/2014	Mastors et al.
4,230,432 A	10/1980	Howell	8,864,004 B2	10/2014	Crawford et al.
D257,709 S	12/1980	Lewis	8,992,238 B2	3/2015	Chinn
4,256,424 A	3/1981	Knox et al.	9,078,501 B2	7/2015	Johnson
D259,080 S	5/1981	Conti	9,282,794 B2	3/2016	Farrelly
4,386,642 A	6/1983	Durbin	9,379,504 B2	6/2016	Chinn
4,397,432 A	8/1983	Resetar	9,611,975 B2	4/2017	Chinn et al.
4,423,817 A	1/1984	Monjo-Rufi	9,789,416 B2 *	10/2017	Fiebig ..... A63H 18/02
4,425,978 A	1/1984	Star	9,861,178 B1	1/2018	Vanman et al.
4,458,864 A	7/1984	Colombo et al.	9,944,217 B2	4/2018	Schroeder et al.
4,513,866 A	4/1985	Thomas	D825,952 S *	8/2018	Garcia ..... D6/566
4,568,050 A	2/1986	Radoy et al.	10,072,788 B2	9/2018	Chinn et al.
4,576,319 A	3/1986	Brown	D835,499 S *	12/2018	Schroeder ..... B60P 7/0815 D8/381
4,602,756 A	7/1986	Chatfield	2003/0143052 A1	7/2003	Fehrle et al.
4,677,794 A	7/1987	Parron et al.	2004/0178309 A1	9/2004	Crowley et al.
4,763,360 A	8/1988	Daniels et al.	2004/0253856 A1	12/2004	Hoffmann
4,783,034 A	11/1988	Ostrander et al.	2005/0039644 A1	2/2005	Sheahan et al.
4,853,555 A	8/1989	Wheat	2005/0232519 A1	10/2005	Grimes
4,915,435 A	4/1990	Levine	2006/0243766 A1	11/2006	Lan
4,974,377 A	12/1990	Dominitz et al.	2006/0255221 A1	11/2006	Tseng
5,007,608 A	4/1991	Carroll, Jr.	2007/0056921 A1	3/2007	Lo
5,157,409 A	10/1992	Hamin	2007/0097617 A1	5/2007	Searby et al.
5,207,303 A	5/1993	Oswalt et al.	2008/0023976 A1	1/2008	Myers et al.
5,383,629 A	1/1995	Morgan	2008/0121730 A1	5/2008	Calkin
5,425,520 A	6/1995	Masumoto	2008/0169739 A1	7/2008	Goldenberg
5,490,703 A	2/1996	Hewko	2008/0302553 A1	12/2008	Ross et al.
5,615,848 A	4/1997	Ceriani	2009/0014584 A1	1/2009	Rudduck et al.
5,732,867 A	3/1998	Perkins et al.	2009/0014602 A1	1/2009	Frost
5,732,965 A	3/1998	Wiley	2009/0140112 A1	6/2009	Carnevali
5,738,306 A	4/1998	Moss et al.	2009/0165208 A1	7/2009	Reed et al.
5,755,478 A	5/1998	Kamiya et al.	2010/0307649 A1	12/2010	Santos Dominguez
5,779,296 A	7/1998	Hewko	2011/0147428 A1	6/2011	Crawford et al.
5,785,277 A	7/1998	Manning et al.	2012/0006873 A1	1/2012	Chinn
5,815,629 A	9/1998	Finzel et al.	2012/0126075 A1	5/2012	Chinn et al.
5,833,095 A	11/1998	Russell et al.	2013/0081233 A1	4/2013	Lu
5,850,891 A	12/1998	Olms et al.	2013/0193179 A1	8/2013	Davidson
5,865,314 A	2/1999	Jacober	2014/0016503 A1	1/2014	Altekar et al.
5,886,674 A	3/1999	Yoshimi	2014/0073676 A1	3/2014	Kambe et al.
			2014/0226315 A1	8/2014	Nicieja et al.
			2014/0227892 A1	8/2014	Chinn
			2014/0263502 A1	9/2014	Byham



(56)

**References Cited**

U.S. PATENT DOCUMENTS

2014/0374564 A1 12/2014 Schroeder et al.  
 2015/0344089 A1 12/2015 Bopanna et al.  
 2016/0031382 A1 2/2016 Chinn et al.  
 2017/0020249 A1 1/2017 Schroeder et al.  
 2017/0021775 A1 1/2017 Spector et al.  
 2017/0158145 A1 6/2017 Chinn et al.  
 2017/0202330 A1 7/2017 Schroeder et al.  
 2017/0209318 A1 7/2017 Schroeder et al.  
 2018/0073676 A1 3/2018 Schroeder et al.

FOREIGN PATENT DOCUMENTS

DE 3209091 A1 9/1983  
 DE 3209092 A1 9/1983  
 DE 3230905 A1 2/1984  
 DE 8910460 U1 12/1989  
 DE 19716046 A1 10/1998  
 DE 202006020143 U1 1/2008  
 DE 102009039471 A1 3/2011  
 DE 102010024544 A1 12/2011  
 EP 105675 A2 4/1984  
 EP 260726 A2 3/1988  
 EP 583491 A1 2/1994  
 EP 583492 A1 2/1994  
 EP 972616 A2 1/2000

EP 1790521 A1 5/2007  
 EP 1863119 A1 12/2007  
 EP 2206623 A1 7/2010  
 EP 2451418 B1 5/2013  
 EP 2614804 A1 7/2013  
 EP 2614805 A1 7/2013  
 FR 1085340 A 1/1955  
 FR 2481110 A1 10/1981  
 FR 2647323 A1 11/1990  
 FR 2649007 A1 1/1991  
 GB 1530794 A 11/1978  
 GB 2401541 A 11/2004  
 GB 2452083 A 2/2009  
 WO 9115178 A1 10/1991  
 WO 9927881 A1 6/1999  
 WO 0059466 A1 10/2000  
 WO 2006122351 A1 11/2006  
 WO 2011006163 A3 12/2011

OTHER PUBLICATIONS

Non-final Office Action dated Nov. 1, 2018 pertaining to U.S. Appl. No. 15/326,847.  
 Non-final Office Action dated Oct. 5, 2018 pertaining to U.S. Appl. No. 16/057,390.  
 Non-final Office Action dated Nov. 1, 2018 pertaining to U.S. Appl. No. 15/283,975.

\* cited by examiner

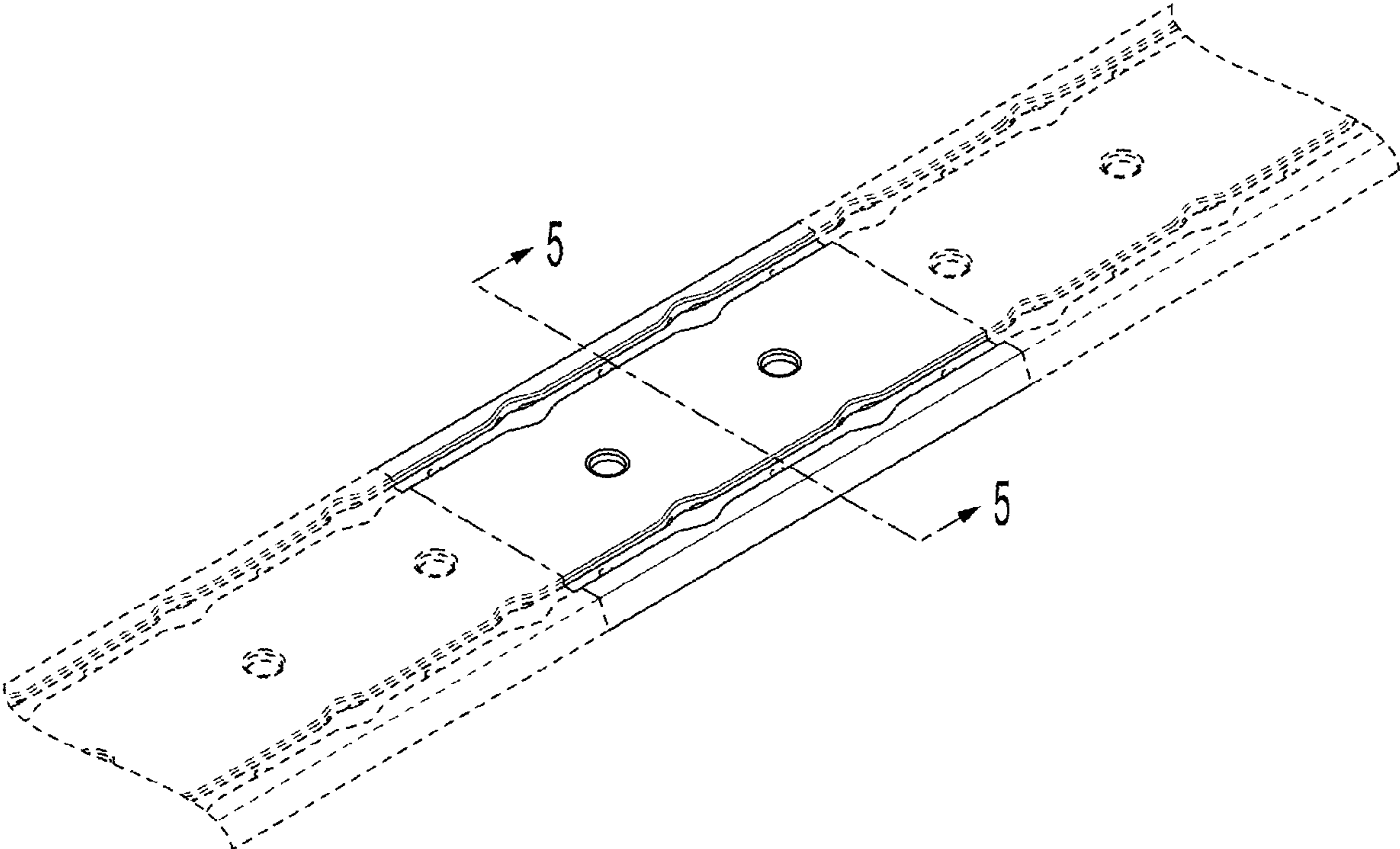


FIG. 1

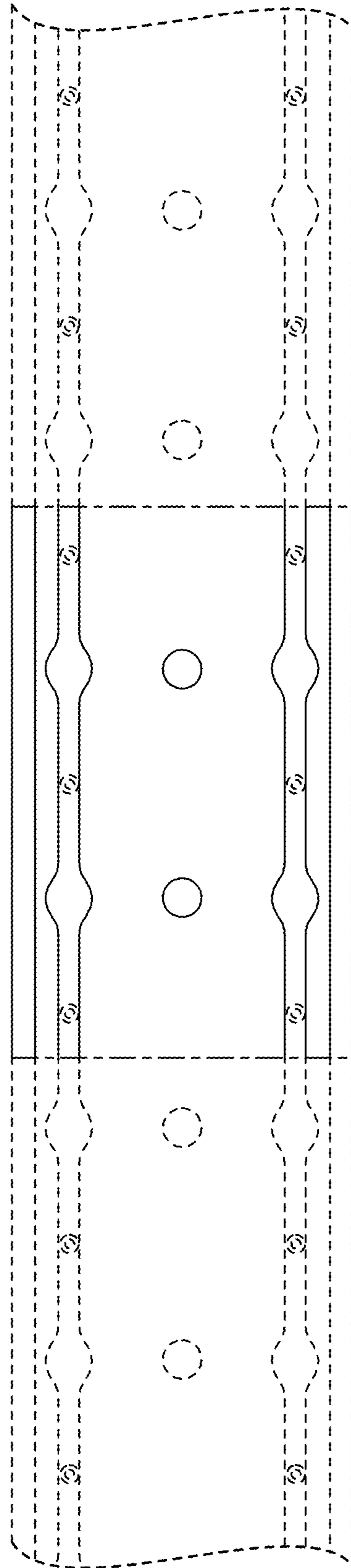


FIG. 2

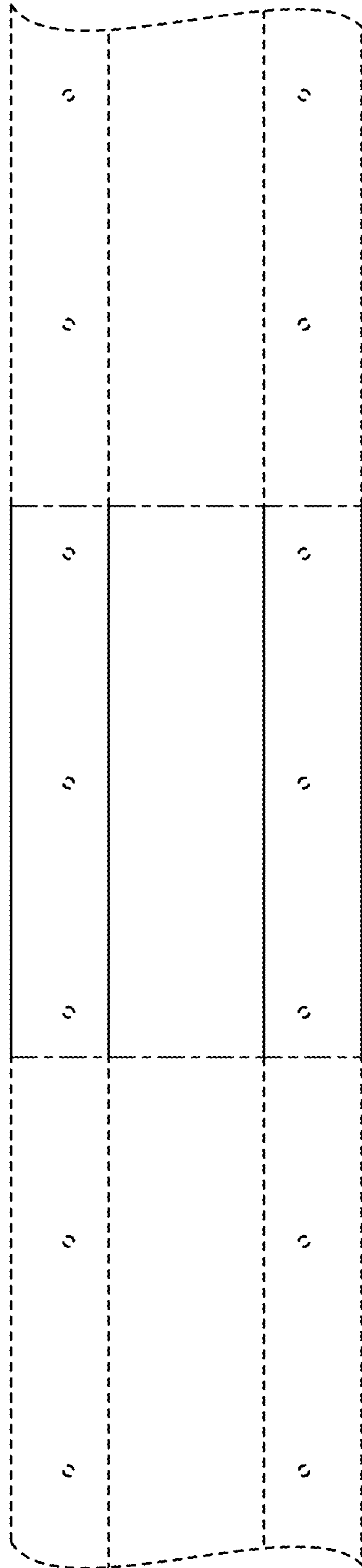


FIG. 3



FIG. 4

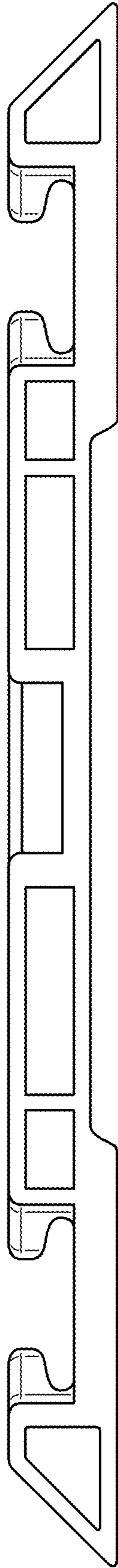


FIG. 5