



US00D868567S

(12) **United States Design Patent**
Sakuma

(10) **Patent No.:** **US D868,567 S**

(45) **Date of Patent:** **** Dec. 3, 2019**

(54) **HANGER FOR SMALL ARTICLES**

(71) Applicant: **SUGATSUNE KOGYO CO., LTD.**,
Chiyoda-ku, Tokyo (JP)

(72) Inventor: **Yuuko Sakuma**, Chiyoda-ku (JP)

(73) Assignee: **SUGATSUNE KOGYO CO., LTD.**,
Tokyo (JP)

(**) Term: **15 Years**

(21) Appl. No.: **29/616,521**

(22) Filed: **Sep. 6, 2017**

(30) **Foreign Application Priority Data**

Mar. 6, 2017 (JP) 2017-004564

(51) **LOC (12) Cl.** **08-05**

(52) **U.S. Cl.**
USPC **D8/367**

(58) **Field of Classification Search**

USPC D6/323; D8/367, 373, 355, 377, 380,
D8/381

CPC .. A47F 7/08; A47F 5/08; A47F 5/0846; A47F
5/10; A47B 61/04; A47B 96/061; A47B
47/022; A47B 96/027; A47B 96/028;
A47B 96/024; A47B 96/06

See application file for complete search history.

(56) **References Cited**

U.S. PATENT DOCUMENTS

5,971,684 A * 10/1999 Wang B60P 7/0807
410/107

8,011,633 B2 * 9/2011 Huang A47G 25/0635
248/292.13

D664,422 S * 7/2012 Wu D8/367

D817,749 S * 5/2018 Ryu D8/367

D842,081 S * 3/2019 Thompson D8/367

2004/0163223 A1 * 8/2004 Bivens B60R 7/10
24/582.1

2005/0061940 A1 * 3/2005 Brnjac A47G 25/065
248/317

2006/0071137 A1 * 4/2006 Livingstone A47G 25/0642
248/308

2014/0332575 A1 * 11/2014 Huelke B60R 7/10
224/553

(Continued)

Primary Examiner — Lauren R Calve

(74) *Attorney, Agent, or Firm* — Masuvalley & Partners

(57) **CLAIM**

The ornamental design for a hanger for small articles, as shown and described.

DESCRIPTION

FIG. 1 is a perspective view of a hanger for small articles according to the invention;

FIG. 2 is a front elevation view of the hanger for small articles of FIG. 1;

FIG. 3 is a rear elevation view of the hanger for small articles of FIG. 1;

FIG. 4 is a top plan view of the hanger for small articles of FIG. 1;

FIG. 5 is a bottom plan view of the hanger for small articles of FIG. 1;

FIG. 6 is a right side elevation view of the hanger for small articles of FIG. 1, the left side elevation view being a mirror image thereof

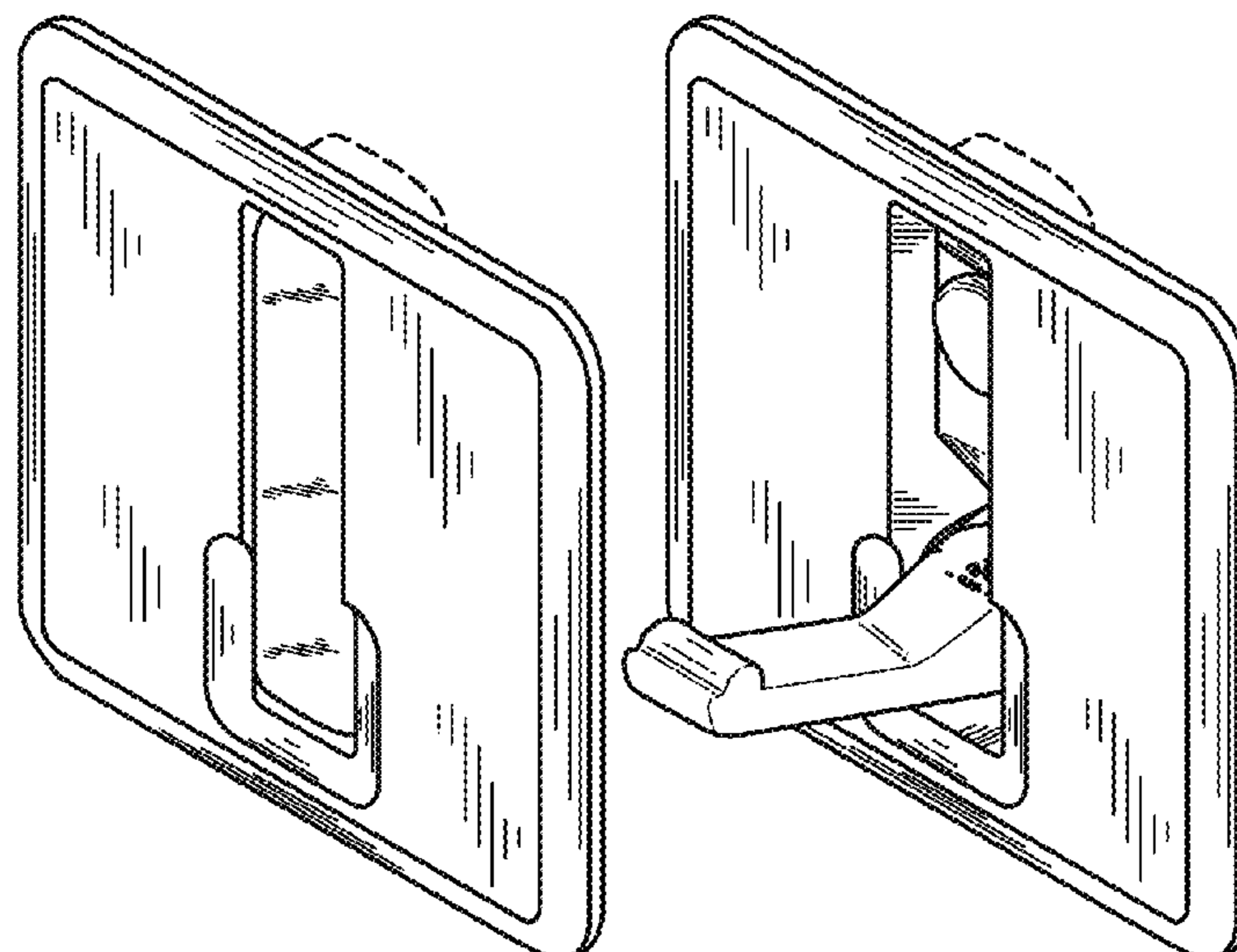
FIG. 7 is a perspective view of the hanger for small articles of FIG. 1, with the hanger extended;

FIG. 8 is a front elevation view of the hanger for small articles of FIG. 1, with the hanger extended; and,

FIG. 9 is a right side elevation view of the hanger for small articles of FIG. 1, with the hanger extended; the left side elevation view being a mirror image thereof.

The broken line showing of the hanger for small articles is for the purpose of illustrating portions of the hanger for small articles and forms no part of the claimed design.

1 Claim, 9 Drawing Sheets



(56)

References Cited

U.S. PATENT DOCUMENTS

2015/0325991 A1* 11/2015 Allen H02G 3/081
220/3.7
2016/0123529 A1* 5/2016 Ogawa F16M 13/022
248/222.52
2017/0001571 A1* 1/2017 Cho B60R 7/08
2017/0129412 A1* 5/2017 Lewis B60R 7/08
2017/0152988 A1* 6/2017 Tseng F16B 47/003
2018/0263197 A1* 9/2018 Clarke A01G 17/06
2018/0339661 A1* 11/2018 Sotome B60P 7/06
2019/0010971 A1* 1/2019 Osaki A47G 29/00

* cited by examiner

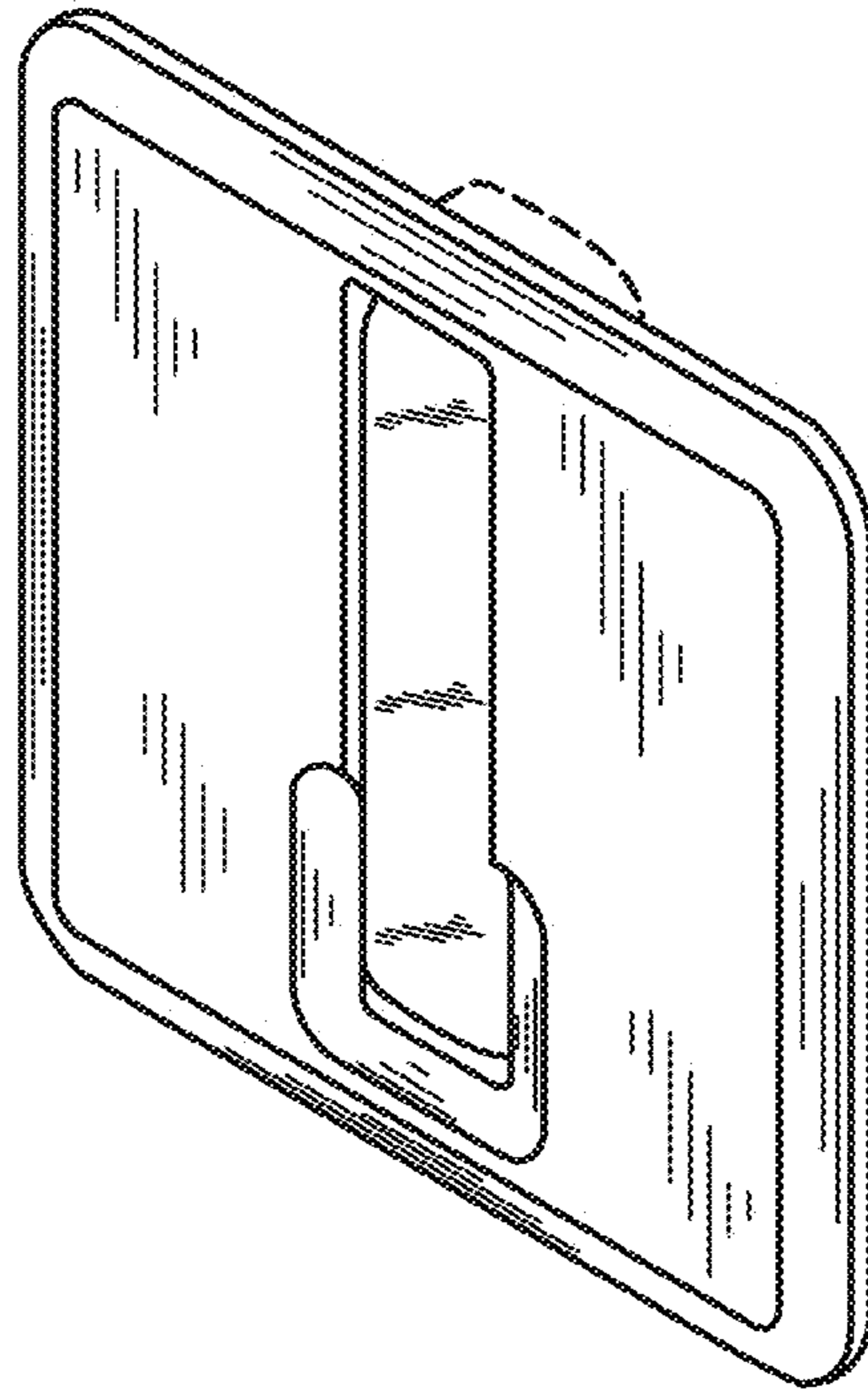


FIG.1

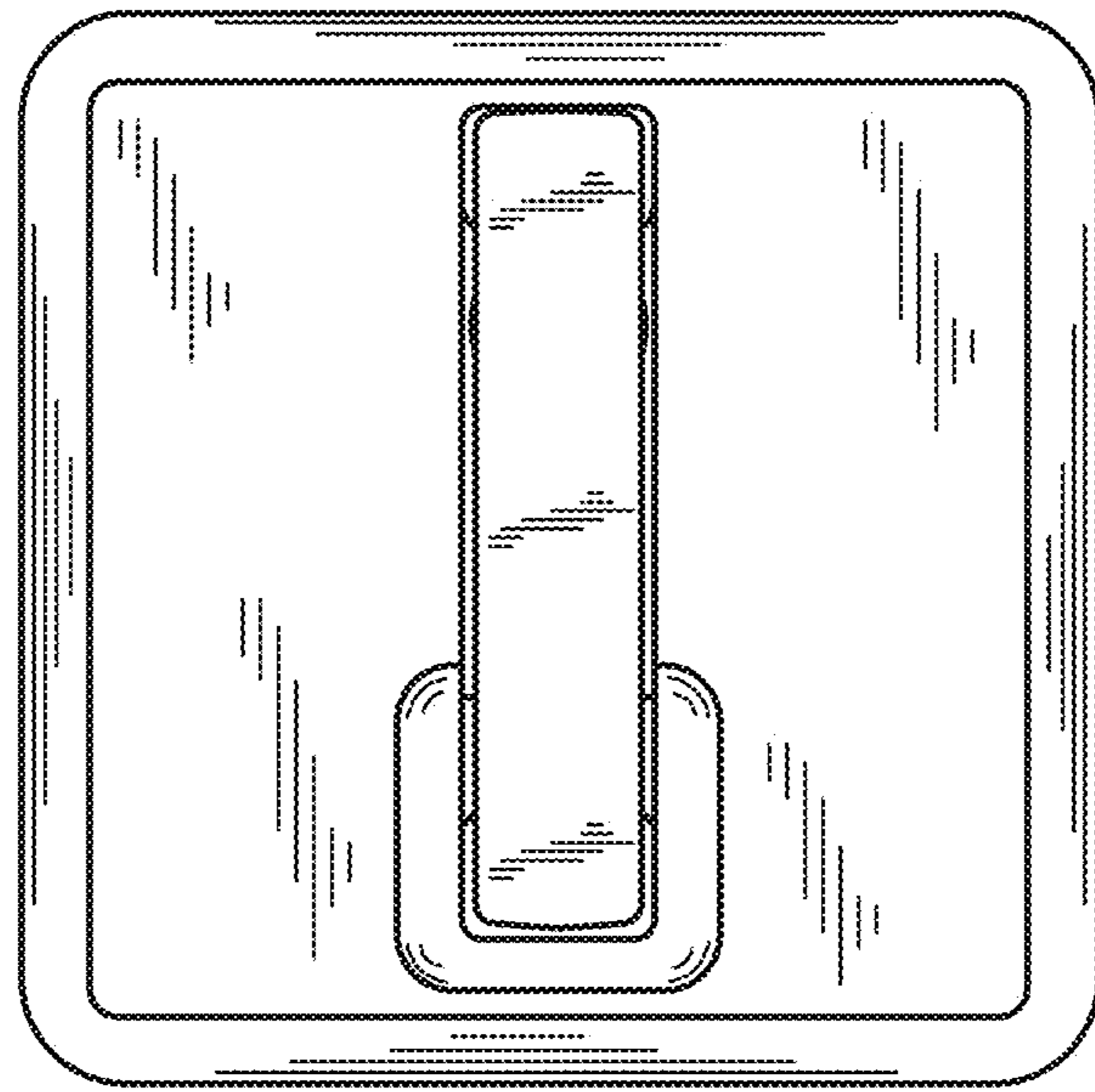


FIG.2

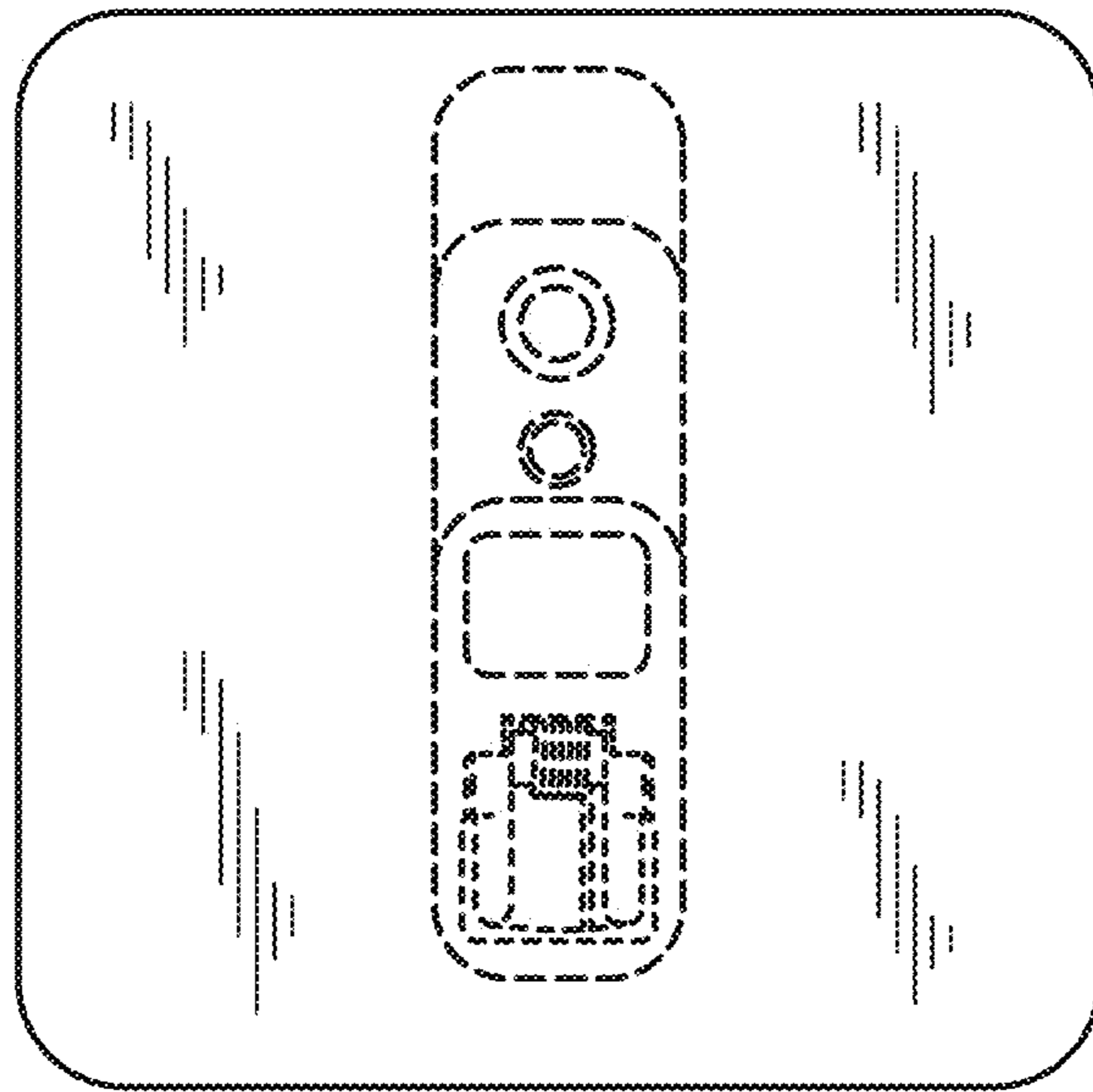


FIG.3

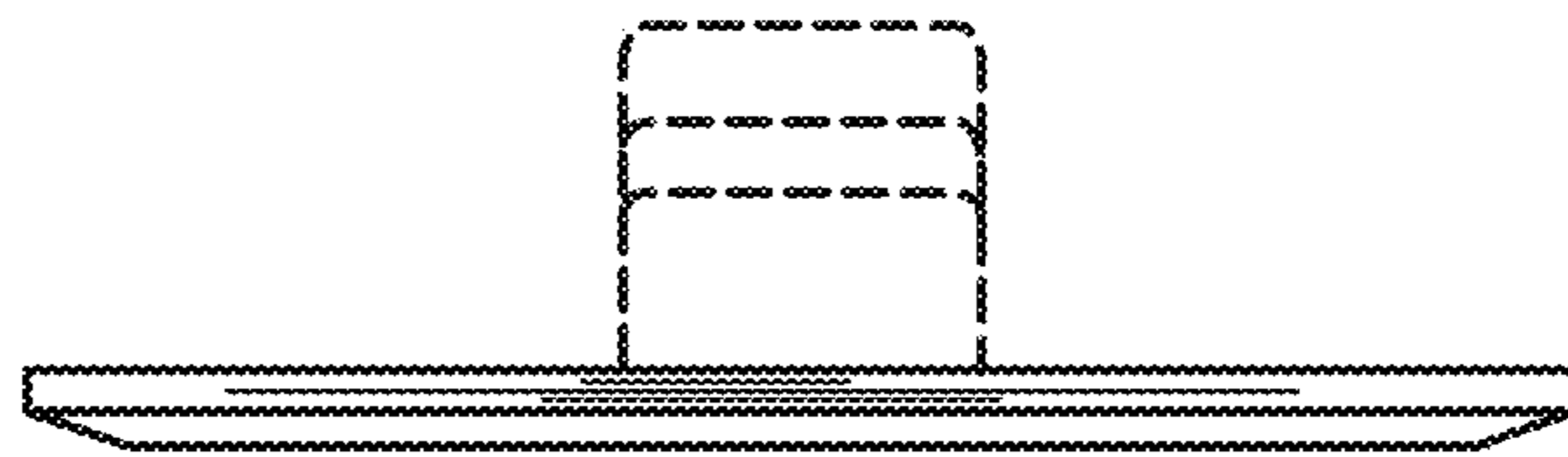


FIG.4

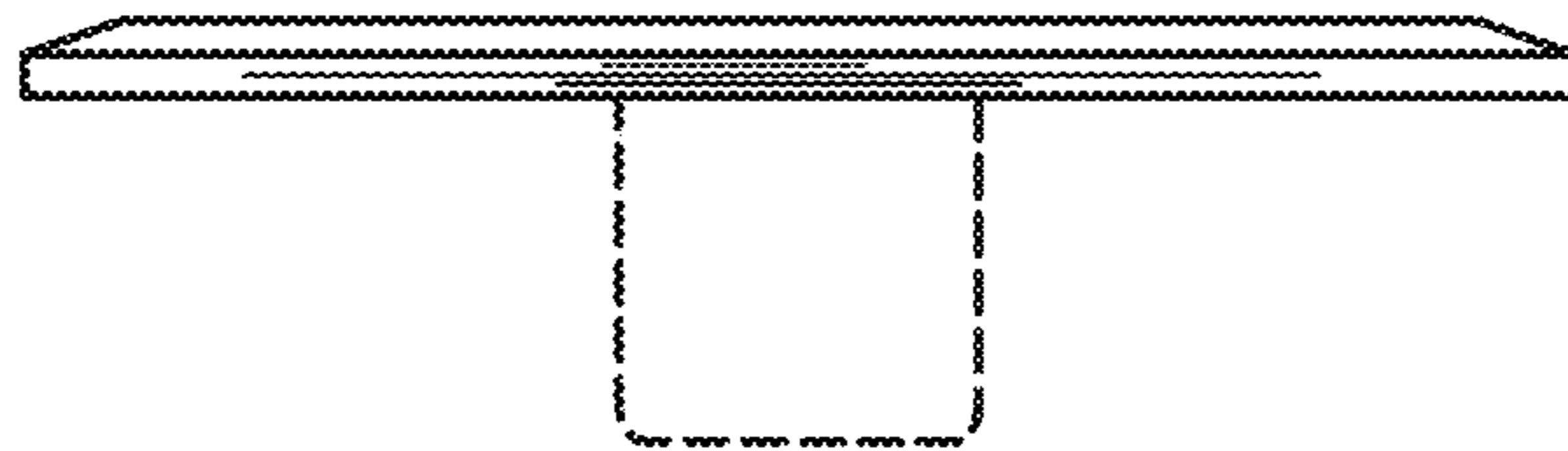


FIG.5

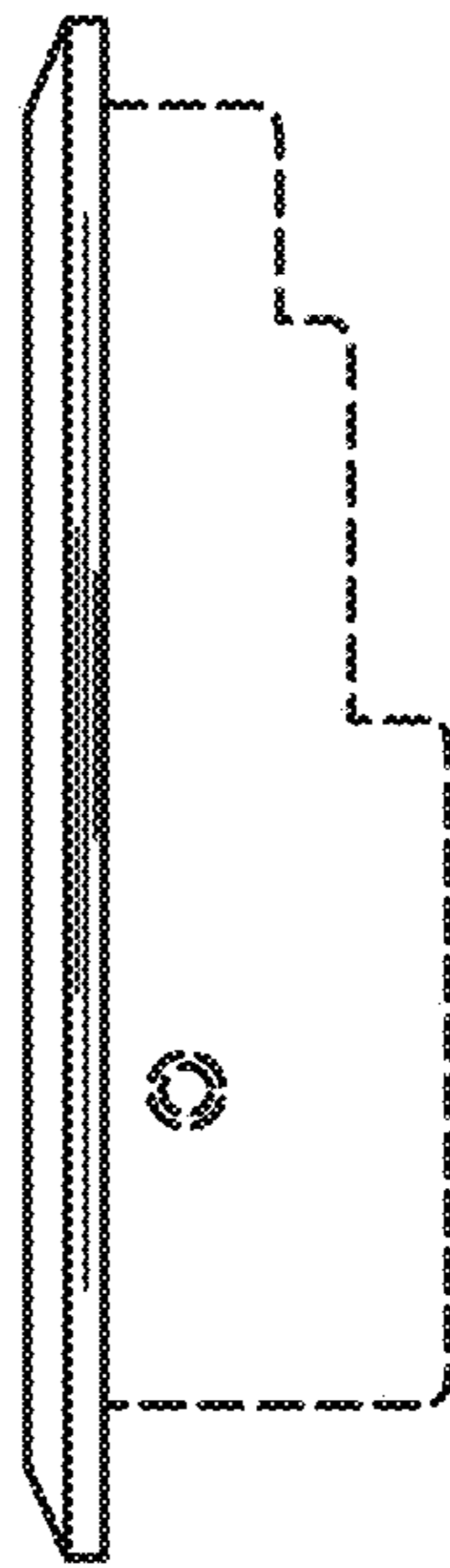


FIG.6

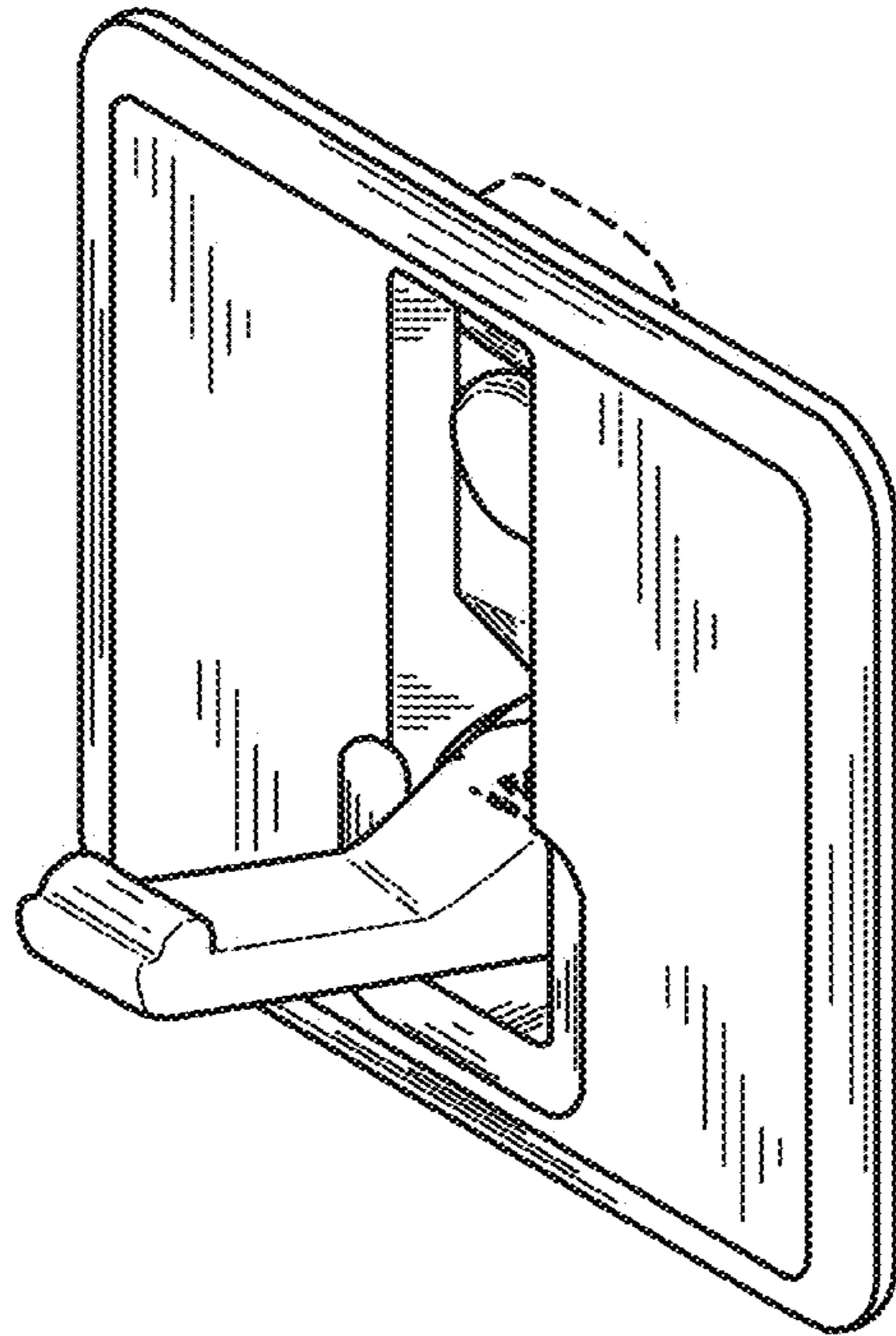


FIG.7

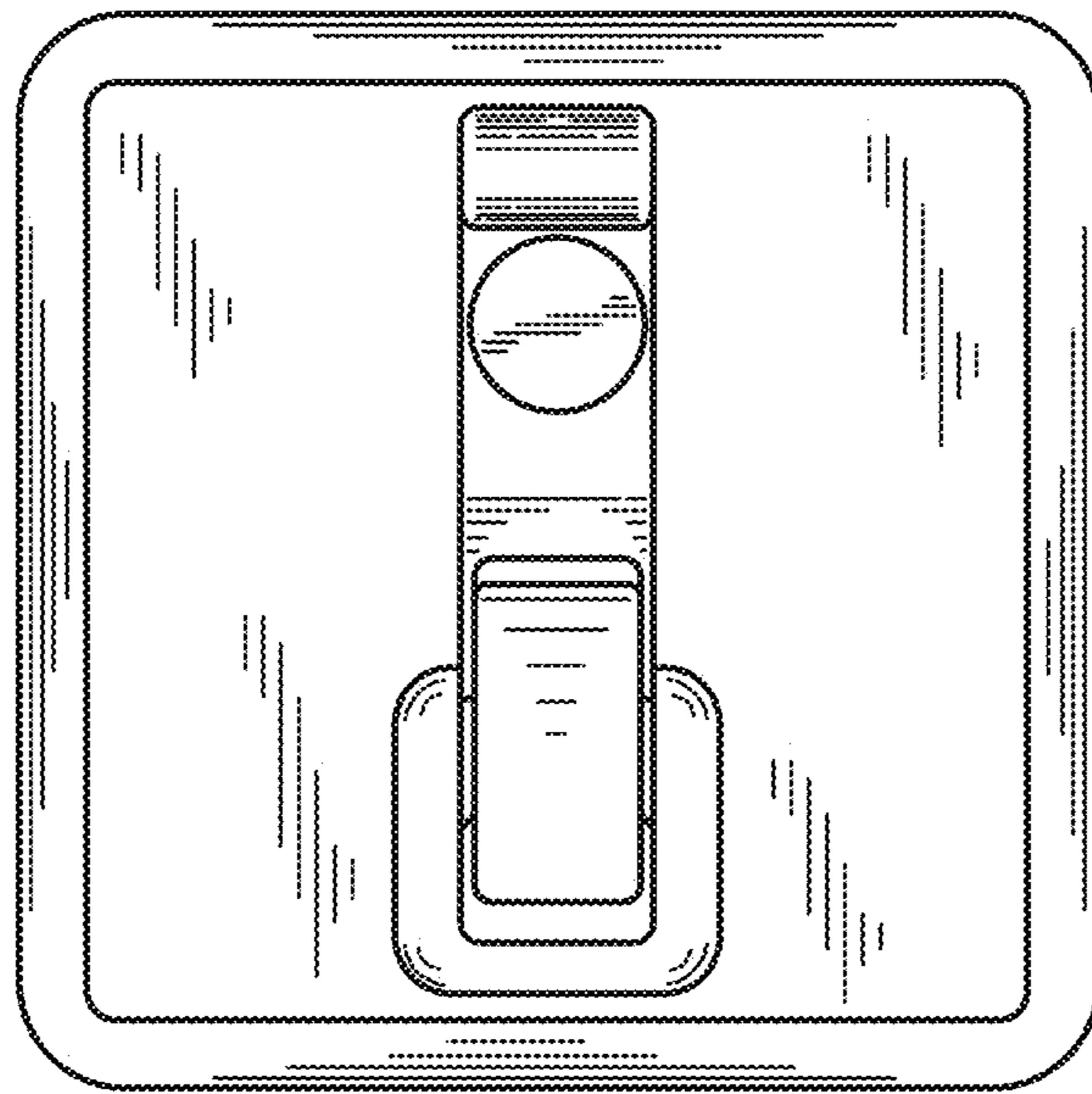


FIG.8

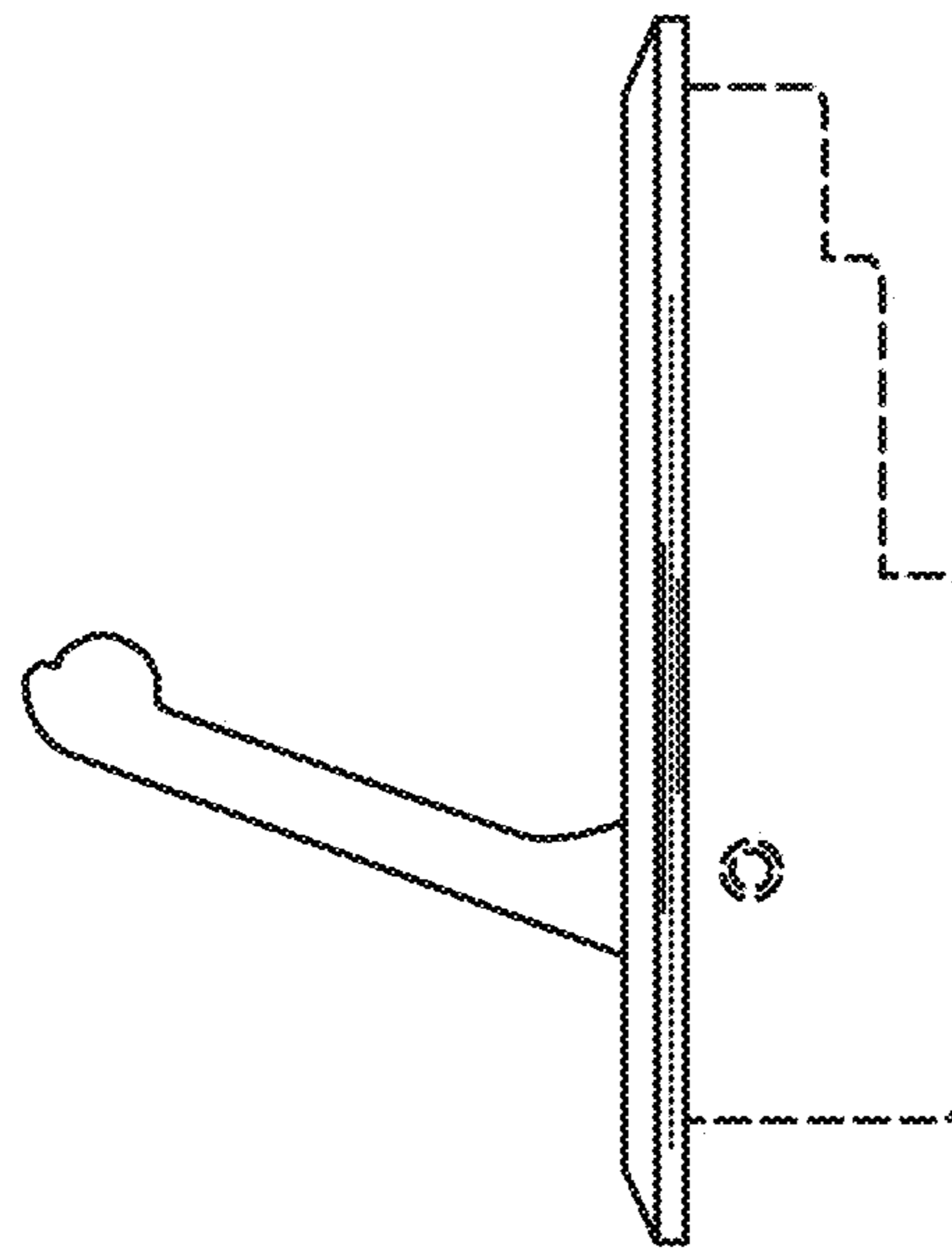


FIG.9