

US00D868566S

(12) **United States Design Patent**
Ellard

(10) **Patent No.:** **US D868,566 S**

(45) **Date of Patent:** **** Dec. 3, 2019**

- (54) **RETRACTABLE LANYARD**
- (71) Applicant: **SafetyLink Pty Ltd**, Thornton, NSW (AU)
- (72) Inventor: **Robin James Ellard**, Thornton (AU)
- (73) Assignee: **SAFETYLINK PTY LTD**, Thornton (AU)
- (**) Term: **15 Years**
- (21) Appl. No.: **29/660,701**
- (22) Filed: **Aug. 22, 2018**
- (30) **Foreign Application Priority Data**

- D521,231 S * 5/2006 Ng D3/208
- 7,040,257 B2 * 5/2006 Waxman A01K 27/004
119/796
- 7,150,247 B2 * 12/2006 Eulette A01K 27/004
119/798
- D574,607 S * 8/2008 Kelleghan D3/207
- D576,248 S * 9/2008 Jianwei D22/137
- D584,937 S * 1/2009 Kovacik D8/358
- D675,009 S * 1/2013 Votel D3/215
- D675,010 S * 1/2013 Votel D3/215
- D675,012 S * 1/2013 Votel D3/215
- D675,013 S * 1/2013 Votel D3/215
- D771,324 S * 11/2016 Churchill D30/153
- D787,921 S * 5/2017 Vanttilä D8/359
- D792,756 S * 7/2017 Vanttila D8/356
- D807,730 S * 1/2018 Wu D8/356
- 9,961,882 B2 * 5/2018 Woods A01K 27/004
- D819,429 S * 6/2018 Newing D8/356
- D819,957 S * 6/2018 Fina D3/207

(Continued)

- May 16, 2018 (AU) 201812901
- (51) **LOC (12) Cl.** **09-06**
- (52) **U.S. Cl.**
USPC **D8/356; D3/215**
- (58) **Field of Classification Search**
USPC D8/367, 356, 354, 349, 105, 380, 387;
24/599.9; D30/153; D3/215
CPC B65H 57/16; B63B 21/045; F16B 45/02;
H02J 7/0026; A63B 27/00; A63B 29/00;
A01K 27/004
See application file for complete search history.

Primary Examiner — Cynthia R Underwood
(74) *Attorney, Agent, or Firm* — Carter, DeLuca & Farrell LLP

(57) **CLAIM**

The ornamental design for a retractable lanyard, as shown and described.

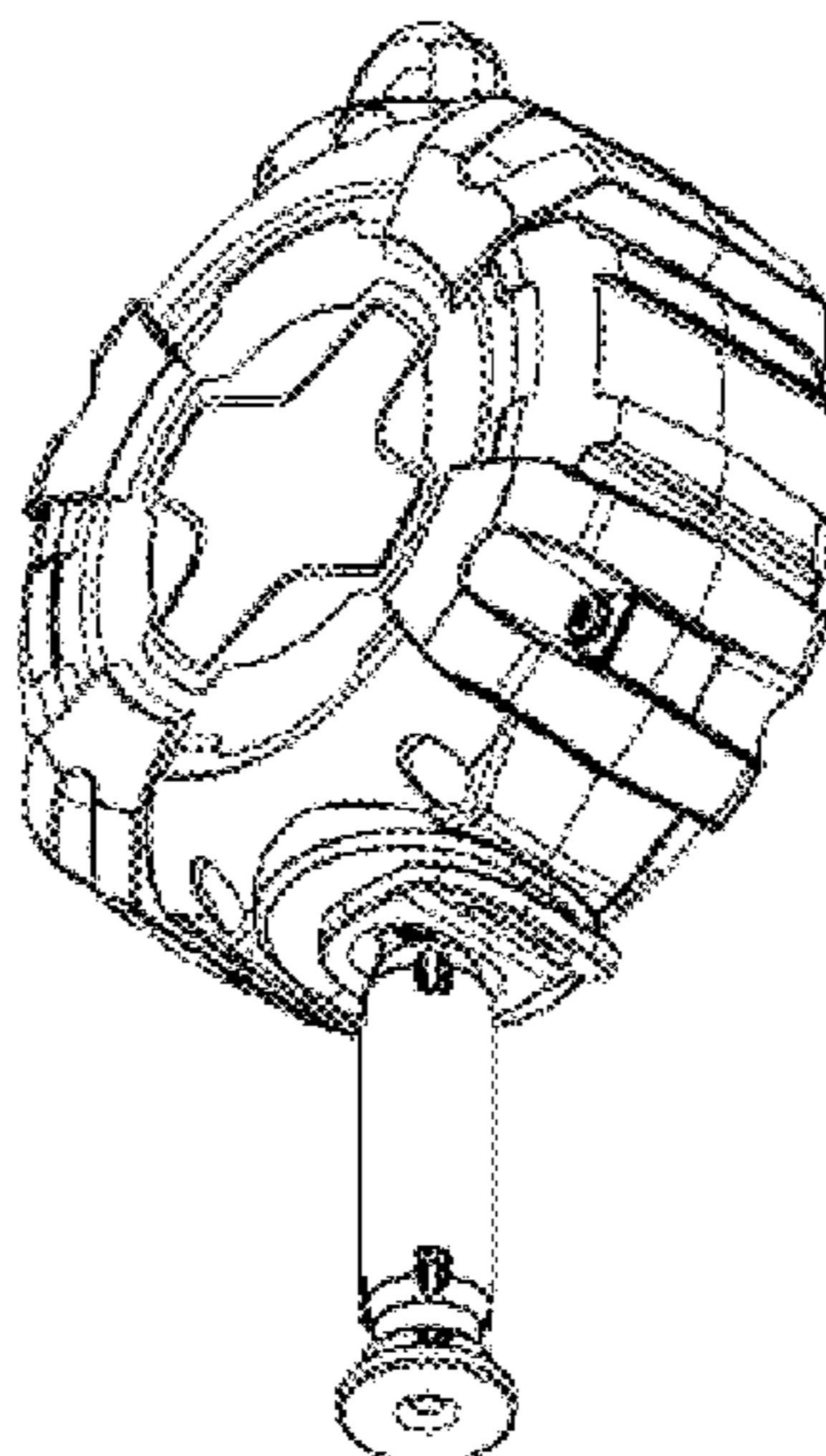
DESCRIPTION

FIG. 1 is a left side view of a retractable lanyard showing our new design;
FIG. 2 is a top view thereof;
FIG. 3 is a front view thereof;
FIG. 4 is a bottom view thereof;
FIG. 5 is a right side view thereof;
FIG. 6 is a rear view thereof;
FIG. 7 is a first perspective view from above thereof;
FIG. 8 is a second perspective view from above thereof;
FIG. 9 is a first perspective view from below thereof; and,
FIG. 10 is a second perspective view from below thereof.

(56) **References Cited**
U.S. PATENT DOCUMENTS

- D124,073 S * 12/1940 Gottlieb D30/153
- 3,054,573 A * 9/1962 Spencer G01B 3/1005
242/375.1
- 4,192,078 A * 3/1980 Lore B44D 3/38
33/414
- D400,349 S * 11/1998 Young D3/208
- D504,606 S * 5/2005 Kovacik D8/358
- D511,294 S * 11/2005 Kovacik D8/358

1 Claim, 10 Drawing Sheets



(56)

References Cited

U.S. PATENT DOCUMENTS

D822,916	S *	7/2018	Cox	D30/153
D823,559	S *	7/2018	Cox	D30/153
D831,467	S *	10/2018	Crichton	D8/356
D833,266	S *	11/2018	Barbara	D8/396
D839,662	S *	2/2019	Jacobsen	D7/391
D841,796	S *	2/2019	Freeland	D23/382
10,231,439	B2 *	3/2019	Woods	A01K 27/004
D845,558	S *	4/2019	Harris, II	A01K 27/004
					D30/153
10,362,767	B2 *	7/2019	Blaylock	A01K 27/004
D856,610	S *	8/2019	Jew	D30/160
D857,484	S *	8/2019	Altamura	D8/356
2003/0038209	A1 *	2/2003	Remeczky	B65H 75/143
					242/610.6

* cited by examiner

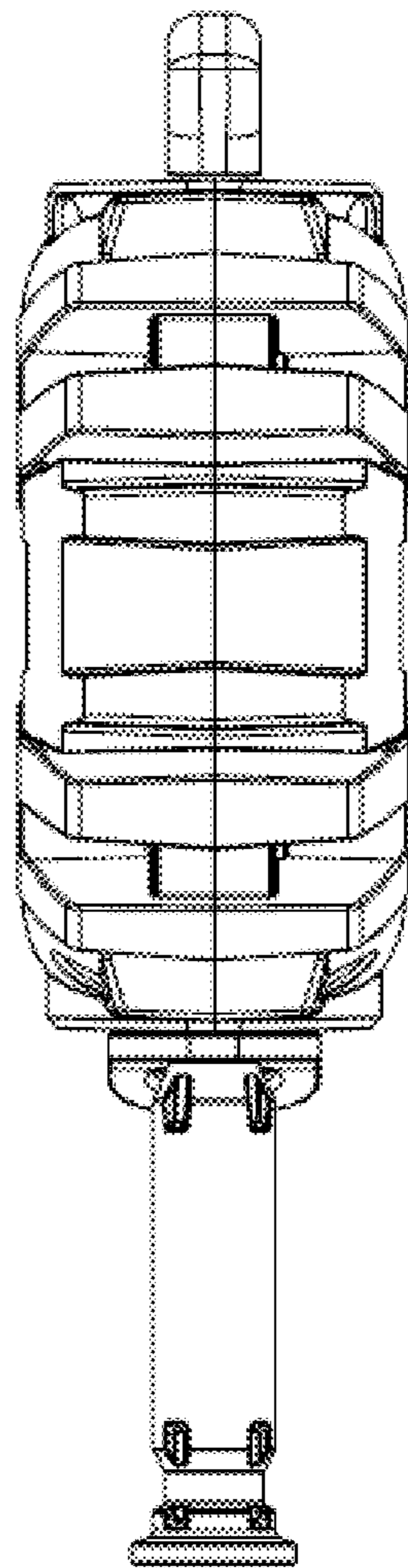


Fig. 1

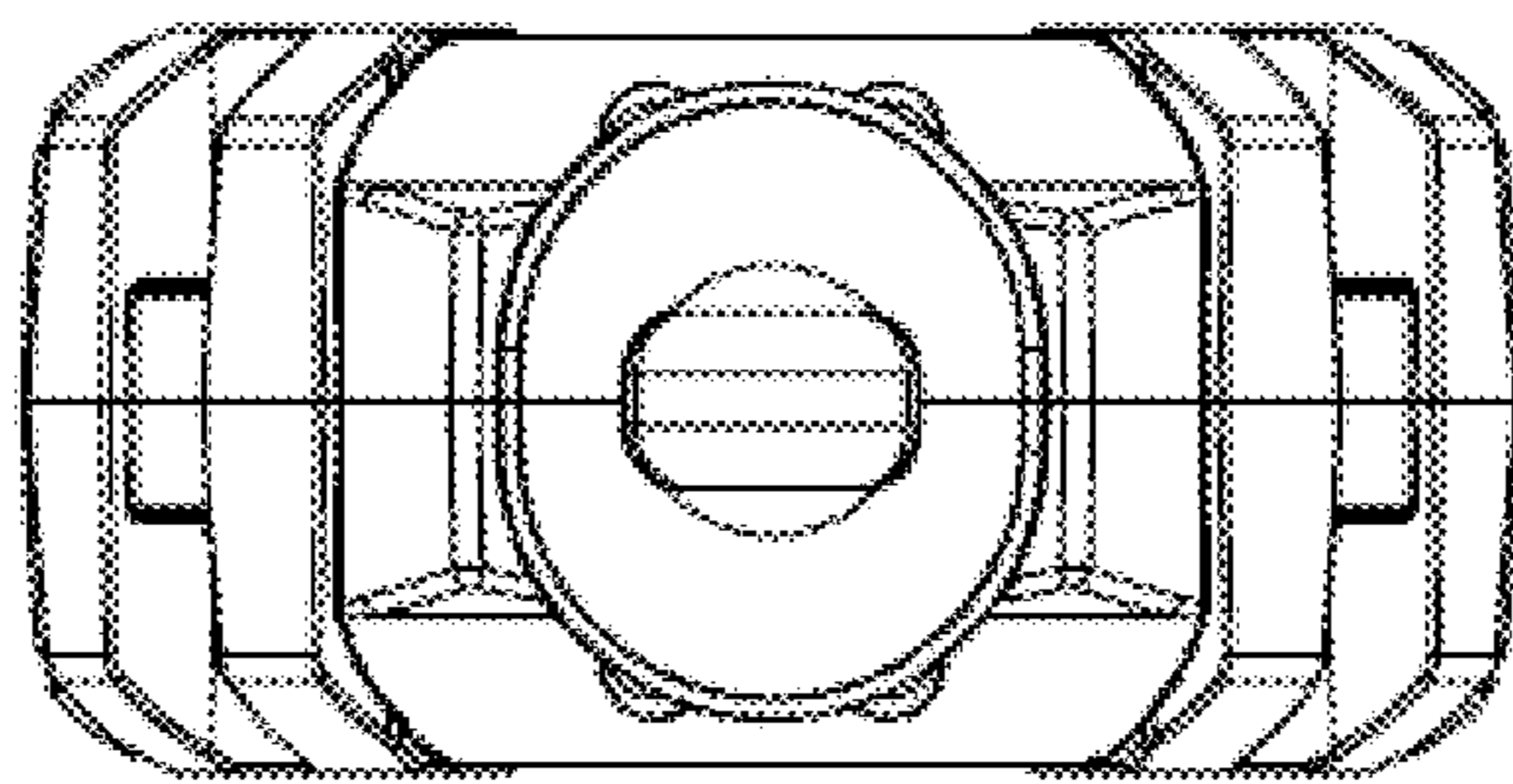


Fig. 2

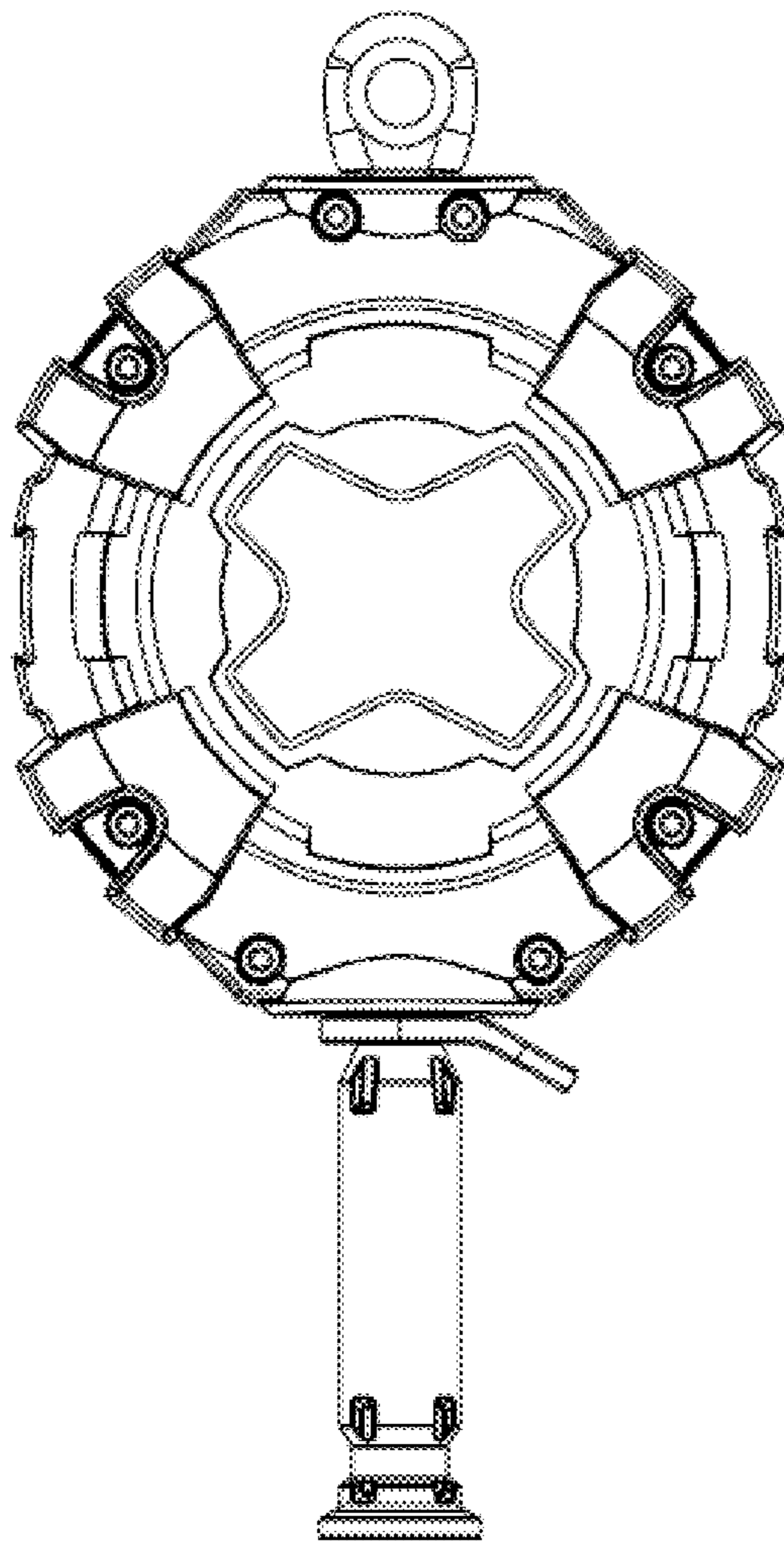


Fig. 3

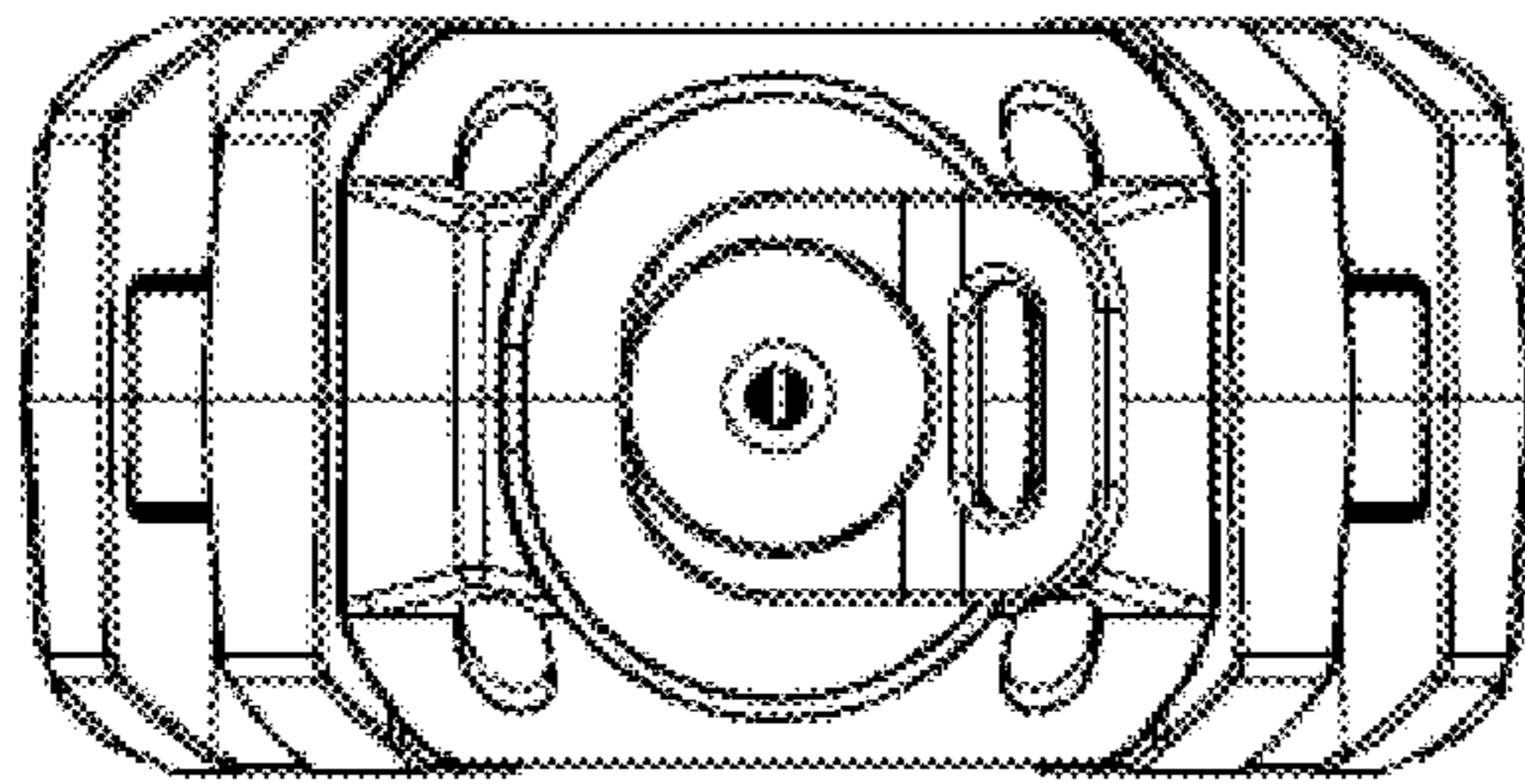


Fig. 4

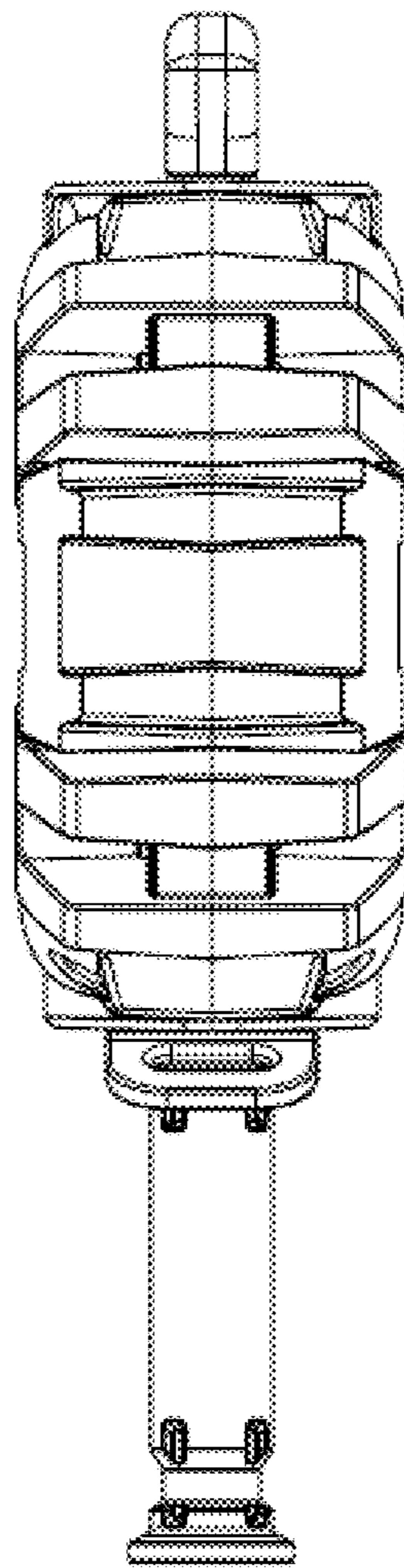


Fig. 5

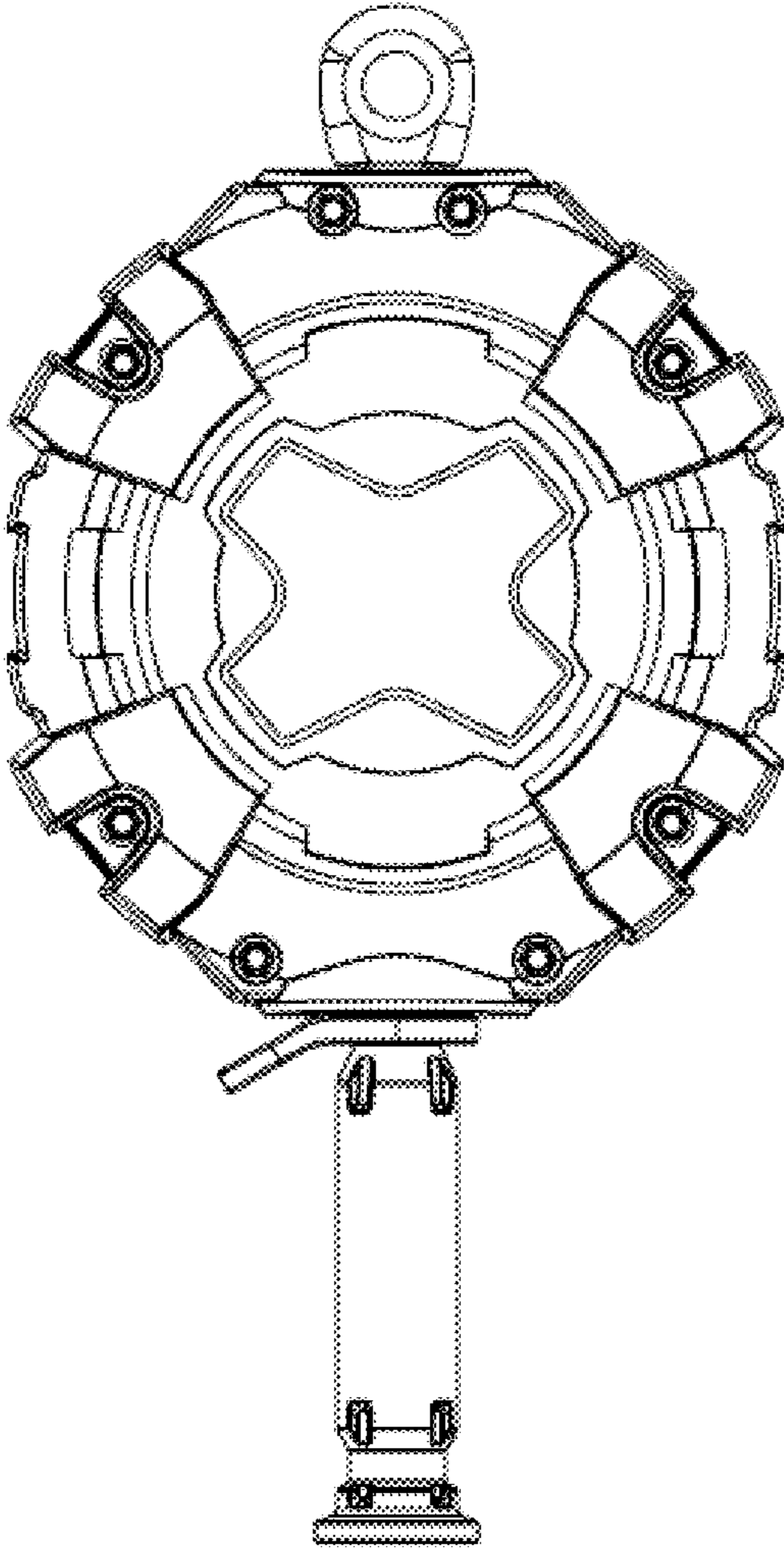


Fig. 6

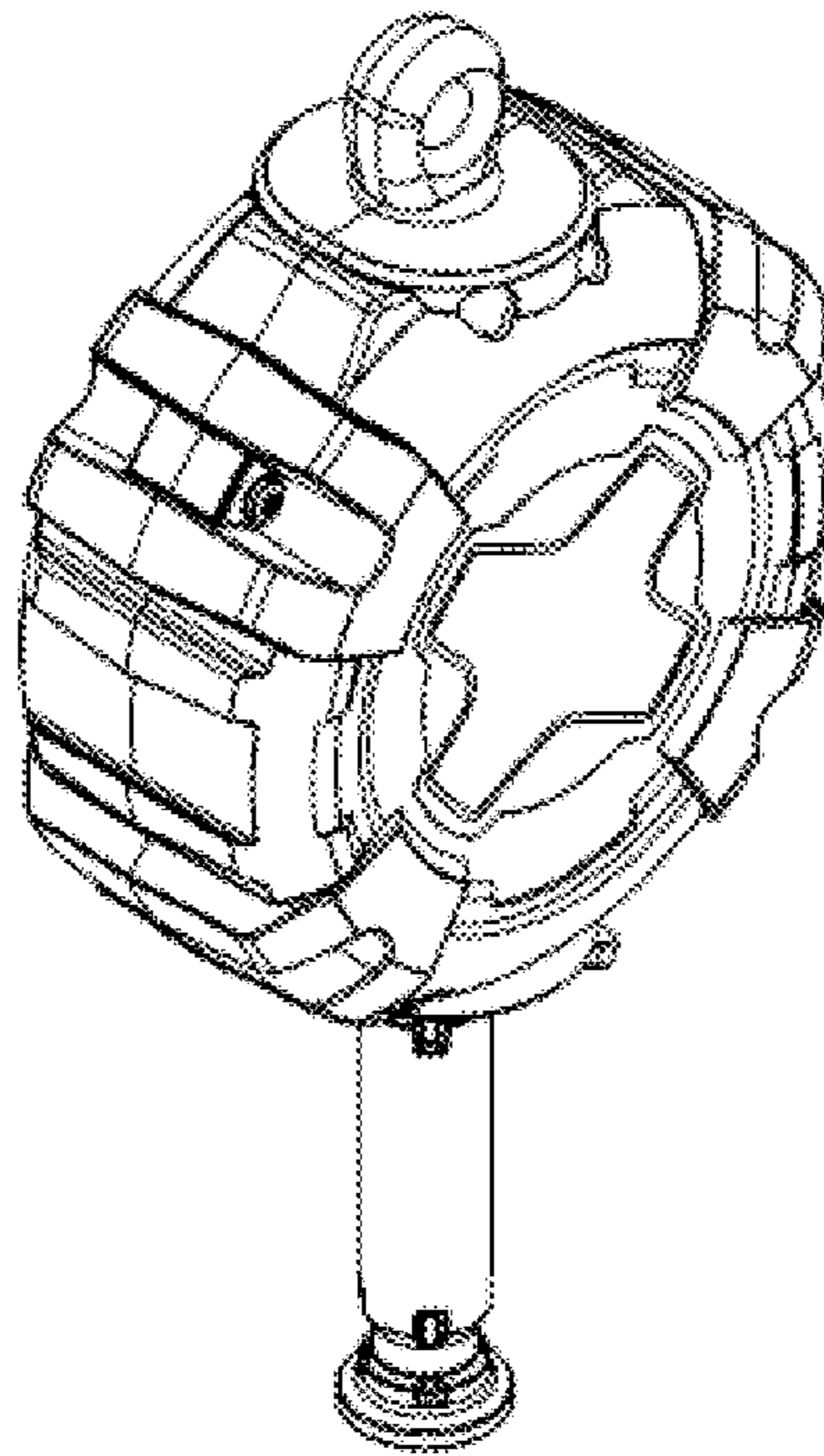


FIG. 7

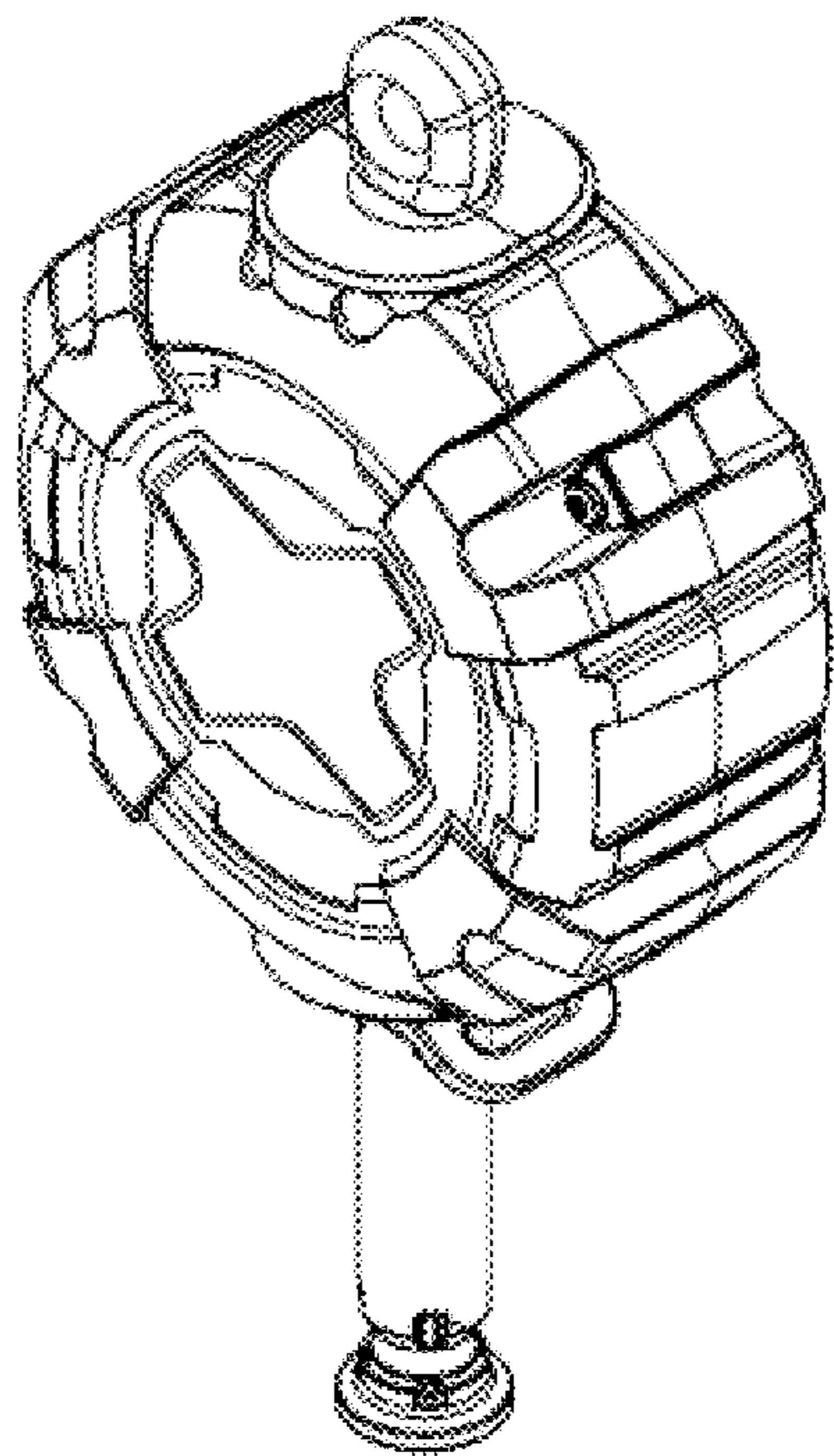


Fig. 8

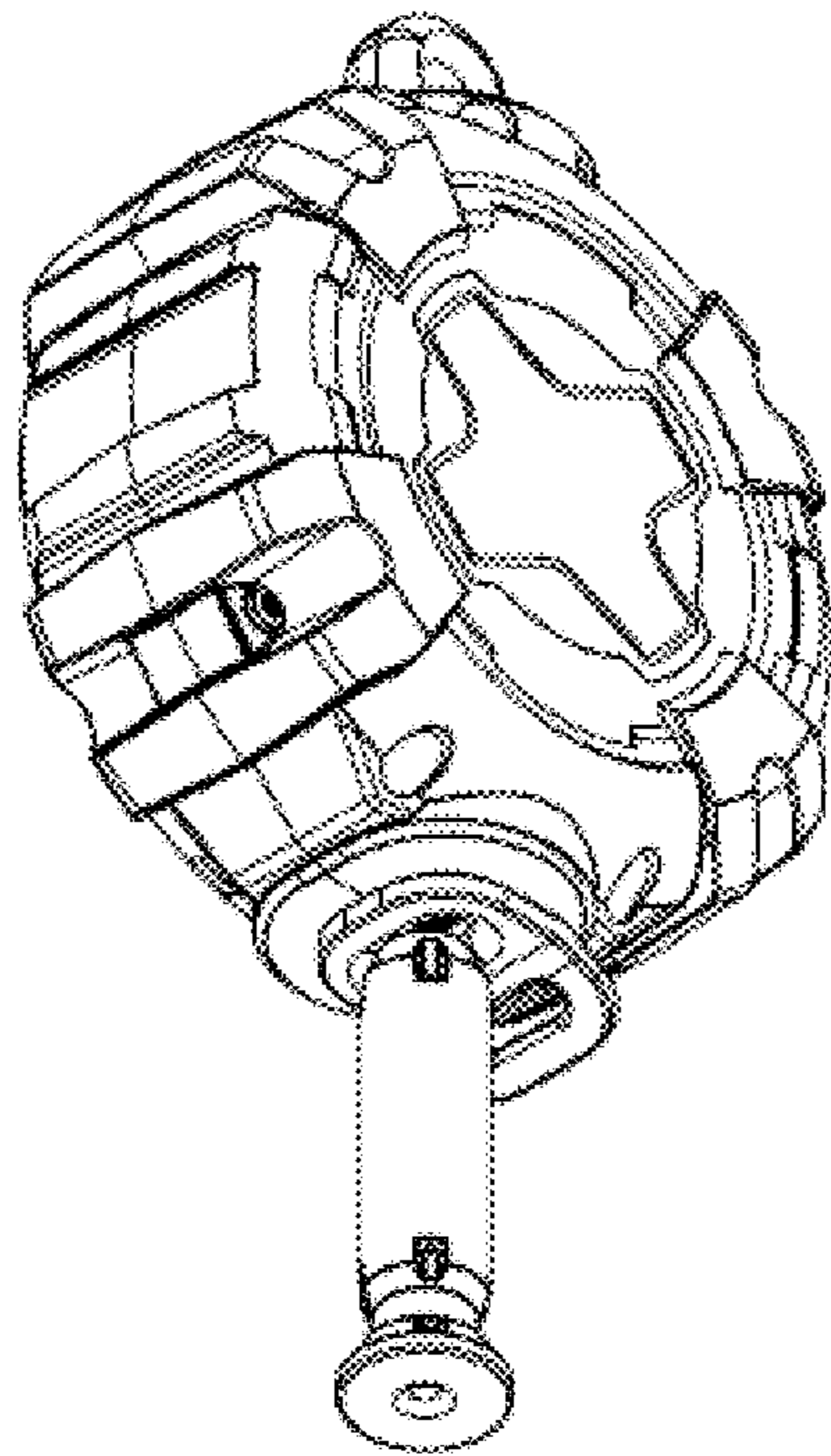


Fig. 9

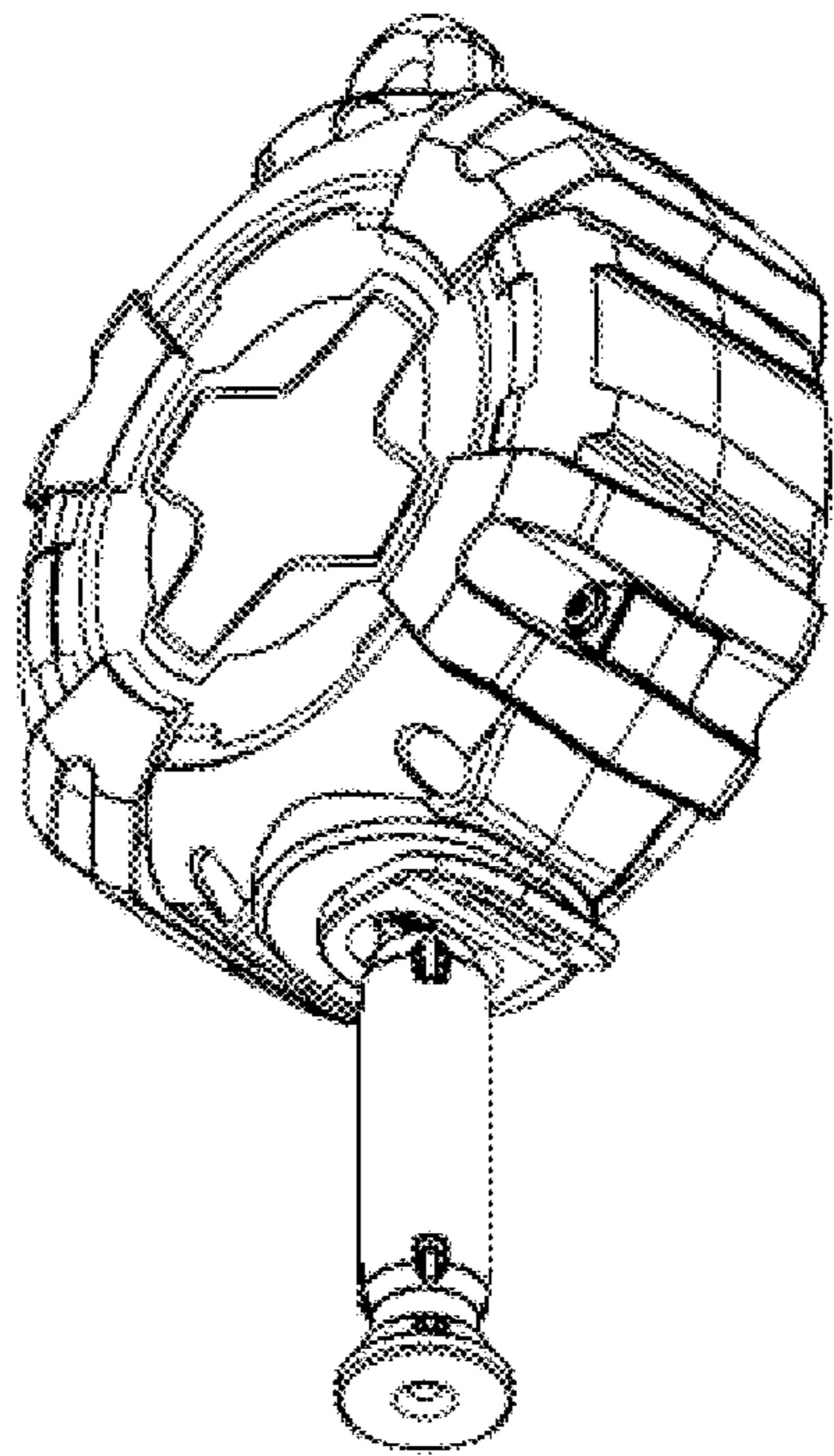


Fig. 10