



US00D868563S

(12) **United States Design Patent** (10) **Patent No.:** **US D868,563 S**
Wong et al. (45) **Date of Patent:** **** Dec. 3, 2019**

(54) **DOOR LOCK SET**

D817,148 S 5/2018 Carpintero et al.
D818,795 S * 5/2018 Morstatt D8/331
2003/0132829 A1* 7/2003 Frolov E05B 47/00
340/5.7

(71) Applicant: **ASSA ABLOY Residential Group, Inc.**, New Haven, CT (US)

(Continued)

(72) Inventors: **Wai P. Wong**, Orange, CT (US); **Kevin C. Kraus**, Monument, CO (US); **Andrew DaSilva**, Naugatuck, CT (US)

Primary Examiner — Ian Simmons
Assistant Examiner — Yolanda Robinson

(73) Assignee: **ASSA ABLOY Residential Group, Inc.**, New Haven, CT (US)

(74) *Attorney, Agent, or Firm* — Wolf, Greenfield & Sacks, P.C.

(**) Term: **15 Years**

(57) **CLAIM**

(21) Appl. No.: **29/639,981**

The ornamental design for a door lock set, as shown and described.

(22) Filed: **Mar. 9, 2018**

DESCRIPTION

(51) **LOC (12) Cl.** **08-07**

(52) **U.S. Cl.**
USPC **D8/331**

(58) **Field of Classification Search**
USPC D8/301, 32, 330, 333, 334, 335, 336,
D8/337, 338, 341, 342, 348, 350, 352,
D8/339, 400, 499, 331; 70/14, 20, 91,
70/92, 102, 141, 237, 262, 263, 266,
70/278.1, 279.1, 416, 465, 442, 443, 214,
70/78, 447
CPC ... E05B 9/00; E05B 9/02; E05B 47/00; E05B
49/00; E05B 37/00; E05B 1/00
See application file for complete search history.

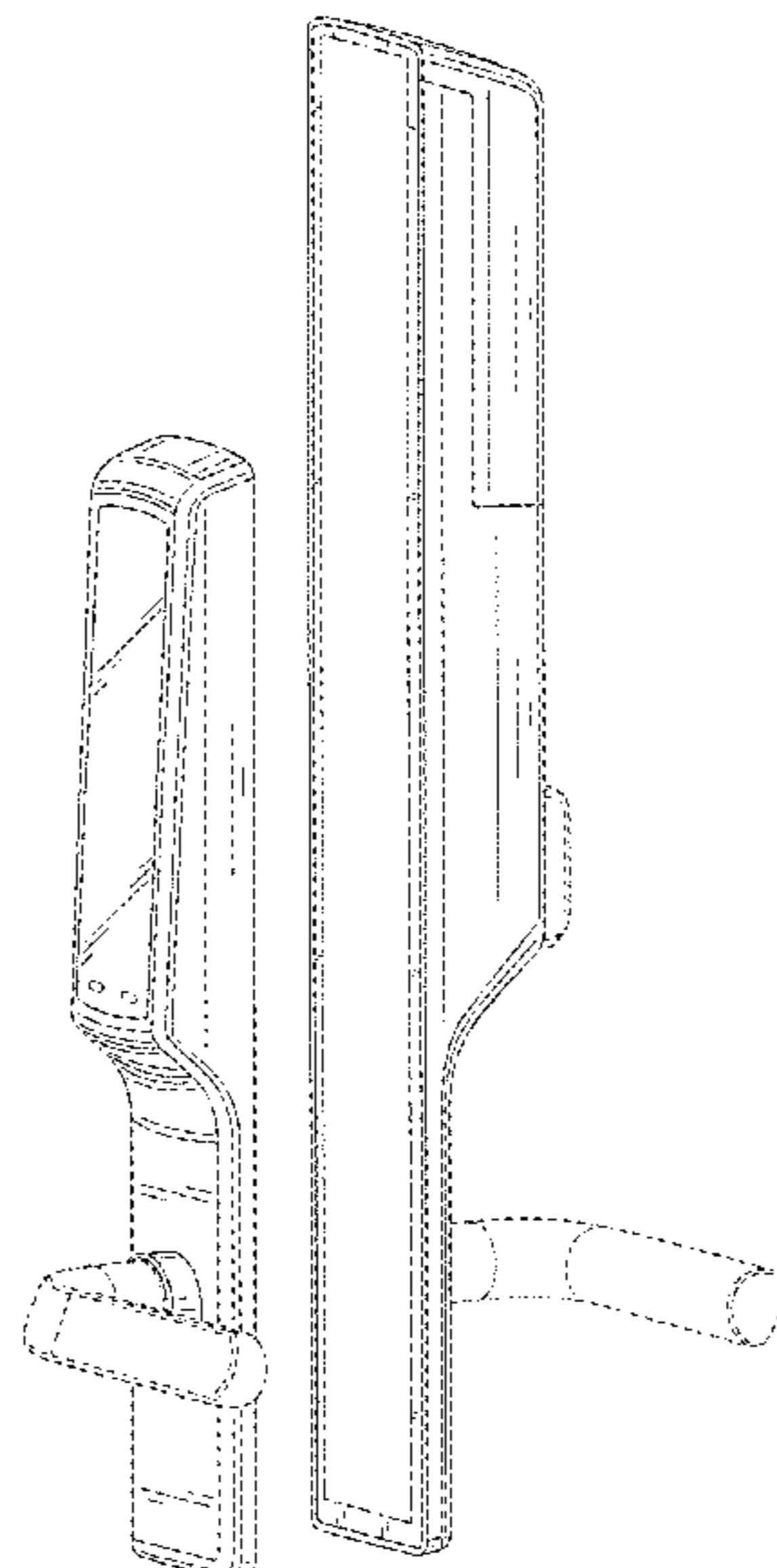
FIG. 1 is a top, front, right side perspective view of an embodiment of a door lock set;
FIG. 2 is a top, front, left side perspective view of FIG. 1;
FIG. 3 is a top, rear, left side perspective view of FIG. 1;
FIG. 4 is a top, rear, right side perspective view of FIG. 1;
FIG. 5 is a front elevation view of FIG. 1;
FIG. 6 is a rear elevation view of FIG. 1;
FIG. 7 is a left side elevation view of FIG. 1;
FIG. 8 is a right side elevation view of FIG. 1;
FIG. 9 is a top plan view of FIG. 1;
FIG. 10 is a bottom plan view of FIG. 1
FIG. 11 is a top, front, left side perspective view of the door lock set of FIG. 1 shown mounted to a portion of a door; and, FIG. 12 is a top, rear, left side perspective view of the door lock set of FIG. 1 shown mounted to a portion of a door. The dash-dash broken lines show portions of the door lock that form no part of the claimed design. The dot-dash broken lines represent boundaries of the claimed design and form no part of the claimed design. Any broken line illustration of environmental structure in the drawing is not part of the design sought to be patented.

(56) **References Cited**

U.S. PATENT DOCUMENTS

- 6,733,050 B1 * 5/2004 Yao E05B 63/044
292/137
- D512,899 S 12/2005 Oskamp et al.
- D607,303 S * 1/2010 Kim D8/331
- 8,677,792 B2 3/2014 Wheeler
- D752,946 S 4/2016 Shen
- D753,463 S * 4/2016 Gokcebay D8/330
- D811,852 S * 3/2018 Xin D8/331

1 Claim, 12 Drawing Sheets



(56)

References Cited

U.S. PATENT DOCUMENTS

2018/0266142 A1 9/2018 Wong
2018/0320413 A1* 11/2018 Wong E05B 53/008

* cited by examiner

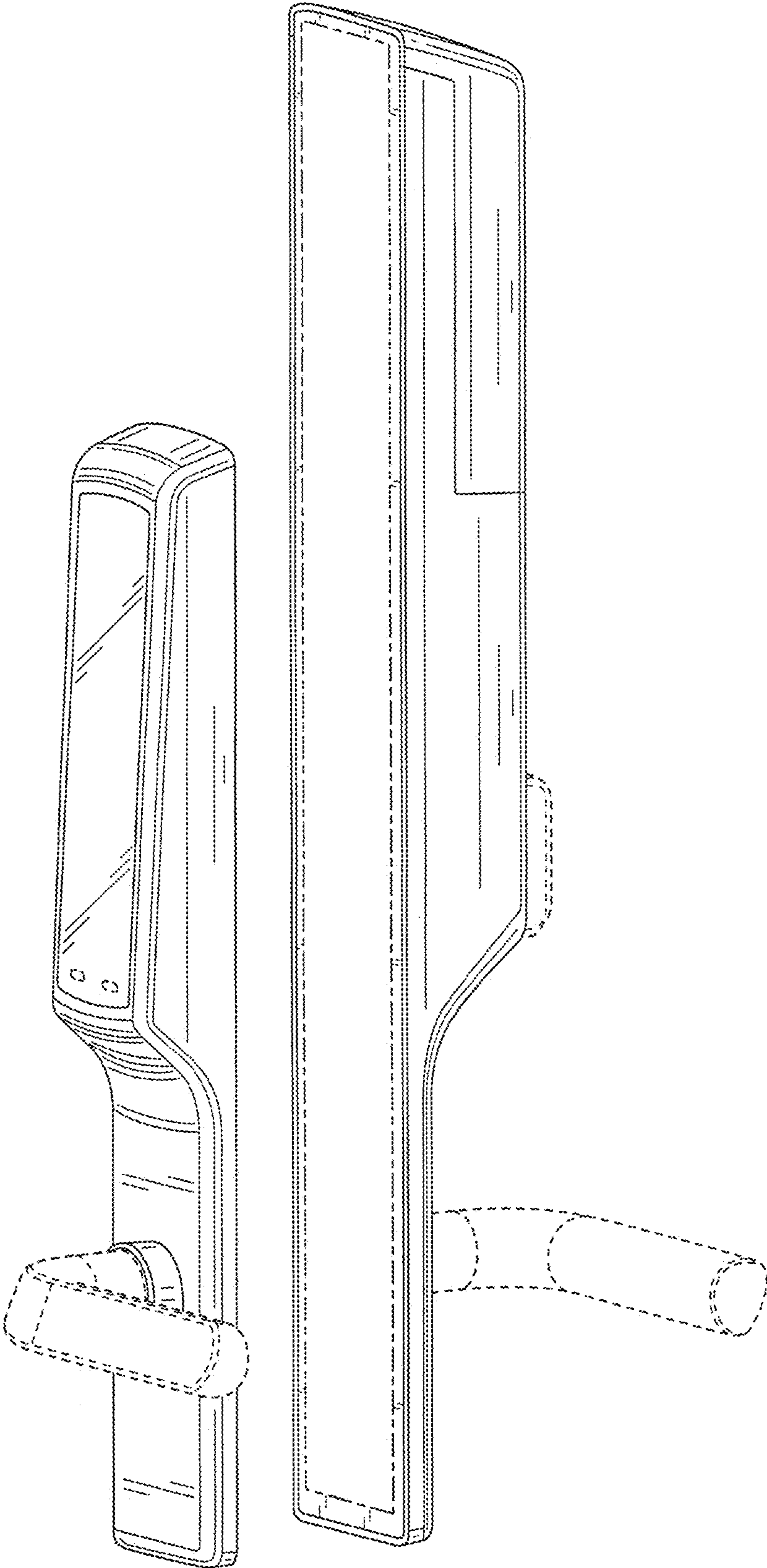


FIG. 1

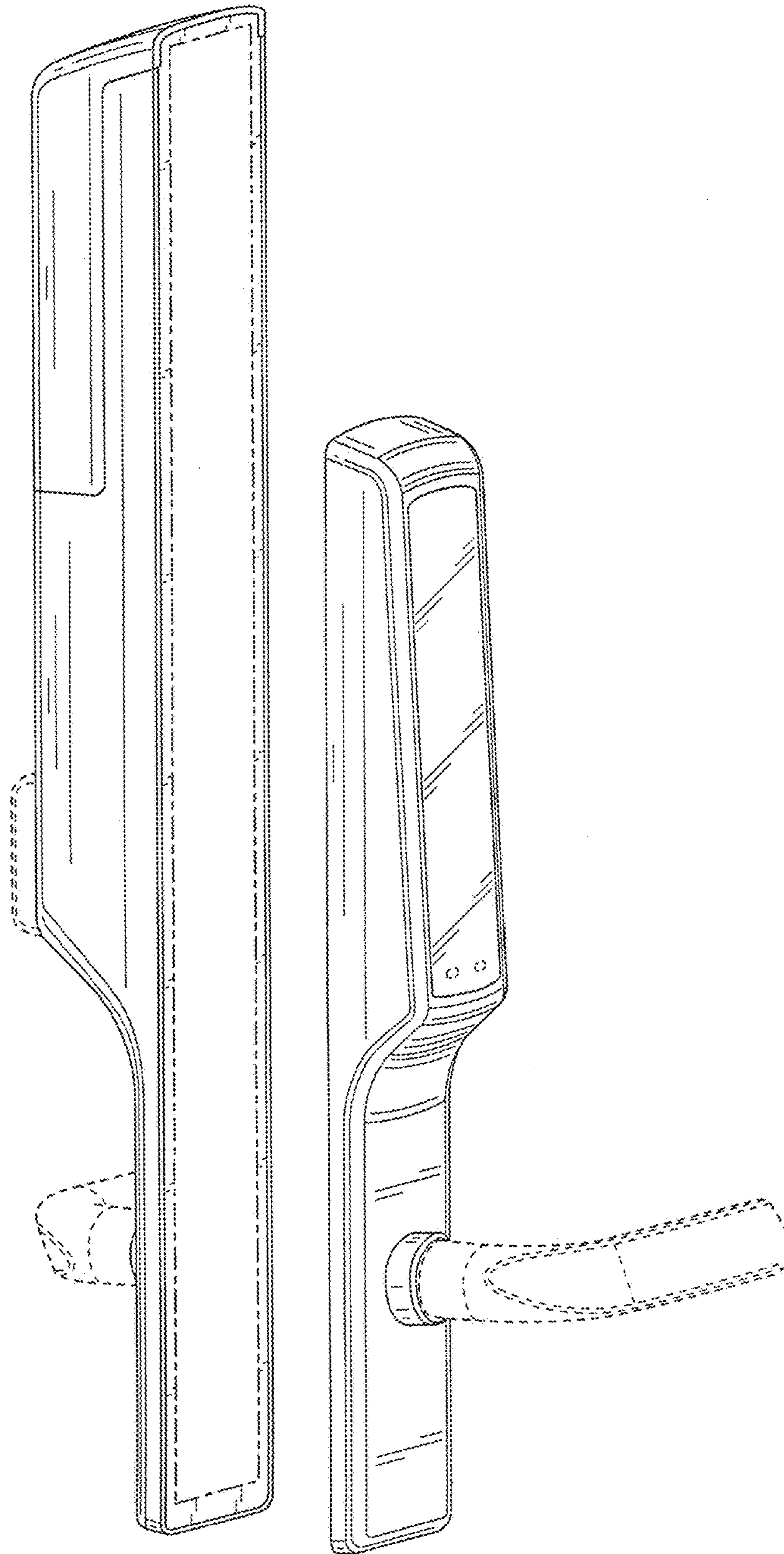


FIG. 2

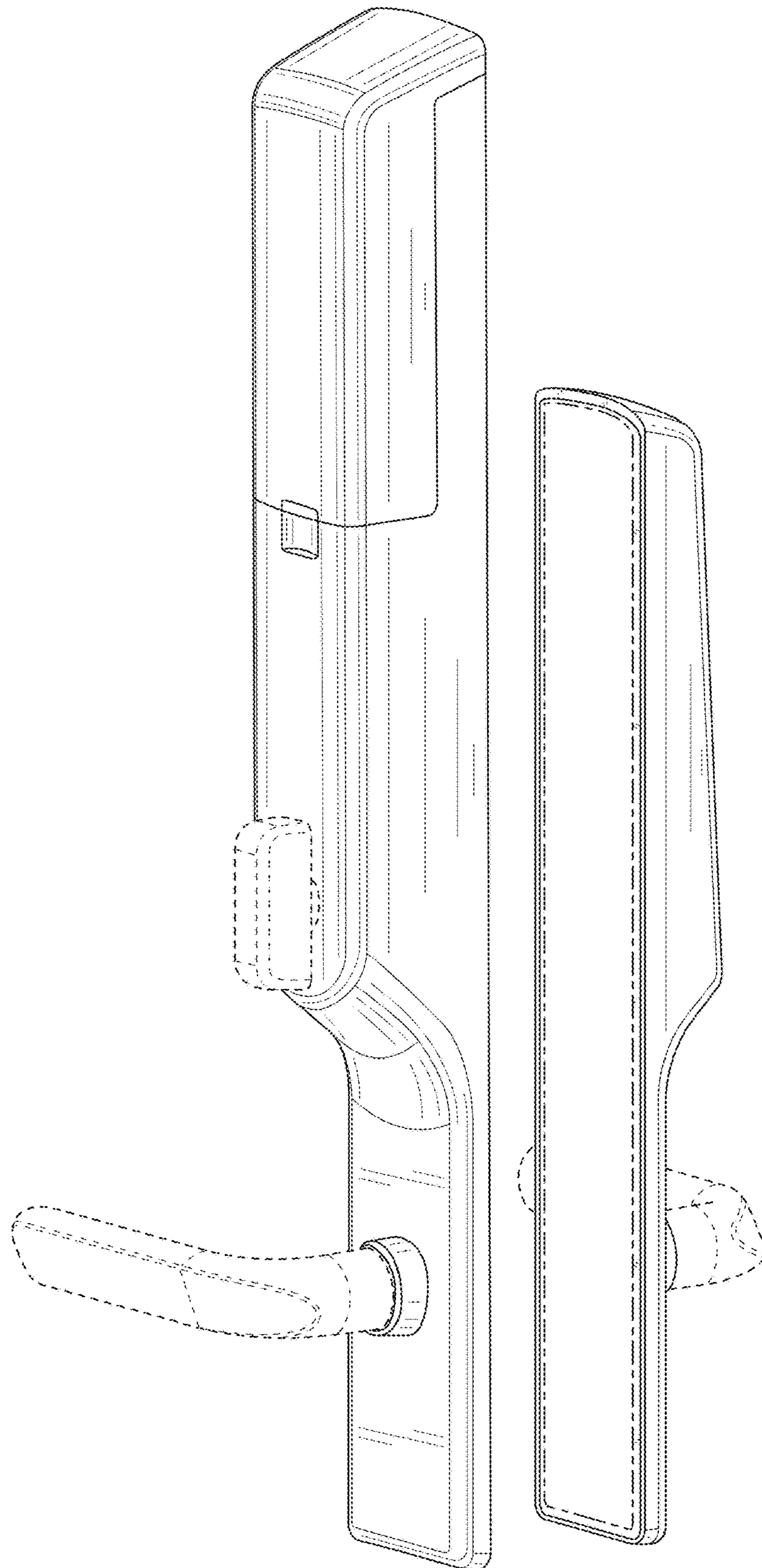


FIG. 3

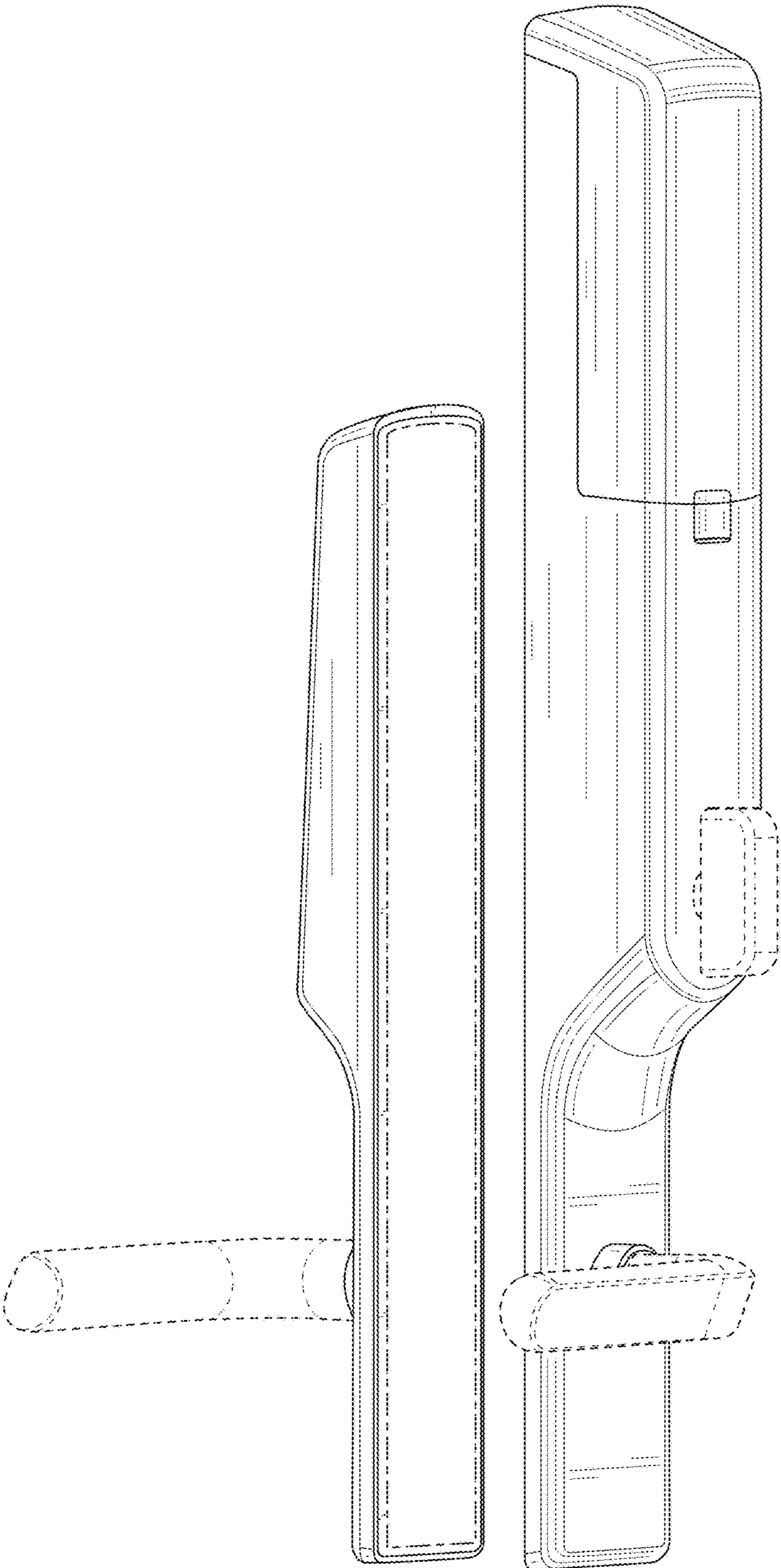


FIG. 4

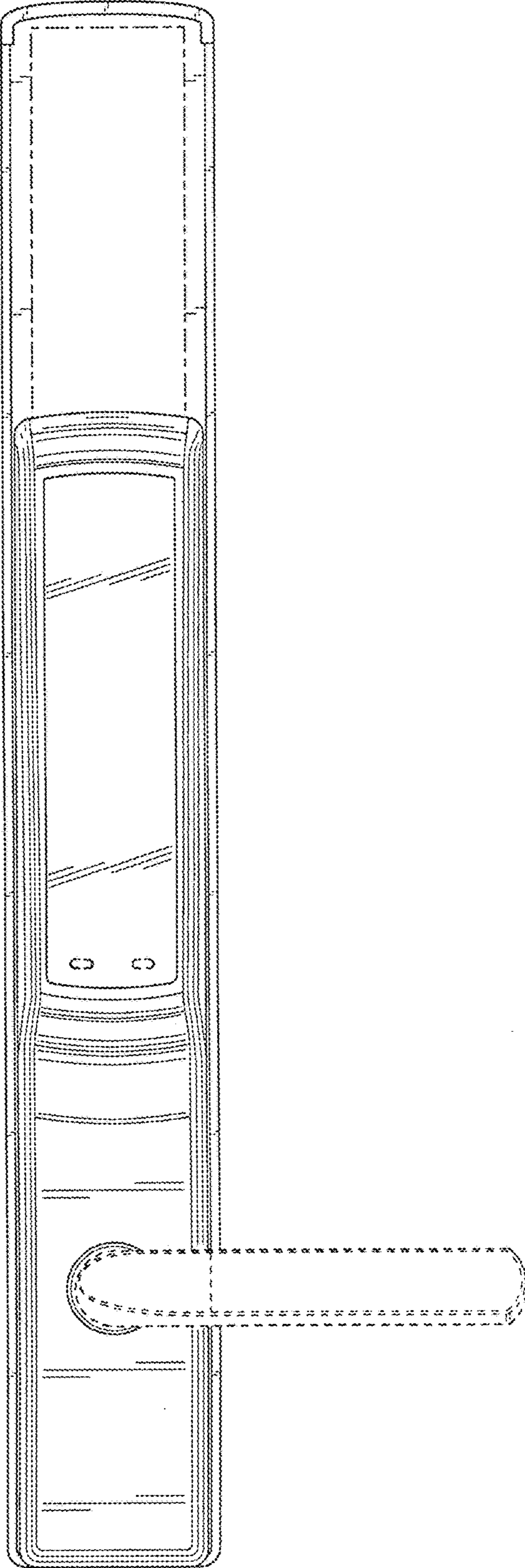


FIG. 5

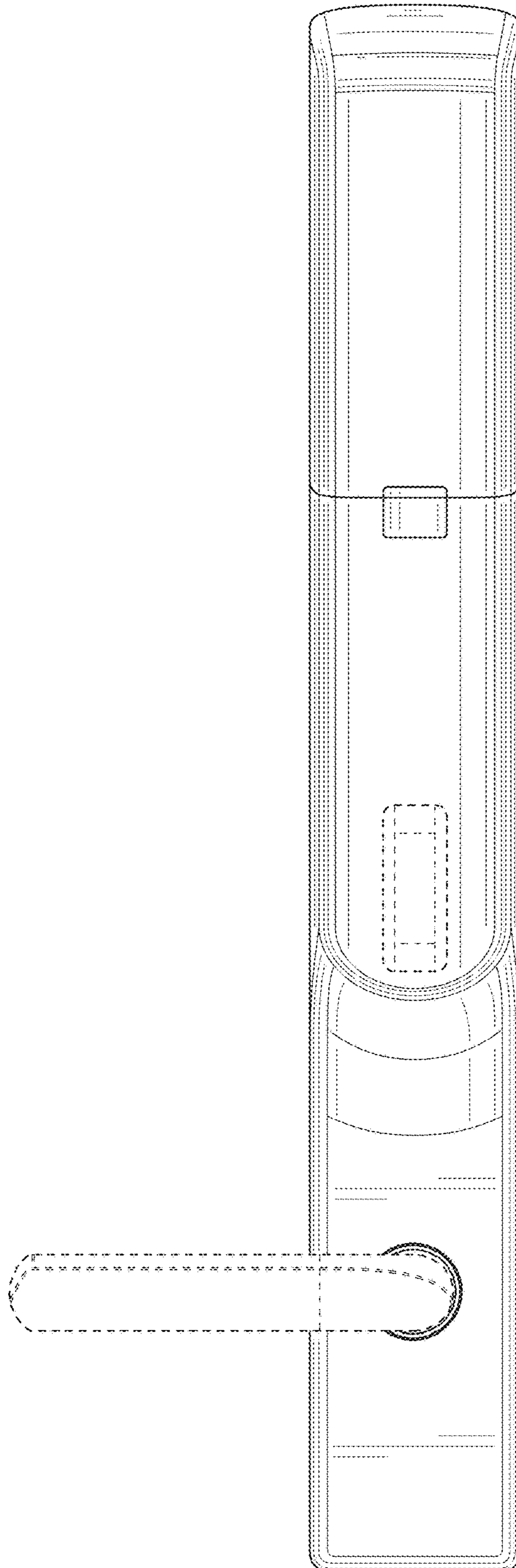


FIG. 6

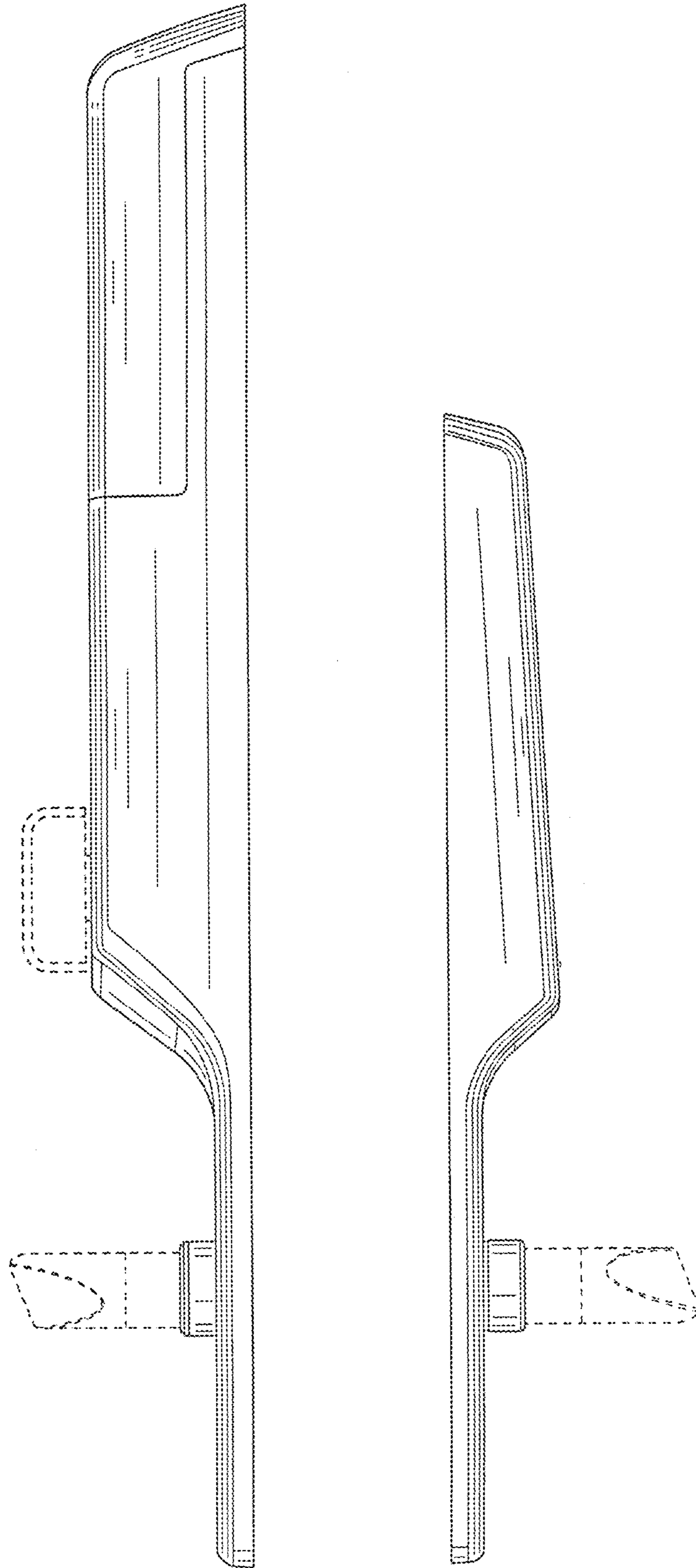


FIG. 7

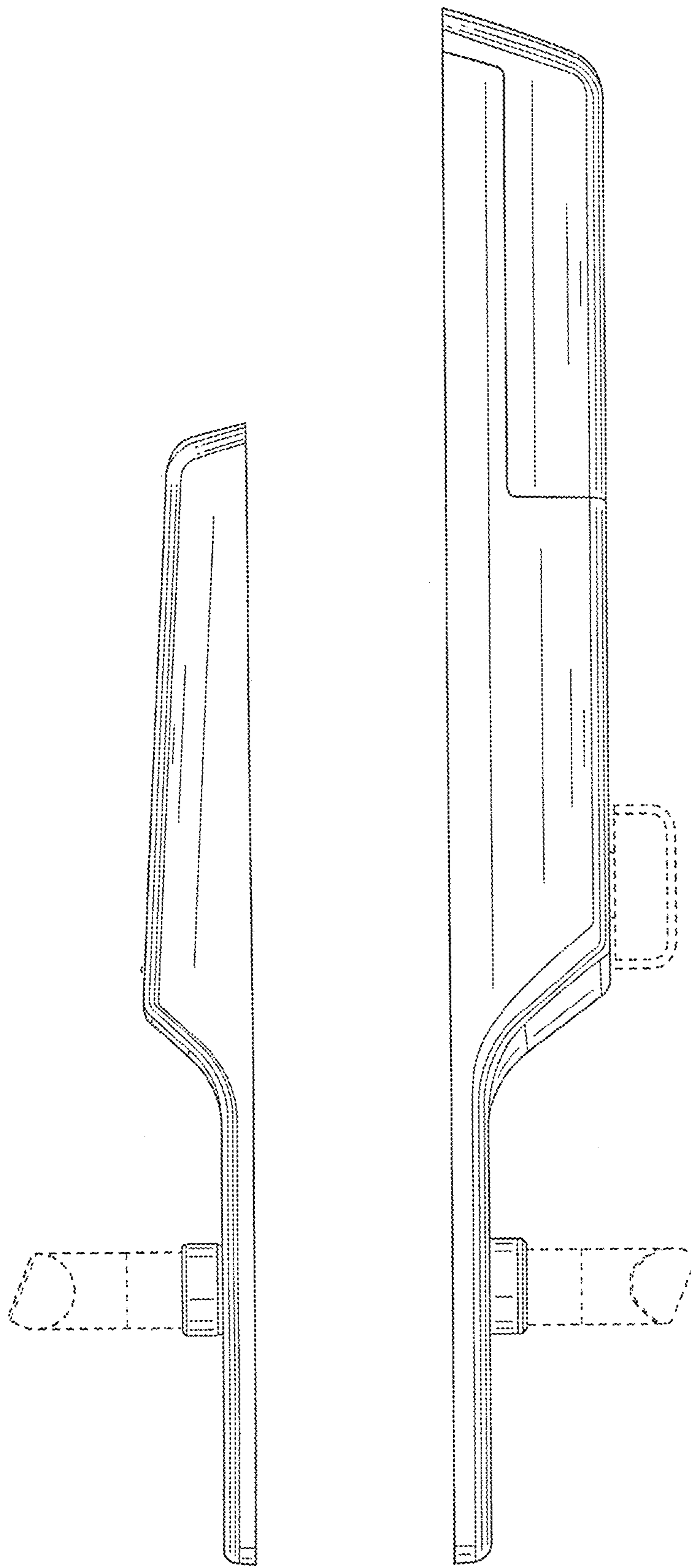


FIG. 8

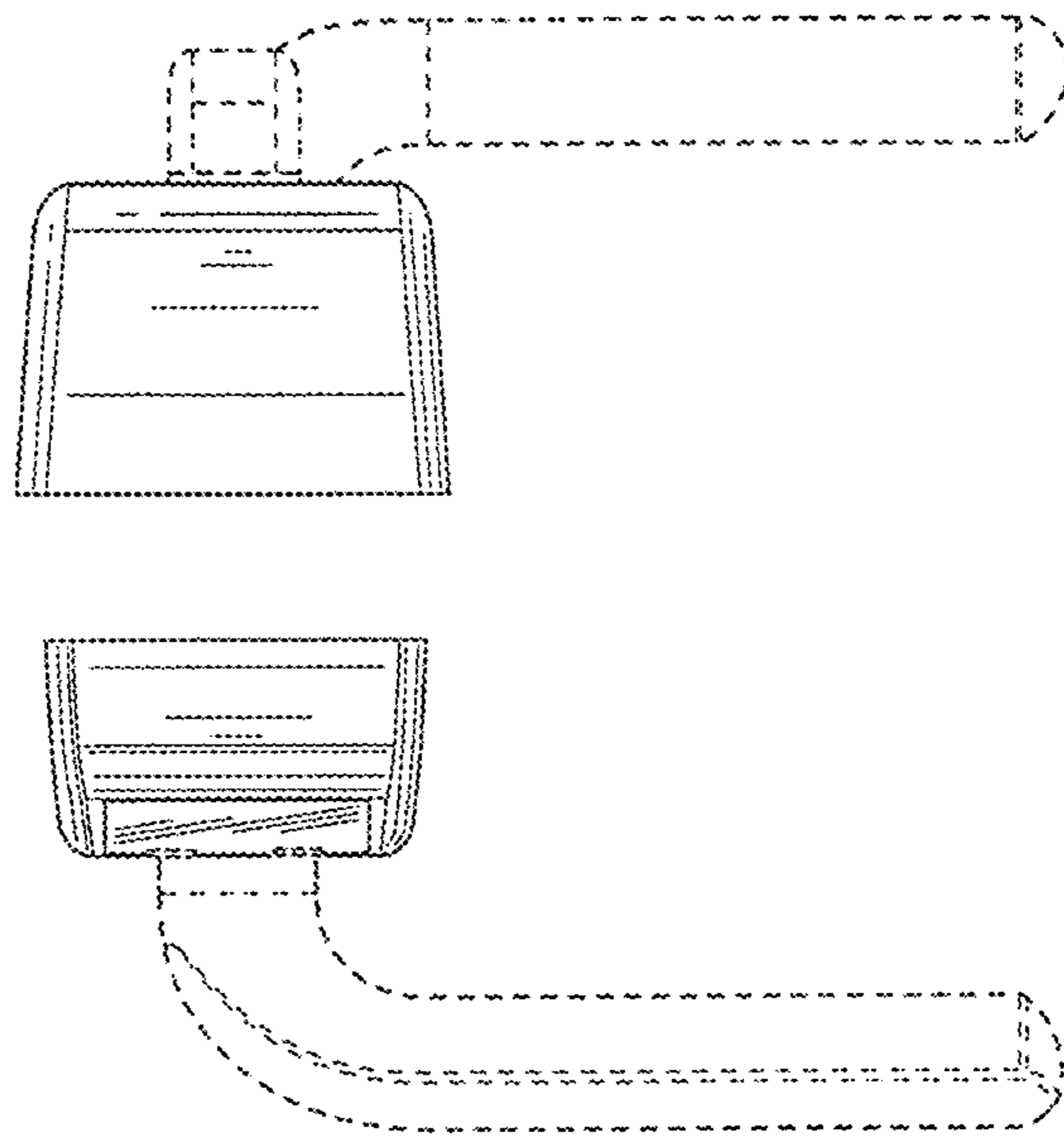


FIG. 9

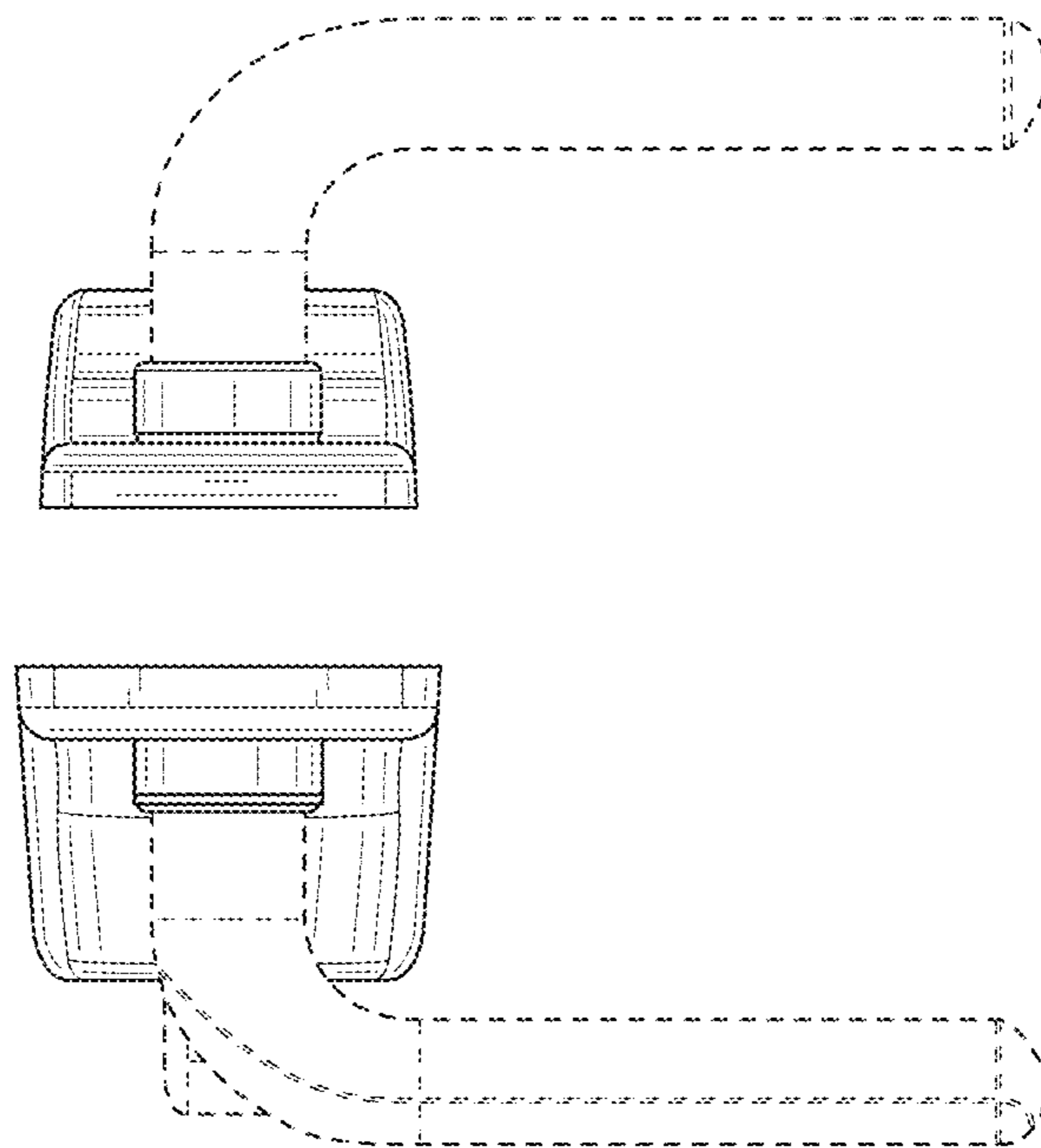


FIG. 10

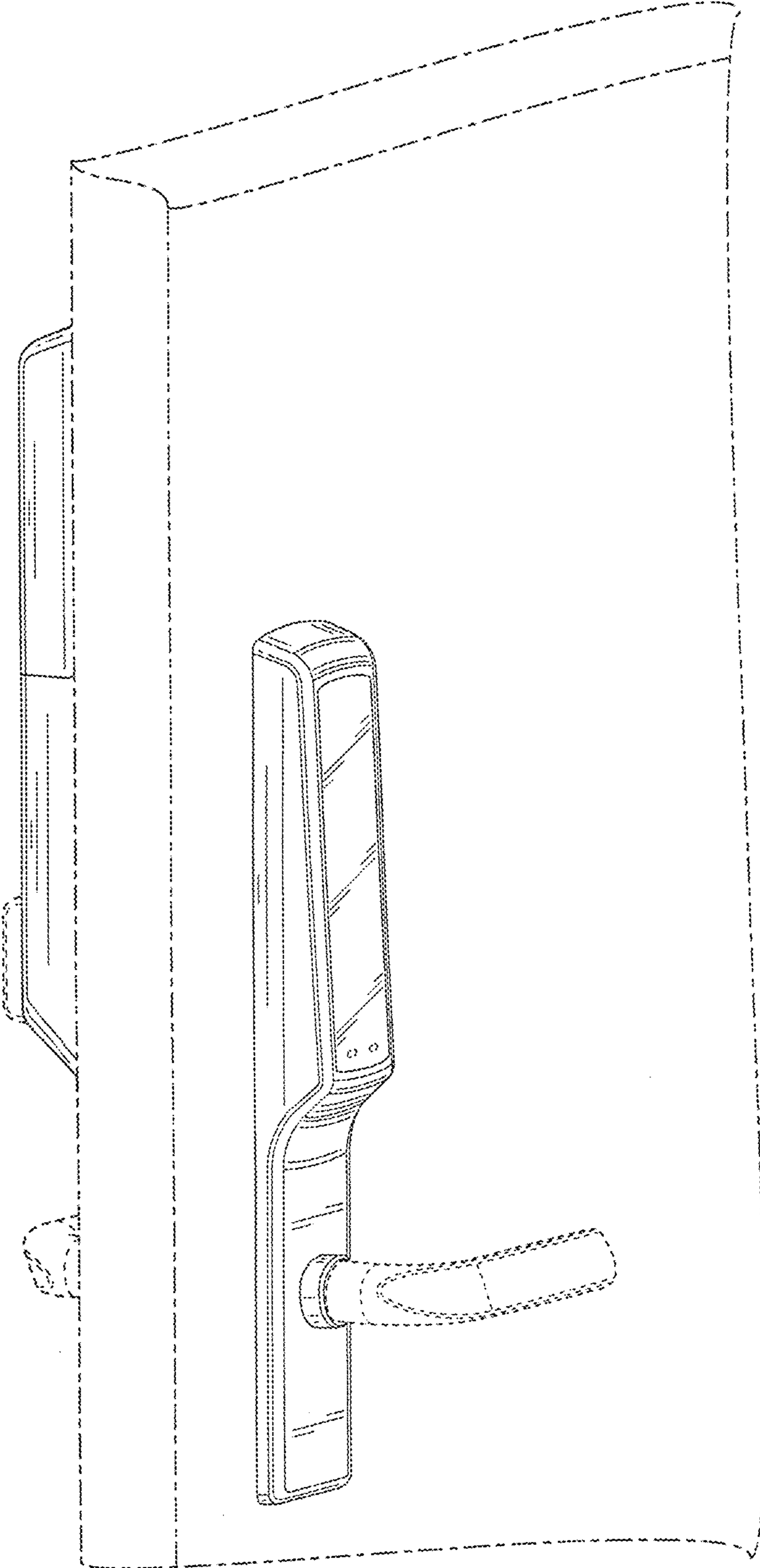


FIG. 11

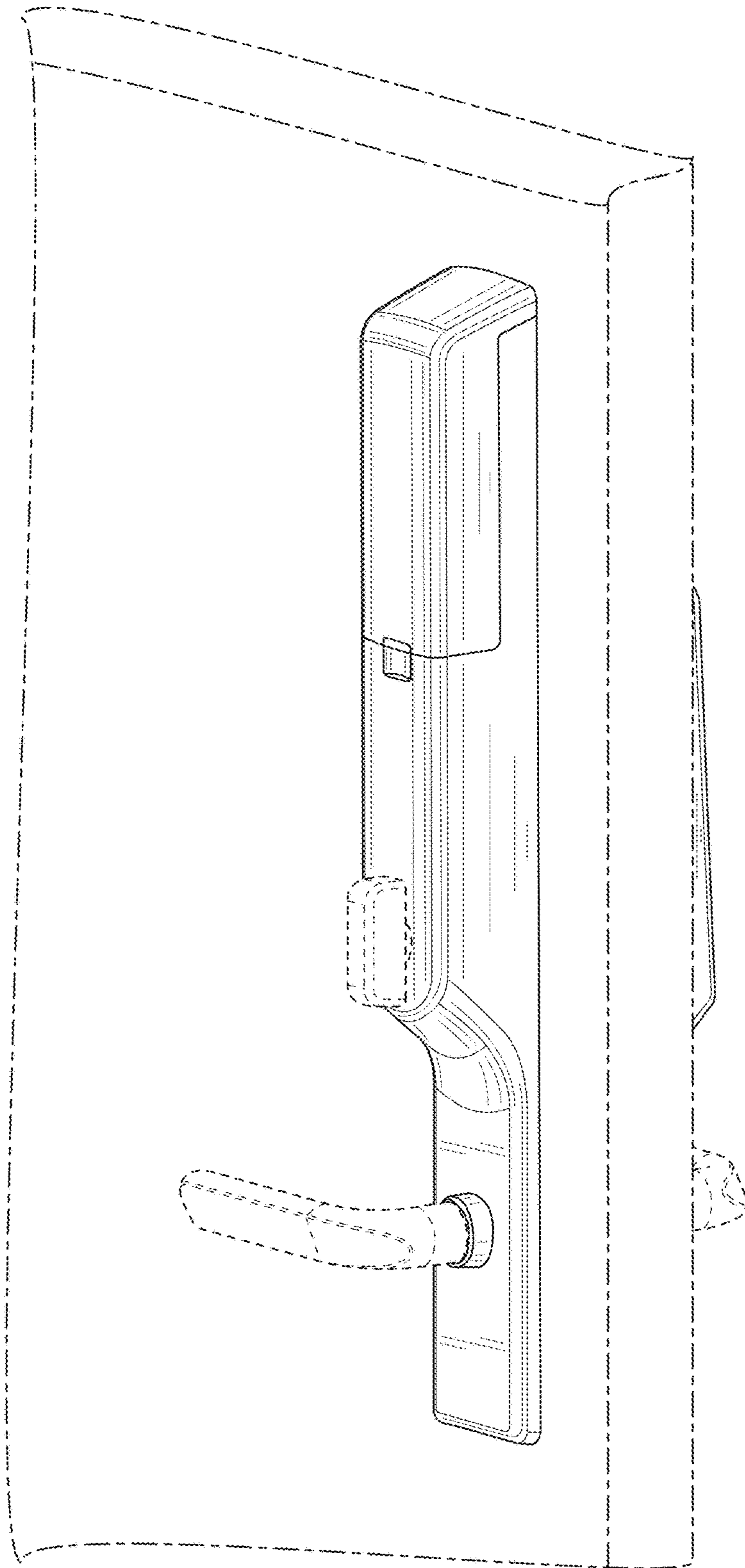


FIG. 12