



US00D868559S

(12) **United States Design Patent** (10) **Patent No.:** **US D868,559 S**
Liu (45) **Date of Patent:** **** Dec. 3, 2019**

(54) **FOLDING KNIFE HANDLE**
(71) Applicant: **Rapala VMC Corporation**, Helsinki (FI)
(72) Inventor: **Meng Da Liu**, Wan Chai (HK)
(73) Assignee: **Rapala VMC Corporation**, Helsinki (FI)

(**) Term: **15 Years**
(21) Appl. No.: **29/624,466**
(22) Filed: **Nov. 1, 2017**
(51) **LOC (12) Cl.** **08-03**
(52) **U.S. Cl.**
USPC **D8/99**
(58) **Field of Classification Search**
USPC D8/98, 99, 100, 105, 107; D22/118
CPC B26B 1/00; B26B 1/02; B26B 1/04; B26B 1/042; B26B 1/044; B26B 1/048; B26B 1/08; B26B 1/10
See application file for complete search history.

(56) **References Cited**
U.S. PATENT DOCUMENTS
D305,257 S * 12/1989 Bendickson D22/118
D558,295 S * 12/2007 Linn D22/118
D636,051 S * 4/2011 Freeman D22/118
D636,053 S * 4/2011 Freeman D22/118
D696,920 S * 1/2014 Cagampang D8/99
D807,143 S * 1/2018 Constantine D8/99

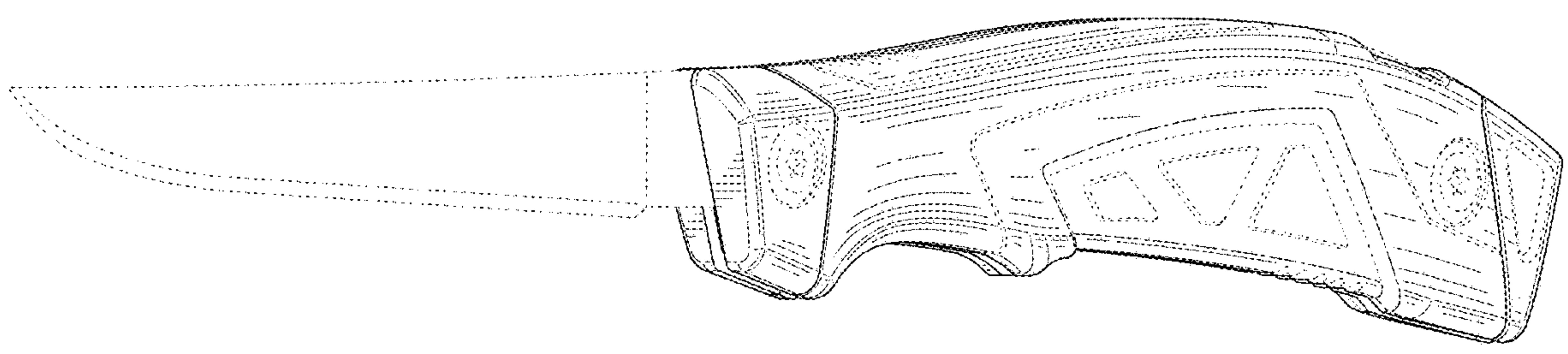
D807,723 S * 1/2018 Constantine D8/99
* cited by examiner
Primary Examiner — Philip S Hyder
(74) *Attorney, Agent, or Firm* — Dority & Manning, P.A.

(57) **CLAIM**
The ornamental design for a folding knife handle, as shown and described.

DESCRIPTION

FIG. 1 is a perspective view of the folding knife handle according to the present invention showing the knife blade (in dashed lines) in a cutting position;
FIG. 2 is the perspective view of the folding knife handle of FIG. 1 showing the knife blade (in dashed lines) in a folded position;
FIG. 3 is a front view of the folding knife handle of FIG. 1;
FIG. 4 is a rear side view of the folding knife handle of FIG. 1;
FIG. 5 is a side view of the folding knife handle of FIG. 1;
FIG. 6 is another side view of the folding knife handle of FIG. 1;
FIG. 7 is a top view of the folding knife handle of FIG. 1; and,
FIG. 8 is a bottom view of folding knife handle of FIG. 1. The broken lines, having an evenly dashed appearance, shown in FIGS. 1-8 represent portions of a folding knife and the folding knife handle that form no part of the claimed design. The broken lines, having a dot dash dot appearance, shown in FIGS. 1, 2, 5 and 6, represent a boundary between claimed and unclaimed matter.

1 Claim, 5 Drawing Sheets



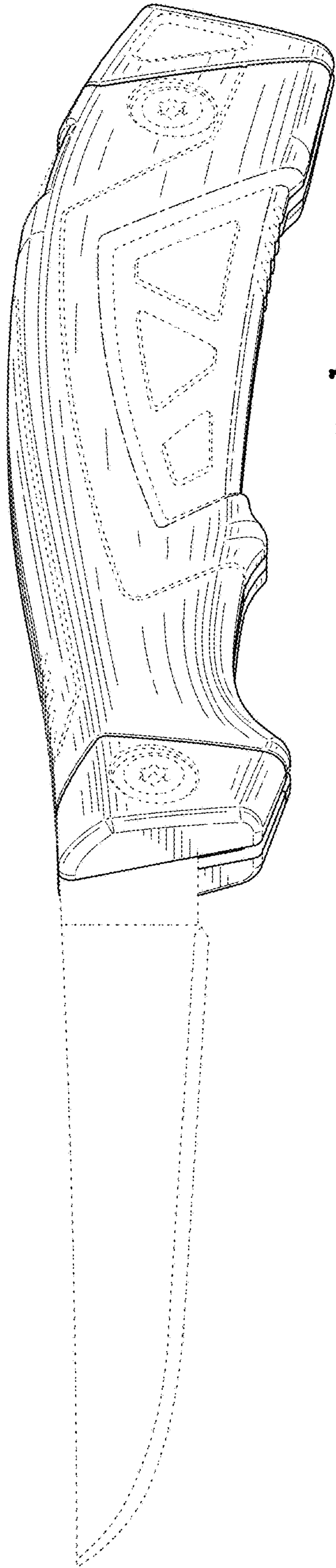


FIG. 1

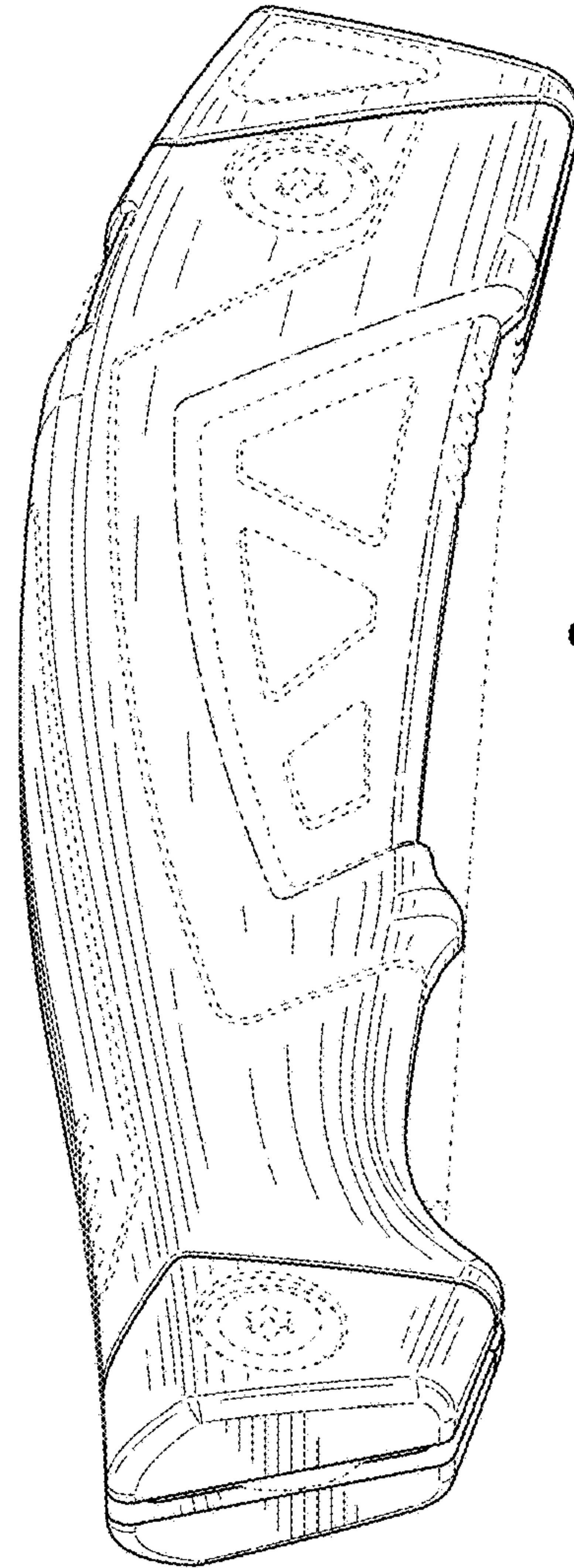


FIG. 2

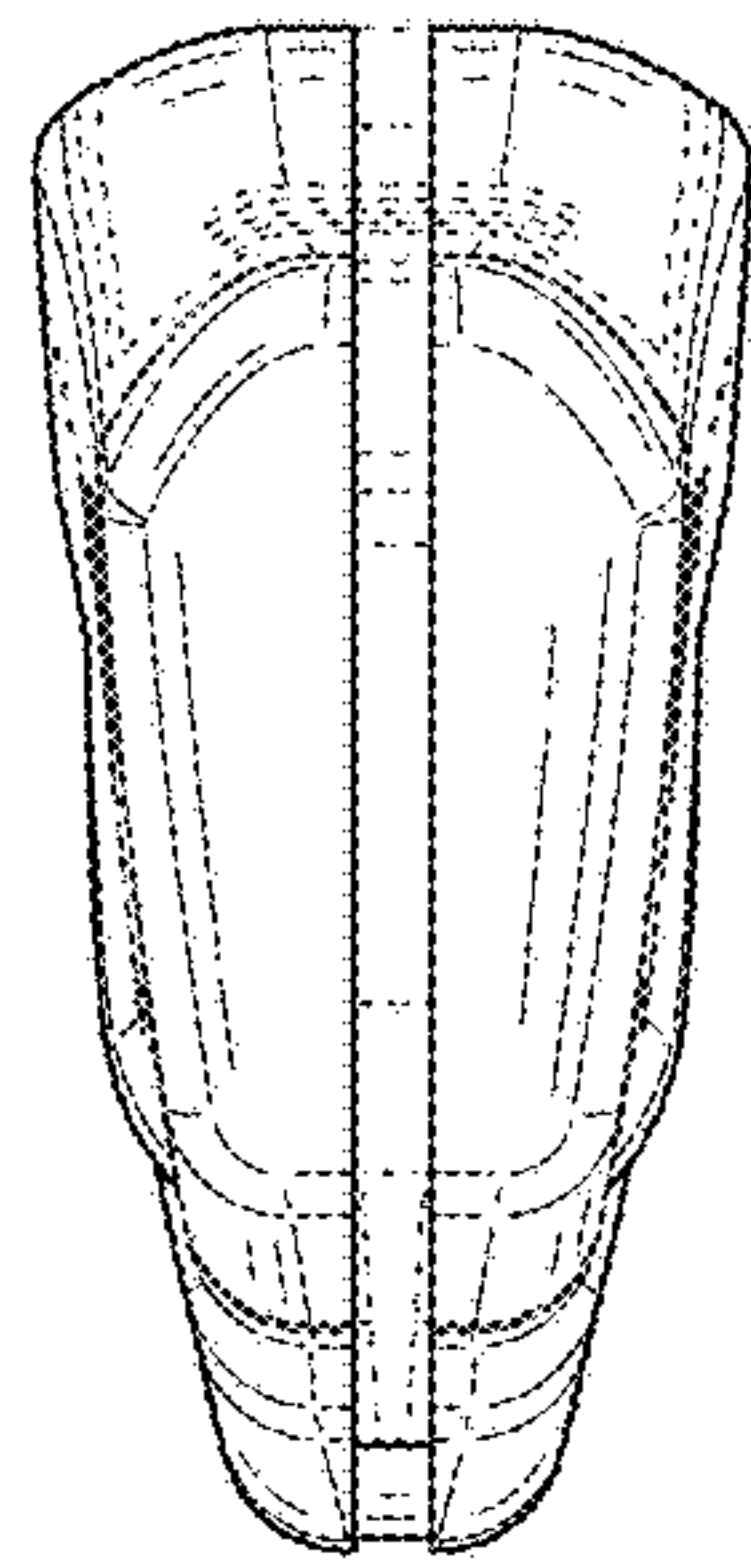


FIG. 3

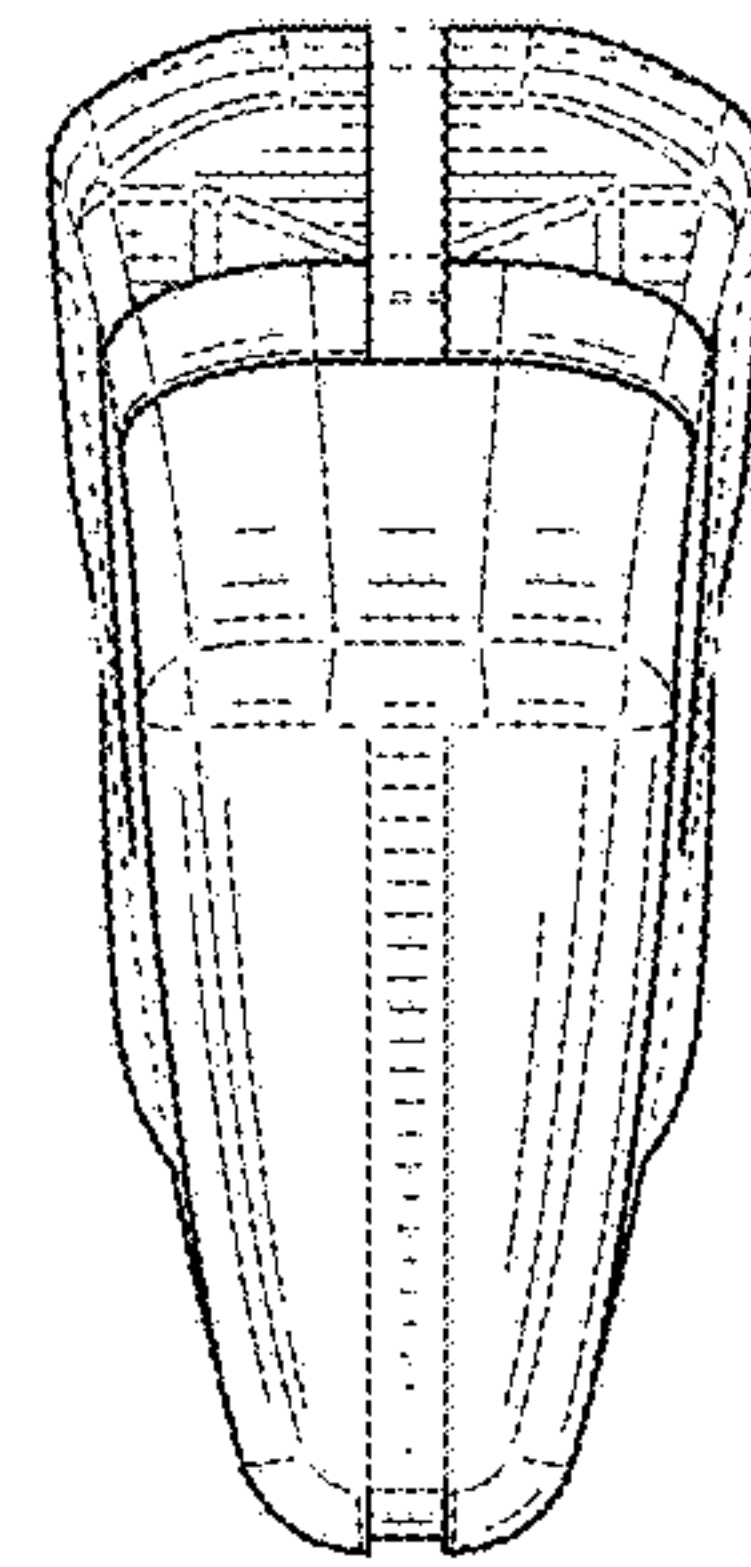


FIG. 4

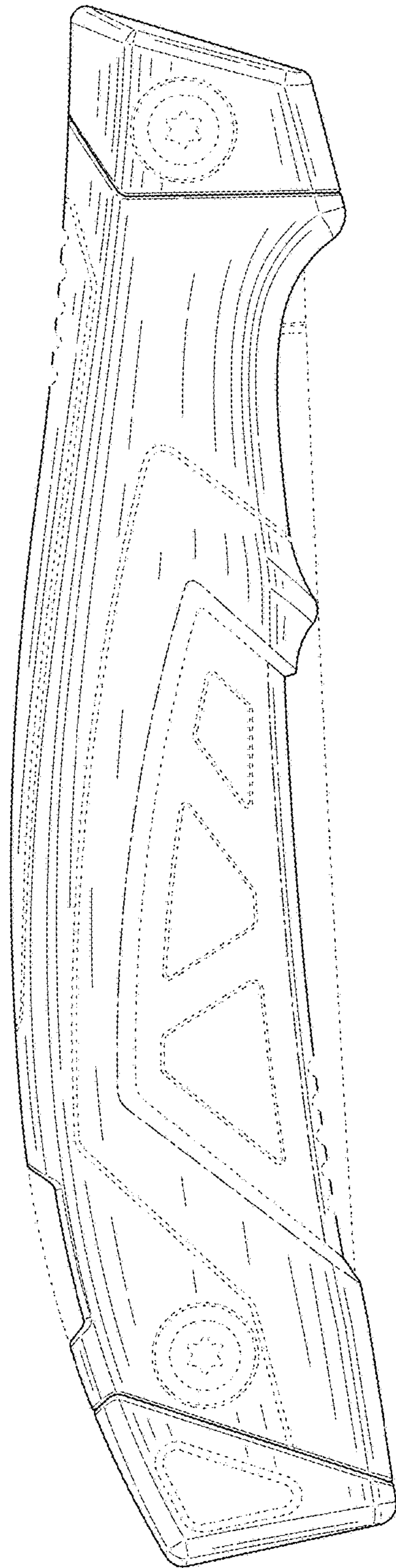


FIG. 5

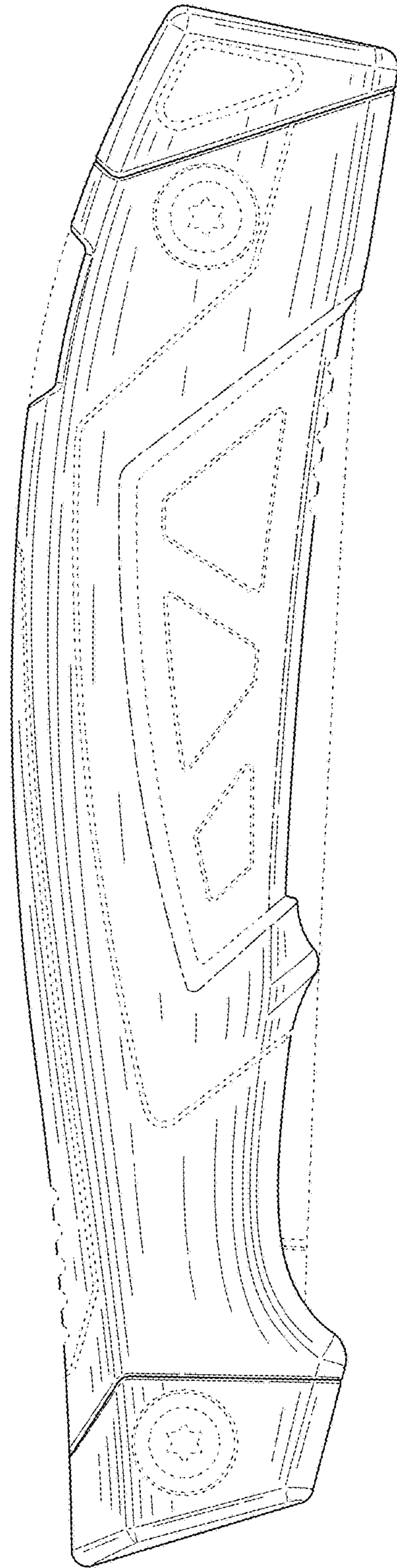


FIG. 6

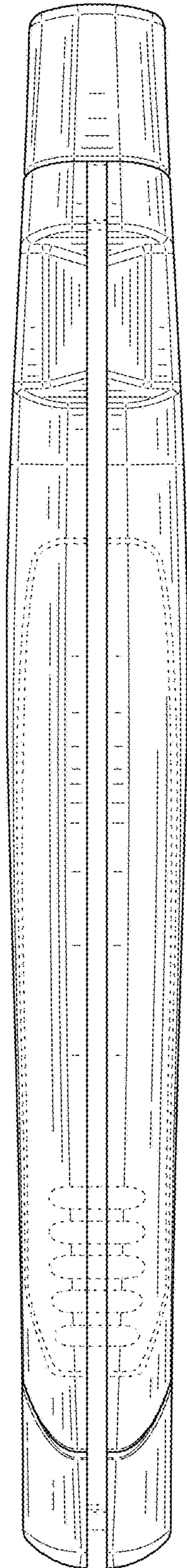


FIG. 7

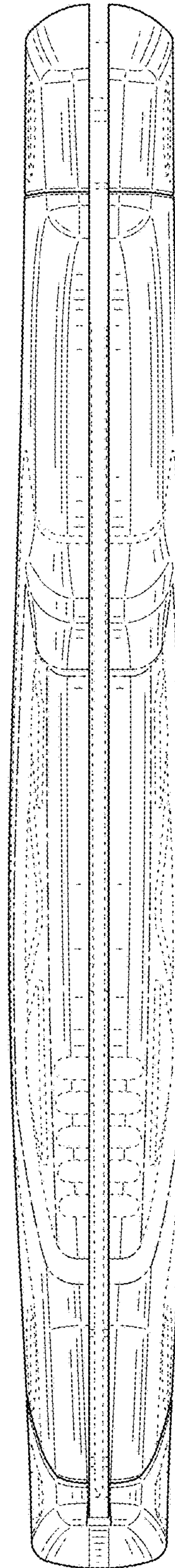


FIG. 8