

US00D868558S

(12) **United States Design Patent** (10) **Patent No.:** **US D868,558 S**  
**Hyma et al.** (45) **Date of Patent:** **\*\* Dec. 3, 2019**

(54) **HAMMER** 7,874,231 B2 \* 1/2011 Hanlon ..... B25D 1/12  
81/22

(71) Applicant: **Milwaukee Electric Tool Corporation,** D716,126 S \* 10/2014 Dahlberg ..... D8/75  
Brookfield, WI (US) 9,193,059 B2 \* 11/2015 Lombardi ..... B25G 1/10  
D747,943 S 1/2016 Hung

(72) Inventors: **Steven W. Hyma,** Milwaukee, WI D748,447 S 2/2016 Hung  
(US); **Alexander J. Paulsen,** D770,254 S \* 11/2016 Honadel ..... D8/75  
Milwaukee, WI (US) D770,255 S \* 11/2016 Honadel ..... D8/75  
D770,875 S \* 11/2016 Honadel ..... D8/75  
D777,549 S 1/2017 Hung

(73) Assignee: **Milwaukee Electric Tool Corporation,** D781,123 S 3/2017 Chen  
Brookfield, WI (US) D781,124 S 3/2017 Chen  
D789,760 S 6/2017 Hung  
D826,024 S \* 8/2018 Yu ..... D8/75

(\*\*) Term: **15 Years** 2014/0001426 A1 \* 1/2014 Lombardi ..... B25G 1/10  
254/26 R

(21) Appl. No.: **29/669,527** 2014/0165787 A1 6/2014 Lombardi

(22) Filed: **Nov. 8, 2018**

FOREIGN PATENT DOCUMENTS

TW D181364 2/2017

\* cited by examiner

*Primary Examiner* — Philip S Hyder  
(74) *Attorney, Agent, or Firm* — Reinhart Boerner Van Deuren s.c.

(57) **CLAIM**

We claim the ornamental design for a hammer, as shown and described.

**DESCRIPTION**

FIG. 1 is a perspective view of a hammer embodying our new design.  
FIG. 2 is a right side view of the hammer of FIG. 1.  
FIG. 3 is a left side view of the hammer of FIG. 1.  
FIG. 4 is a front view of the hammer of FIG. 1.  
FIG. 5 is a rear view of the hammer of FIG. 1.  
FIG. 6 is a top view of the hammer of FIG. 1; and,  
FIG. 7 is a bottom view of the hammer of FIG. 1.

**1 Claim, 5 Drawing Sheets**

**Related U.S. Application Data**

(62) Division of application No. 29/584,975, filed on Nov. 18, 2016, now Pat. No. Des. 837,021.

(51) **LOC (12) Cl.** ..... **08-02**

(52) **U.S. Cl.**  
USPC ..... **D8/75**

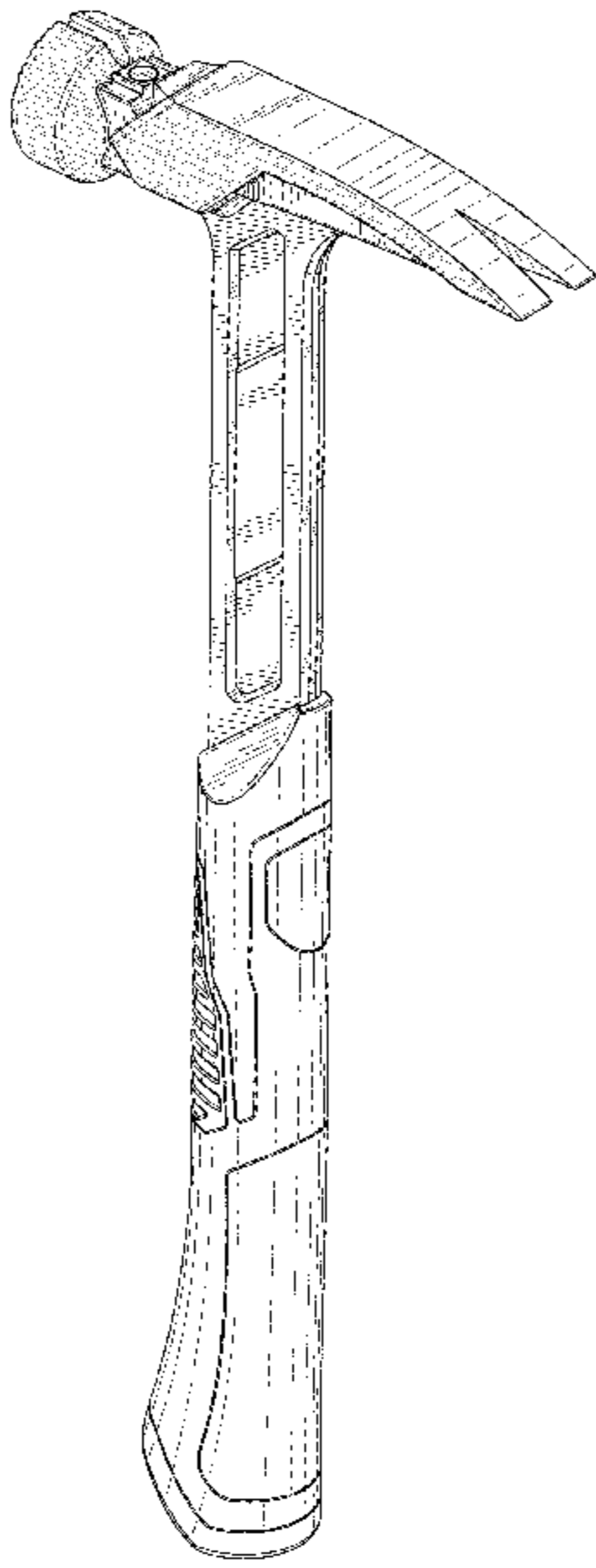
(58) **Field of Classification Search**  
USPC ..... D8/75, 76, 77, 78, 79, 80, 81, 105, 107  
CPC ... B25D 1/00; B25D 1/02; B25D 1/04; B25D 1/045; B25D 1/06; B25D 1/10; B25D 1/12; B25G 1/102

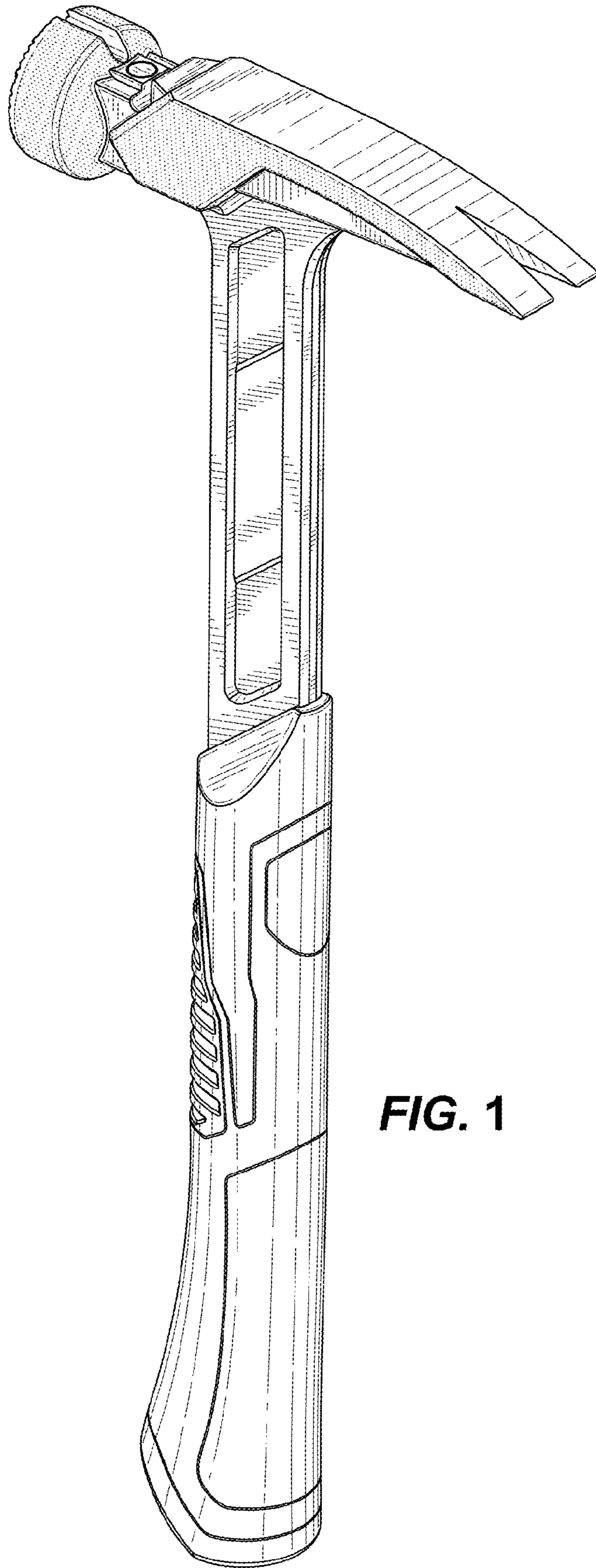
See application file for complete search history.

**References Cited**

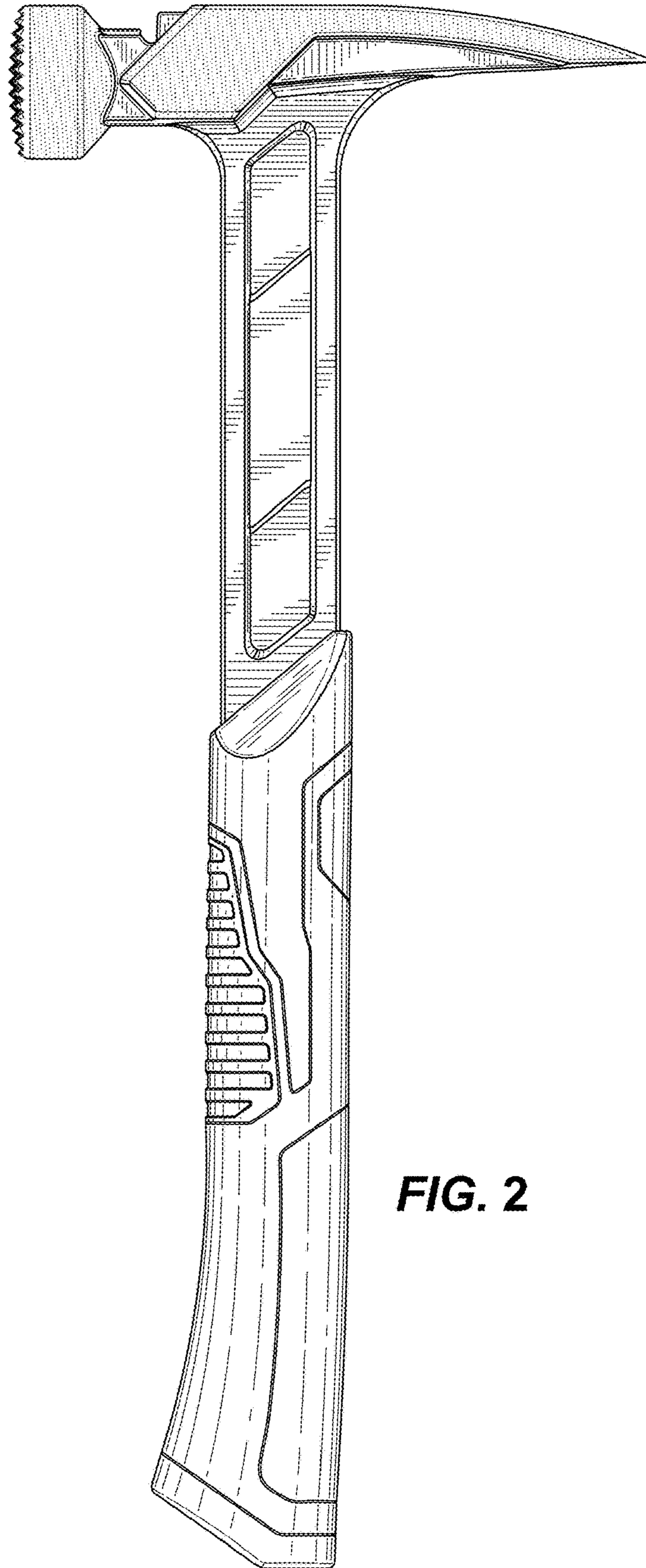
U.S. PATENT DOCUMENTS

D452,126 S 12/2001 Hung  
D470,380 S 2/2003 Huang  
D474,667 S 5/2003 Hung  
6,619,408 B1 9/2003 Lai  
D549,064 S \* 8/2007 Youngren ..... D8/75

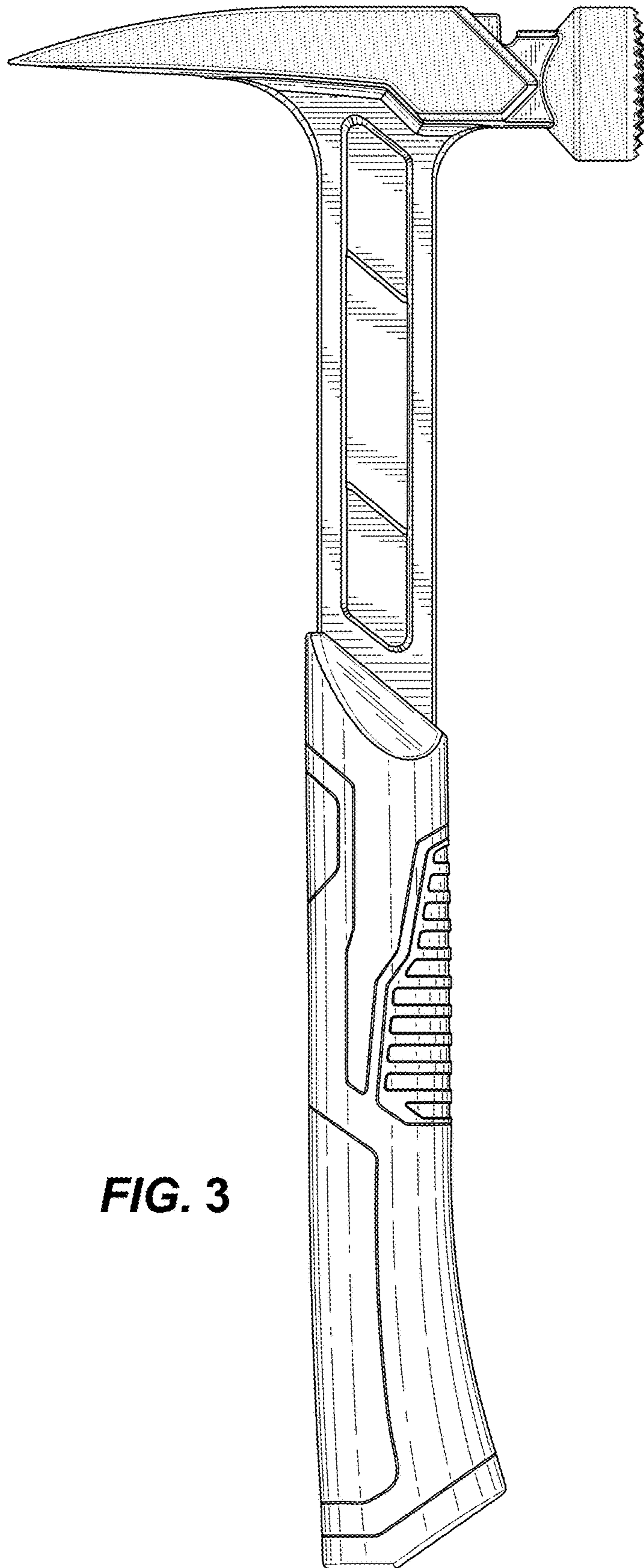




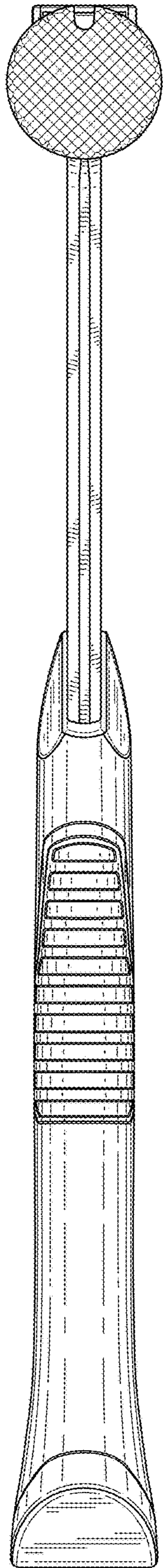
**FIG. 1**



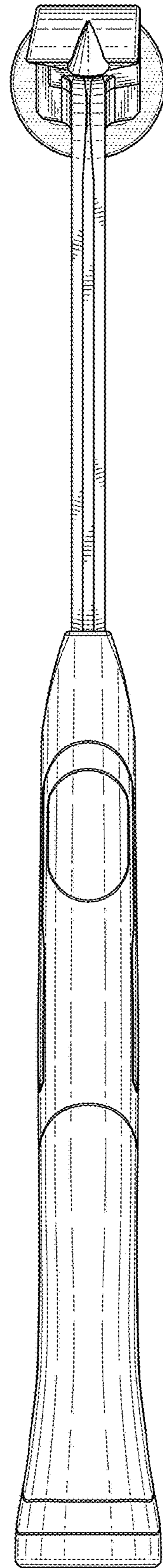
**FIG. 2**



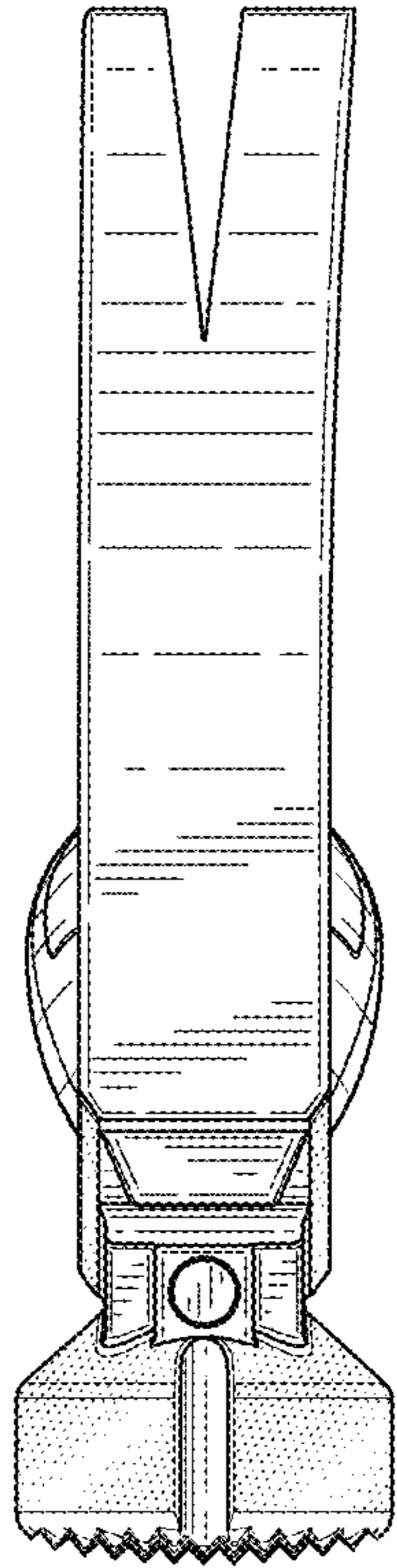
**FIG. 3**



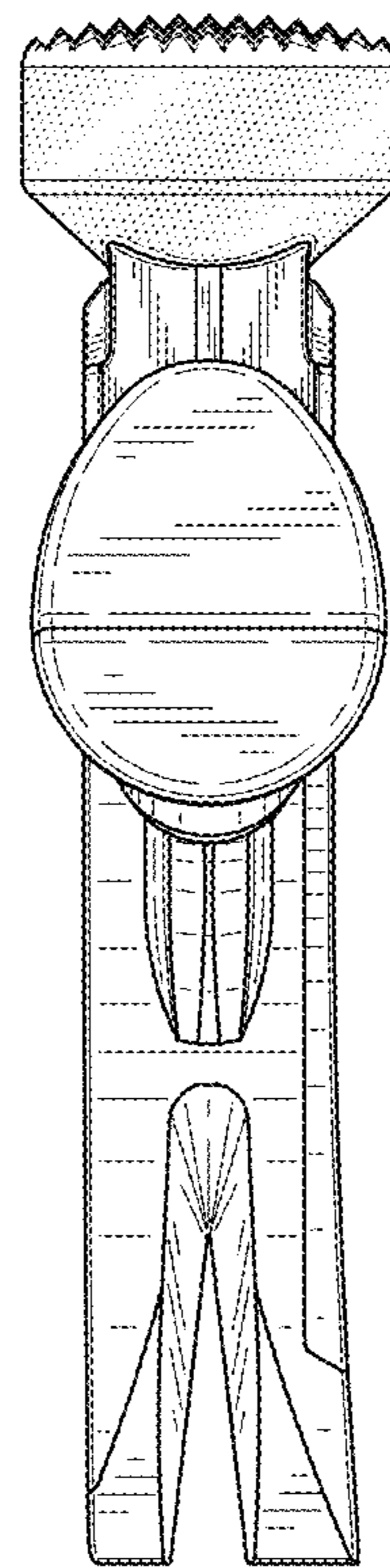
**FIG. 4**



**FIG. 5**



**FIG. 6**



**FIG. 7**