



US00D868557S

(12) **United States Design Patent**
Lin

(10) **Patent No.:** **US D868,557 S**
(45) **Date of Patent:** **** Dec. 3, 2019**

- (54) **CHAIN CONNECTOR**
- (71) Applicant: **Chia He Lin**, Taichung (TW)
- (72) Inventor: **Chia He Lin**, Taichung (TW)
- (**) Term: **15 Years**
- (21) Appl. No.: **29/667,249**
- (22) Filed: **Oct. 19, 2018**
- (51) **LOC (12) Cl.** **08-05**
- (52) **U.S. Cl.**
USPC **D8/72**
- (58) **Field of Classification Search**
USPC D8/71-74, 394-399, 59; 248/63, 72,
248/74.1, 689, 124.2; 81/487, 385, 386,
81/388-390; 269/3, 4, 6, 143, 165, 240,
269/243, 246-249, 254 R, 147-149;
29/256, 257, 276; 408/103, 104-109
CPC B25B 1/00; B25B 5/00
See application file for complete search history.

(56) **References Cited**

U.S. PATENT DOCUMENTS

- 4,691,907 A * 9/1987 Yang B25B 5/003
269/152
- 5,138,917 A * 8/1992 Kirschner B25B 5/101
81/164
- D358,538 S * 5/1995 Cote D8/73
- D413,429 S * 9/1999 Carson D3/10
- D485,739 S * 1/2004 Carrico D8/73
- D489,241 S * 5/2004 Parham D8/73

- 7,124,477 B2 * 10/2006 Boland A44B 15/00
24/116 A
- 7,216,472 B1 * 5/2007 Wang B21L 9/02
474/206
- 8,683,935 B2 * 4/2014 Bauduin B63B 21/502
114/230.1
- 8,820,258 B2 * 9/2014 Bauduin B63B 21/18
114/200
- 8,967,913 B2 * 3/2015 Lajugie B63B 21/10
114/230.12
- D760,052 S * 6/2016 Blood D8/71
- D851,485 S * 6/2019 Veilleux D8/394

* cited by examiner

Primary Examiner — David G Muller

(74) *Attorney, Agent, or Firm* — Wang Law Firm, Inc.

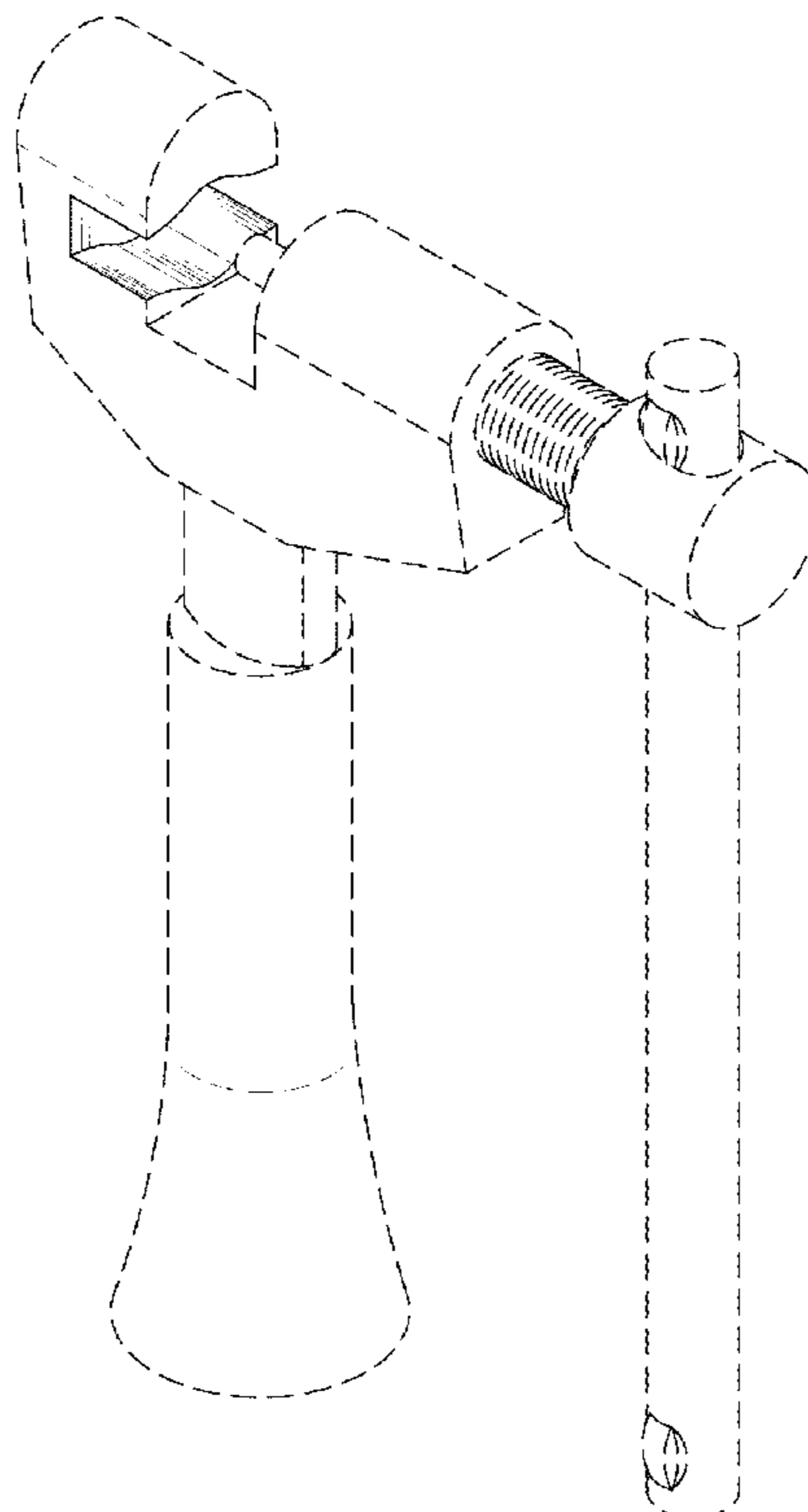
(57) **CLAIM**

The ornamental design for a chain connector, as shown.

DESCRIPTION

FIG. 1 is a perspective view of a chain connector in accordance with the present invention;
 FIG. 2 is a front elevation view thereof;
 FIG. 3 is a rear elevation view thereof;
 FIG. 4 is a left side elevation view thereof;
 FIG. 5 is a right side elevation view thereof;
 FIG. 6 is a top plan view thereof;
 FIG. 7 is a bottom plan view thereof; and,
 FIG. 8 is a sectional view taken along line 8-8 of FIG. 2.
 The broken line showing of the chain connector illustrates environment and forms no part of the claimed design.

1 Claim, 8 Drawing Sheets



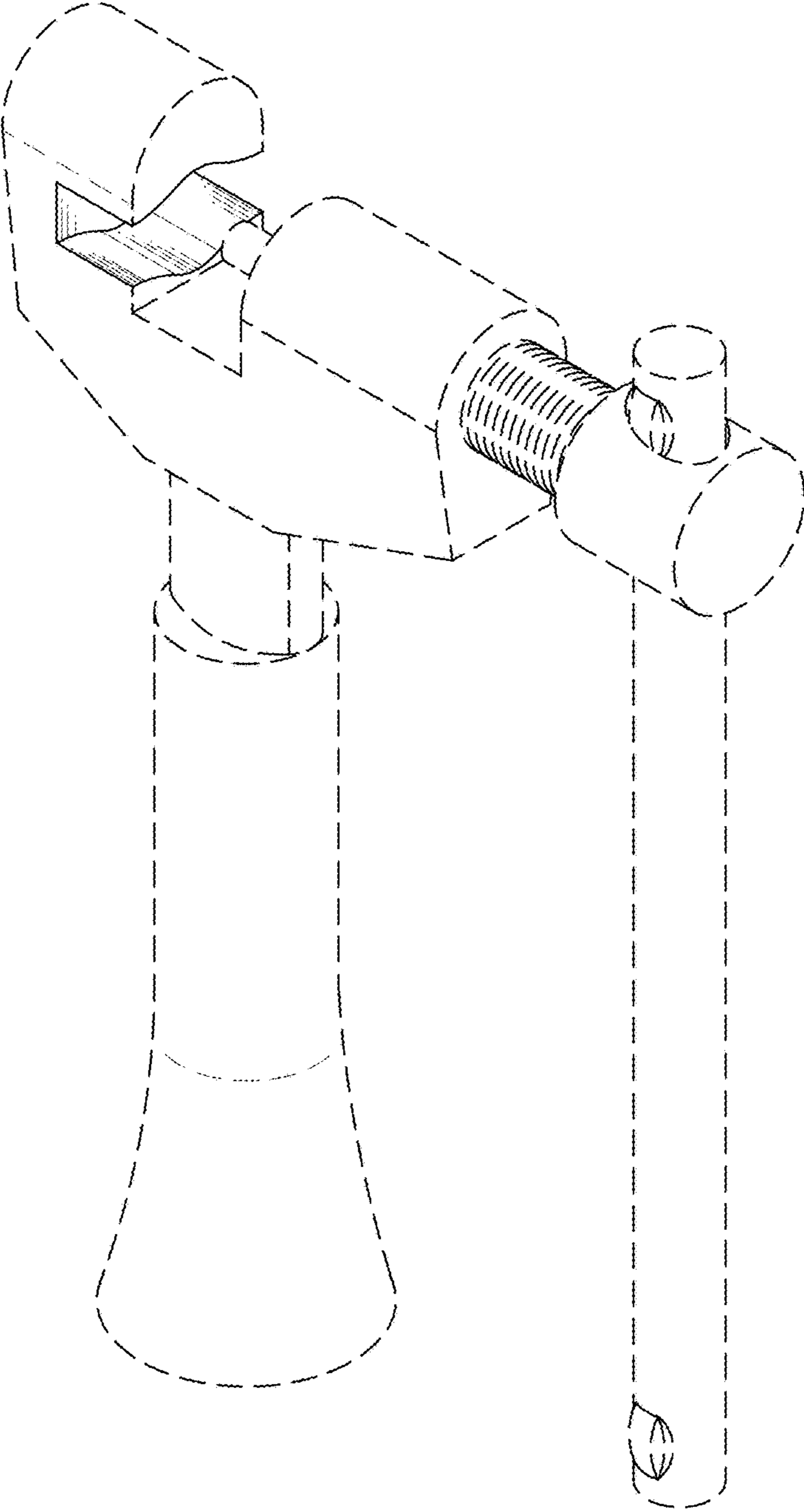


FIG.1

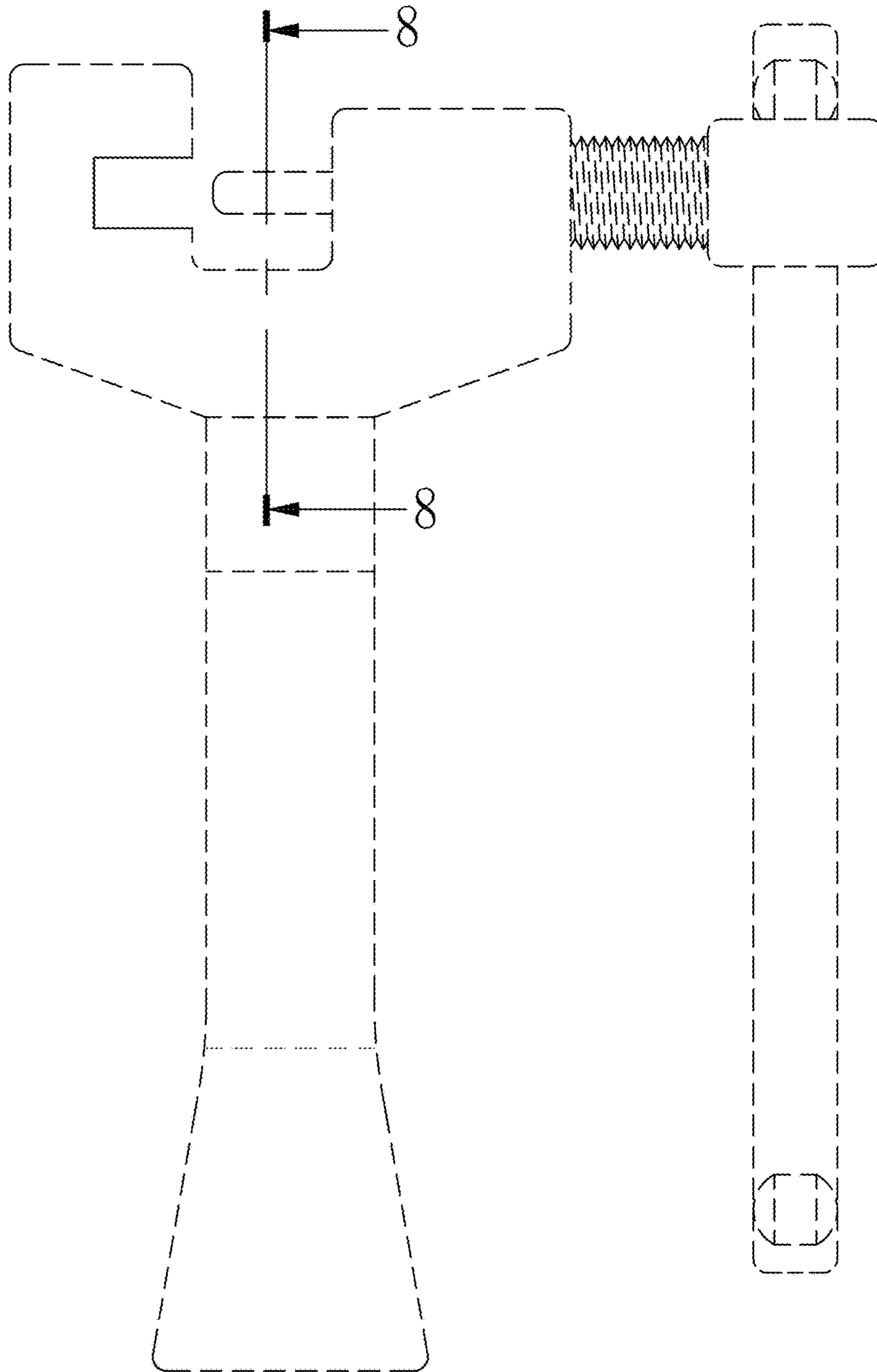


FIG.2

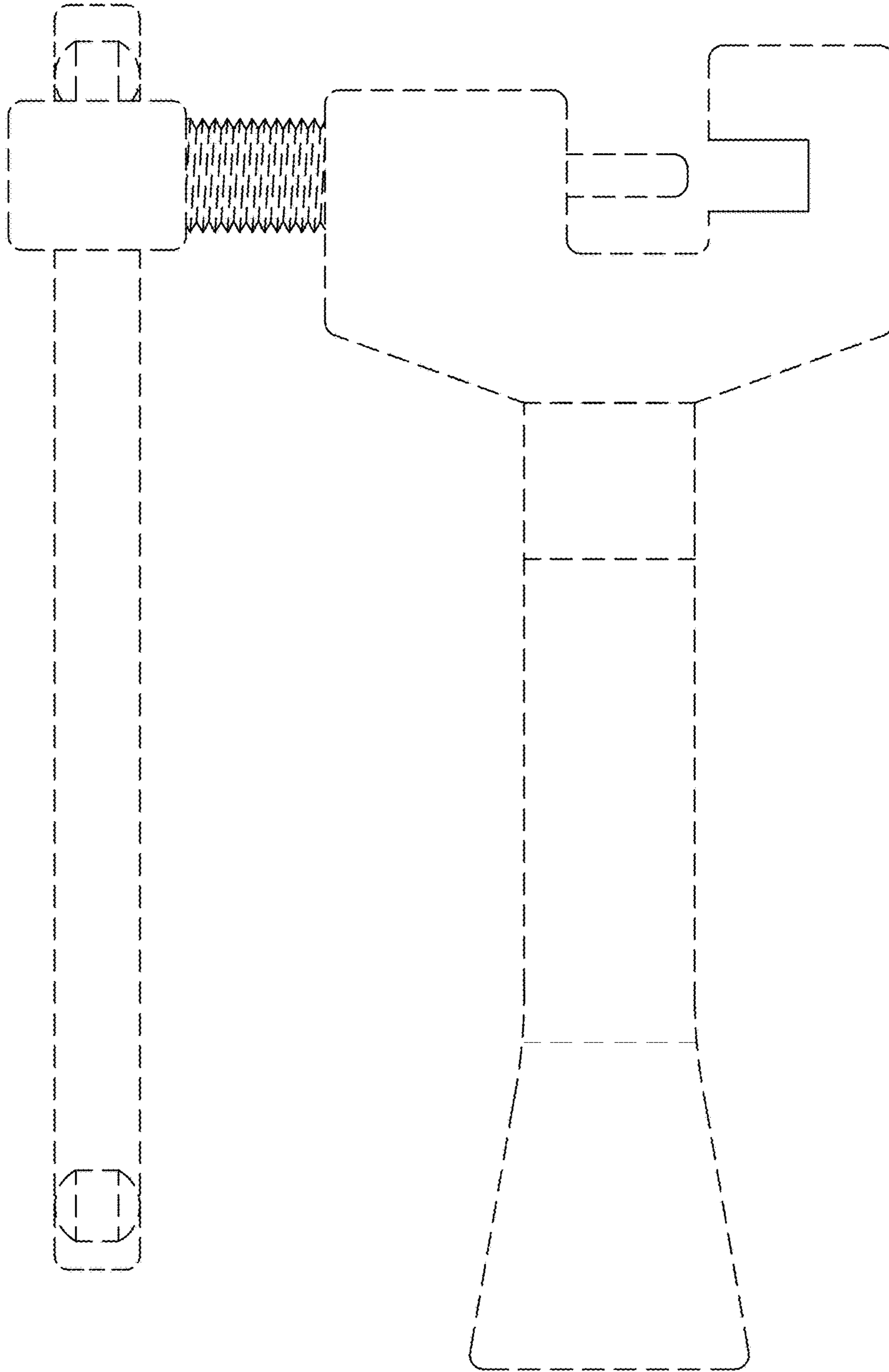


FIG.3

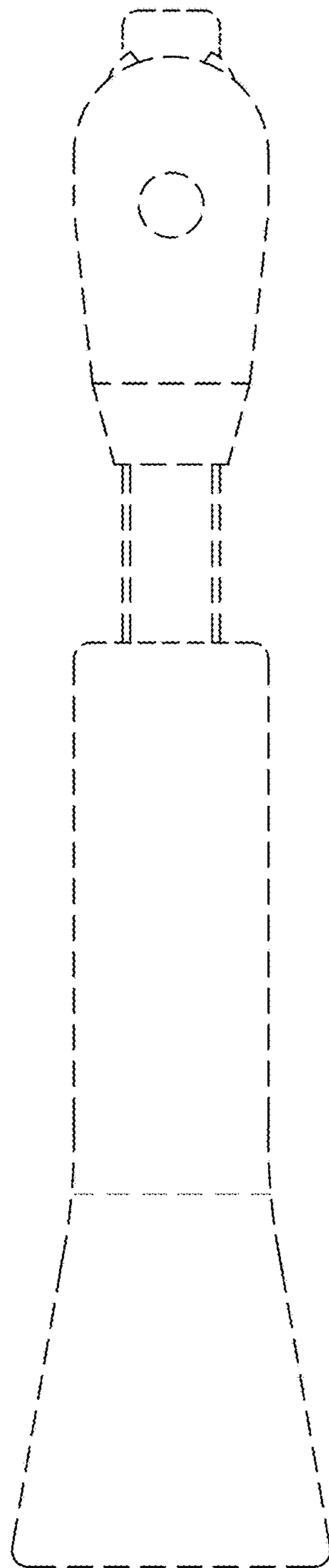


FIG. 4

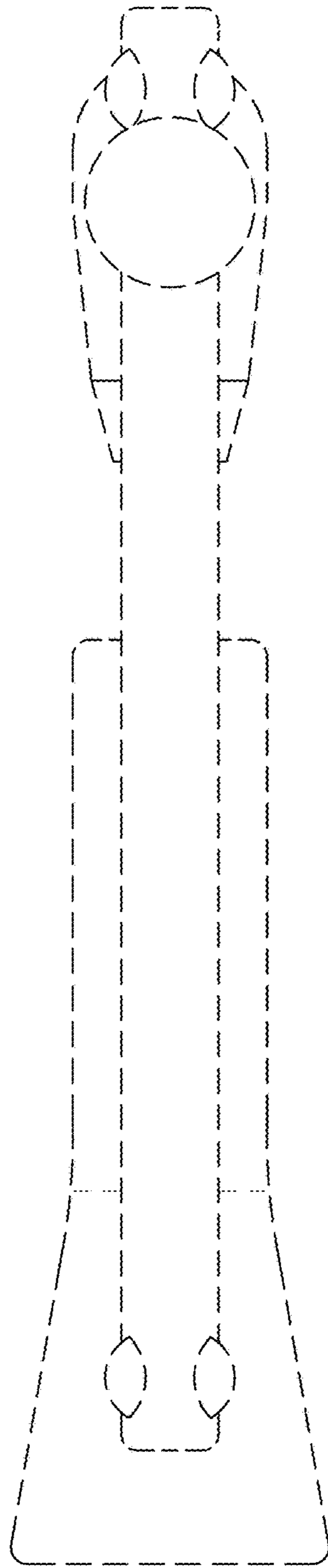


FIG.5

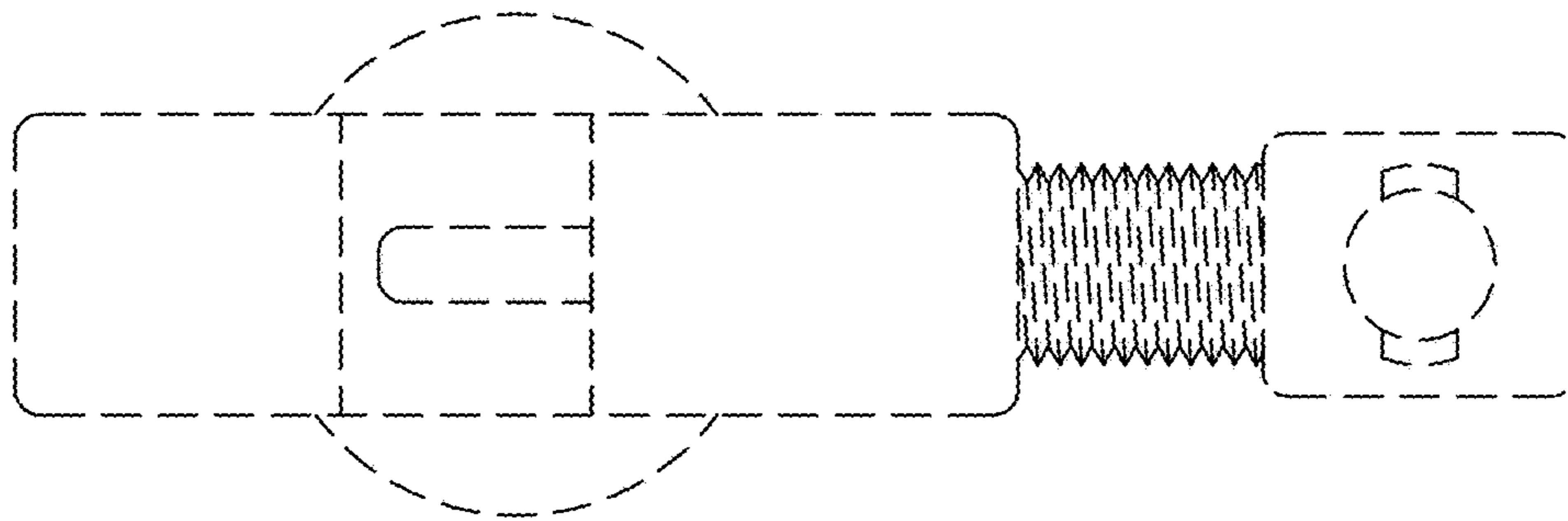


FIG.6

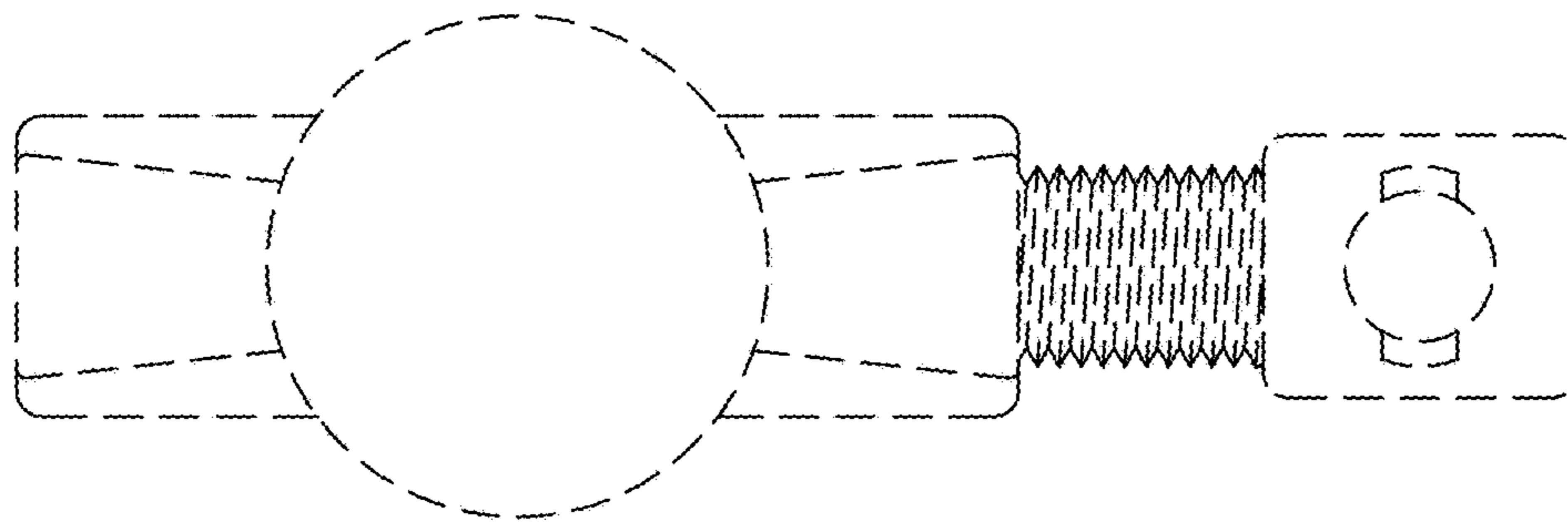


FIG. 7

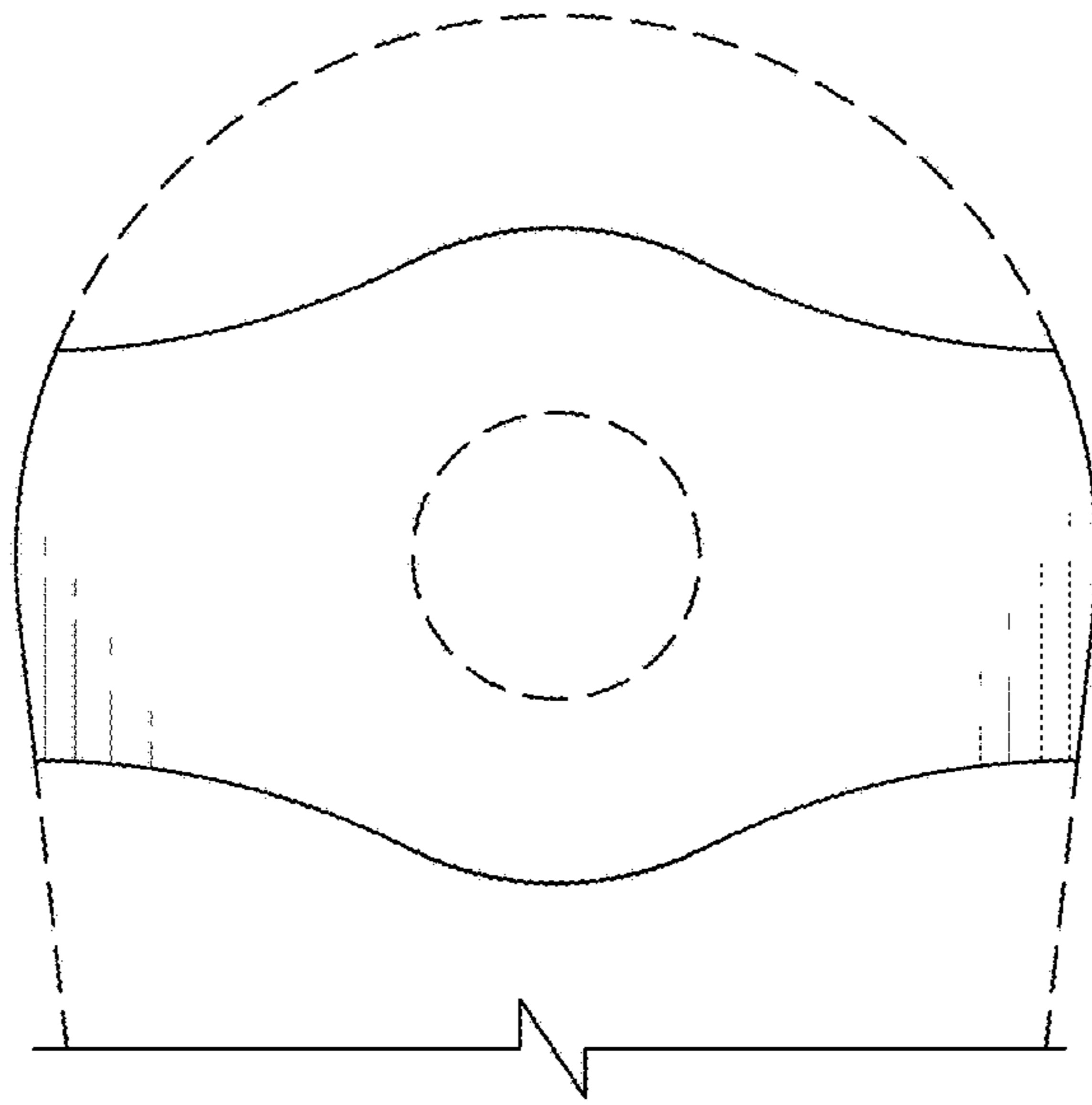


FIG. 8