



US00D868556S

(12) **United States Design Patent**
Nafso

(10) **Patent No.:** **US D868,556 S**

(45) **Date of Patent:** **** Dec. 3, 2019**

(54) **CLIP**

(71) Applicant: **Timothy Robert Nafso**, Northville, MI (US)

(72) Inventor: **Timothy Robert Nafso**, Northville, MI (US)

(**) Term: **15 Years**

(21) Appl. No.: **29/663,400**

(22) Filed: **Sep. 14, 2018**

(51) **LOC (12) Cl.** **08-05**

(52) **U.S. Cl.**
USPC **D8/72**

(58) **Field of Classification Search**
USPC D8/71-74, 395, 396; D15/140;
D24/143; D6/684; D7/683, 685, 686
CPC B25B 1/00; B25B 5/00; B25B 1/2478;
B25B 1/103; B25B 1/22; B25B 1/2405;
B25B 1/2457

See application file for complete search history.

(56) **References Cited**

U.S. PATENT DOCUMENTS

D399,729 S *	10/1998	Chen	D8/395
6,000,686 A *	12/1999	Yates	B25B 5/12 269/143
D470,029 S *	2/2003	Wolff	D8/72
D473,776 S *	4/2003	Hopper	D8/72
D485,481 S *	1/2004	Wolff	D8/72
D491,433 S *	6/2004	Noniewicz	D8/52
D514,914 S *	2/2006	Degen	D8/72

D514,915 S *	2/2006	Wang	D8/72
8,286,954 B2 *	10/2012	Zheng	B25B 5/06 269/188
D720,973 S *	1/2015	Castrigno	D8/14.1
D725,449 S *	3/2015	Castrigno	D8/14.1
D750,462 S *	3/2016	Noniewicz	D8/72
D796,626 S *	9/2017	Grayson	D22/150
D830,809 S *	10/2018	Kuo	D8/72
2003/0116686 A1 *	6/2003	Noniewicz	B25B 5/06 248/231.51
2005/0077666 A1 *	4/2005	Chang	B25B 7/02 269/6
2006/0208407 A1 *	9/2006	Wang	B25B 5/06 269/6

* cited by examiner

Primary Examiner — John Windmuller

(74) *Attorney, Agent, or Firm* — George T. Schooff;
Butzel Long

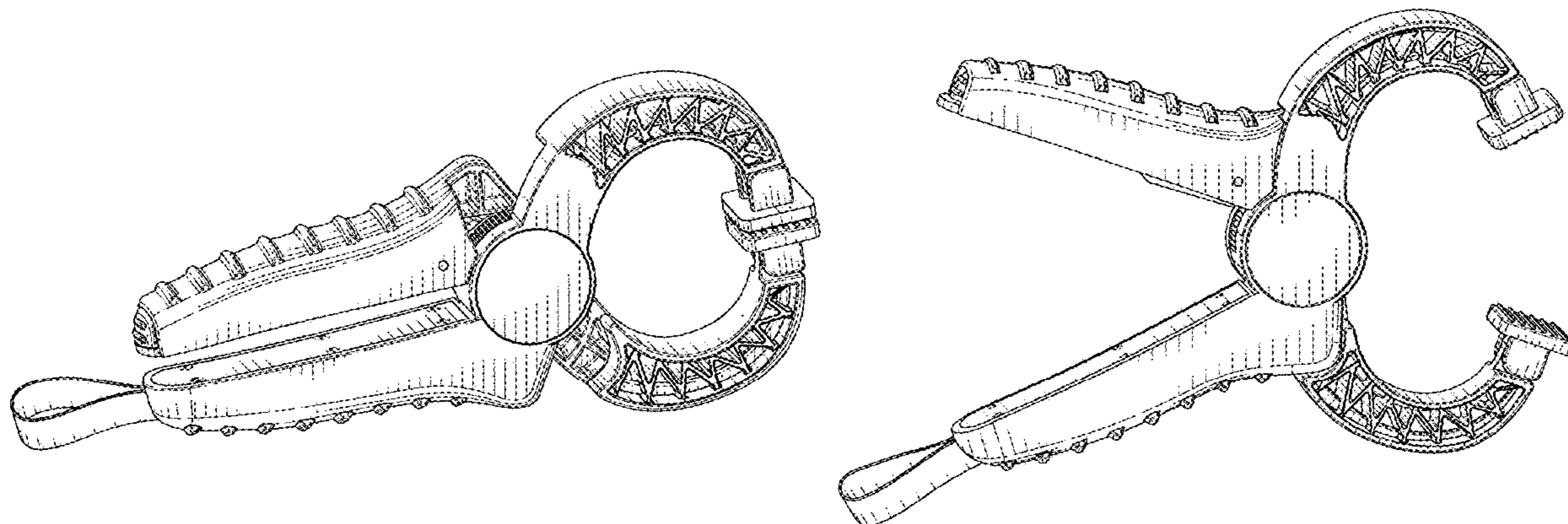
(57) **CLAIM**

I claim the ornamental design for a clip, as shown and described.

DESCRIPTION

FIG. 1 is a right side perspective view of a new clip design; FIG. 2 is a left side perspective view of the clip design; FIG. 3 is a right side perspective view of the clip design; FIG. 4 is a left side view of the clip design; FIG. 5 is a right side view of the clip design; FIG. 6 is a bottom view of the clip design; FIG. 7 is a top view of the clip design; FIG. 8 is a front view of the clip design; FIG. 9 is a rear view of the clip design; and, FIG. 10 is a right side perspective view of the clip design.

1 Claim, 8 Drawing Sheets



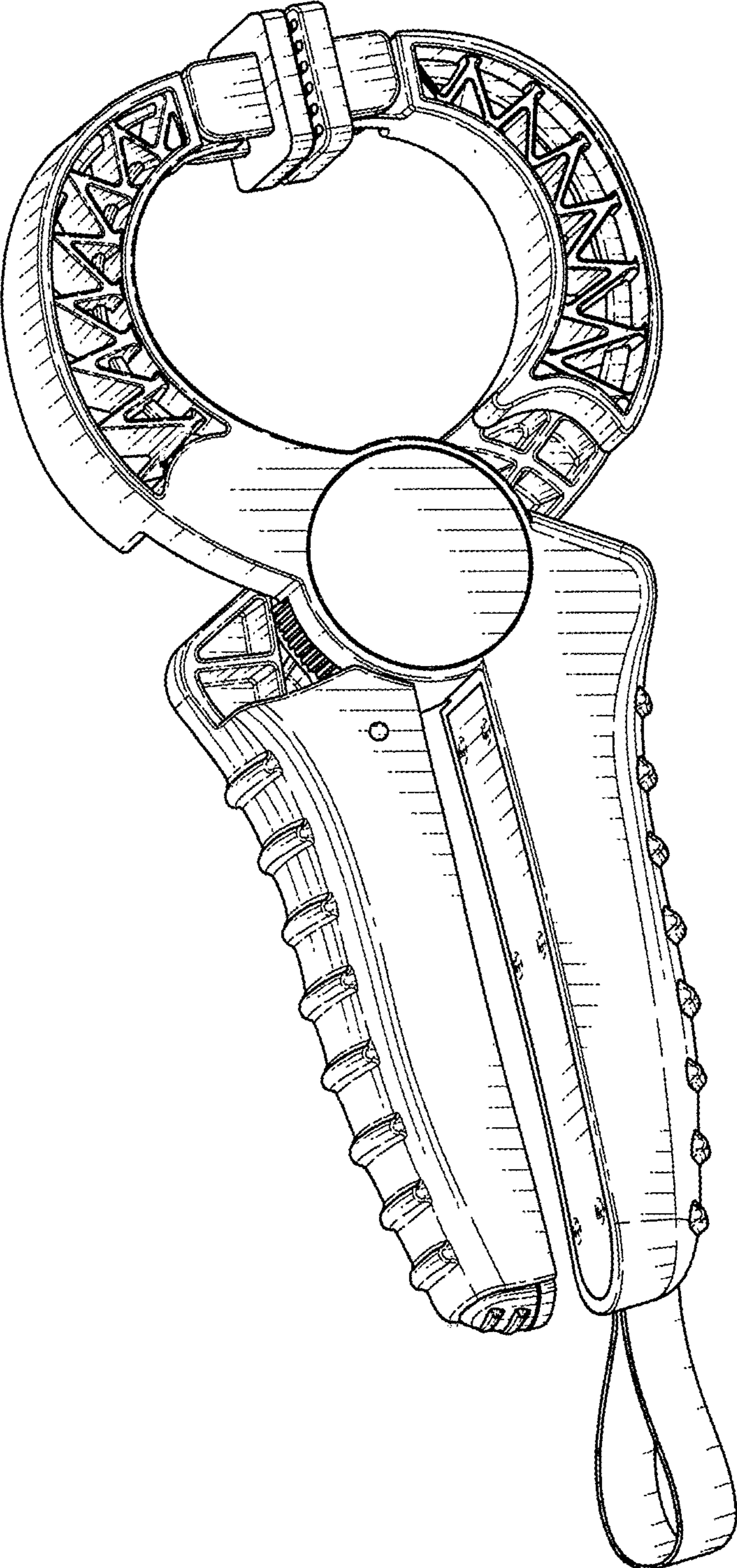


FIG. 1

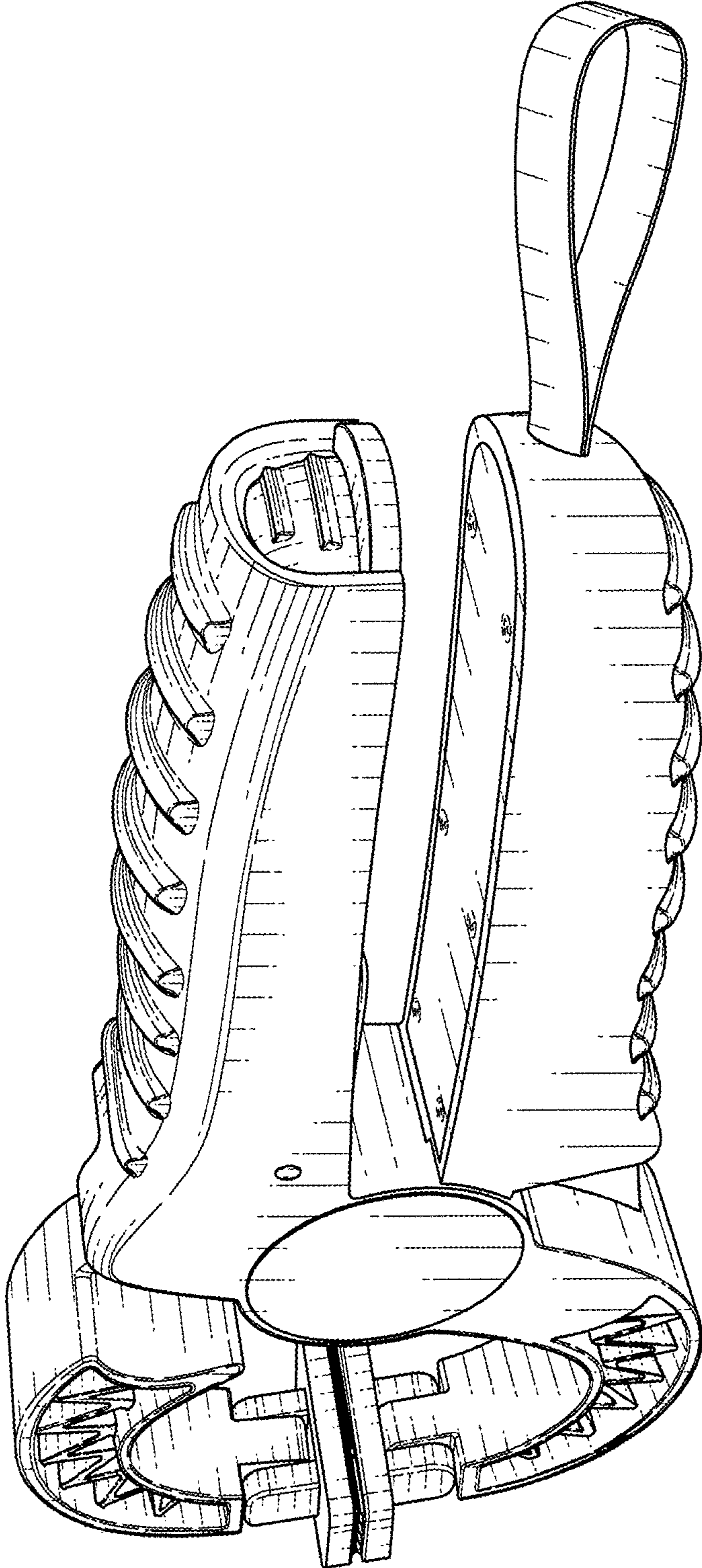


FIG. 2

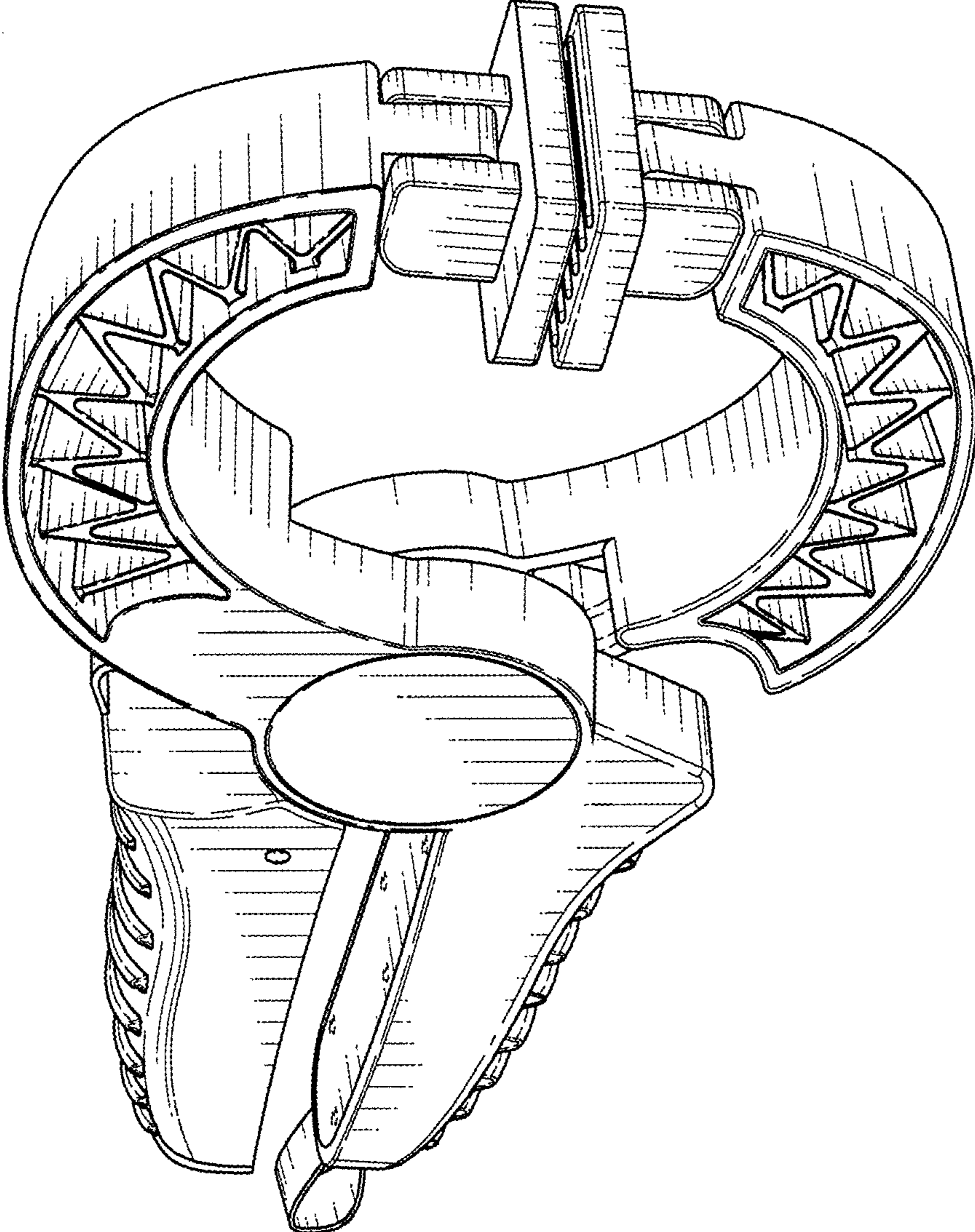


FIG. 3

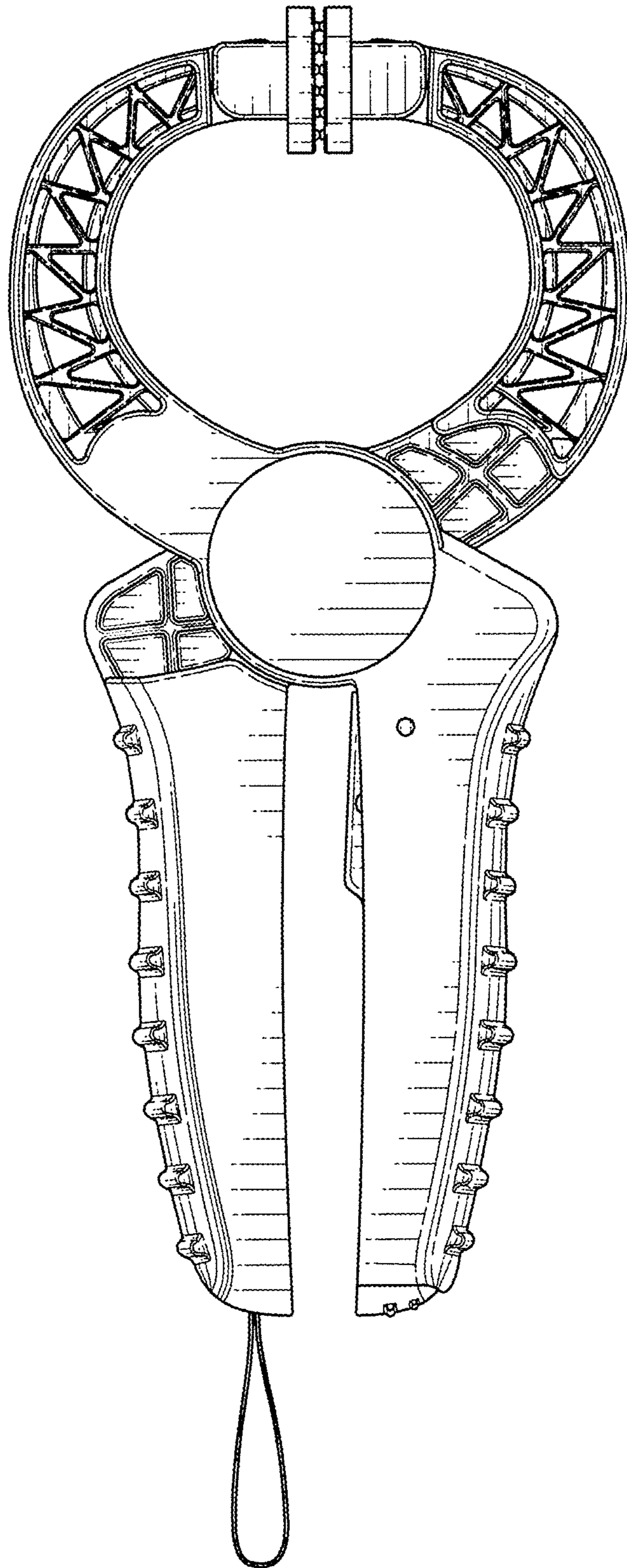


FIG. 4

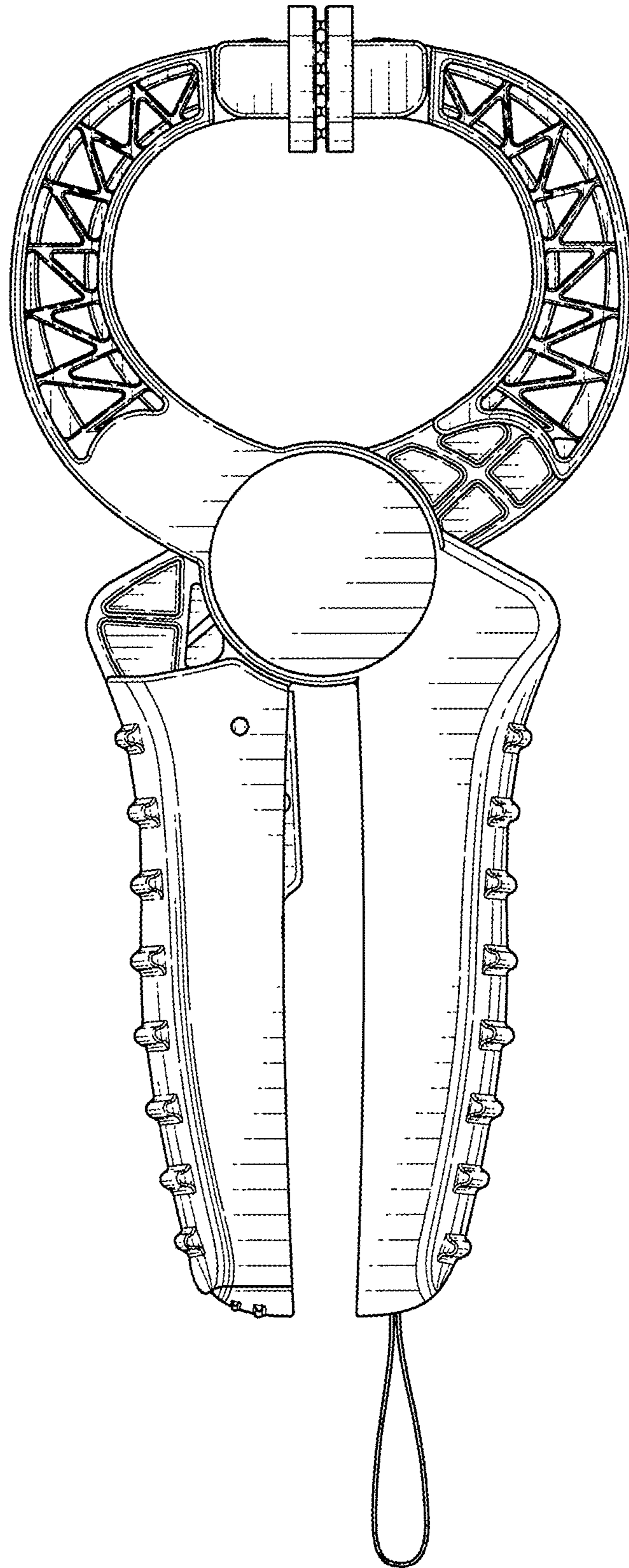


FIG. 5

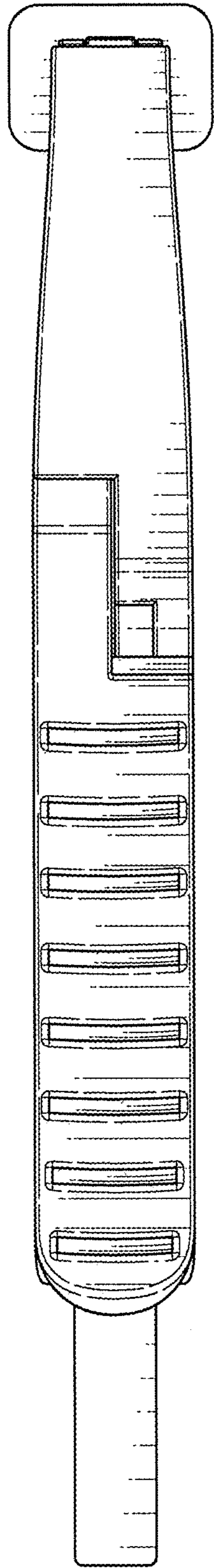


FIG. 6

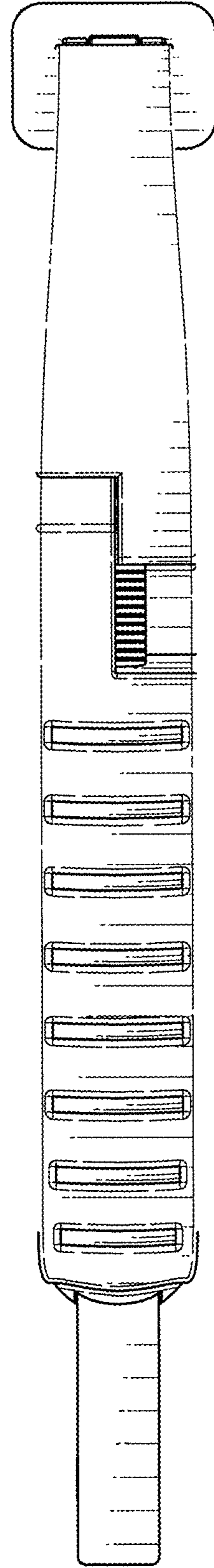


FIG. 7

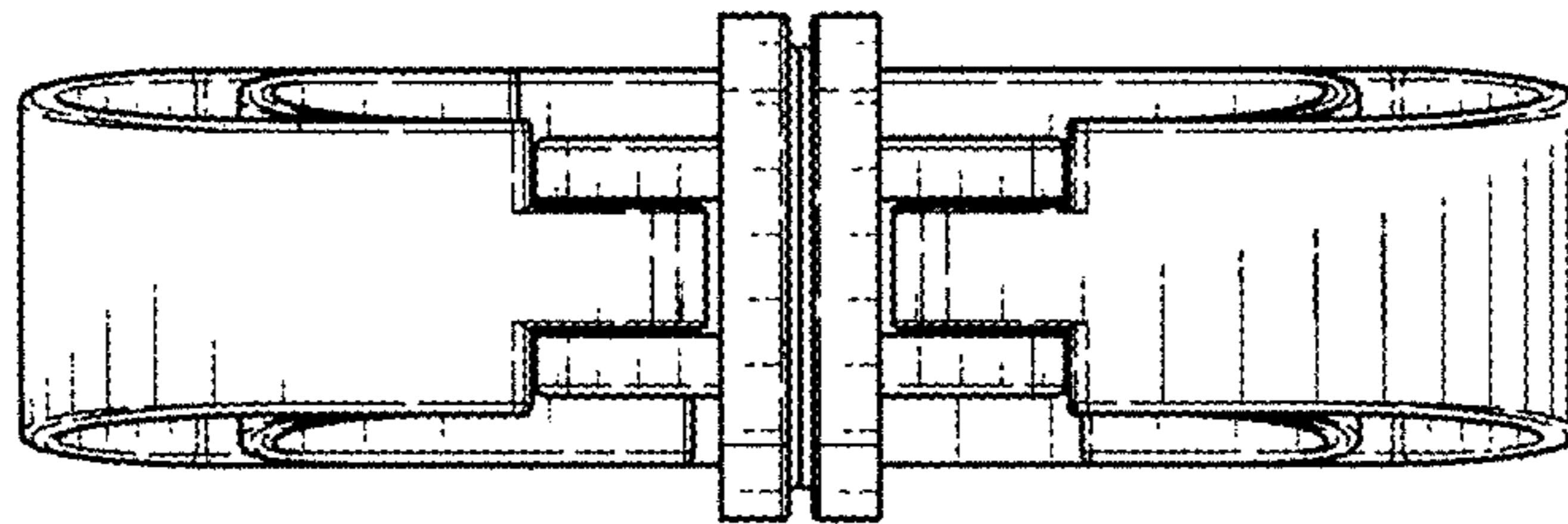


FIG. 8

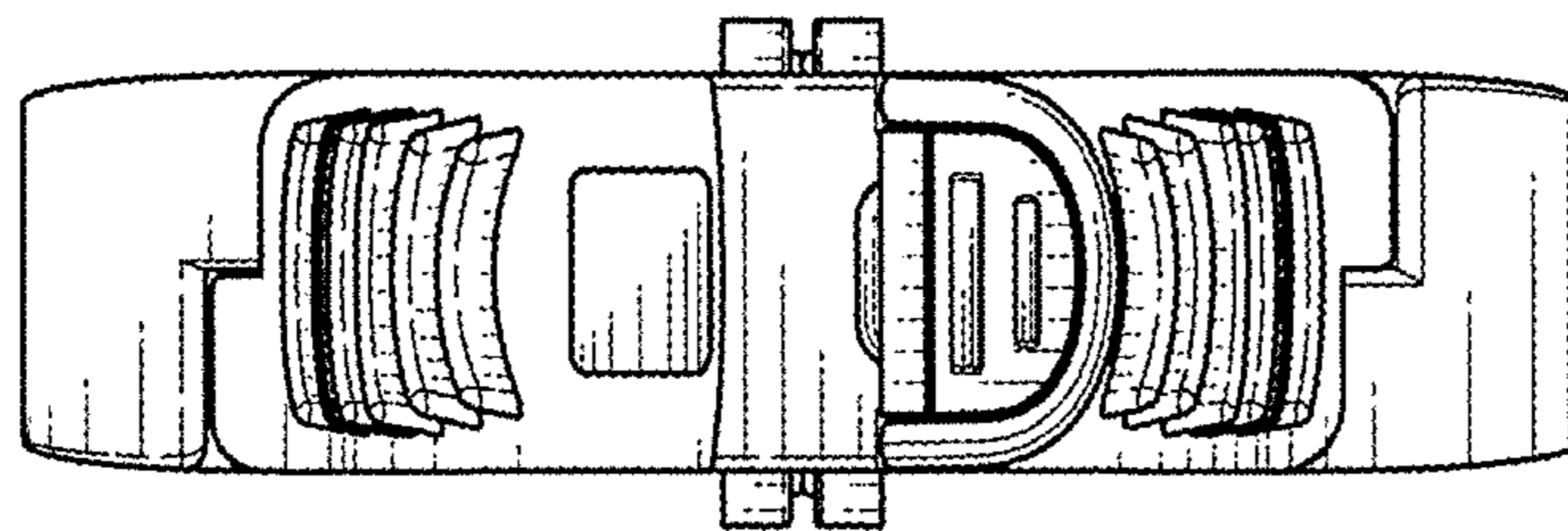


FIG. 9

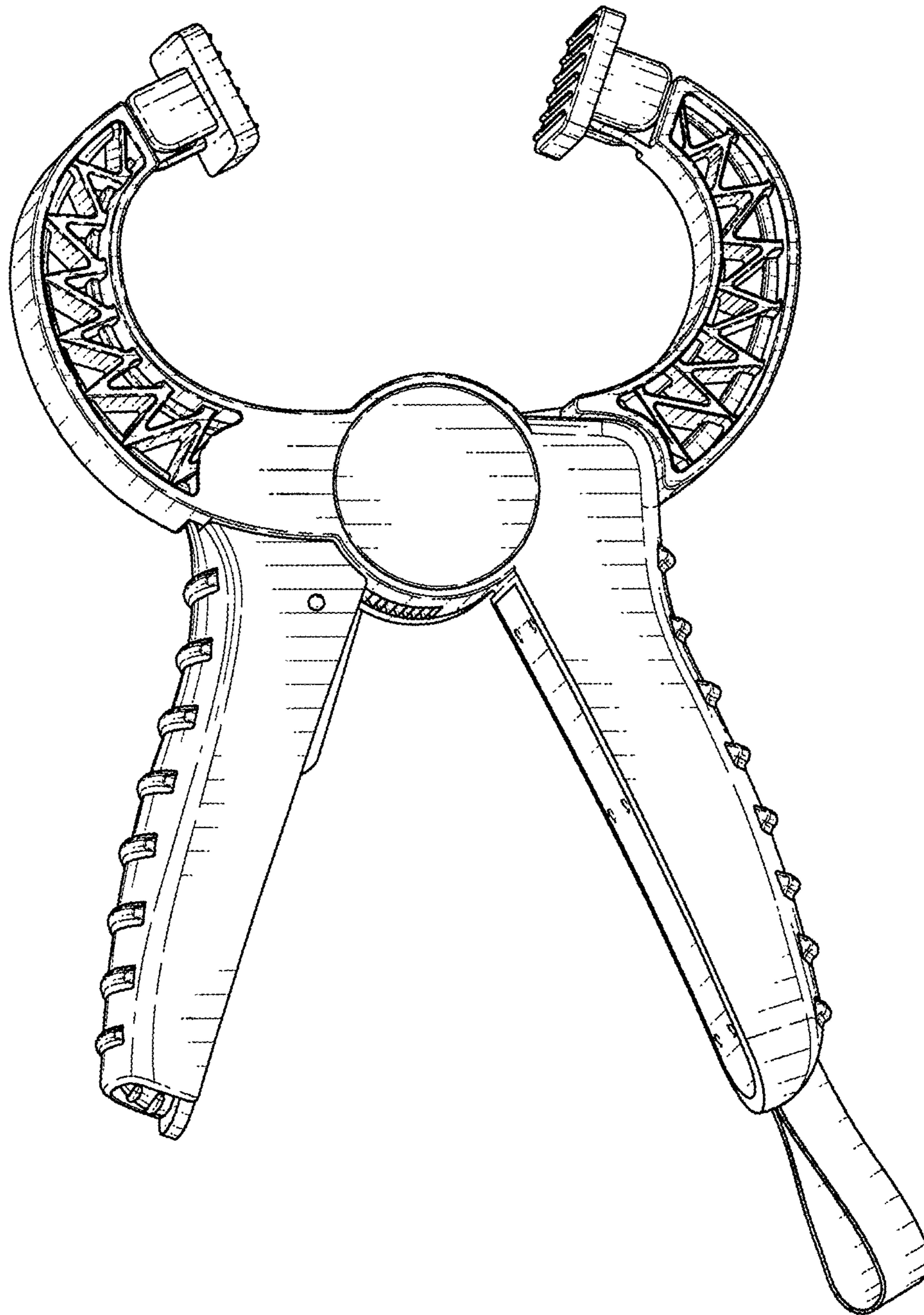


FIG. 10