

US00D86855S

(12) **United States Design Patent** (10) **Patent No.:** **US D868,555 S**  
**Hasenmayer** (45) **Date of Patent:** **\*\* Dec. 3, 2019**

(54) **POWER TOOL**

(71) Applicant: **Robert Bosch GmbH**, Stuttgart (DE)

(72) Inventor: **Vincent Hasenmayer**,  
Stuttgart-Möhringen (DE)

(73) Assignee: **Robert Bosch GmbH**, Stuttgart (DE)

(\*\*) Term: **15 Years**

(21) Appl. No.: **29/617,281**

(22) Filed: **Sep. 13, 2017**

(30) **Foreign Application Priority Data**

Mar. 30, 2017 (EM) ..... 003830967

(51) **LOC (12) Cl.** ..... **08-01**

(52) **U.S. Cl.**  
USPC ..... **D8/61**

(58) **Field of Classification Search**  
USPC ..... D8/61, 62; D32/15, 17, 19; D14/102;  
451/456, 451, 359, 358, 357, 356, 355,  
451/354, 353, 351, 344  
CPC ..... B27C 1/10; B27C 1/14; B27G 17/025;  
B27G 17/02

See application file for complete search history.

(56) **References Cited**

**U.S. PATENT DOCUMENTS**

D470,735 S *	2/2003	Heun	.....	D8/61
D492,560 S *	7/2004	Refson	.....	D8/61
D495,226 S *	8/2004	Grant	.....	D8/61
D527,964 S *	9/2006	Riley	.....	D8/61
D538,614 S *	3/2007	Aglassinger	.....	D8/61

D564,850 S *	3/2008	Bakker	.....	D8/61
D565,915 S *	4/2008	Su	.....	D8/61
D569,205 S *	5/2008	Lai	.....	D8/61
D570,172 S *	6/2008	Heun	.....	D8/61
D689,754 S *	9/2013	Hayakawa	.....	D8/61
D724,920 S *	3/2015	Fisher	.....	D8/61
D724,921 S *	3/2015	Fisher	.....	D8/61
D788,558 S *	6/2017	Tasic	.....	D8/62

\* cited by examiner

*Primary Examiner* — Austin Murphy

(74) *Attorney, Agent, or Firm* — Maginot, Moore & Beck LLP

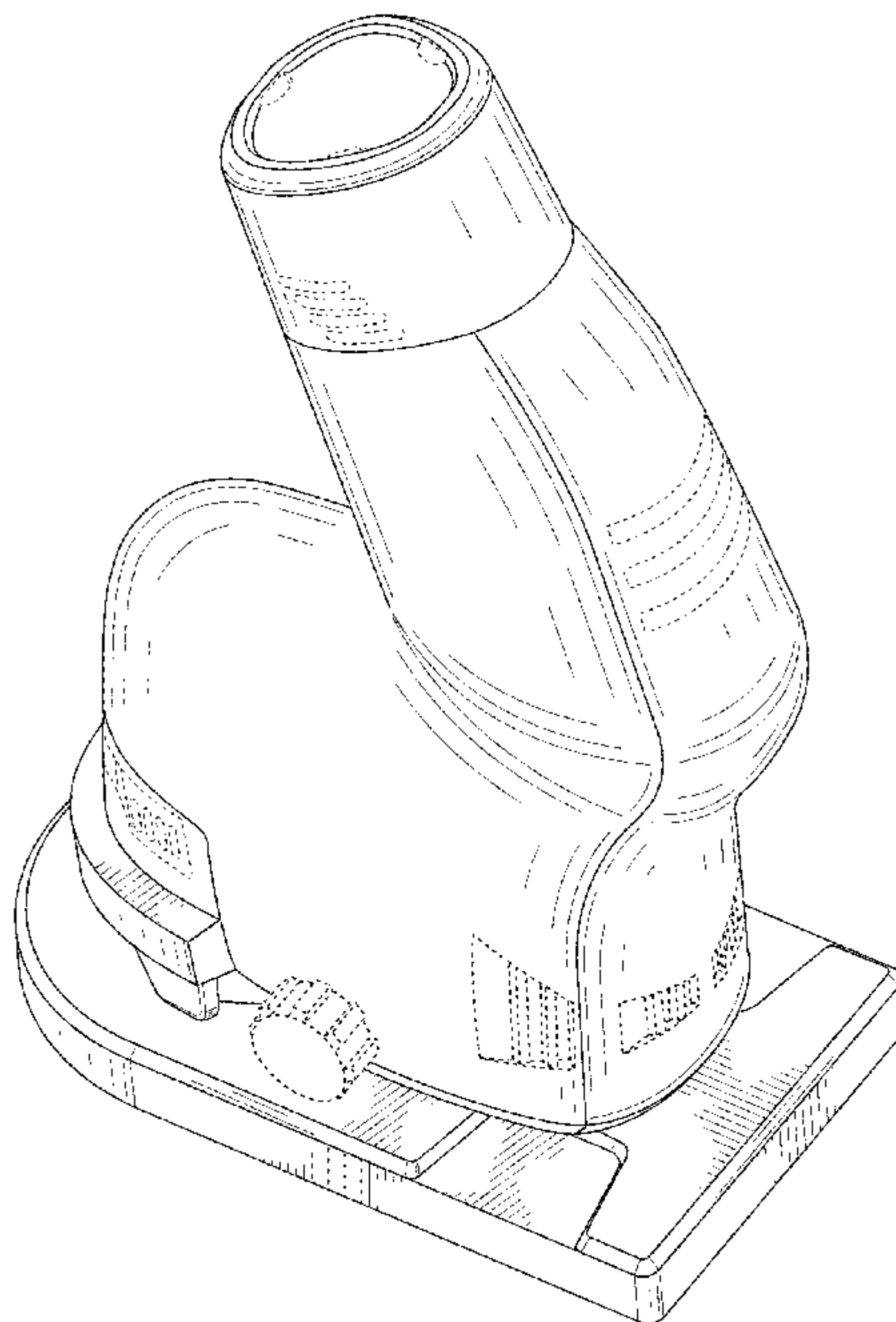
(57) **CLAIM**

The ornamental design for a power tool, as shown and described.

**DESCRIPTION**

FIG. 1 is a perspective view of a power tool showing my new design.  
 FIG. 2 is a right side elevational view of the power tool of FIG. 1;  
 FIG. 3 is a left side elevational view of the power tool of FIG. 1;  
 FIG. 4 is a rear elevational view of the power tool of FIG. 1;  
 FIG. 5 is a front elevational view of the power tool of FIG. 1;  
 FIG. 6 is a top plan view of the power tool of FIG. 1; and,  
 FIG. 7 is a bottom plan view of the power tool of FIG. 1.  
 The broken lines shown in the drawings illustrate portions of the power tool that form no part of the claimed design.

**1 Claim, 7 Drawing Sheets**



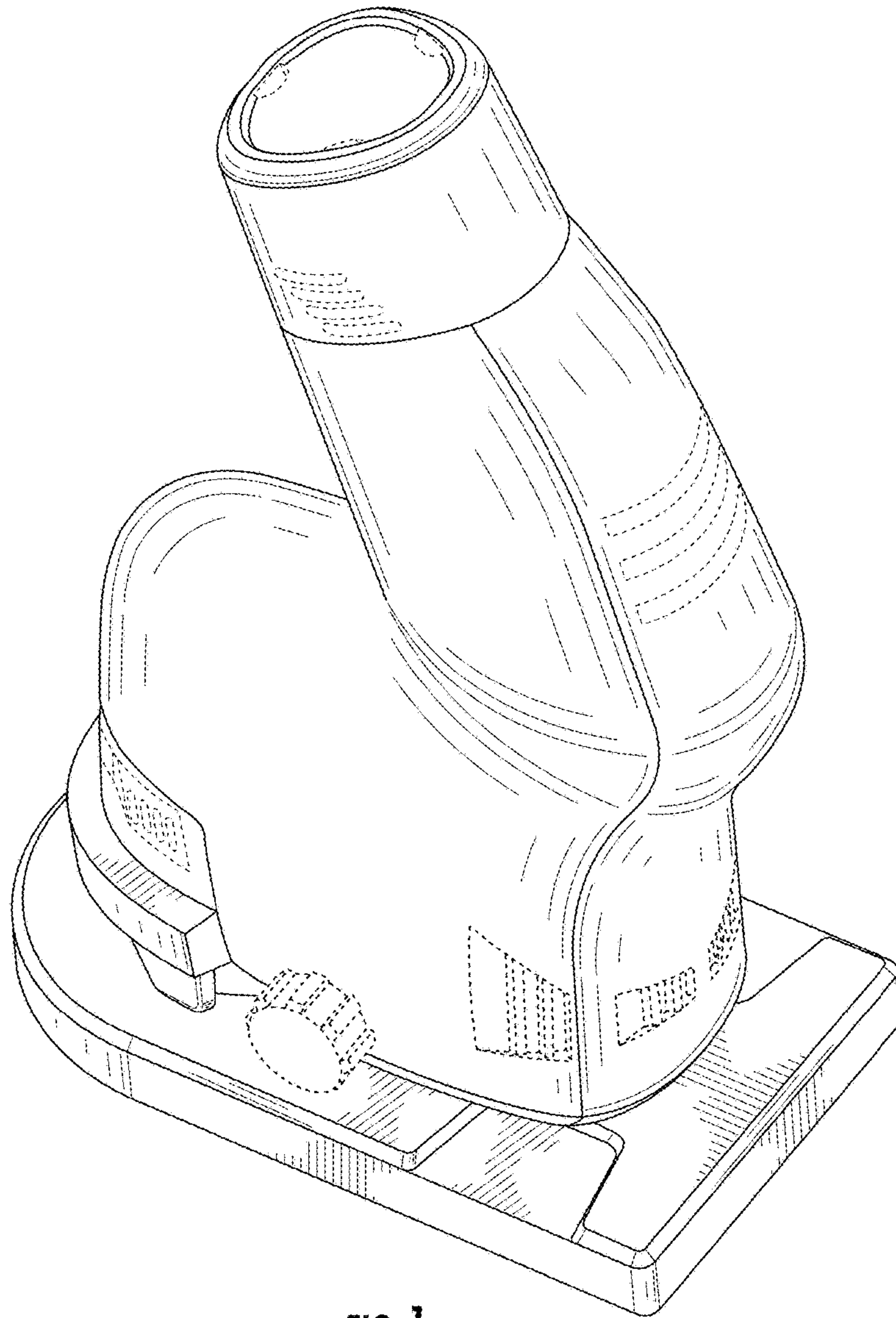


FIG. 1

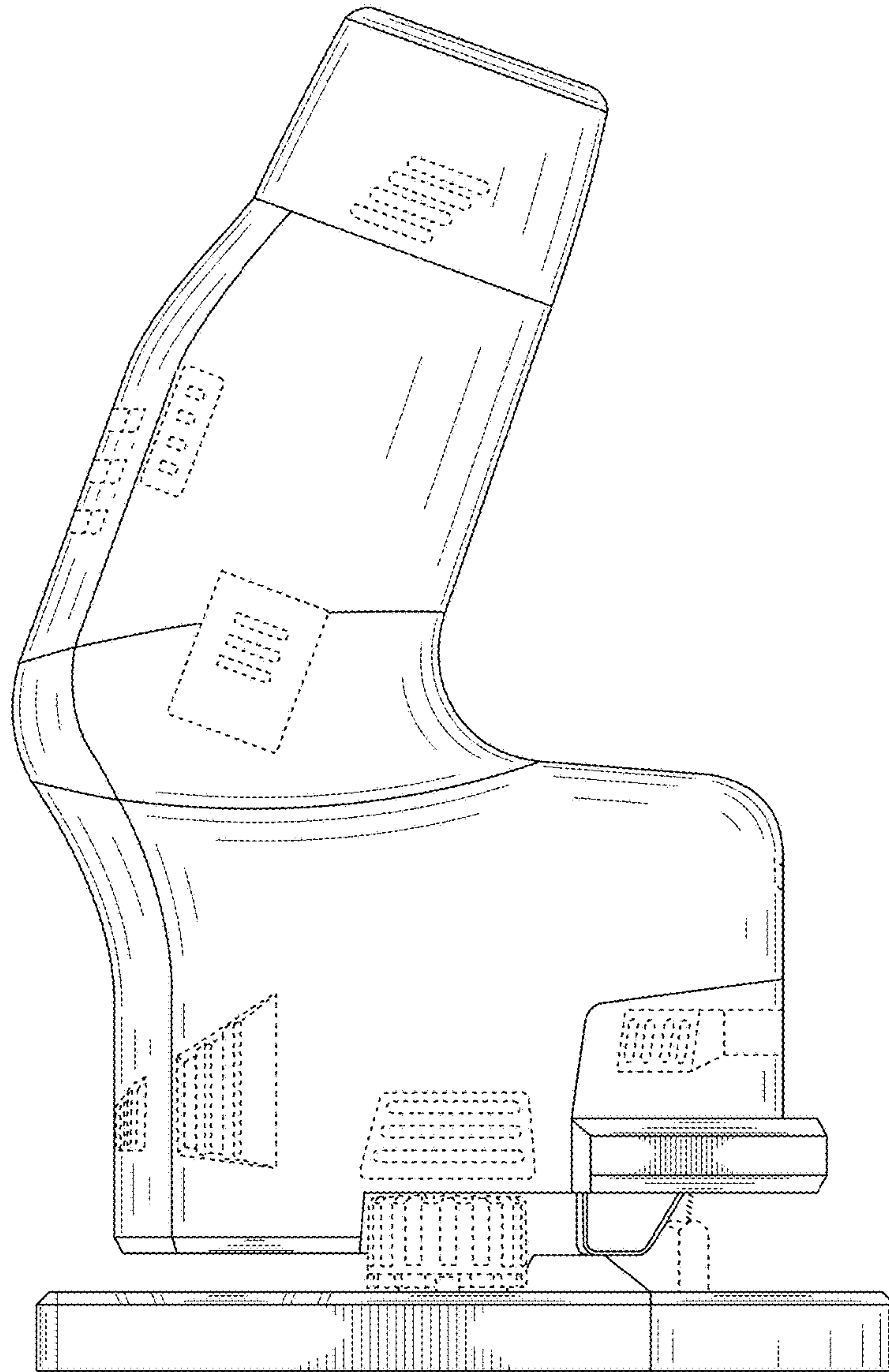


FIG. 2

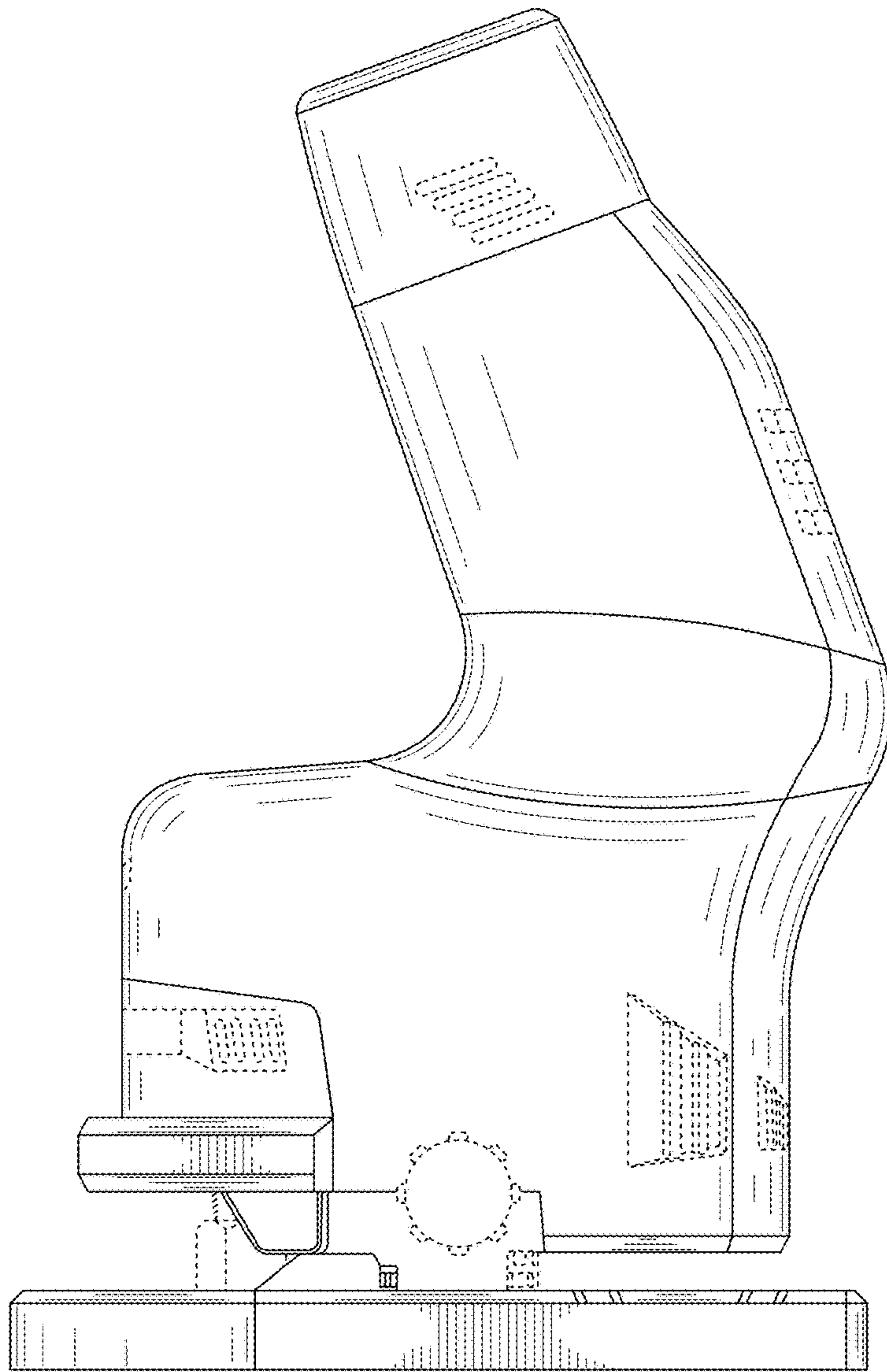


FIG. 3

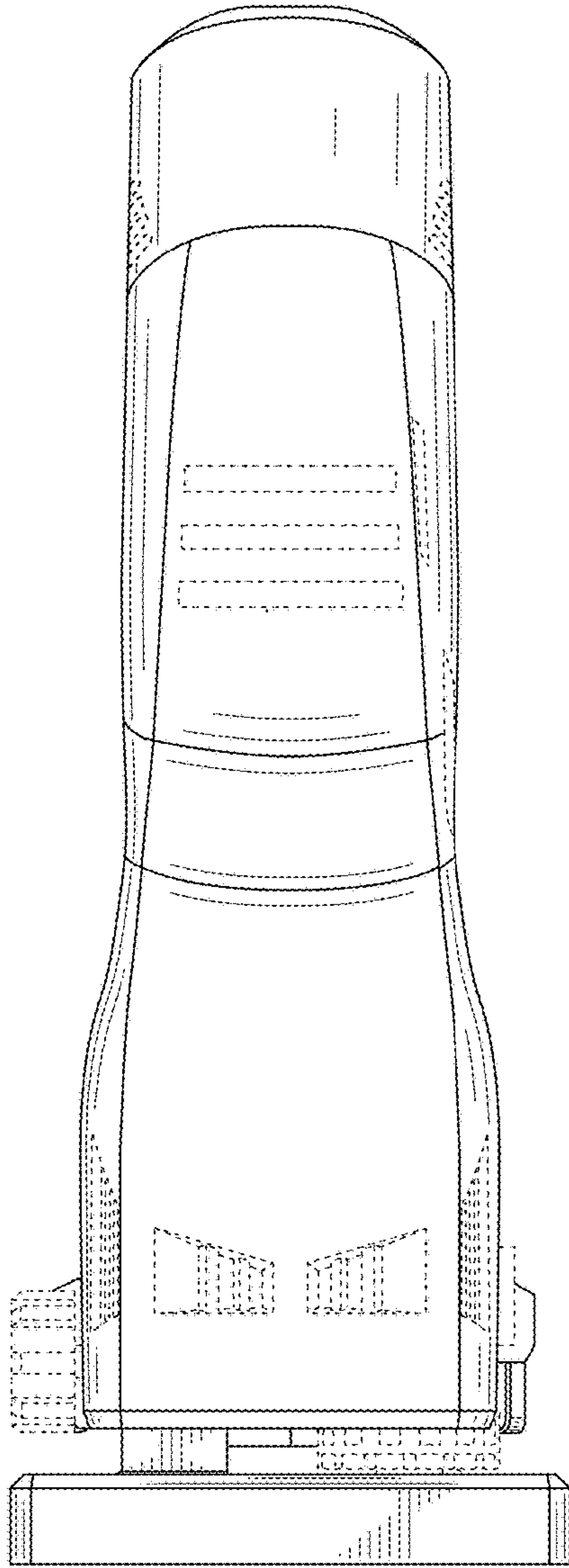


FIG. 4



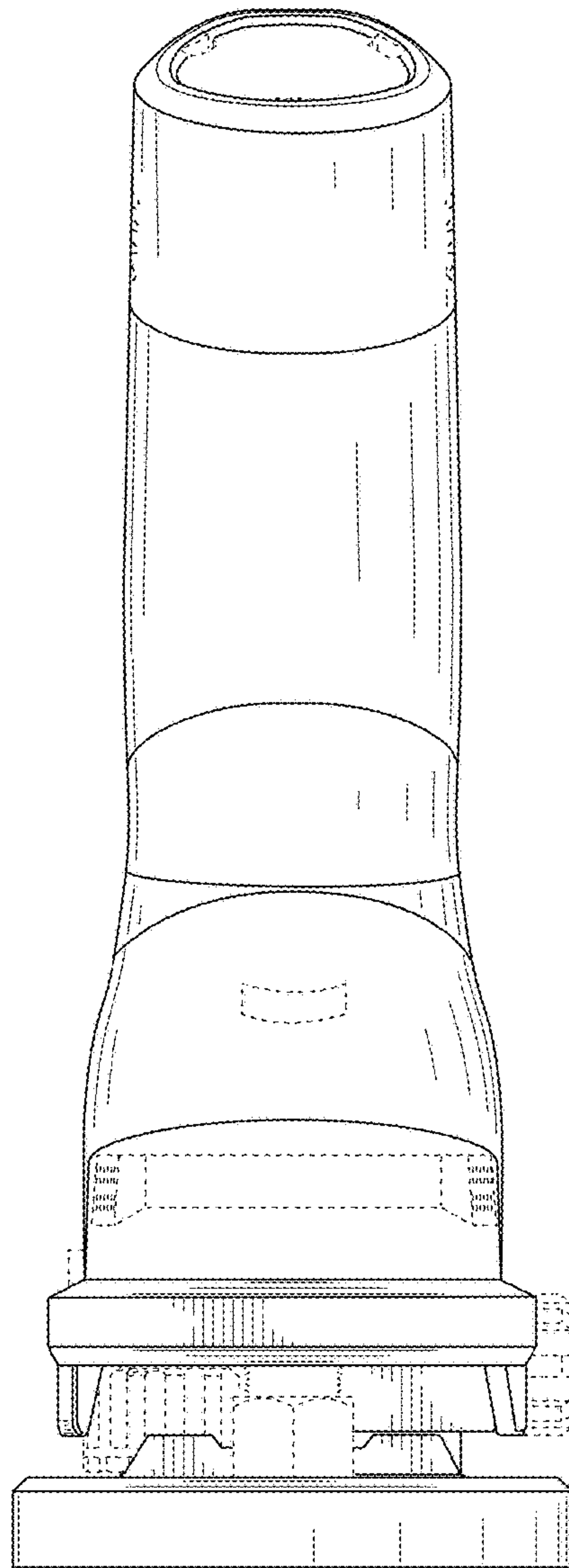


FIG. 5

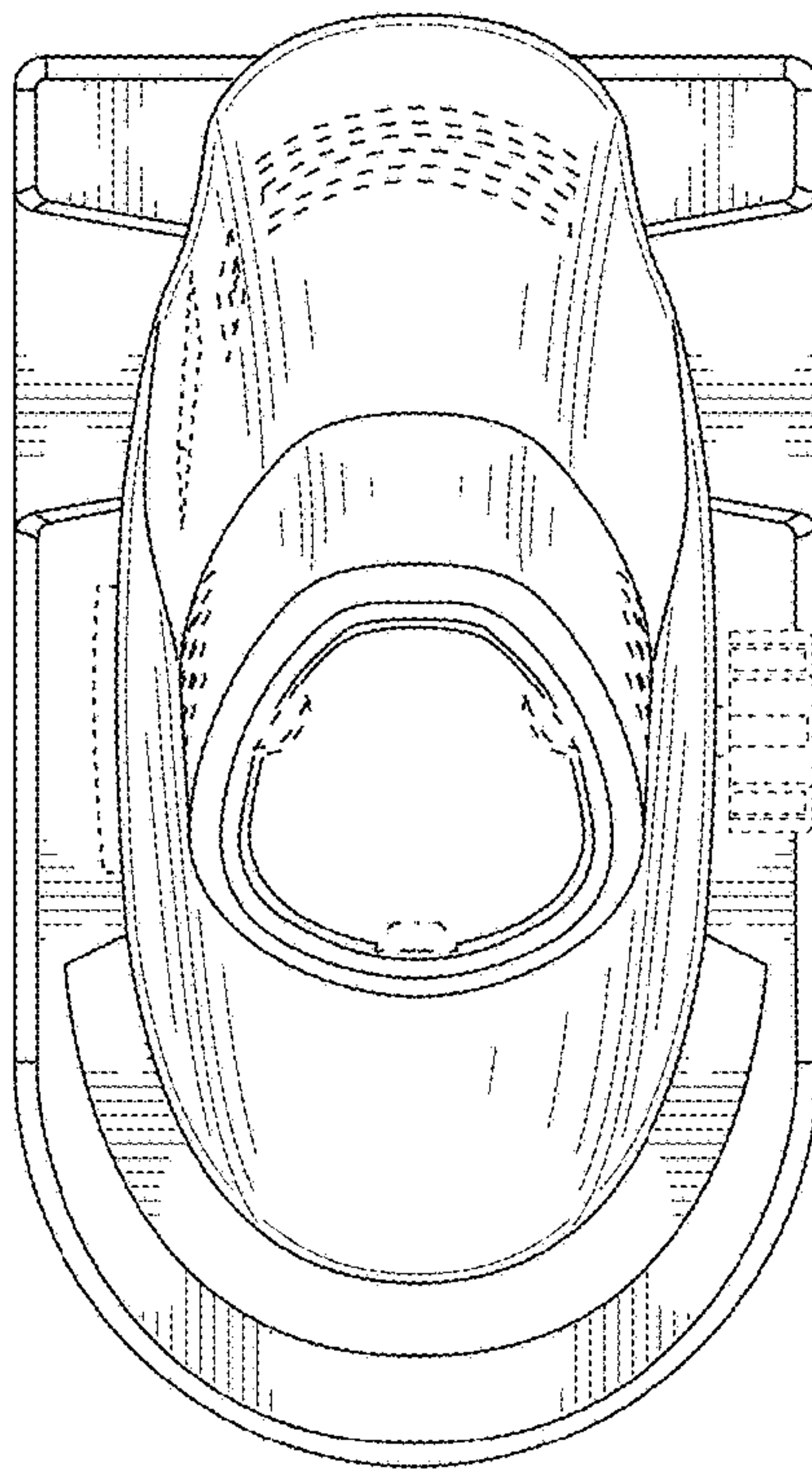


FIG. 6

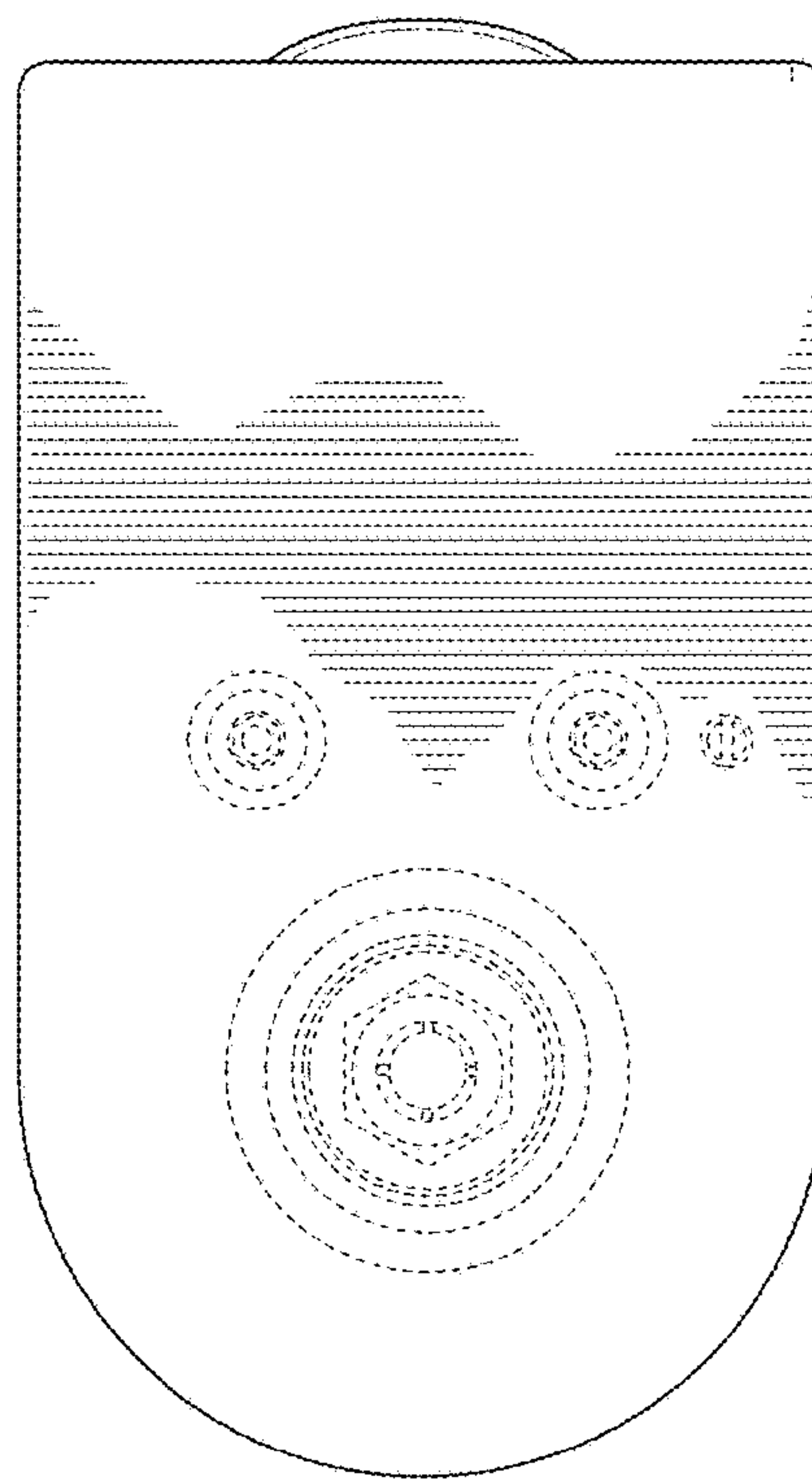


FIG. 7