



US00D868554S

(12) **United States Design Patent** (10) **Patent No.:** **US D868,554 S**
Shimazu et al. (45) **Date of Patent:** **** *Dec. 3, 2019**

- (54) **HOT AIR GUN**
- (71) Applicant: **Leister Technologies AG**, Kagiswil (CH)
- (72) Inventors: **Haruka Shimazu**, Adligenwil (CH); **Adam Warkiewicz**, Bichelsee (CH)
- (73) Assignee: **Leister Technologies AG**, Kagiswil (CH)
- (*) Notice: This patent is subject to a terminal disclaimer.
- (**) Term: **15 Years**
- (21) Appl. No.: **29/665,423**
- (22) Filed: **Oct. 3, 2018**
- (51) **LOC (12) Cl.** **08-05**
- (52) **U.S. Cl.**
USPC **D8/29.1**
- (58) **Field of Classification Search**
USPC D7/416; D8/29, 29.1, 29.2, 30, 68, 107; D15/144, 144.1, 144.2; D27/139, 154, D27/157; D23/223; D28/13, 17, 61, 67, D28/68
CPC A45D 20/08; A45D 20/10; F24H 3/00; F24H 3/0423; F16M 13/00
See application file for complete search history.

- (56) **References Cited**
U.S. PATENT DOCUMENTS
D274,551 S * 7/1984 Benjamin D28/13
D296,070 S * 6/1988 Cunningham D28/13
D297,397 S * 8/1988 Pagani D8/29.1
D297,398 S * 8/1988 Pagani D8/29.1
D334,876 S * 4/1993 Swetish D8/29.1
D388,297 S * 12/1997 Buttenbender D8/29.1
D456,679 S * 5/2002 Cheng D8/29.1
D457,043 S * 5/2002 Cheng D8/29.1
D457,044 S * 5/2002 Cheng D8/29.1

- D457,407 S * 5/2002 Pretzell D8/29.1
 - D481,277 S * 10/2003 Waldron D8/29.1
 - D516,883 S * 3/2006 Popov D8/29.1
 - D572,097 S * 7/2008 Yung-Kuan D28/13
 - D615,834 S * 5/2010 Netzler D8/29.1
 - D615,835 S * 5/2010 Netzler D8/29.1
 - D617,618 S * 6/2010 Steinel D28/13
 - D639,129 S * 6/2011 Van Wambeke D8/29.1
 - D641,220 S * 7/2011 Shi D8/29.1
 - 7,982,163 B2 * 7/2011 Chung F24H 3/0423
219/227
 - D664,820 S * 8/2012 Furling D8/29.1
 - D679,561 S * 4/2013 Price D8/29.1
- (Continued)

OTHER PUBLICATIONS

RexBeti Heat Gun, posted on letgo.com, posted Jun. 2019, [online], [stie visted Jul. 15, 2019], Available from Internet, URL: https://us.letgo.com/en/i/heat-gun-portable-1500w-dual-temperature-hot-air-gun-525-932-by-rexbeti-7-accessories-for-heat-shrink-tubing_6bb0b255-ae7b-4edd-ae3-7180cb1 (Year: 2019).*

(Continued)

Primary Examiner — Michael C Stout
Assistant Examiner — Fritzgerald L Butac
(74) *Attorney, Agent, or Firm* — Charles H Jew

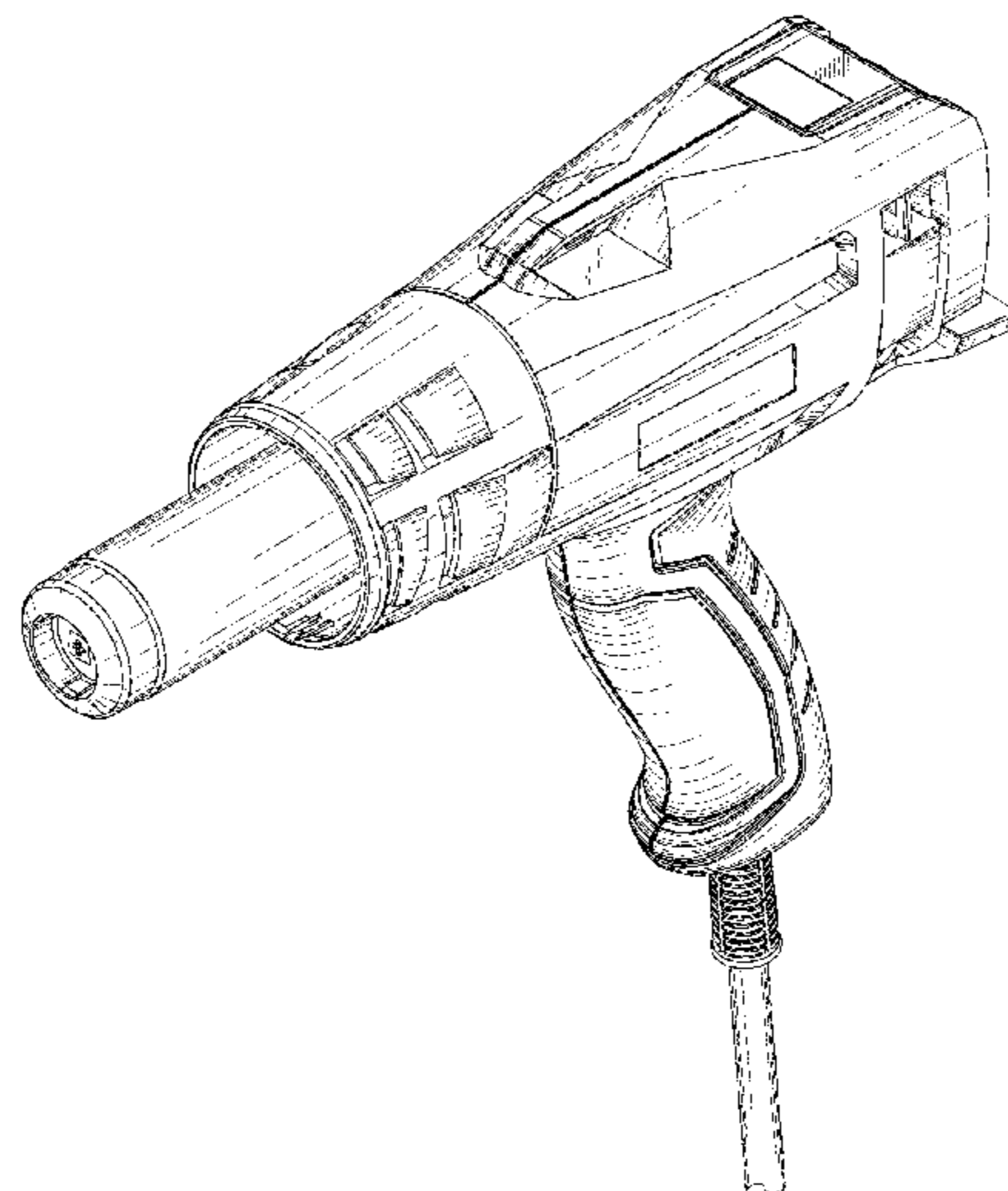
(57) **CLAIM**

The ornamental design for a hot air gun, as shown and described.

DESCRIPTION

FIG. 1 is a right side elevational view of a hot air gun showing our design;
FIG. 2 is a left side elevational view thereof;
FIG. 3 is a top plan view thereof;
FIG. 4 is a bottom plan view thereof;
FIG. 5 is a front elevational view thereof;
FIG. 6 is a rear elevational view thereof; and,
FIG. 7 is a front perspective view thereof.

1 Claim, 4 Drawing Sheets



(56)

References Cited

U.S. PATENT DOCUMENTS

D709,745	S *	7/2014	Radwill	D8/29.1
D710,165	S *	8/2014	Radwill	D8/29.1
D740,629	S *	10/2015	Furling	D8/29.1
D742,708	S *	11/2015	Howell	D8/29.1
D745,636	S *	12/2015	Lin	D23/226
D746,653	S *	1/2016	Furling	D8/29.1
D771,454	S *	11/2016	Steinel	D8/29.1
D799,637	S *	10/2017	Tschan	D23/223
D803,649	S *	11/2017	van der Rest	D8/68
D829,519	S *	10/2018	Teraoka	D8/29.1
D846,963	S *	4/2019	van der Rest	D8/68
2013/0228232	A1 *	9/2013	Chen	F24H 9/00 137/335
2013/0230816	A1 *	9/2013	Chen	F24H 3/02 432/222

OTHER PUBLICATIONS

Wagner Furno 500 Heat Gun, posted on homedepot.com, earliest review Feb. 2012, no production date given, [online], [site visited Jul. 15, 2019], Available from Internet, URL: <https://www.homedepot.com/p/Wagner-Furno-500-Heat-Gun-0503063/206723949> (Year: 2012).*

Porter-Cable Heat Gun, posted on lowes.com, earliest review Mar. 2011, no production date given, [online], [site visited Jul. 15, 2019], Available from Internet, URL: <https://www.lowes.com/pd/PORTER-CABLE-Heat-Gun/3341122> (Year: 2011).*

Hot Air Heat Gun, posted on alibaba.com, no posted date given, no production date given, [online], [site visited Jul. 15, 2019], Available from Internet, URL: https://www.alibaba.com/product-detail/AC-220V-1800W-Hot-Air-Heat_1115726389.html?spm=a2700.7724857.normalList.13.6ae456afIltXNU&s=p (Year: 2019).*

* cited by examiner

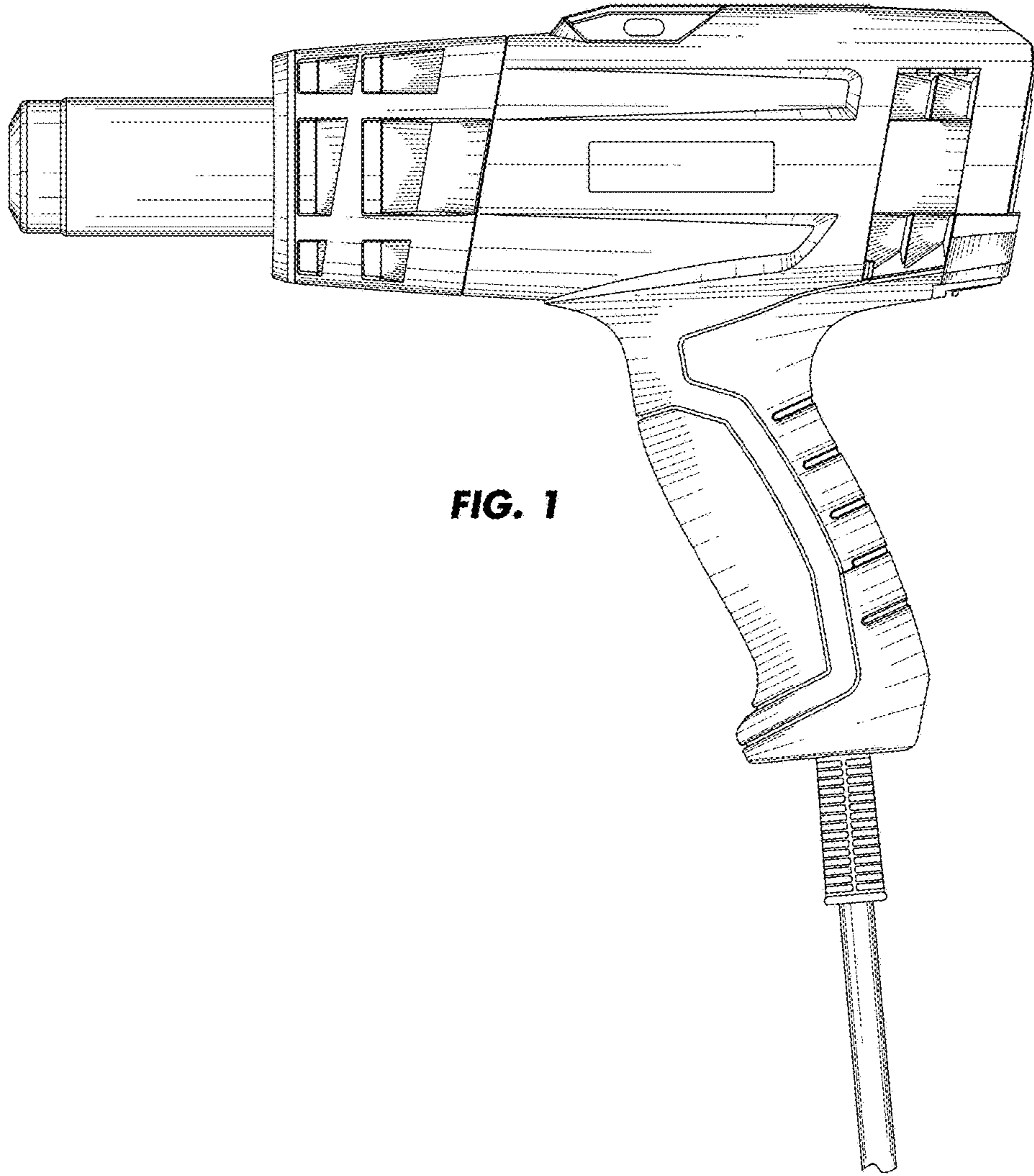


FIG. 1

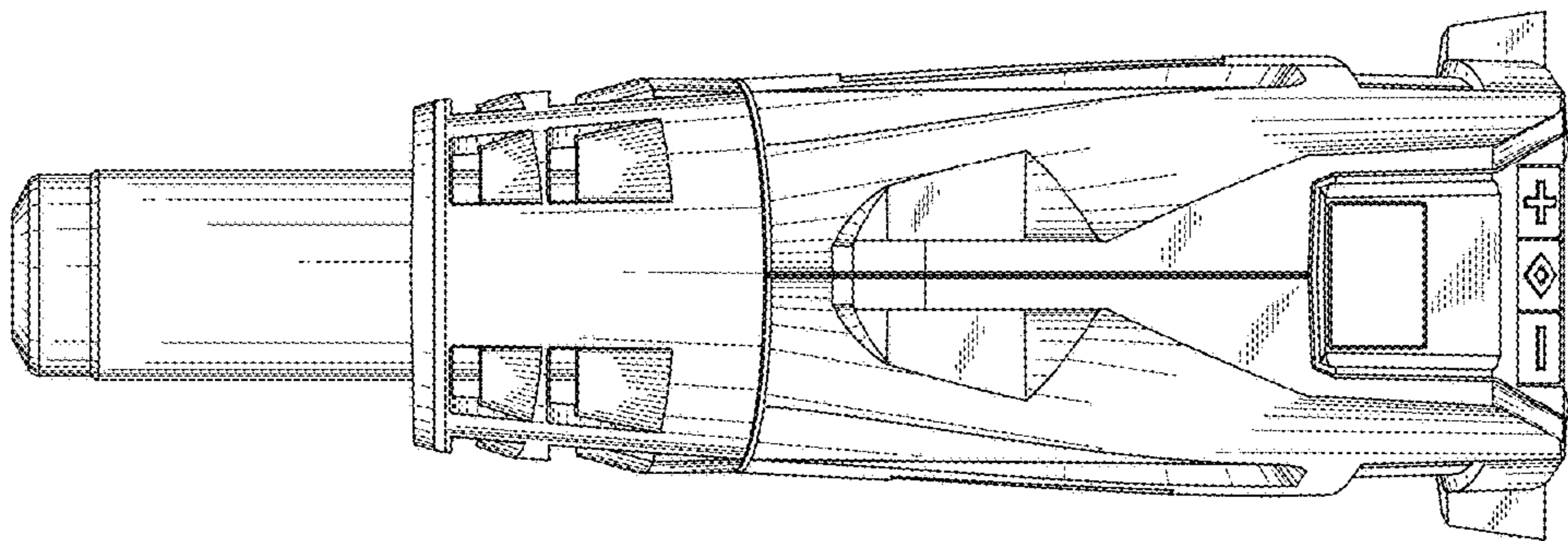


FIG. 3

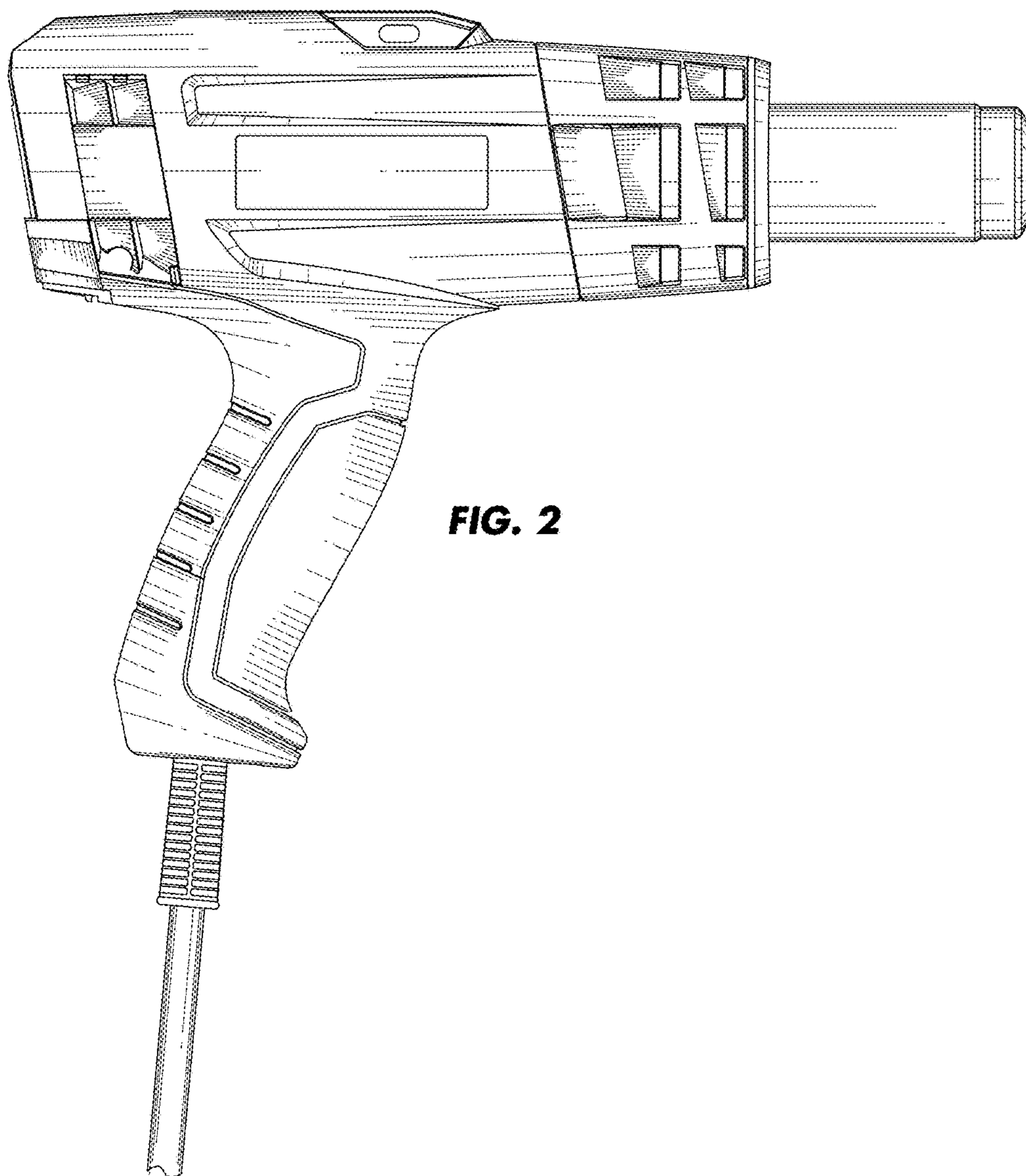


FIG. 2

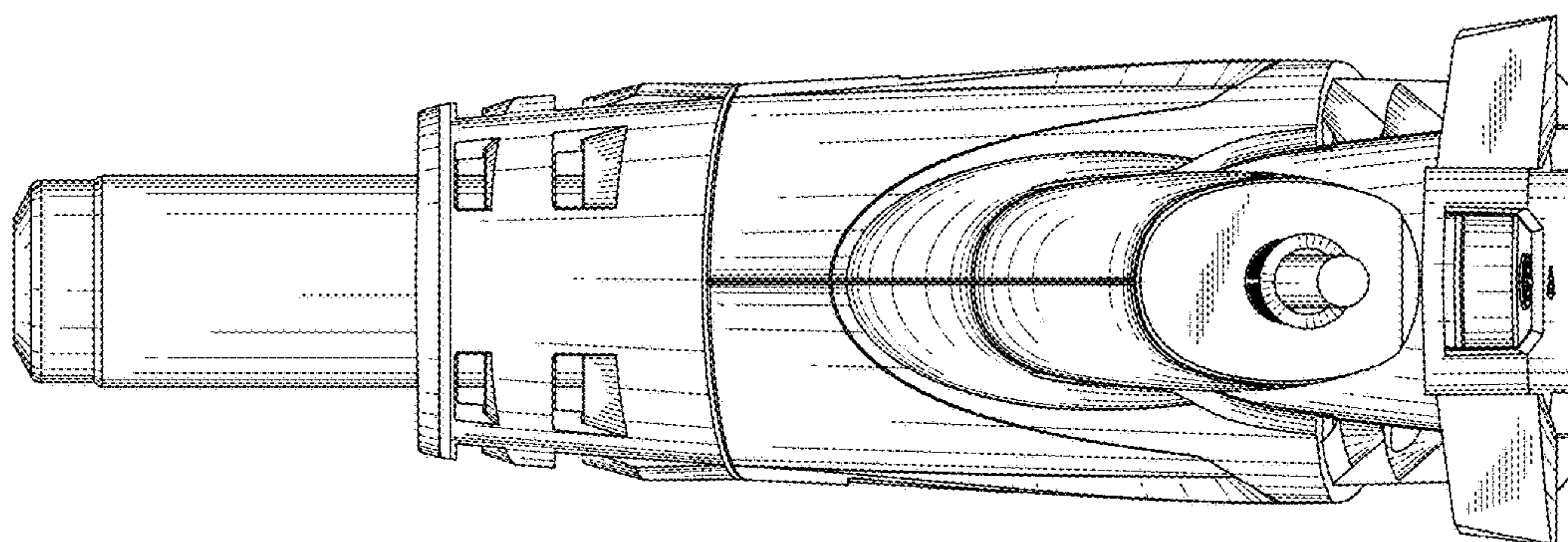


FIG. 4

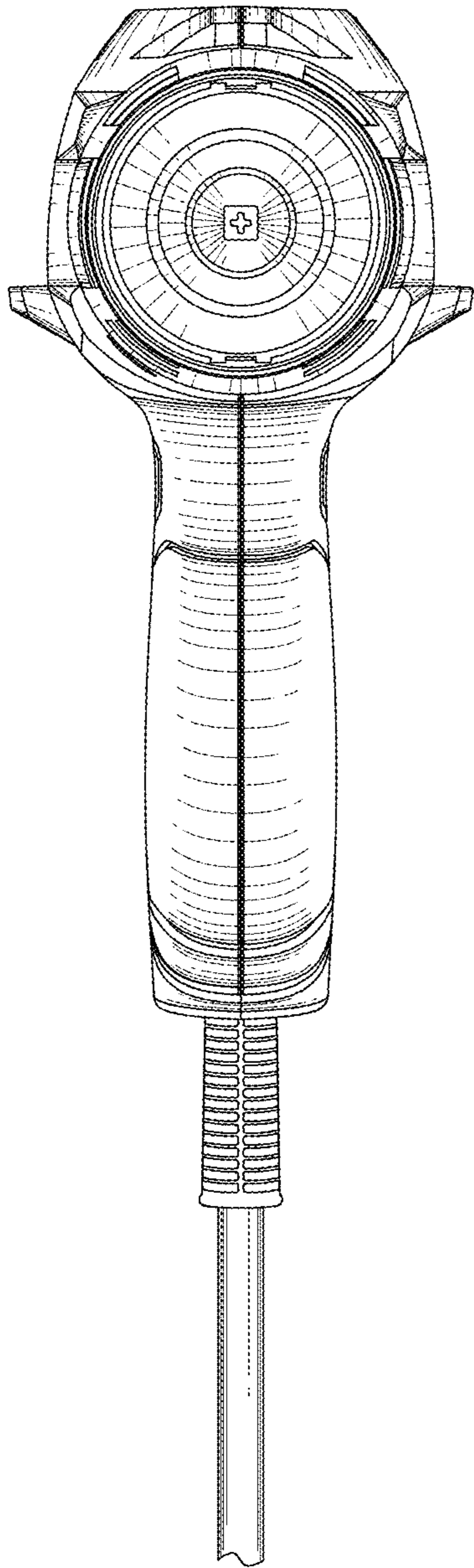


FIG. 5

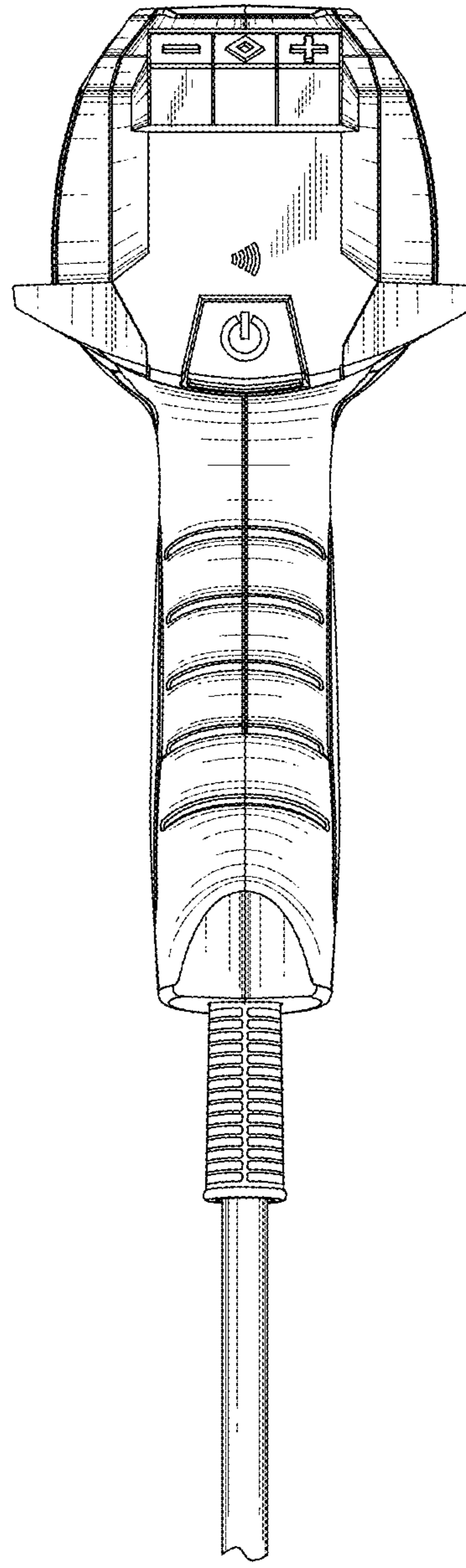


FIG. 6

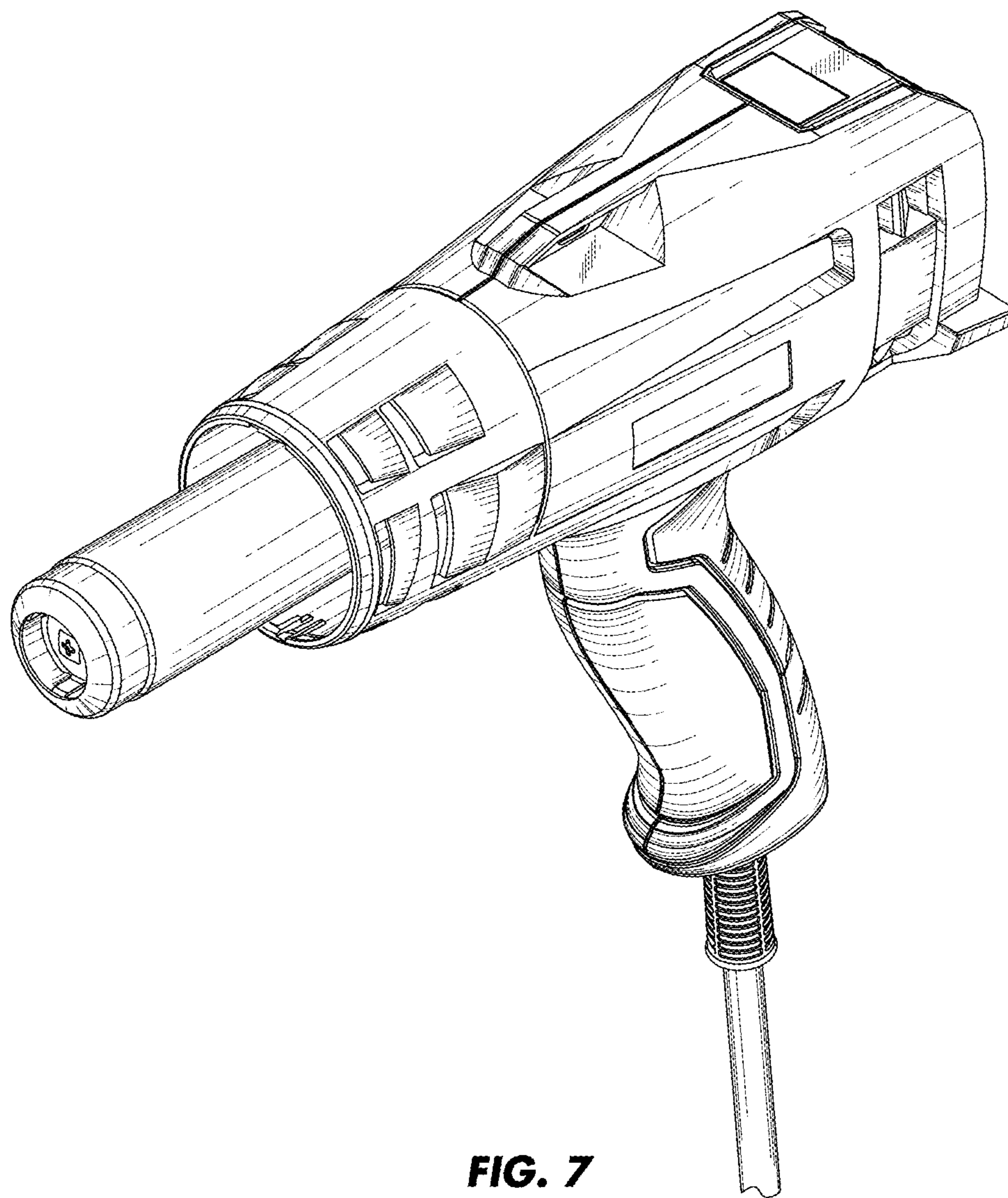


FIG. 7