



US00D868552S

(12) **United States Design Patent**  
**Magana et al.**

(10) **Patent No.: US D868,552 S**

(45) **Date of Patent: \*\* \*Dec. 3, 2019**

(54) **CULTIVATOR**

(71) Applicant: **CORONA CLIPPER, INC.**, Corona, CA (US)

(72) Inventors: **Anthony Magana**, Riverside, CA (US); **James J. Wolf**, Waconia, MN (US); **Kevin Michael Kroeger**, Anthem, AZ (US); **O’Ryan Lopez**, Fontana, CA (US); **Estevan Jose Silvas, Jr.**, Corona, CA (US); **Craig Steven Agney**, Minneapolis, MN (US)

(73) Assignee: **CORONA CLIPPER, INC.**, Corona, CA (US)

(\*) Notice: This patent is subject to a terminal disclaimer.

(\*\*) Term: **15 Years**

(21) Appl. No.: **29/635,328**

(22) Filed: **Jan. 30, 2018**

(51) **LOC (12) Cl.** ..... **08-01**

(52) **U.S. Cl.**  
USPC ..... **D8/8**

(58) **Field of Classification Search**  
USPC ..... D8/1, 6, 7, 8  
CPC .... A01B 1/06; A01B 1/14; A01B 1/20; A01B 1/00; A01B 33/103; A01G 20/30  
See application file for complete search history.

(56) **References Cited**

**U.S. PATENT DOCUMENTS**

39,389 A \* 8/1863 Ernst ..... A01B 41/00  
172/153  
2,022,335 A \* 11/1935 Bernthal ..... A01G 20/30  
172/547  
2,188,644 A \* 1/1940 Short ..... A01B 1/06  
172/349  
D171,859 S \* 3/1954 Pettus ..... 56/256

D173,546 S \* 11/1954 Stromberg ..... 452/145  
2,748,683 A \* 6/1956 Baird ..... A01B 1/14  
172/350  
2,881,846 A \* 4/1959 Stromberg ..... A01B 1/06  
172/350  
3,340,937 A \* 9/1967 Vanderveer ..... A01B 1/06  
172/350  
D251,768 S \* 5/1979 Dellinger ..... D8/7  
4,424,869 A \* 1/1984 vom Braucke ..... A01B 1/06  
172/349  
D273,656 S \* 5/1984 Dellinger ..... D8/8  
4,678,043 A \* 7/1987 vom Braucke ..... A01B 1/06  
172/349  
D299,204 S \* 1/1989 Nappi ..... D15/28  
5,632,342 A \* 5/1997 Knoblich ..... A01B 1/243  
111/91  
6,523,618 B2 \* 2/2003 Firdaus ..... A01B 33/103  
172/540  
7,735,573 B2 \* 6/2010 Catalano ..... A01B 1/243  
172/349  
D640,906 S \* 7/2011 Hsu ..... D8/8  
D642,024 S \* 7/2011 Hsu ..... D8/8

(Continued)

*Primary Examiner* — Sheryl Lane

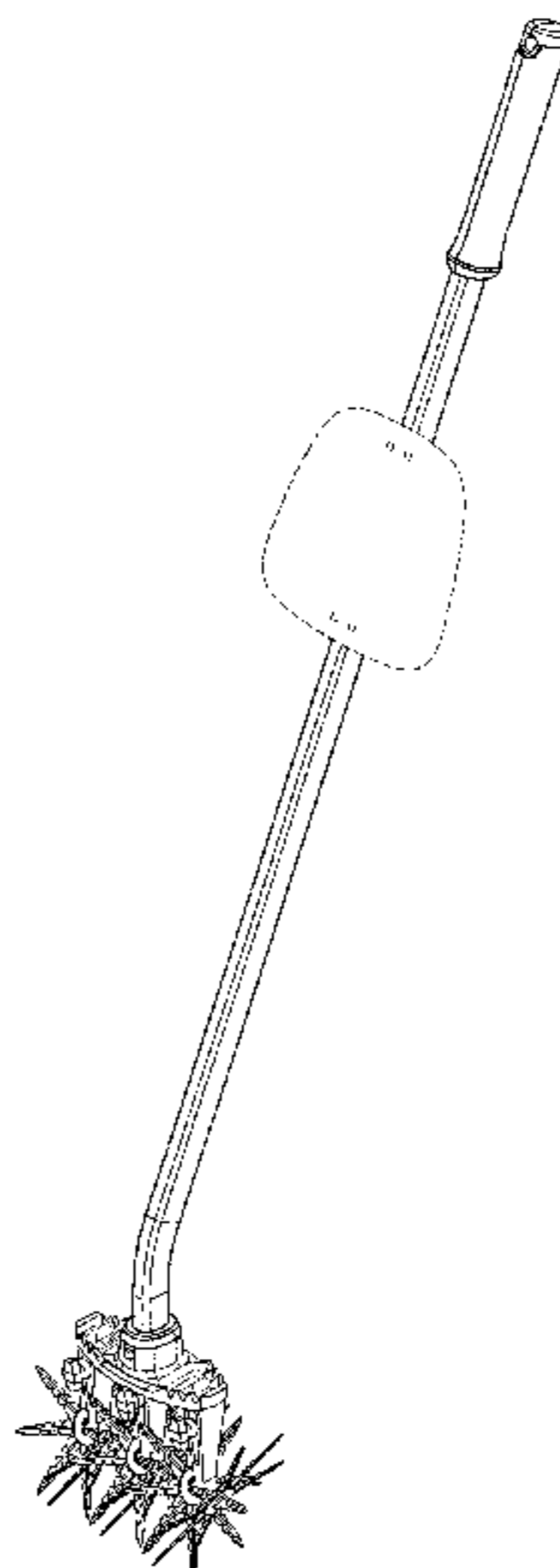
(57) **CLAIM**

The ornamental design for a cultivator, as shown and described.

**DESCRIPTION**

FIG. 1 is a left side perspective view of a cultivator showing my new design;  
FIG. 2 is a left side elevational view thereof.  
FIG. 3 is a right elevational view thereof;  
FIG. 4 is a front elevation view thereof.  
FIG. 5 is a back elevation view thereof.  
FIG. 6 is a top elevation view thereof; and,  
FIG. 7 is a bottom elevation view thereof.  
The matter displayed in dashed lines indicates context and does not form any part of the claimed design.

**1 Claim, 5 Drawing Sheets**



(56)

**References Cited**

U.S. PATENT DOCUMENTS

8,047,300 B1 *	11/2011	Lin	.....	A01B 1/20
				172/349
D651,054 S *	12/2011	Alex	.....	D8/8
D845,093 S *	4/2019	Magana	.....	D8/1
2008/0128147 A1 *	6/2008	Lynch	.....	A01B 1/00
				172/349

\* cited by examiner

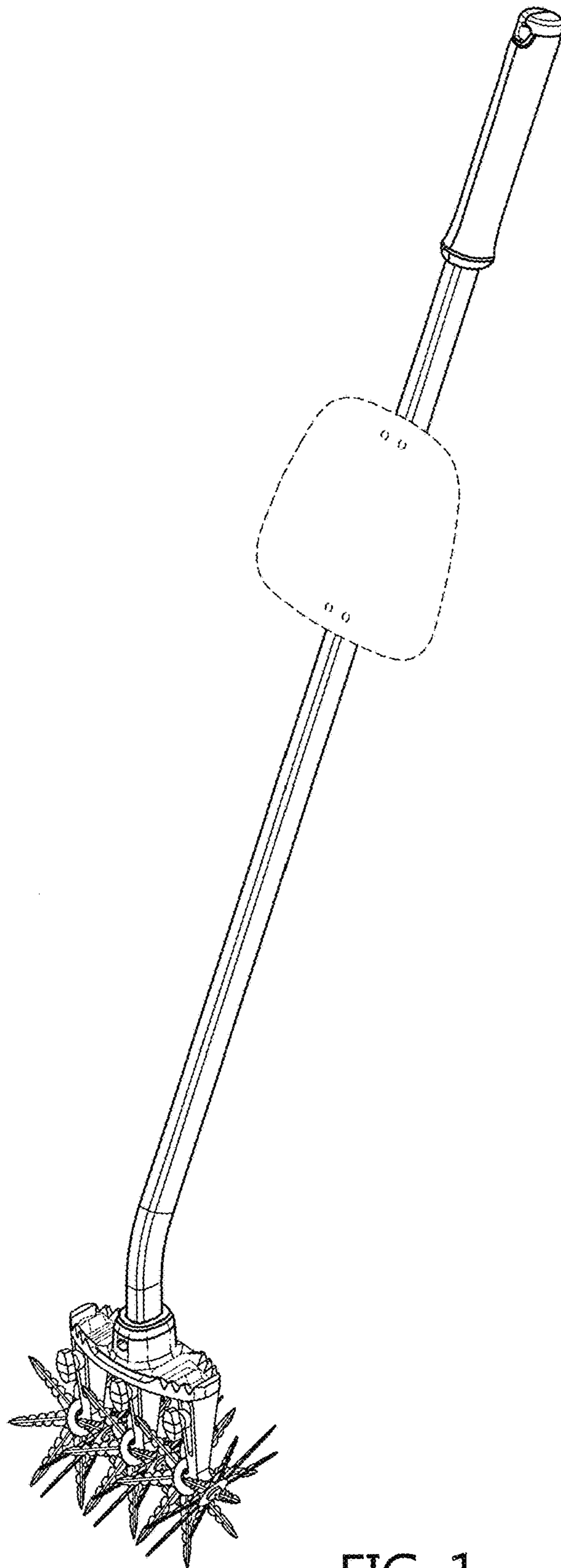


FIG. 1

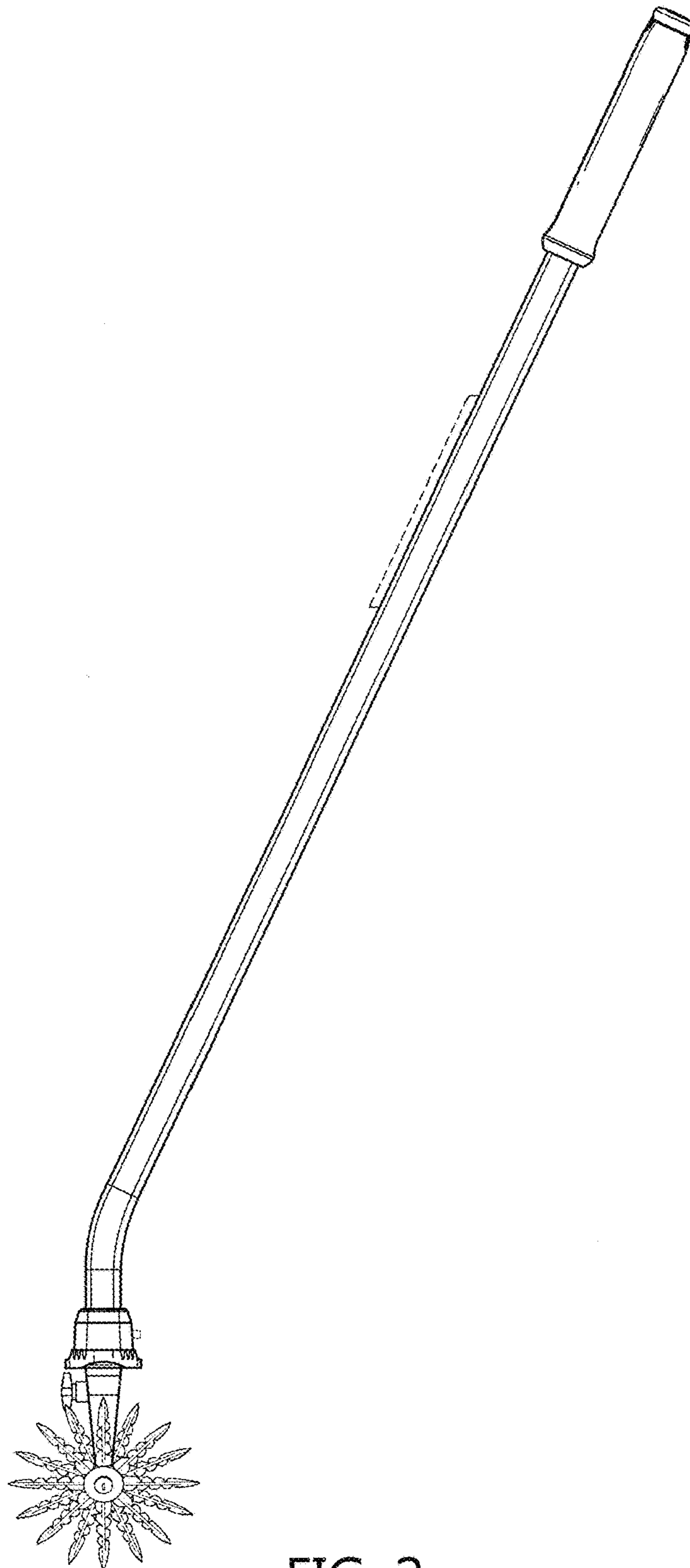


FIG. 2

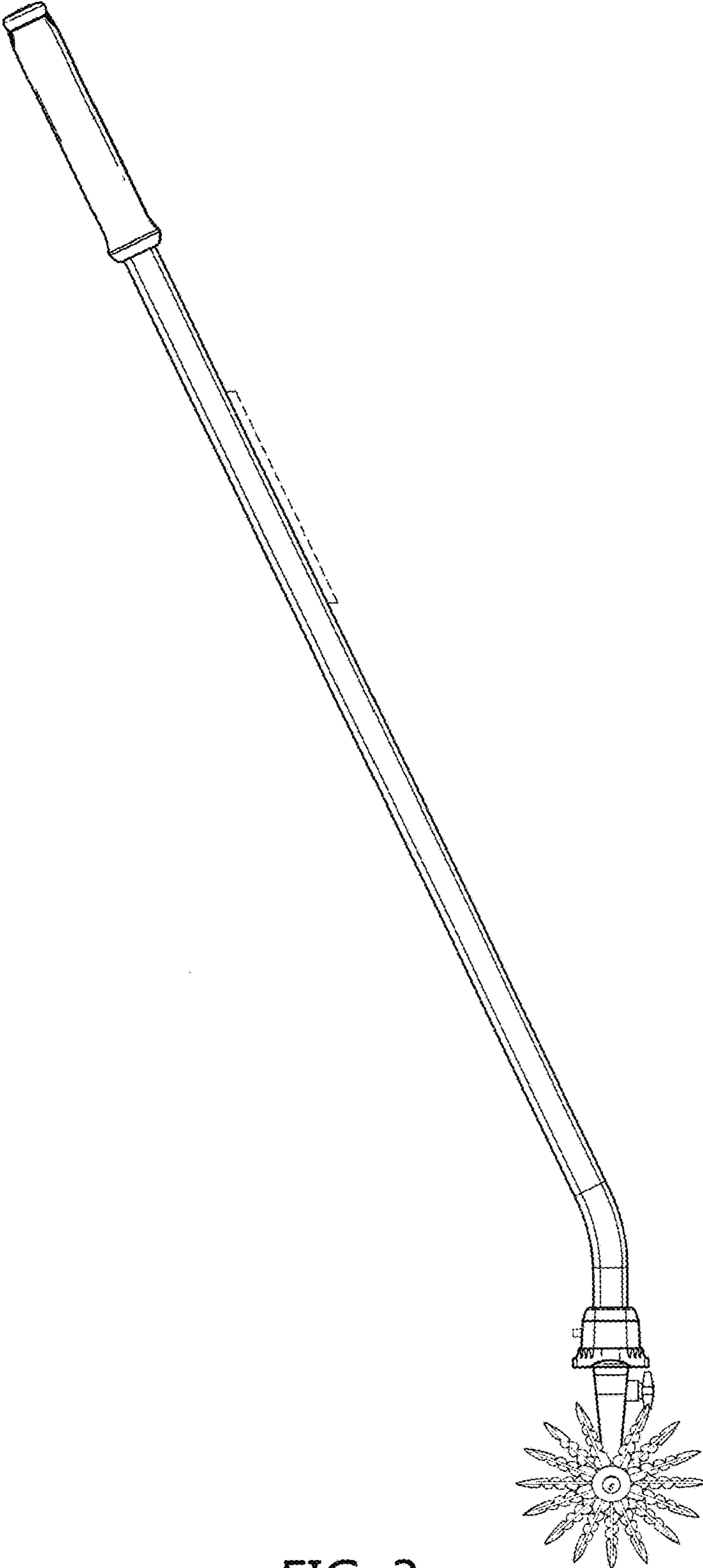


FIG. 3

FIG. 4

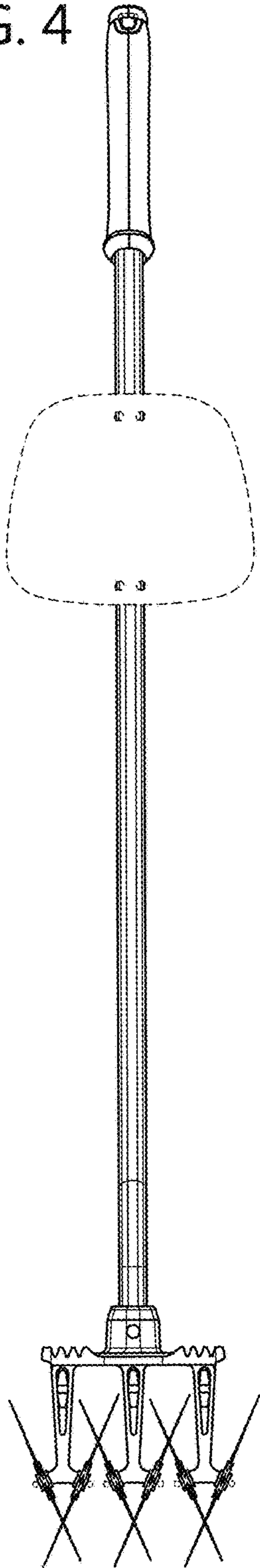
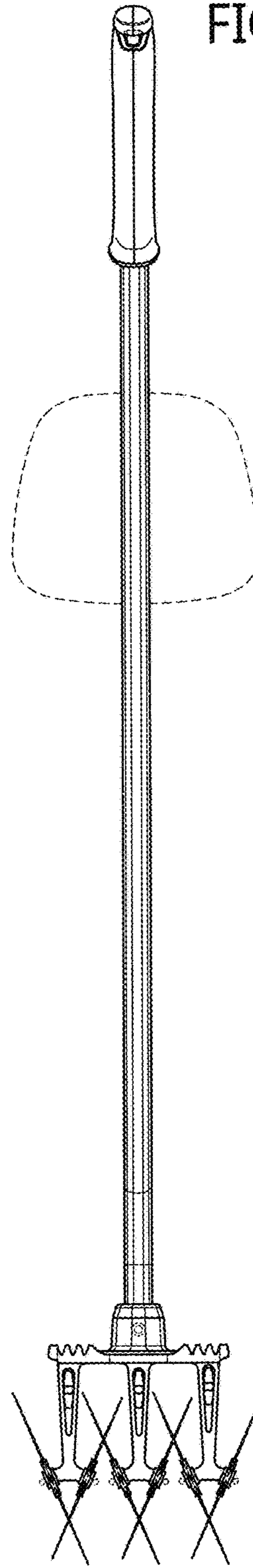


FIG. 5



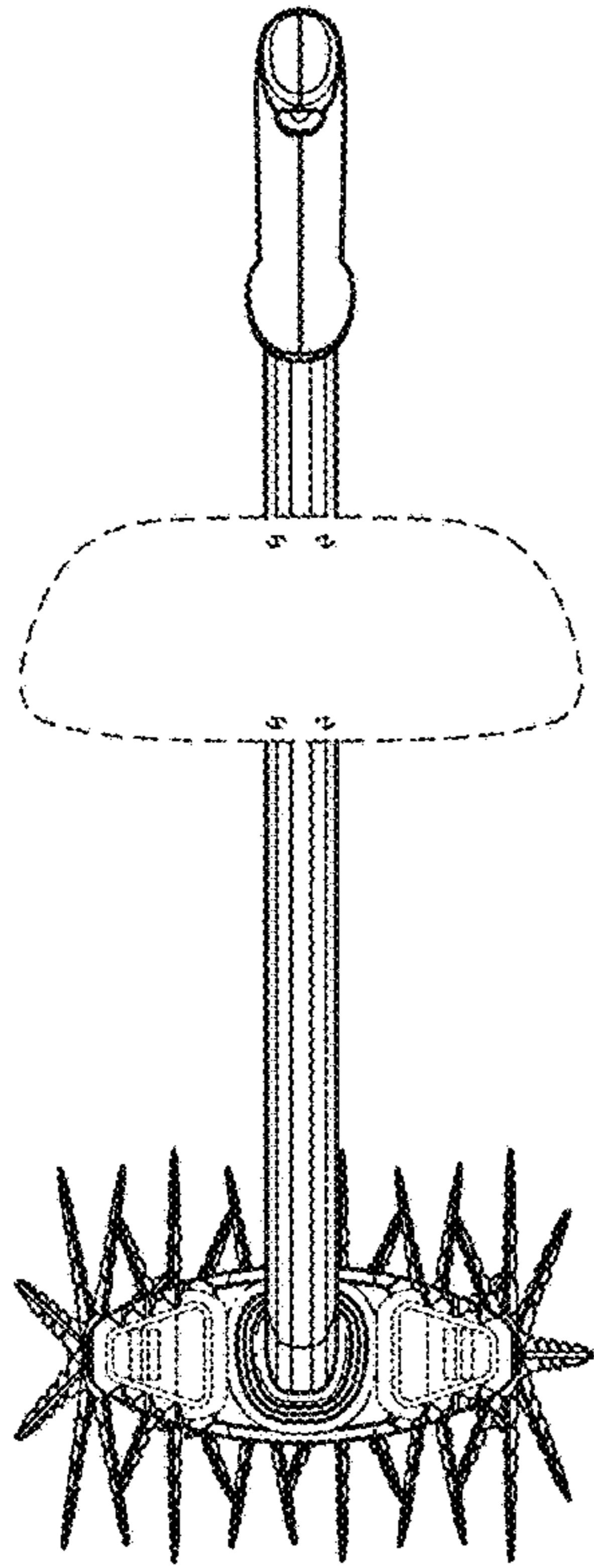


FIG. 6

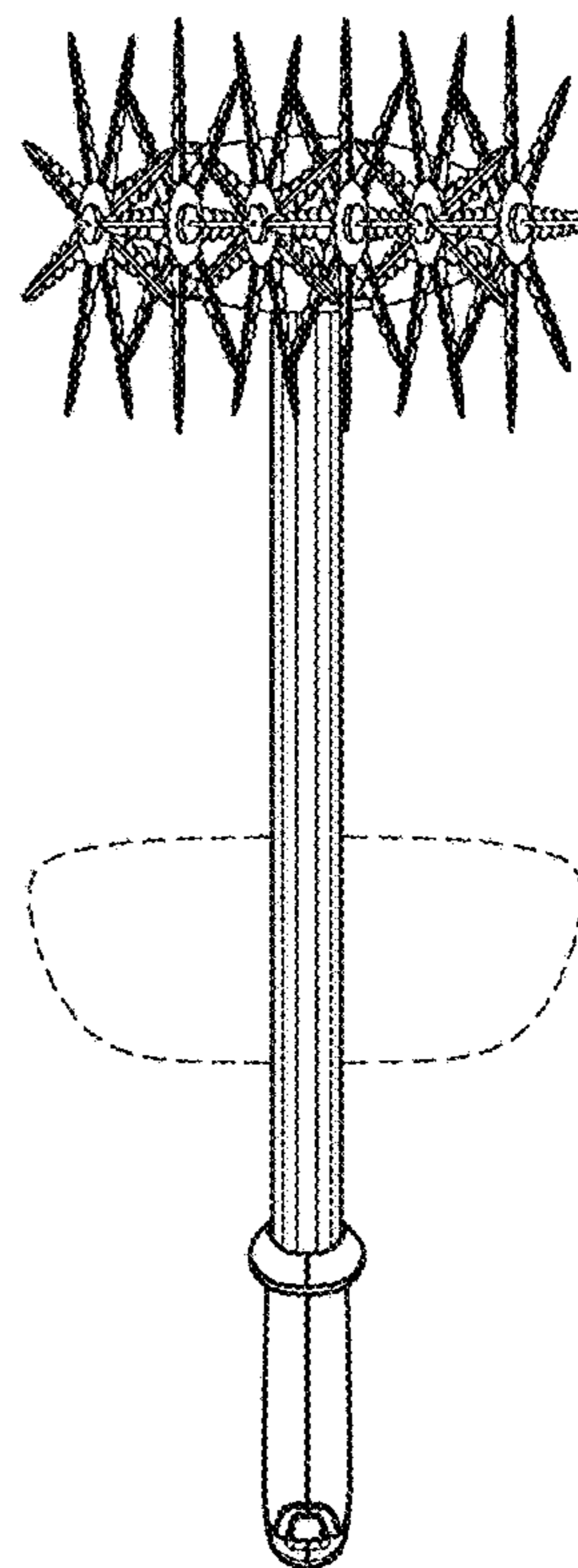


FIG. 7