



US00D868551S

(12) **United States Design Patent**
Spierings

(10) **Patent No.:** **US D868,551 S**

(45) **Date of Patent:** **** Dec. 3, 2019**

(54) **FASTENING CLIP**

(71) Applicant: **Bato Plastics B.V.**, Zevenbergen (NL)

(72) Inventor: **Gert-Jan M. Spierings**, Hoogstraten (BE)

(73) Assignee: **BATO PLASTICS B.V.**, Zevenbergen (NL)

(**) Term: **15 Years**

(21) Appl. No.: **29/636,205**

(22) Filed: **Feb. 7, 2018**

(30) **Foreign Application Priority Data**

Aug. 8, 2017 (EM) 004138147-0001

(51) **LOC (12) Cl.** **08-01**

(52) **U.S. Cl.**
USPC **D8/1**

(58) **Field of Classification Search**

USPC D8/1, 391, 349, 356, 396; D25/122, 132,
D25/131; D26/138; D21/840

CPC A01G 17/14; A01G 17/06; A01G 13/0225;
A01G 9/12; E04H 17/12

See application file for complete search history.

(56) **References Cited**

U.S. PATENT DOCUMENTS

D311,487 S *	10/1990	Platt	D8/356
D322,389 S *	12/1991	Harmon	D8/371
D390,453 S *	2/1998	Hamerski	D8/396
5,788,302 A *	8/1998	Barrash	B65D 71/50 206/148
D575,632 S *	8/2008	Morelock	D8/356
D601,718 S *	10/2009	Chang	D25/61
D668,934 S *	10/2012	Warner	D8/356
D713,242 S *	9/2014	Magan	D8/396
D824,756 S *	8/2018	Fischer	D8/395

D838,471 S *	1/2019	Young	D3/201
2016/0319566 A1 *	11/2016	Carter	A01G 17/14
2018/0106063 A1 *	4/2018	De Kleine	E04H 12/2269

OTHER PUBLICATIONS

Bato, Trosbeugel HMR 6,0 mm, 2019, <http://www.bato.nl/cms/publish/content/showpage.asp?pageid=2598> (Year: 2019).*

AmHydro, AmHydro Vine Truss Support Clips, <https://shop.amhydro.com/products/30231> (Year: 2019).*

Declaration of Gert-Jan Spierings (dated Feb. 6, 2019).

* cited by examiner

Primary Examiner — Sheryl Lane

(74) *Attorney, Agent, or Firm* — Hovey Williams LLP

(57) **CLAIM**

The ornamental design for a fastening clip, as shown and described.

DESCRIPTION

FIG. 1 is a top perspective of a fastening clip embodying my design;

FIG. 2 is another top perspective of the fastening clip shown in FIG. 1;

FIG. 3 is a bottom view of the fastening clip shown in FIGS. 1 and 2;

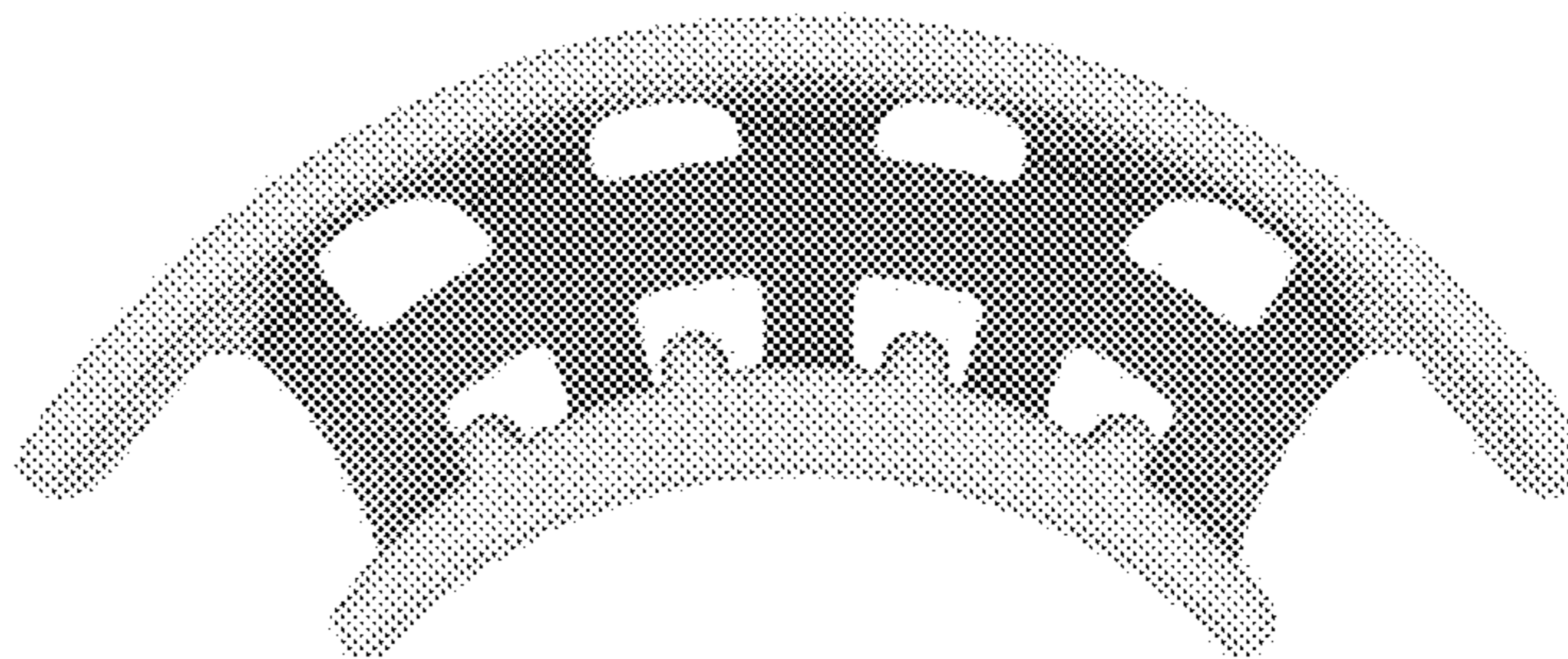
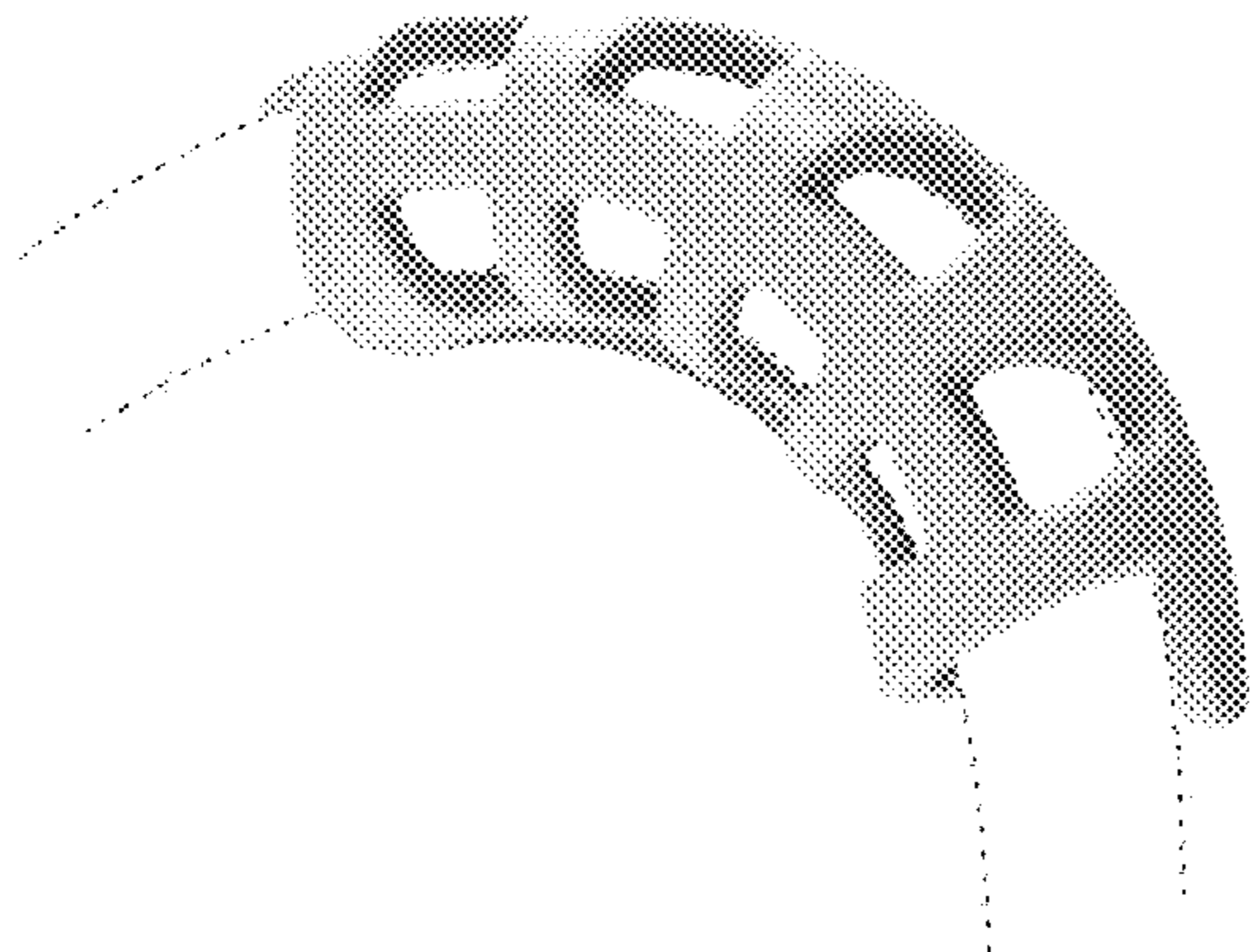
FIG. 4 is a front perspective of the fastening clip shown in FIGS. 1-3;

FIG. 5 is a rear perspective of the fastening clip shown in FIGS. 1-4; and,

FIG. 6 is a side perspective of the fastening clip shown in FIGS. 1-5.

The broken lines in FIG. 1 represent environment and form no part of the claimed design.

1 Claim, 6 Drawing Sheets



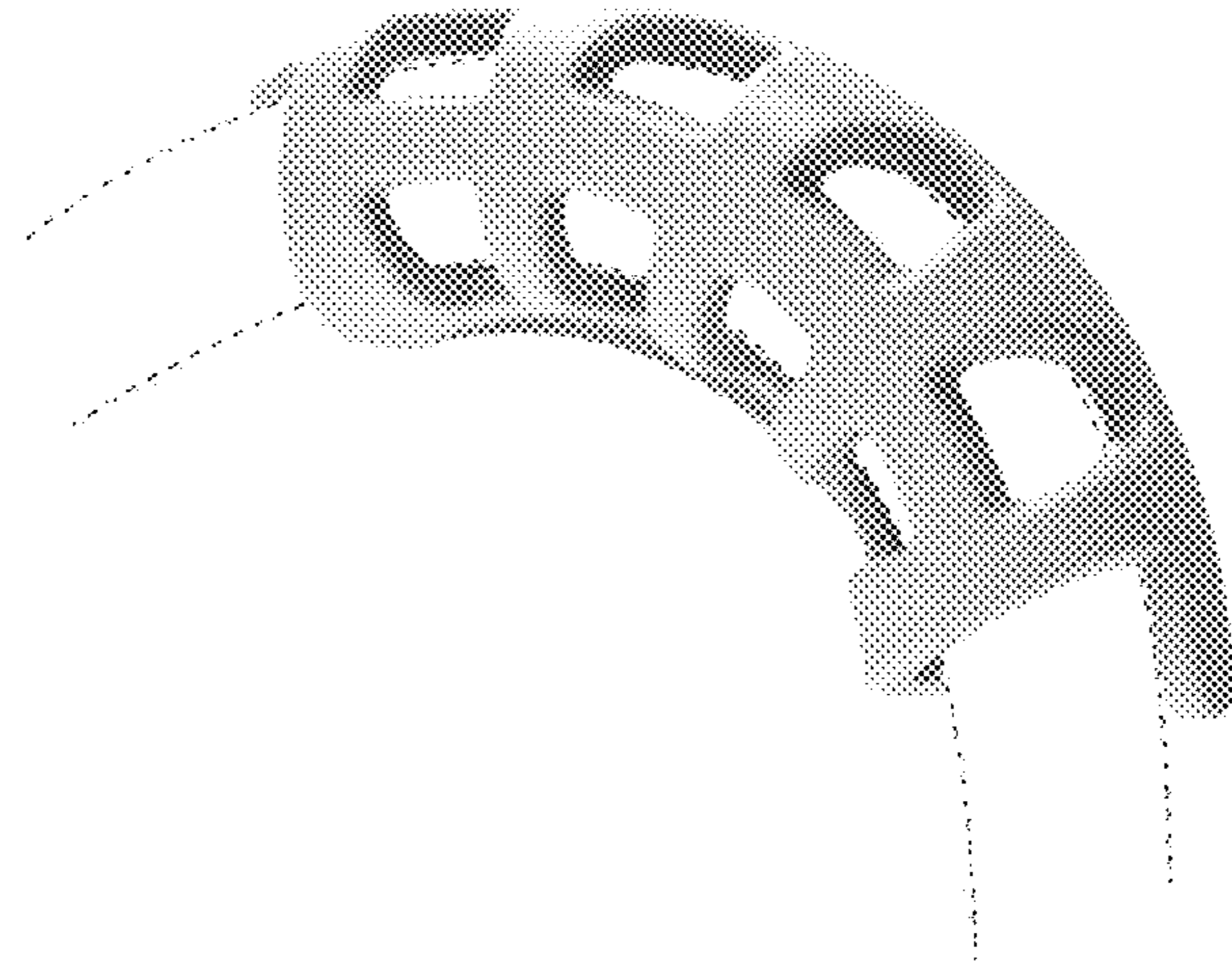


FIG. 1

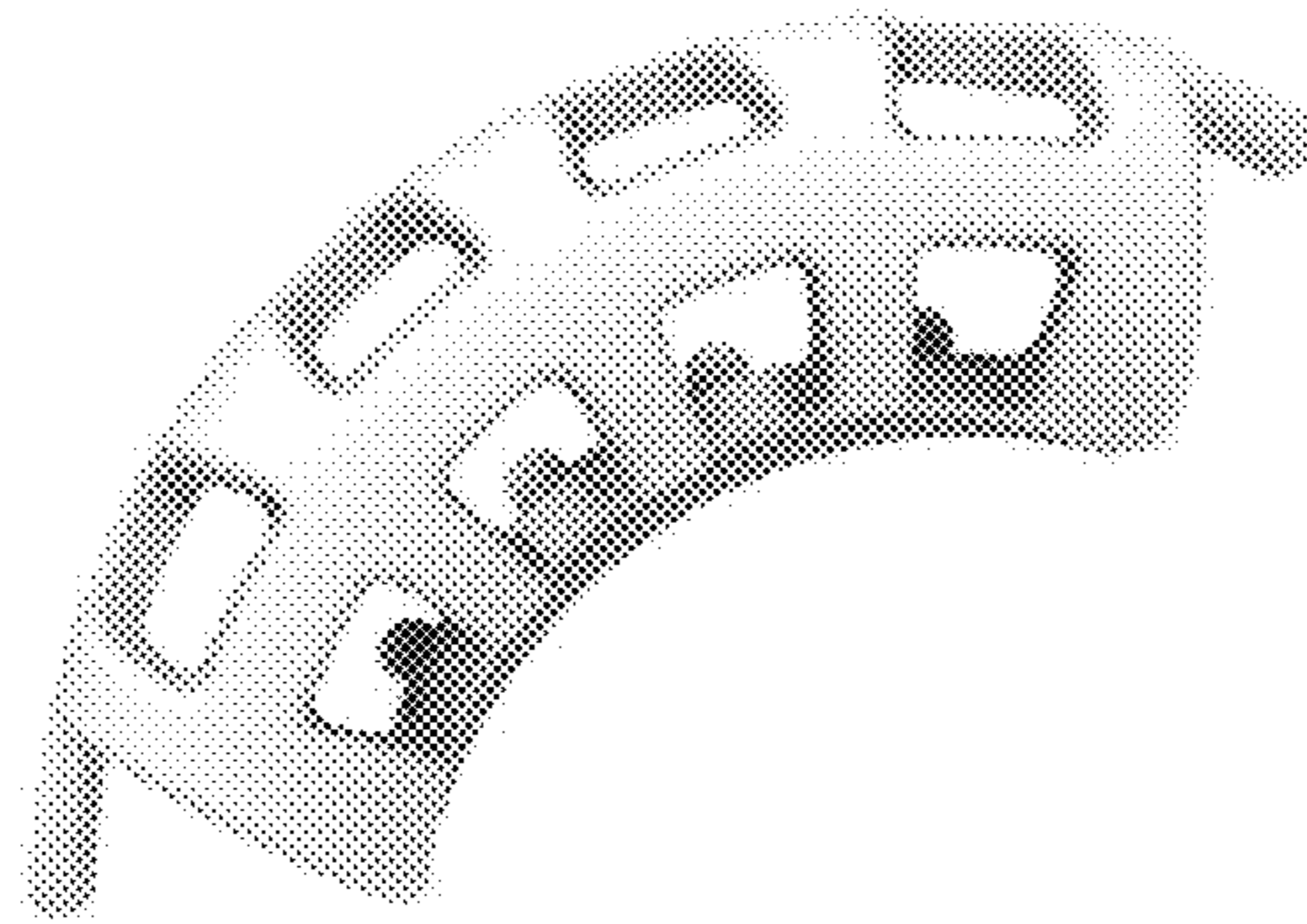


FIG. 2

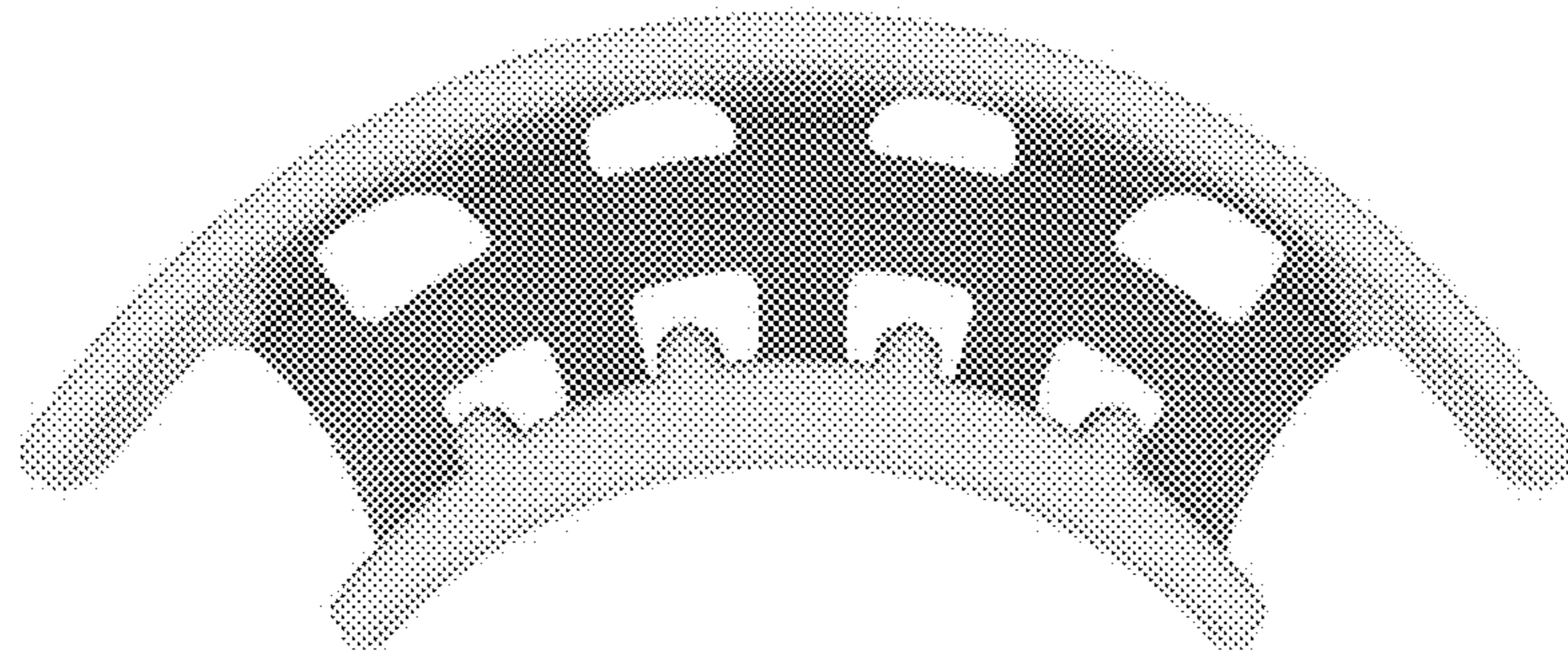


FIG. 3

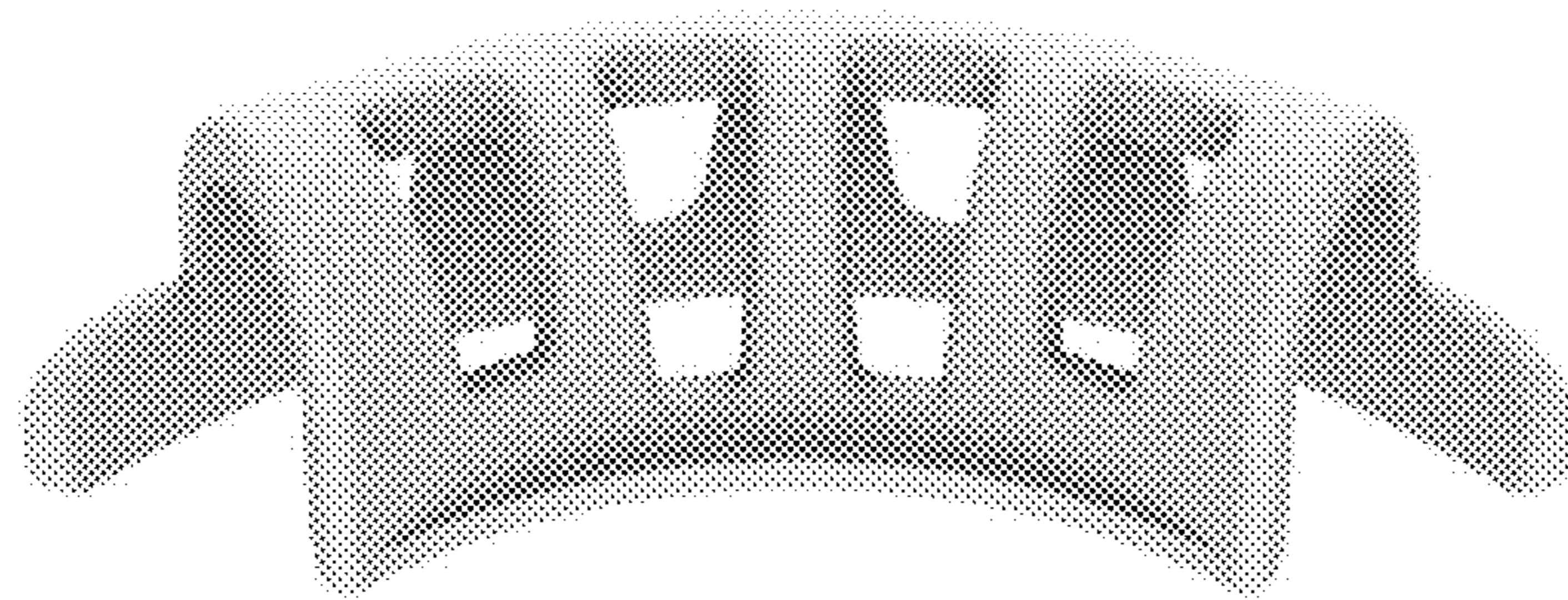


FIG. 4

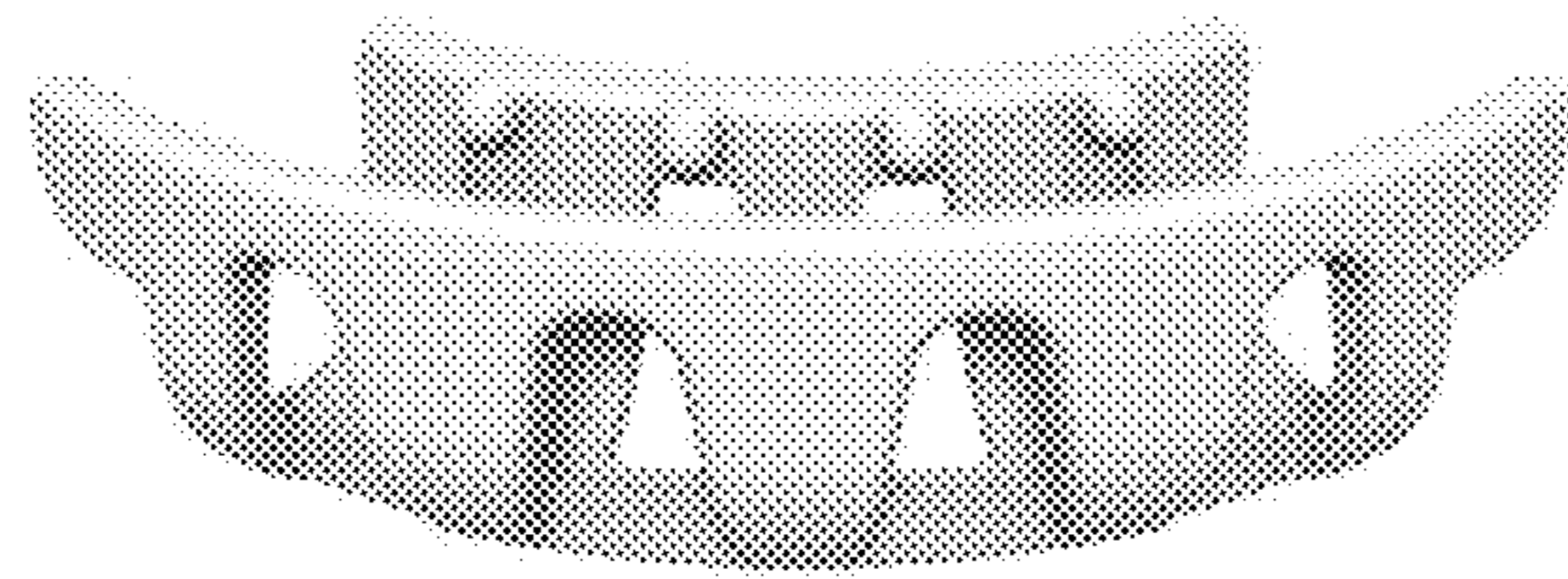


FIG. 5

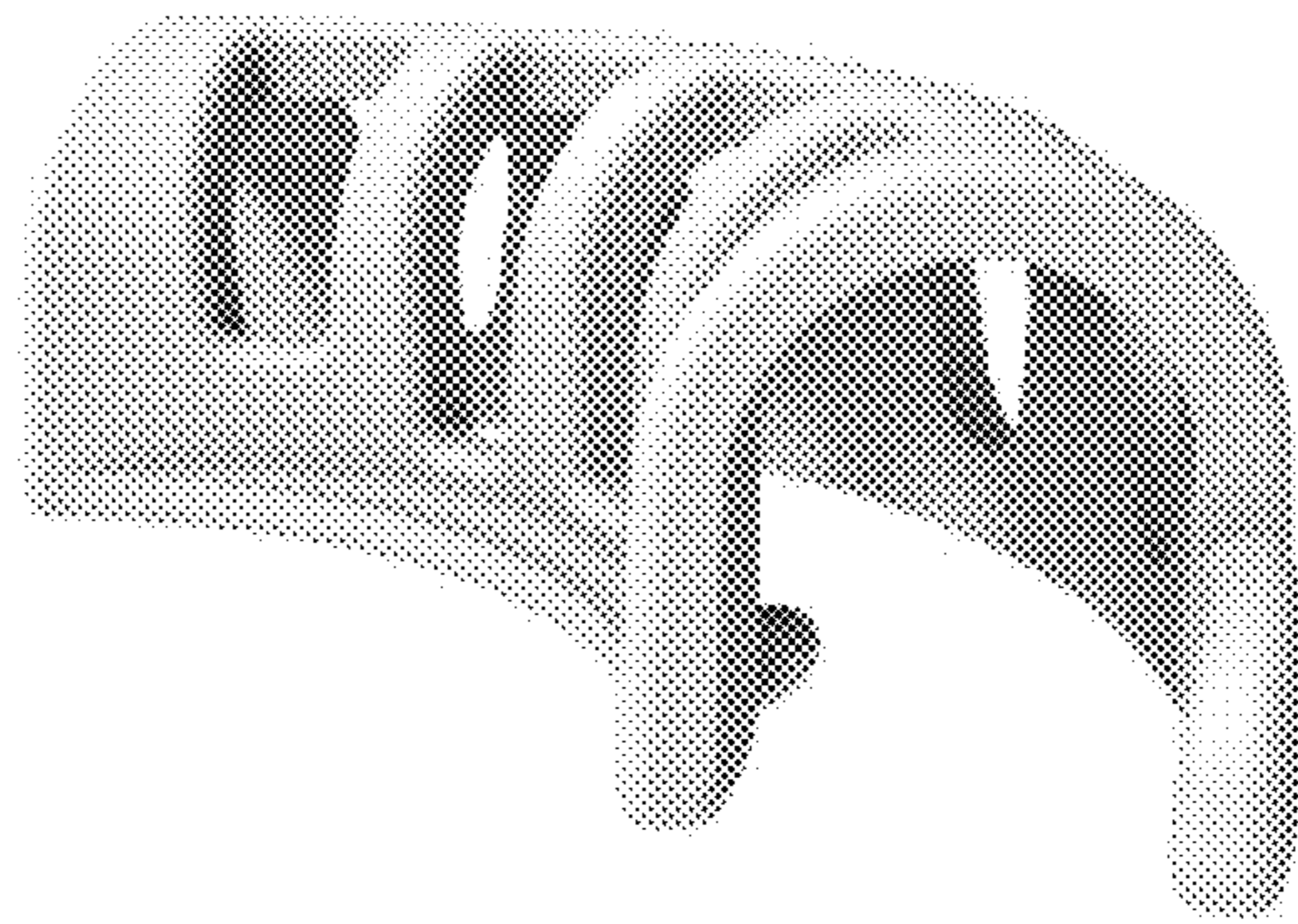


FIG. 6