



US00D868550S

(12) **United States Design Patent**  
**Steel**

(10) **Patent No.:** **US D868,550 S**

(45) **Date of Patent:** **\*\* Dec. 3, 2019**

(54) **FUNNEL**

(71) Applicant: **Jeffrey Steel**, Wood Ridge, NJ (US)

(72) Inventor: **Jeffrey Steel**, Wood Ridge, NJ (US)

(73) Assignee: **Cotapaxi Custom Design and Manufacturing LLC**, Carlstadt, NJ (US)

(\*\*) Term: **15 Years**

(21) Appl. No.: **29/650,260**

(22) Filed: **Jun. 5, 2018**

(51) **LOC (12) Cl.** ..... **07-99**

(52) **U.S. Cl.**  
USPC ..... **D7/700**

(58) **Field of Classification Search**  
USPC ..... D7/12, 216, 318, 372, 400, 669, 691, D7/700; D8/1, 2, 34; D9/436, 719, 702, D9/707, 712; D10/46.2, 64; D12/197; D15/136, 138, 150, 152, 199; D21/209, D21/212; D23/200, 209, 212; D24/109, D24/112, 122, 127, 162; D30/121, 162; D34/2  
CPC ..... B67C 11/02; B67C 11/00; B65D 25/48; B65D 41/04; B65D 51/24; B65D 88/26; B65D 2231/007

See application file for complete search history.

(56) **References Cited**

**U.S. PATENT DOCUMENTS**

55,941 A *	6/1866	Whitney	.....	B67C 11/02
				141/297
1,396,606 A *	11/1921	Vincent	.....	B67C 11/02
				141/326
2,811,181 A *	10/1957	Correll	.....	B67C 11/02
				141/340
3,245,437 A *	4/1966	Holz	.....	B67C 11/02
				141/331

D205,236 S *	7/1966	Ilg	.....	D7/700
D205,678 S *	9/1966	Williams	.....	D7/700
D217,381 S *	4/1970	Douglas	.....	D7/400
D282,432 S *	2/1986	Gurka	.....	D23/200
D282,807 S *	3/1986	Hasse	.....	D7/700
D310,123 S *	8/1990	Carlson	.....	D23/200
D382,448 S *	8/1997	Maique	.....	D7/700
D415,552 S *	10/1999	Malorni	.....	D23/200
D498,992 S *	11/2004	Bloom	.....	D7/700
D511,455 S *	11/2005	Newell	.....	D9/436
D555,439 S *	11/2007	Fletcher	.....	D15/150
D564,832 S *	3/2008	Bodum	.....	D7/399

(Continued)

**OTHER PUBLICATIONS**

Polypropylene Vented Funnel:Announced Jul. 29, 2015 [online]. Site Visited [Sep. 23, 2019]. Available from Internet URL:https://www.usplastic.com/catalog/item.aspx?itemid=82031&catid=1072.\*

(Continued)

*Primary Examiner* — Jennifer Rivard  
*Assistant Examiner* — Catherine S Posthauer  
(74) *Attorney, Agent, or Firm* — Steven E. Shapiro

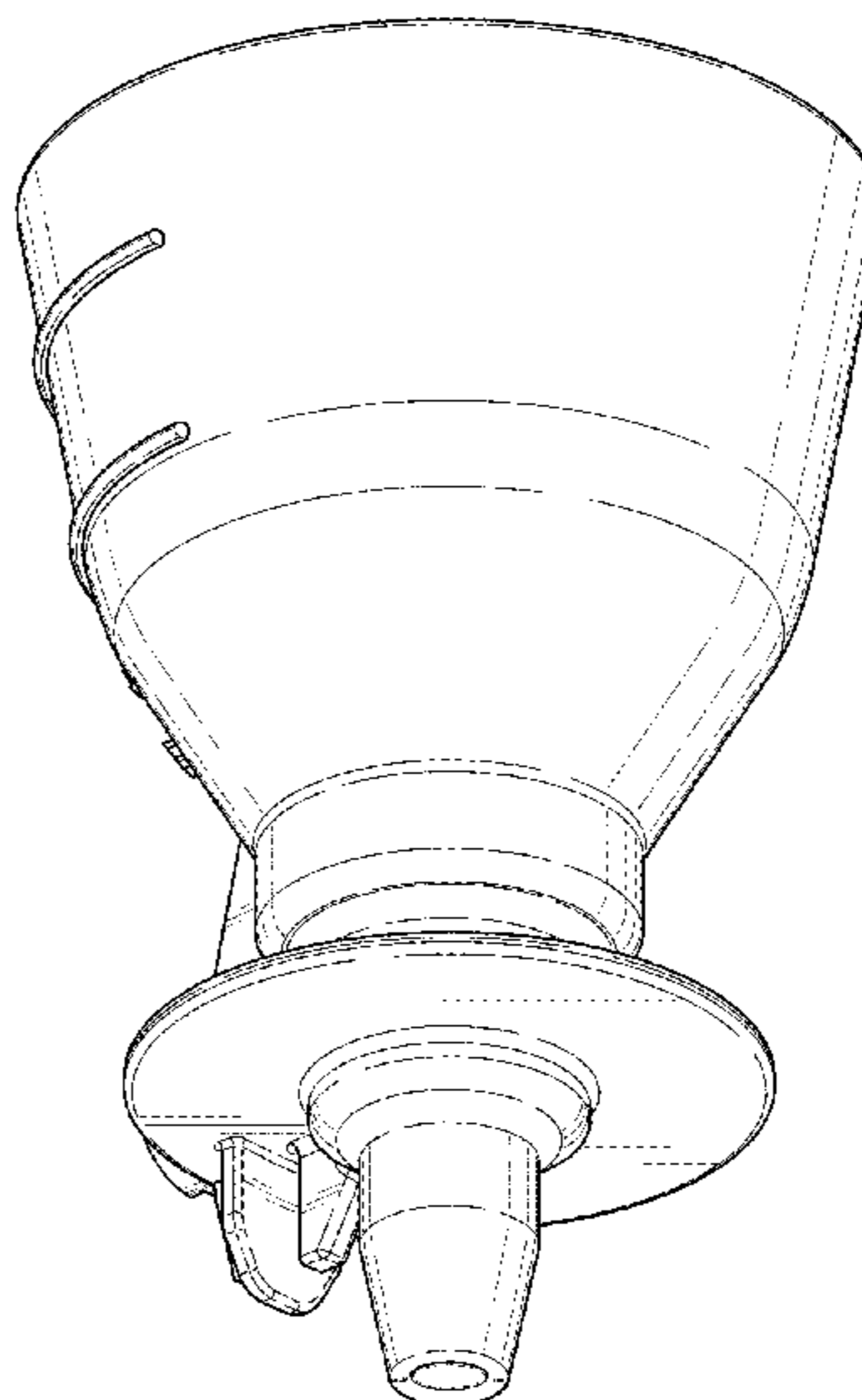
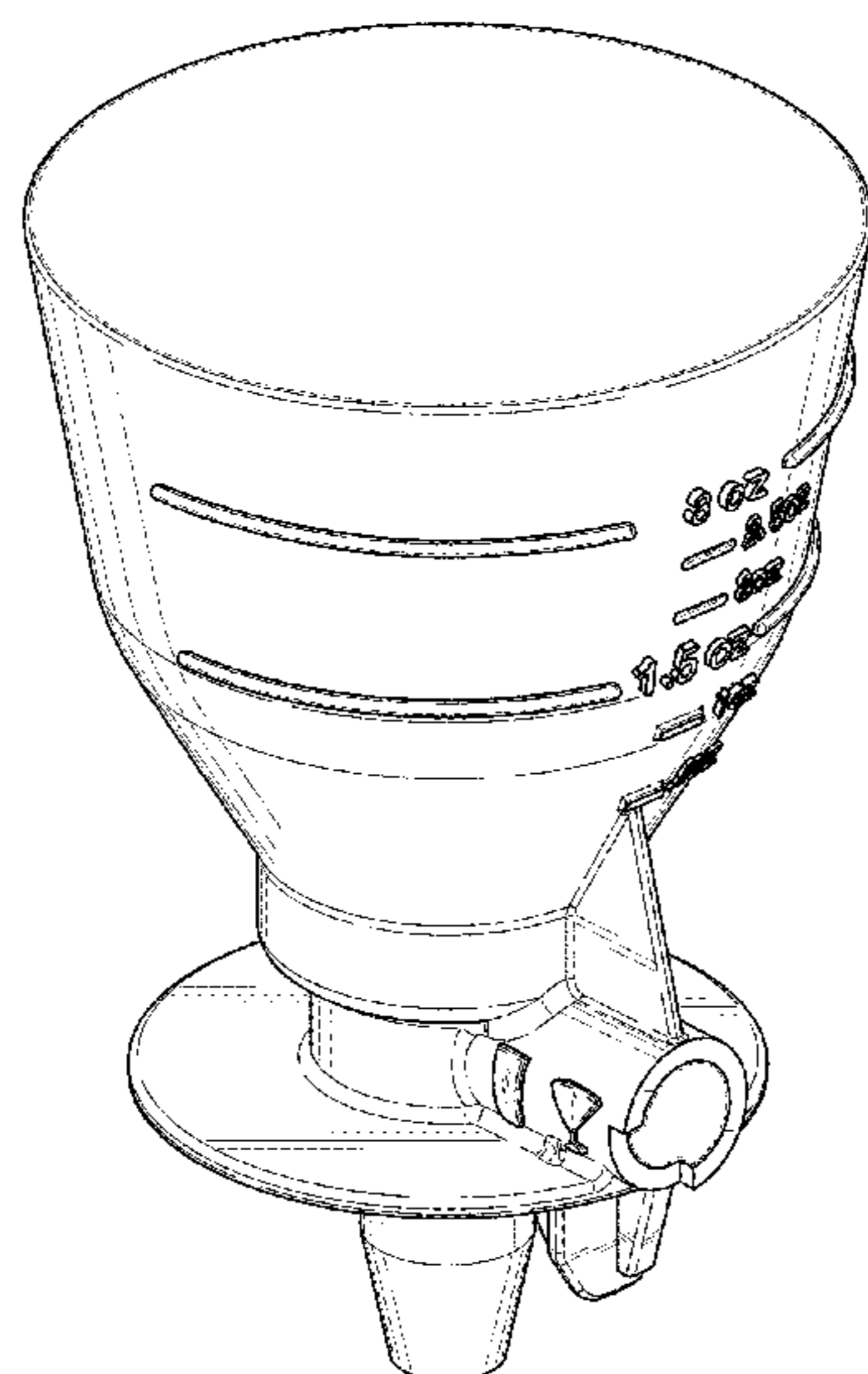
(57) **CLAIM**

The ornamental design for a funnel, as shown and described.

**DESCRIPTION**

FIG. 1 is a front, left, top perspective view of a funnel; FIG. 2 is a rear, right, bottom perspective view of the funnel; FIG. 3 is a front plan view of the funnel; FIG. 4 is a rear plan view of the funnel; FIG. 5 is a left side plan view of the funnel; FIG. 6 is a right side plan view of the funnel; FIG. 7 is a top plan view of the funnel; and, FIG. 8 is a bottom plan view of the funnel. The broken lines represent boundaries of the claim and form no part thereof.

**1 Claim, 8 Drawing Sheets**



(56)

**References Cited**

U.S. PATENT DOCUMENTS

D629,269 S \* 12/2010 Okamoto ..... D7/700  
D670,141 S \* 11/2012 Cetera ..... D7/691  
D670,142 S \* 11/2012 Cetera ..... D7/691  
D670,143 S \* 11/2012 Cetera ..... D7/691  
D713,221 S \* 9/2014 Meyer ..... D8/1  
D725,975 S \* 4/2015 Klenk ..... D10/46.2  
D750,677 S \* 3/2016 Liao ..... D15/150  
2011/0011488 A1\* 1/2011 Sickler ..... B67C 11/02  
141/1  
2019/0039872 A1\* 2/2019 Kelly ..... B67C 11/00  
2019/0194008 A1\* 6/2019 Kline ..... B67C 11/02

OTHER PUBLICATIONS

Recycling Funnel: Announced [Mar. 10, 2015] [Online]. Site Visite  
[Sep. 23, 2019]. Available from Internet URL: <http://geoplastics.com/hands-free-recycling-funnel/>.\*

\* cited by examiner

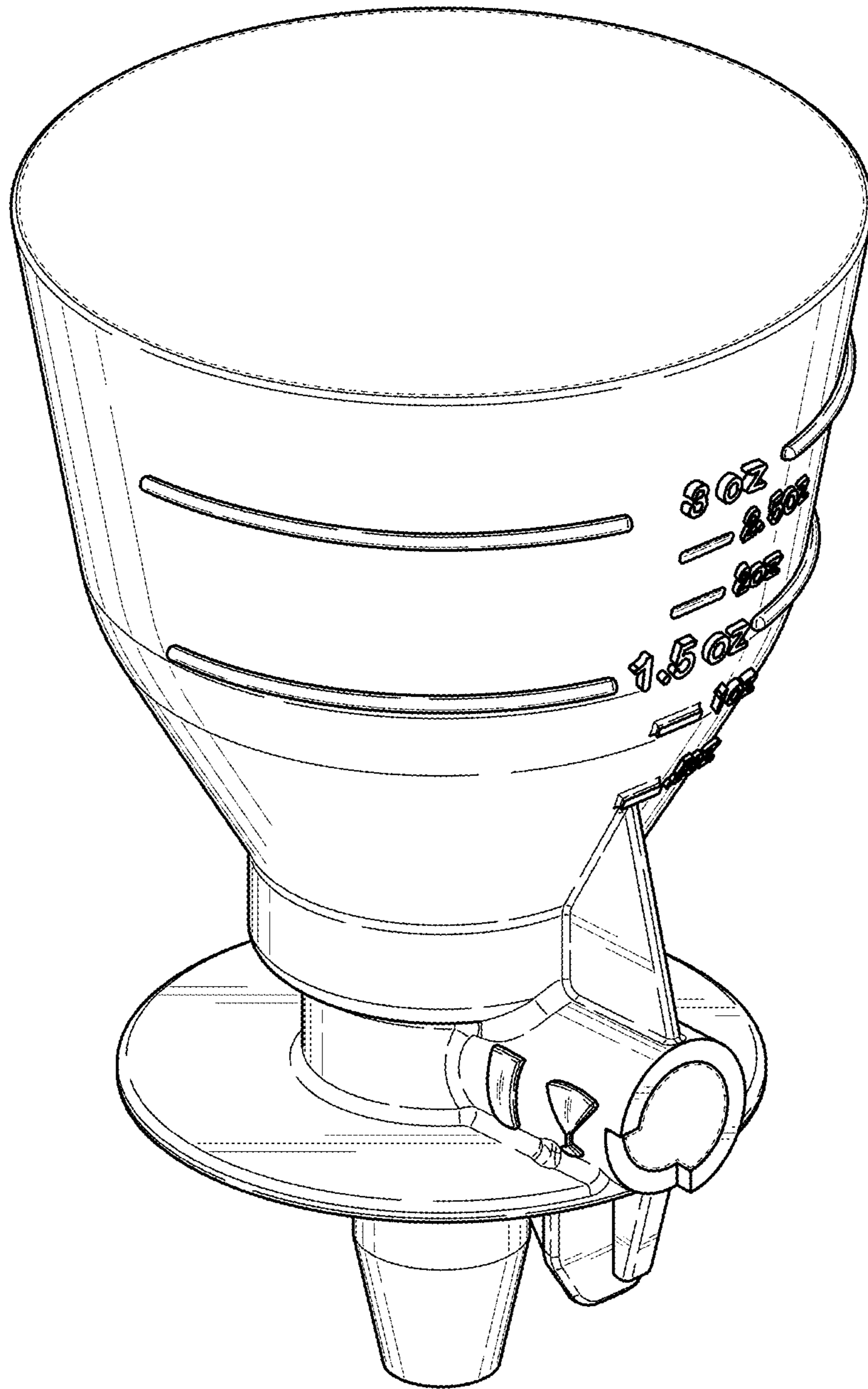


FIG. 1

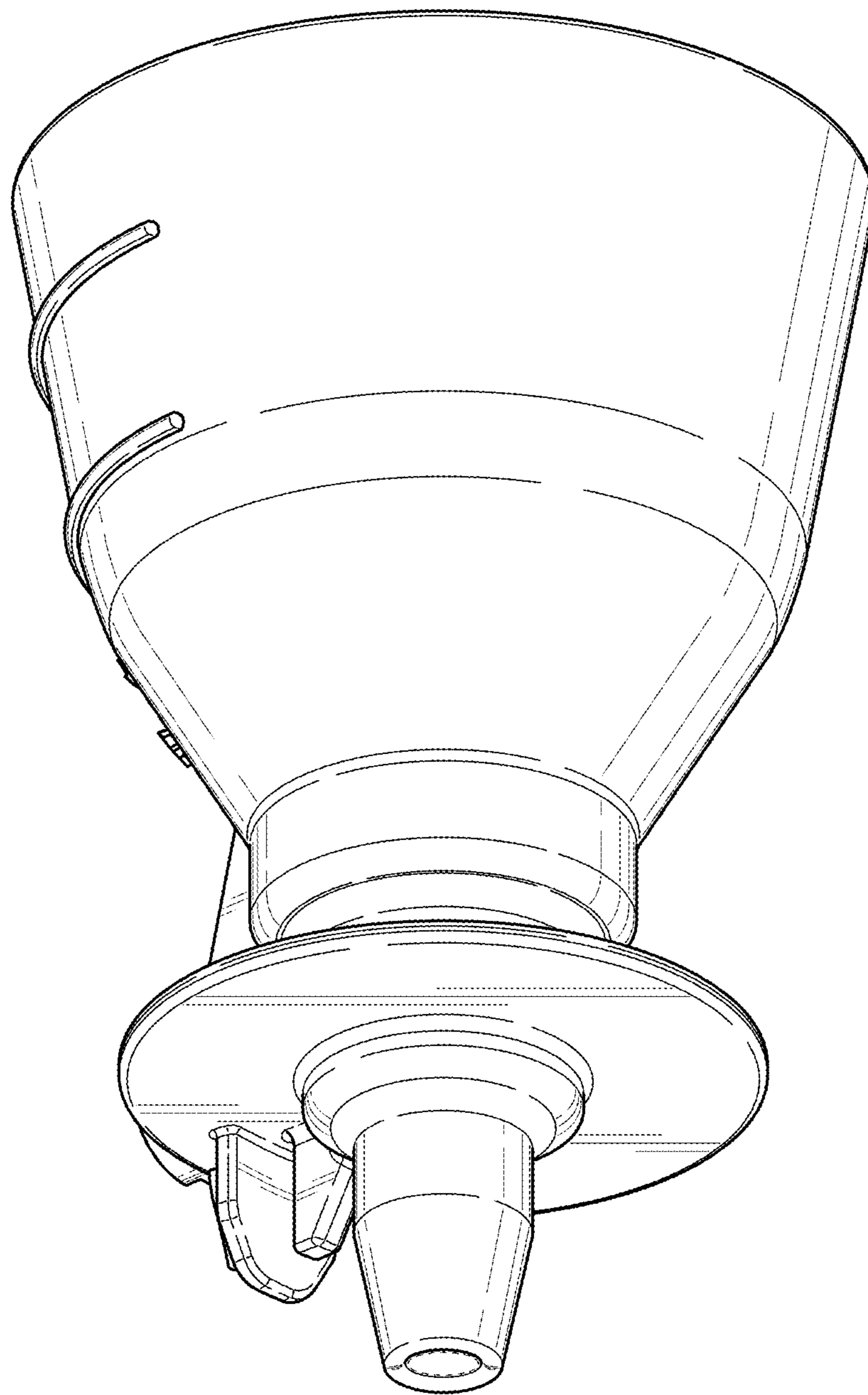


FIG. 2



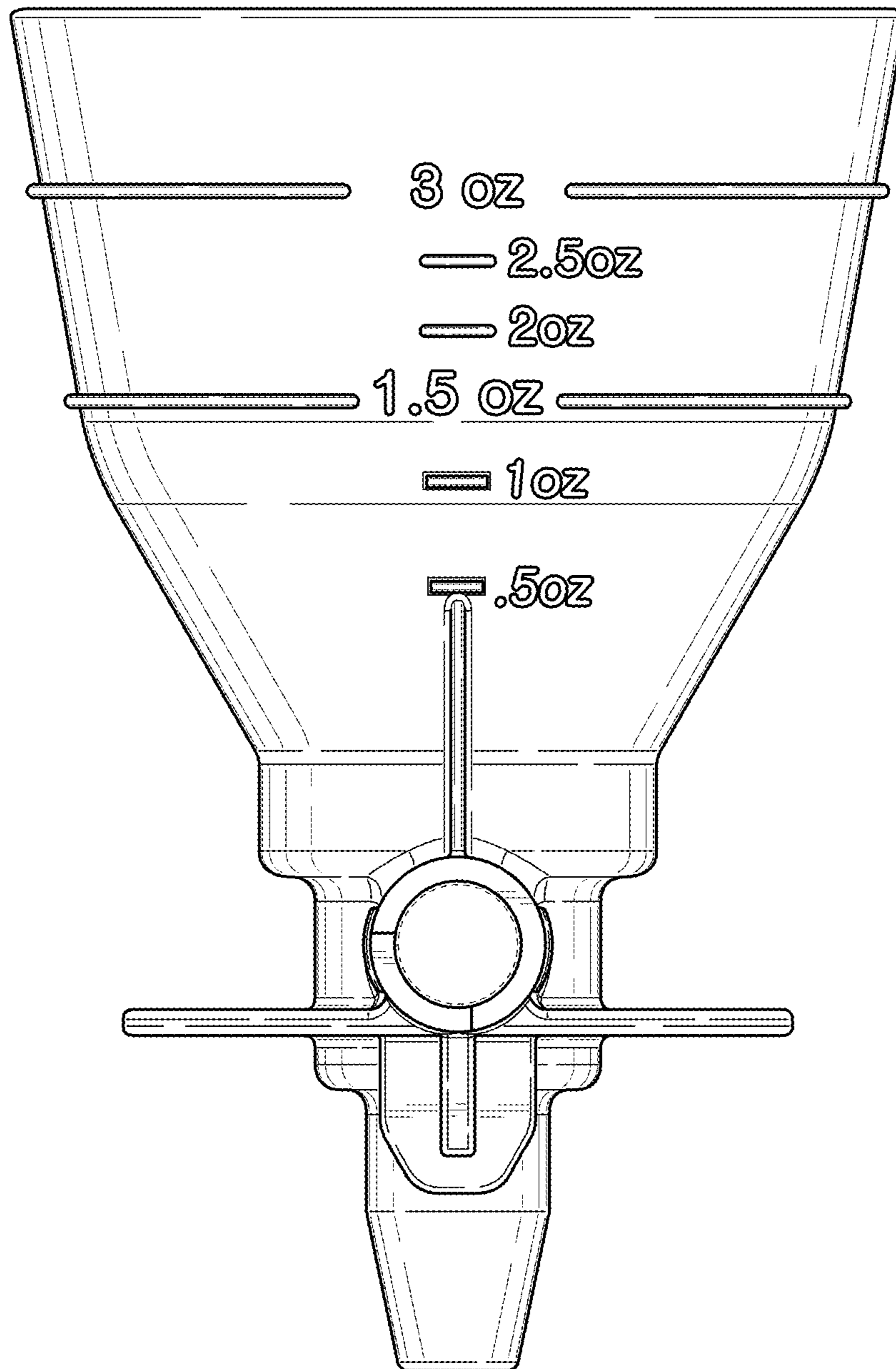


FIG. 3

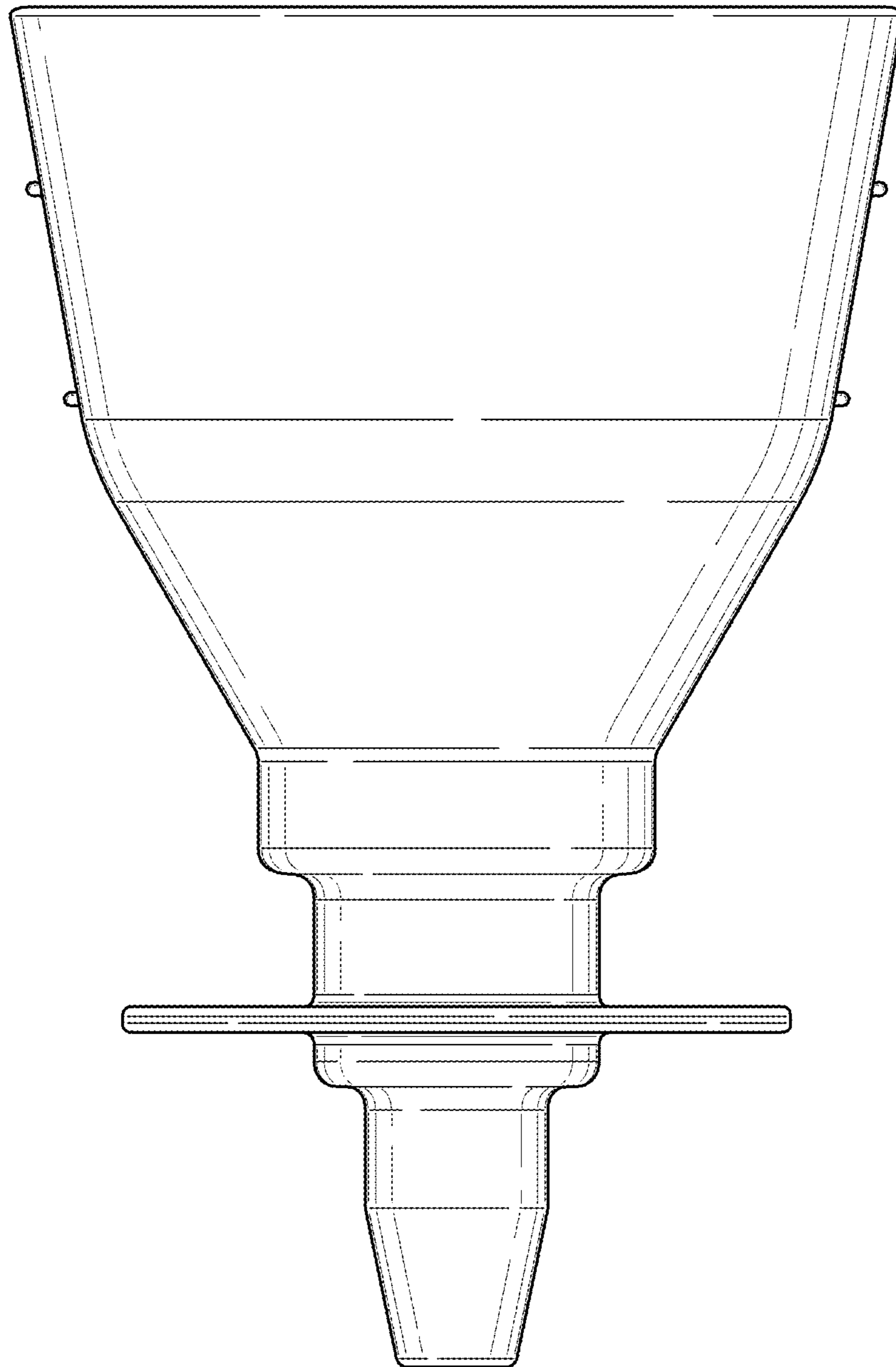


FIG. 4

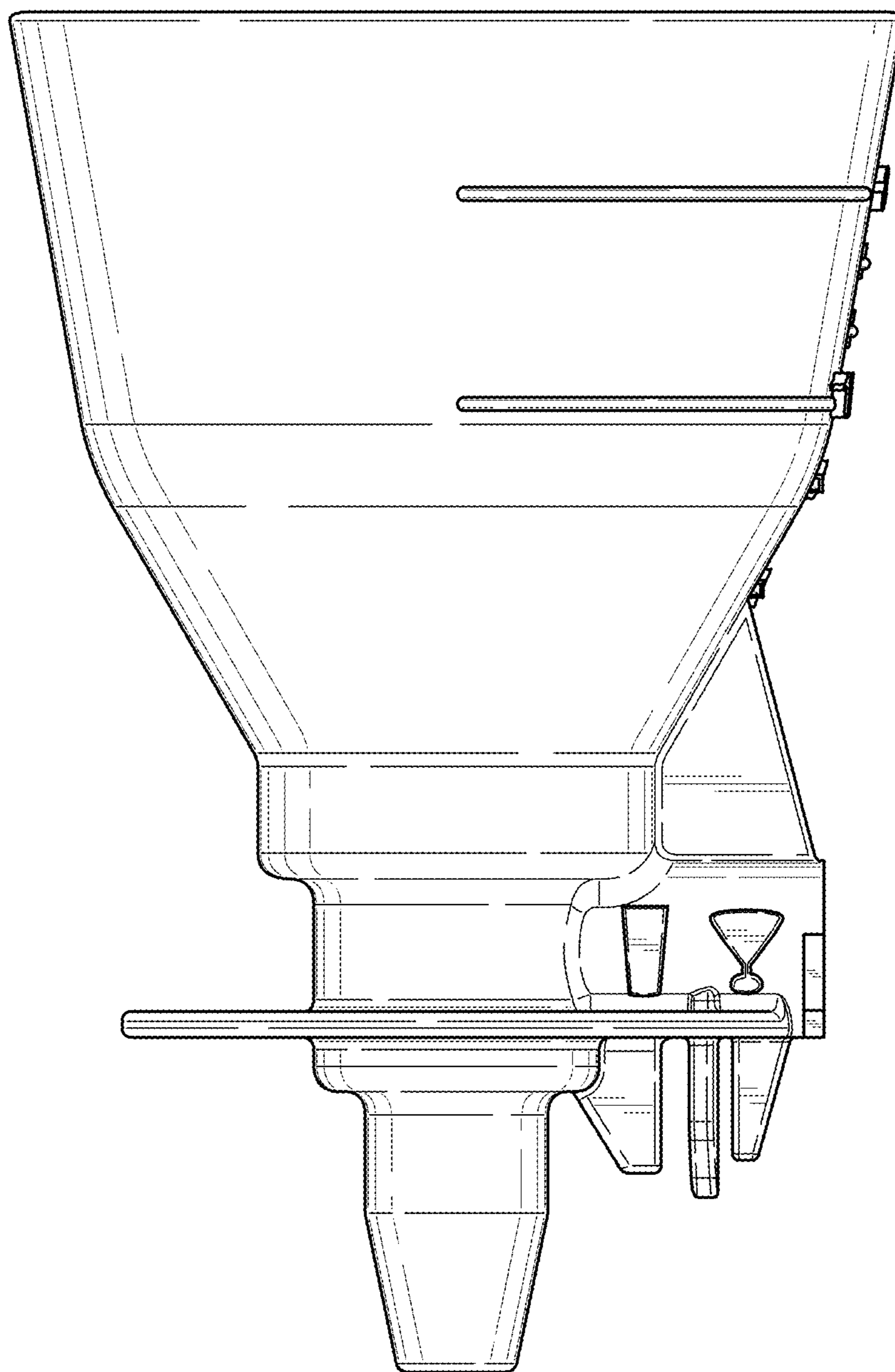


FIG. 5

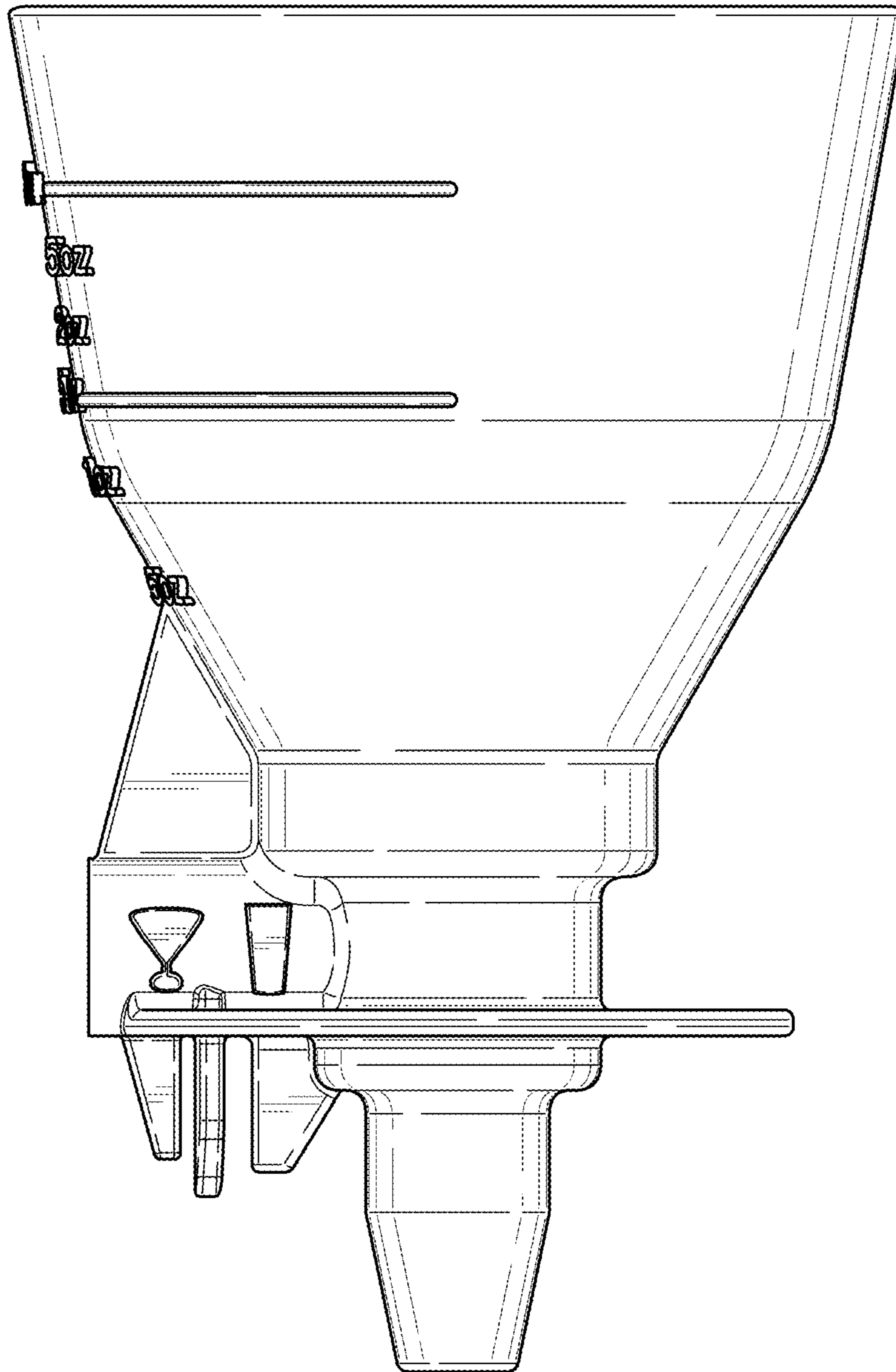
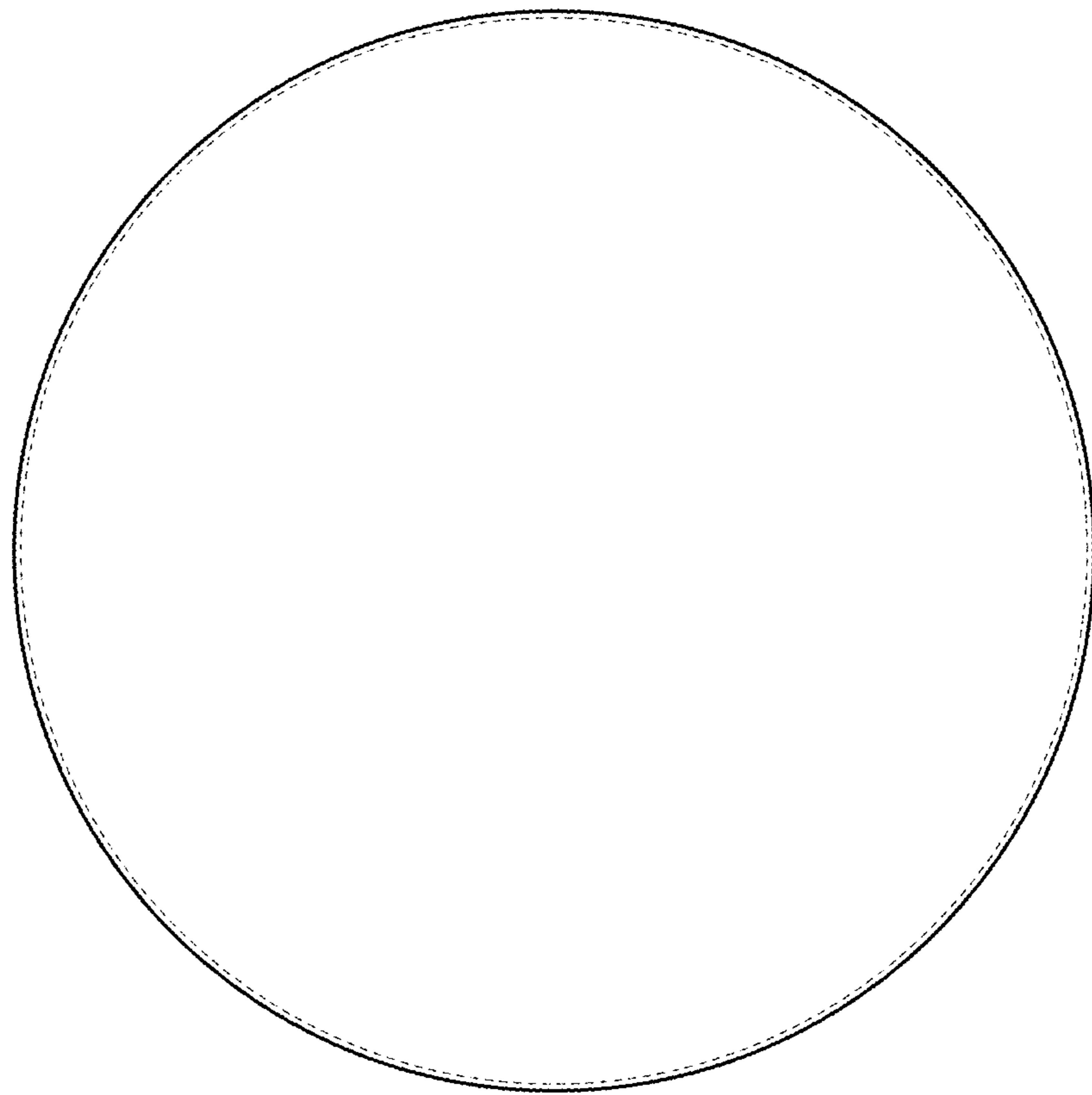


FIG. 6





**FIG. 7**

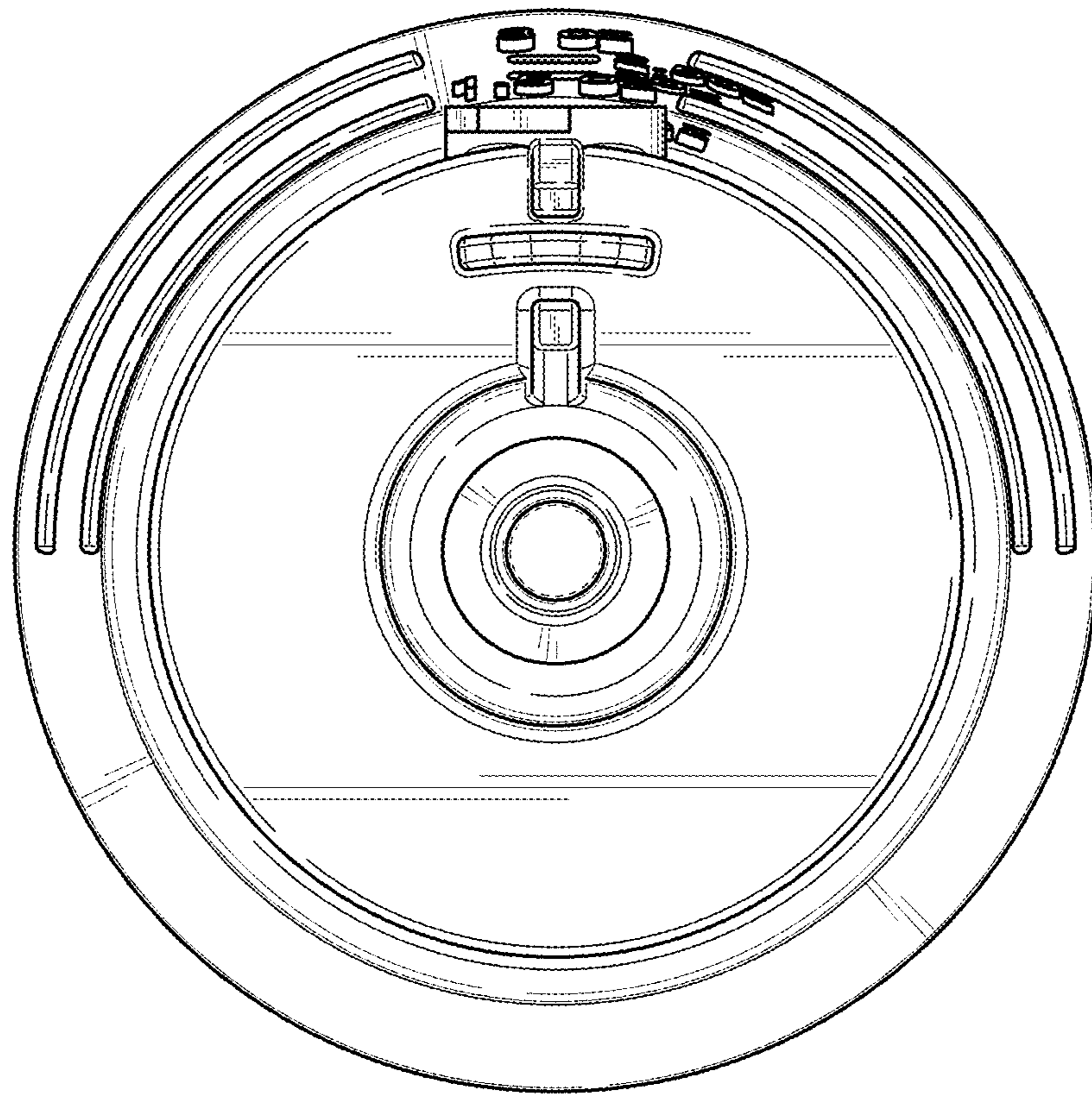


FIG. 8