



US00D868547S

(12) **United States Design Patent** (10) **Patent No.:** **US D868,547 S**
Moore (45) **Date of Patent:** **** Dec. 3, 2019**

(54) **CUP HOLDER WITH A RIGHT-SIDE PHONE HOLDER**

(71) Applicant: **Amiee Moore**, Wichita, KS (US)

(72) Inventor: **Amiee Moore**, Wichita, KS (US)

(**) Term: **15 Years**

(21) Appl. No.: **29/649,502**

(22) Filed: **May 30, 2018**

(51) **LOC (12) Cl.** **07-06**

(52) **U.S. Cl.**
USPC **D7/620; D7/619.1**

(58) **Field of Classification Search**
USPC D7/619.1–625, 701–708; D3/201, 202, D3/304, 313, 315
CPC B60N 3/103; A47G 23/0216; A47G 23/0225; A47G 23/03; A45F 5/00; A45F 3/44

See application file for complete search history.

(56) **References Cited**

U.S. PATENT DOCUMENTS

- 5,745,565 A * 4/1998 Wakefield B60N 3/103 224/926
D399,707 S * 10/1998 Villarreal, Jr. D7/607
D516,393 S * 3/2006 Wickenhauser D7/619.1
9,357,829 B1 * 6/2016 Ikier A45F 3/44
9,615,684 B2 * 4/2017 Deakin A47G 23/0216

- 2009/0189043 A1* 7/2009 Schimmeyer B60N 3/103 248/311.2
2014/0124632 A1* 5/2014 Bouse A47G 23/0225 248/205.1
2015/0069096 A1* 3/2015 Kampas A45F 5/00 224/148.6

* cited by examiner

Primary Examiner — Terry A Wallace

(74) *Attorney, Agent, or Firm* — Russ Weinzimmer & Associates, P.C.

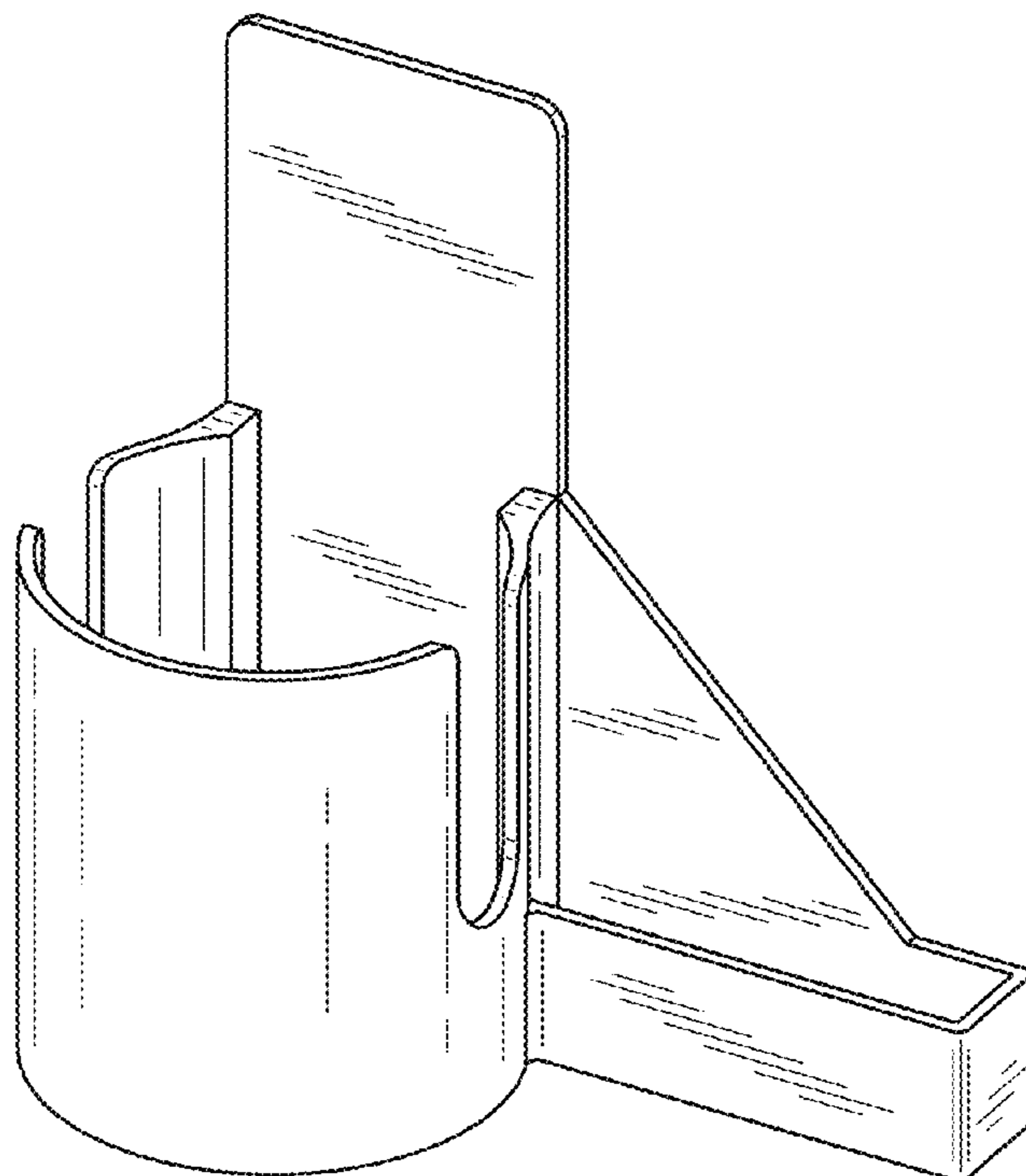
(57) **CLAIM**

The ornamental design for a cup holder with a right-side phone holder, as shown.

DESCRIPTION

FIG. 1 is a front top right side isometric view of a cup holder with a right-side phone holder showing my new design; FIG. 2 is a front top left side isometric view of a cup holder with a right-side phone holder showing my new design; FIG. 3 is a front view of a cup holder with a right-side phone holder showing my new design; FIG. 4 is a rear view of the cup holder with a right-side phone holder; FIG. 5 is a left side view of the cup holder with a right-side phone holder; FIG. 6 is a right side view of the cup holder with a right-side phone holder; FIG. 7 is a top view of the cup holder with a right-side phone holder; and, FIG. 8 is a bottom view of the cup holder with a right-side phone holder.

1 Claim, 4 Drawing Sheets



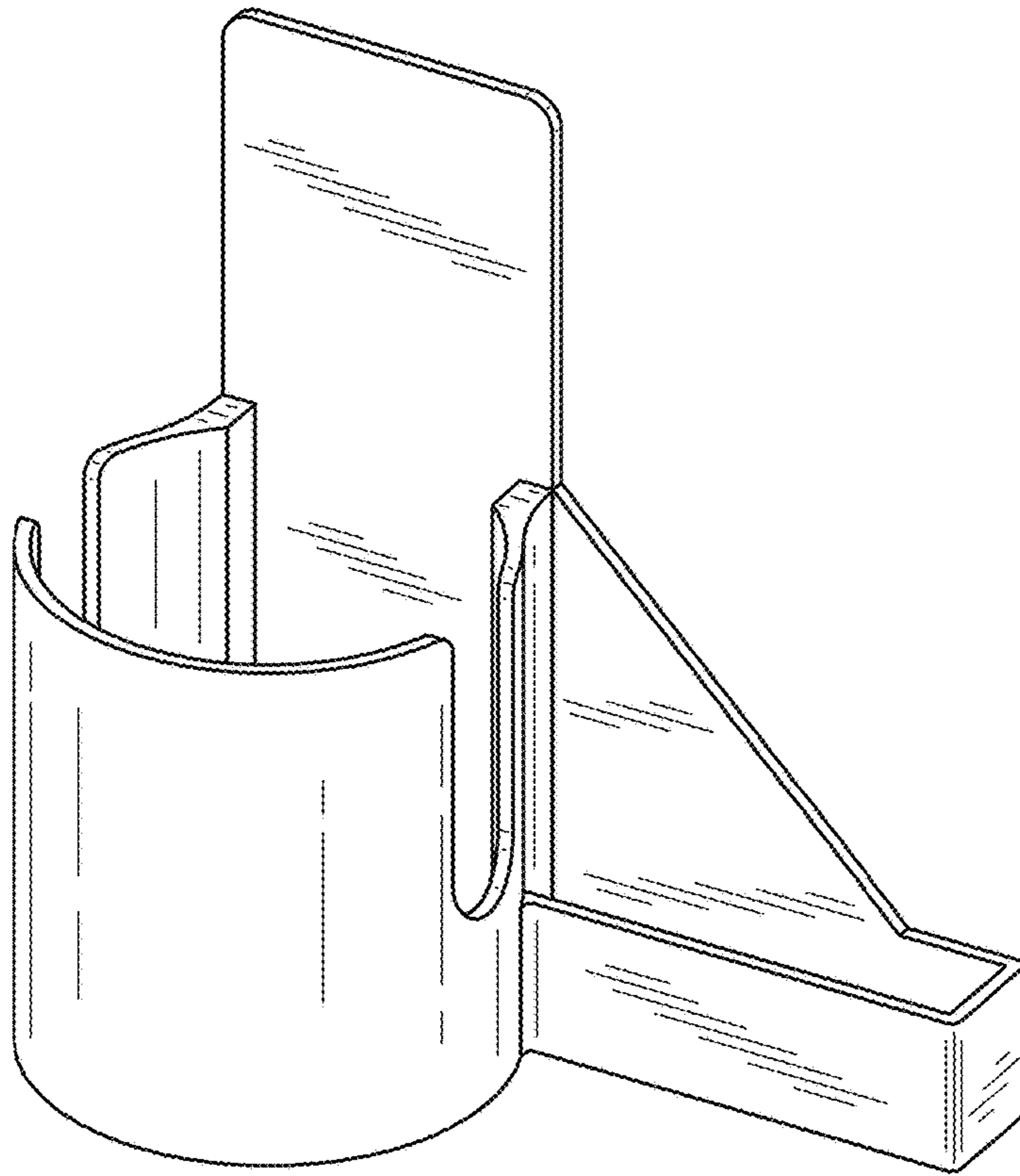


FIG. 1

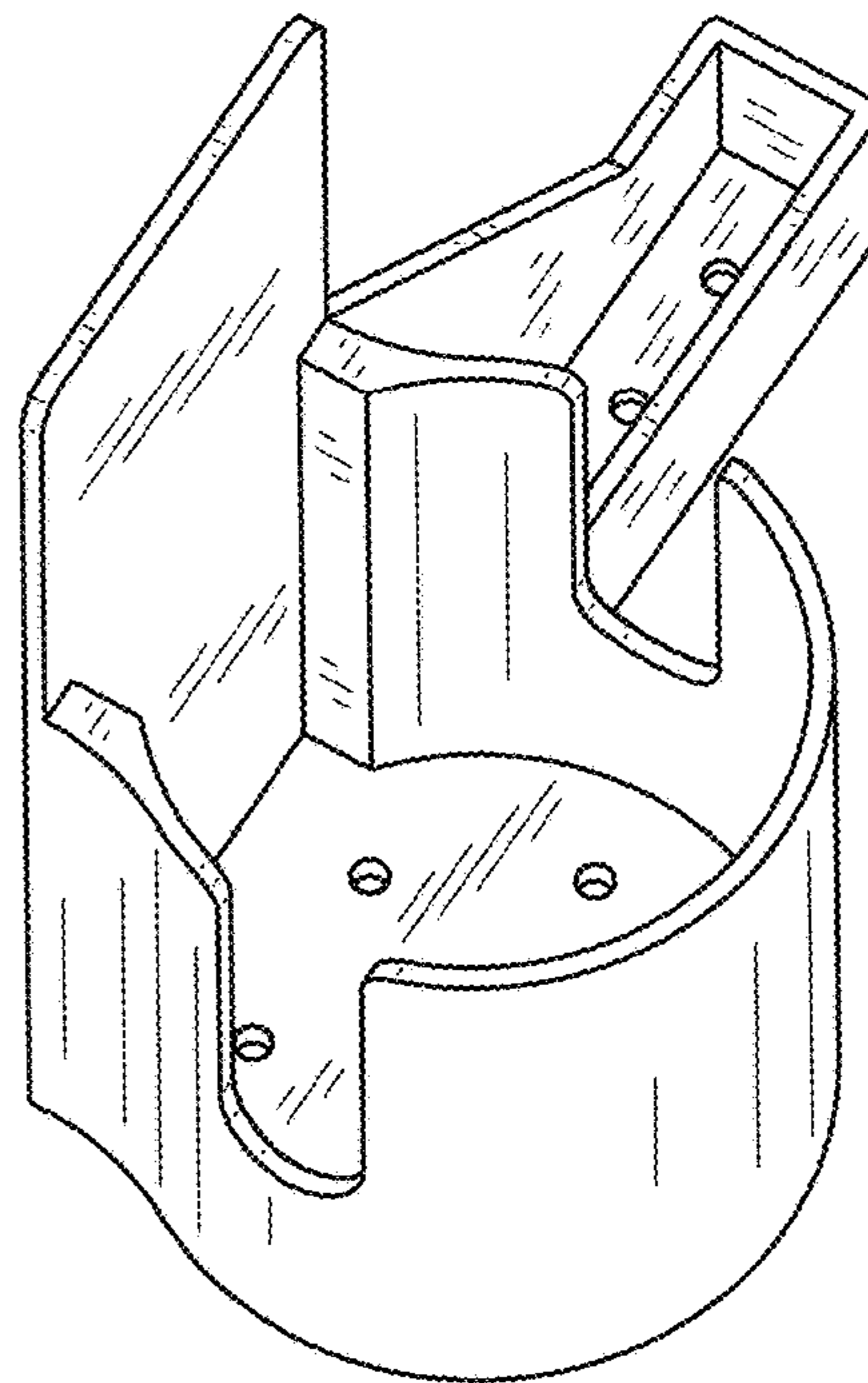


FIG. 2

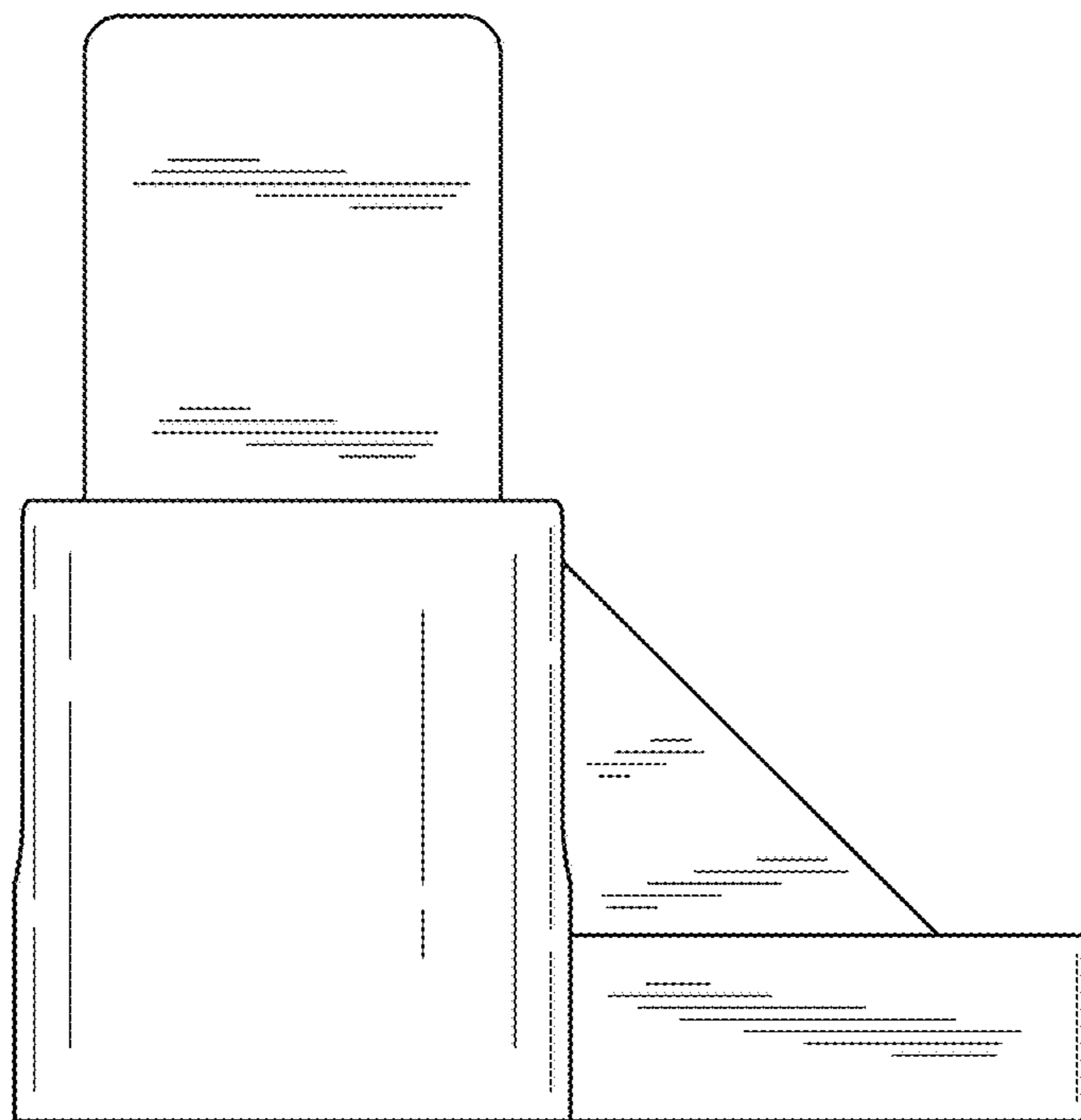


FIG. 3

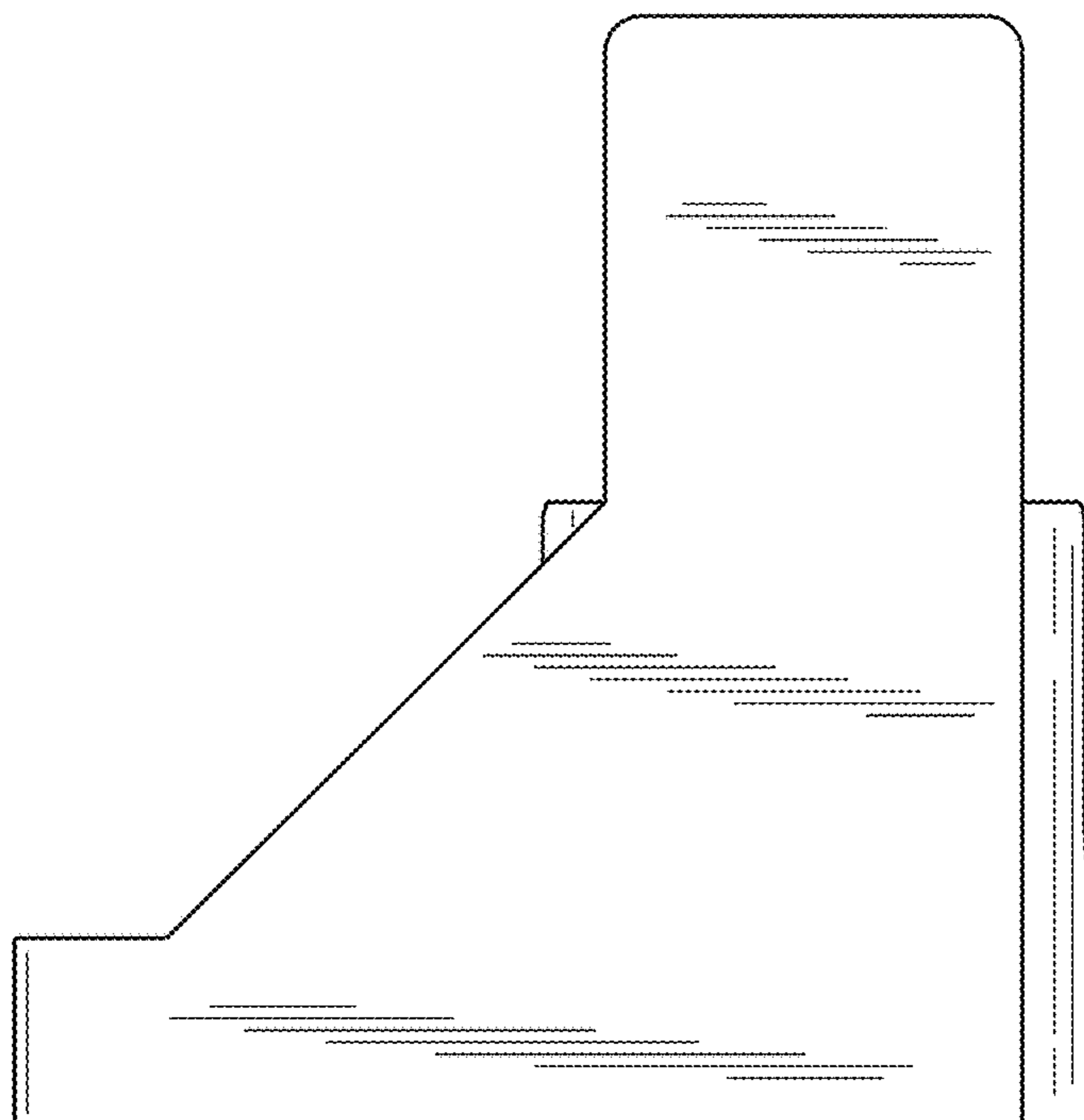


FIG. 4

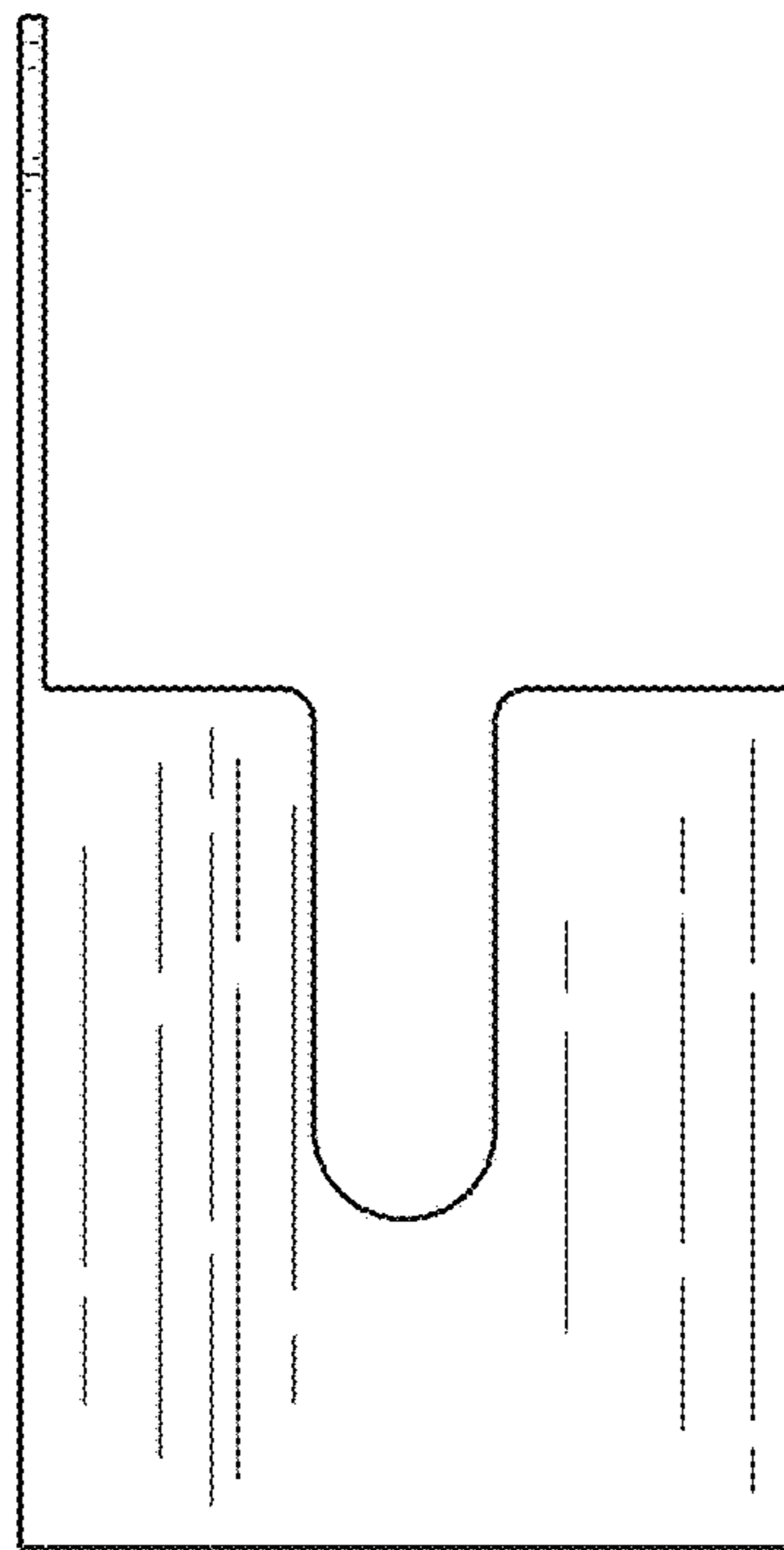


FIG. 5

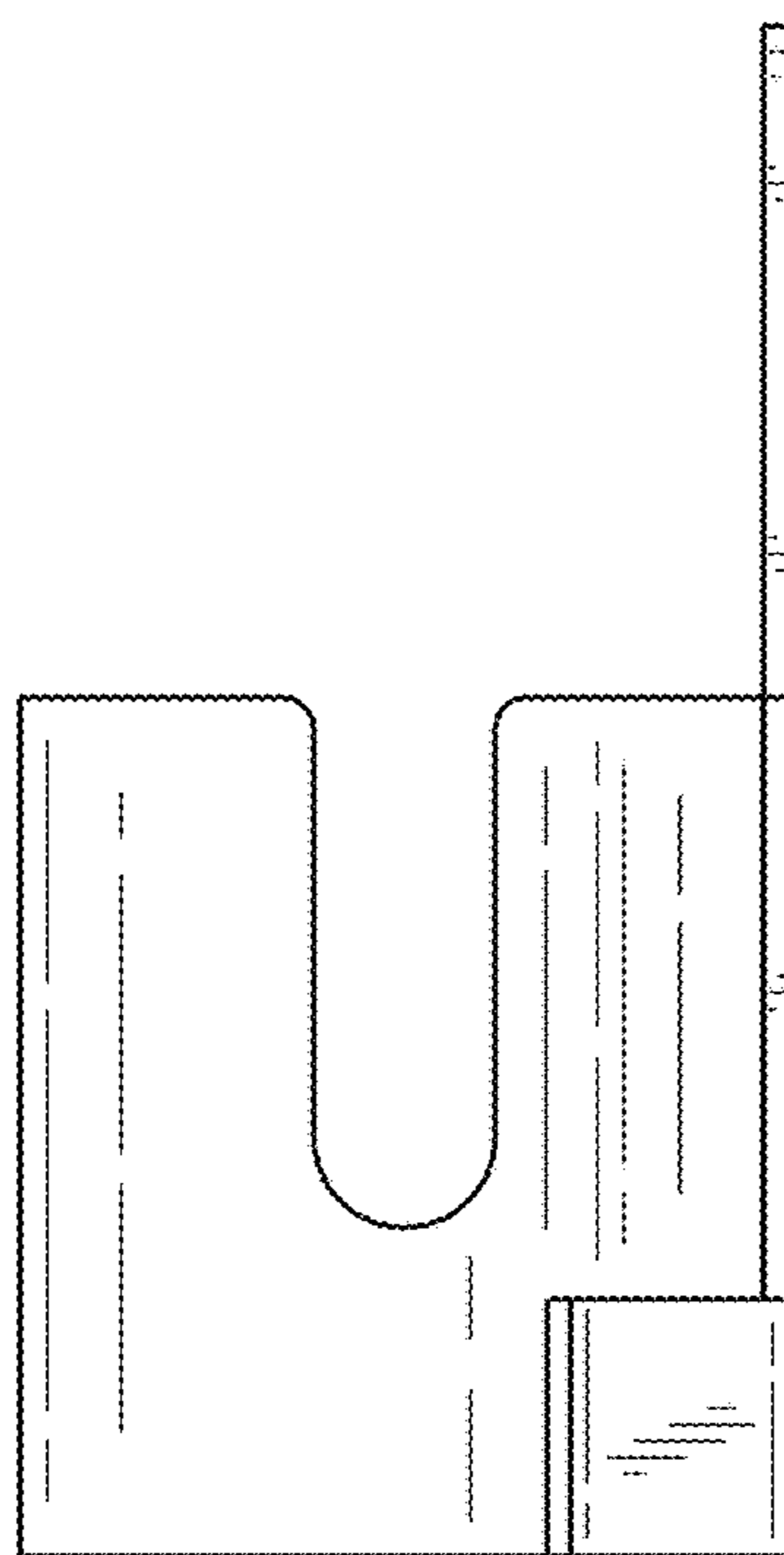


FIG. 6

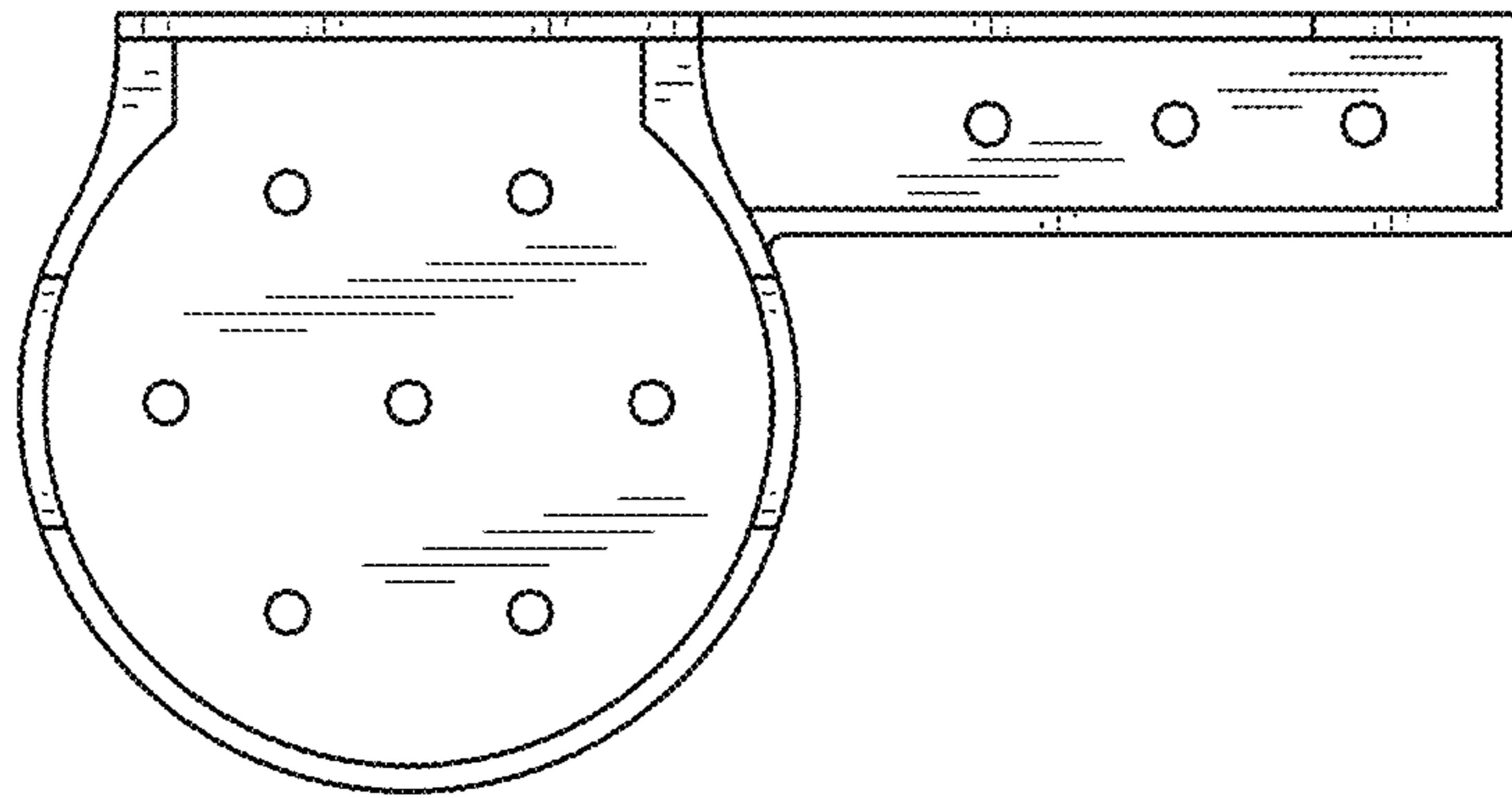


FIG. 7

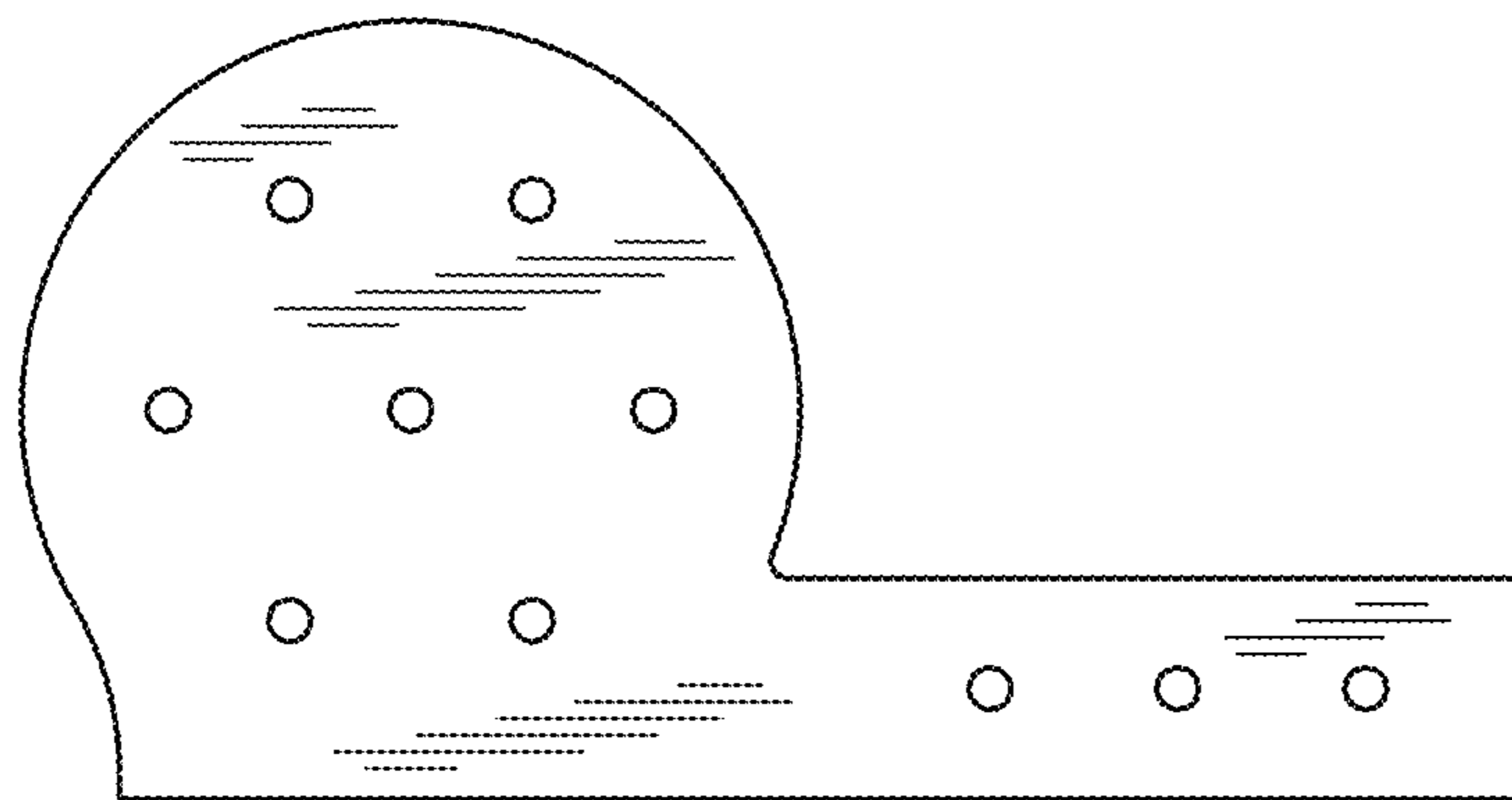


FIG. 8