



US00D868544S

(12) **United States Design Patent** (10) **Patent No.:** **US D868,544 S**
Lin et al. (45) **Date of Patent:** **** Dec. 3, 2019**

(54) **ICE BUCKET BACKPACK**

(56) **References Cited**

(71) Applicant: **XIAMEN WORTHFIND INDUSTRIAL CO., LTD**, Xiamen (CN)
(72) Inventors: **Lijuan Lin**, Xiamen (CN); **Chao Chen**, Xiamen (CN)
(73) Assignee: **XIAMEN WORTHFIND INDUSTRIAL CO., LTD**, Xiamen (CN)
(**) Term: **15 Years**
(21) Appl. No.: **29/655,379**
(22) Filed: **Jul. 3, 2018**
(30) **Foreign Application Priority Data**
Apr. 24, 2018 (CN) 2018 3 0173296

U.S. PATENT DOCUMENTS
6,068,402 A * 5/2000 Freese A45C 11/20 383/108
6,092,661 A * 7/2000 Mogil A63B 55/408 150/106
6,296,165 B1 * 10/2001 Mears A45C 3/00 150/107
D764,873 S * 8/2016 Collie D7/607
D829,244 S * 9/2018 Sullivan D15/79
2005/0056669 A1 * 3/2005 Lavelle A41D 3/08 224/153
2005/0133399 A1 * 6/2005 Fidrych A45F 3/04 206/545
2016/0244239 A1 * 8/2016 Nash A45F 3/04
* cited by examiner

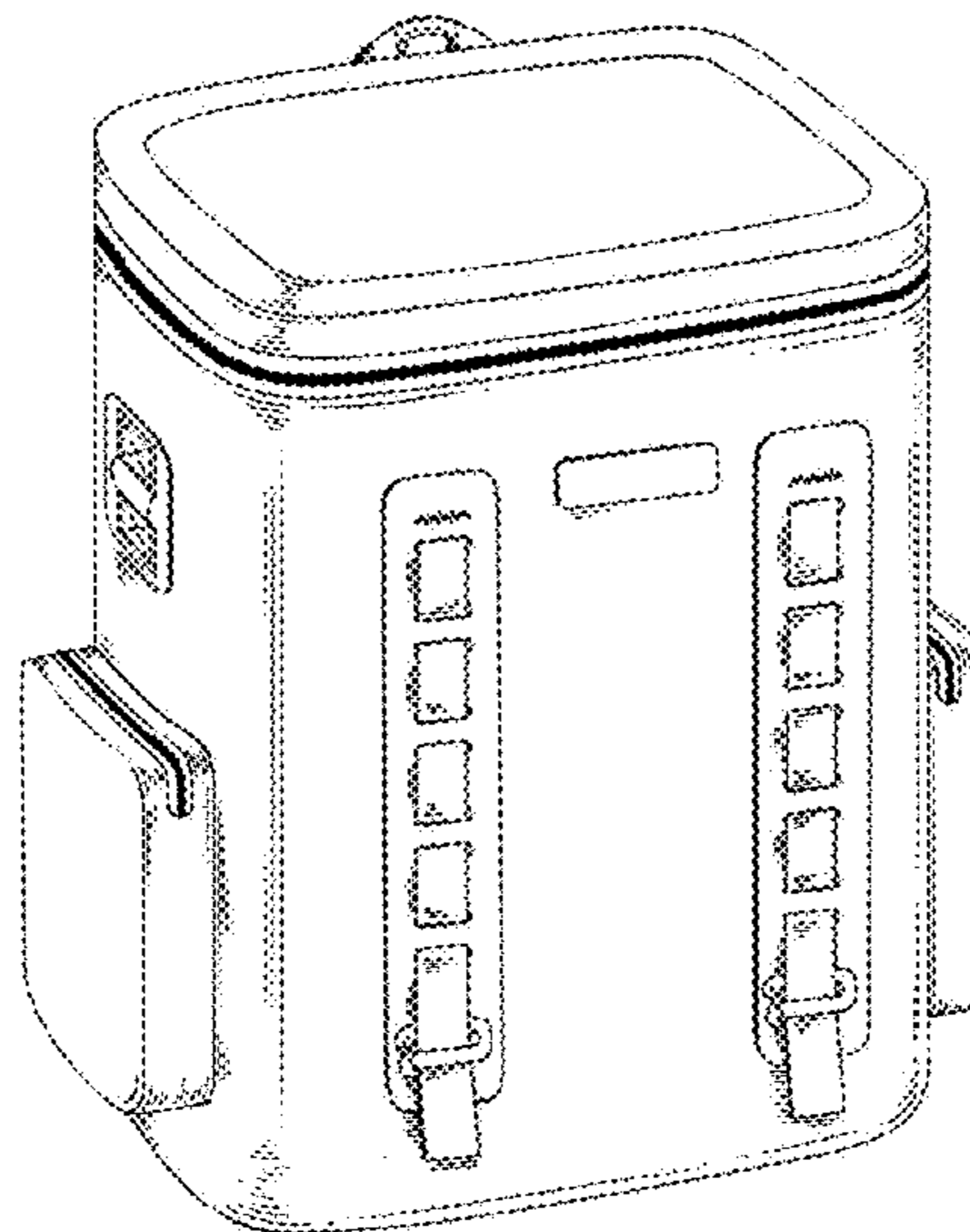
Primary Examiner — Terry A Wallace

(51) **LOC (12) Cl.** **07-01**
(52) **U.S. Cl.**
USPC **D7/605**; D3/216
(58) **Field of Classification Search**
USPC D7/605–607, 709, 710; D3/215–217, D3/315, 318, 276, 268, 273, 267, 233, D3/283, 289
CPC B65D 81/3858; B65D 81/3823; B65D 81/3888; B65D 81/3897; B65D 81/38; B65D 30/08; B65D 31/04; B65D 8/14; A45F 3/04; A45F 3/02; A45F 3/16; A45F 3/042; A45F 3/047; A45F 3/00; A45F 3/12; A45F 3/14; A45F 2003/045; A45F 2003/122; A45F 2003/142; A45F 2003/144; A45F 2003/146; A45F 2003/148; A45F 5/00; A45F 5/02; F25D 2331/801; F25D 2331/804
See application file for complete search history.

(57) **CLAIM**
The ornamental design for an ice bucket backpack, as shown and described.

DESCRIPTION
FIG. 1 is a top front perspective view of an ice bucket backpack showing the claimed design; FIG. 2 is a front view thereof; FIG. 3 is a rear view thereof; FIG. 4 is a left side view thereof; FIG. 5 is a right side view thereof; FIG. 6 is a top view thereof; and, FIG. 7 is a bottom view thereof.
The broken lines in the figures show portions of the ice bucket backpack that form no part of the claimed design.

1 Claim, 7 Drawing Sheets



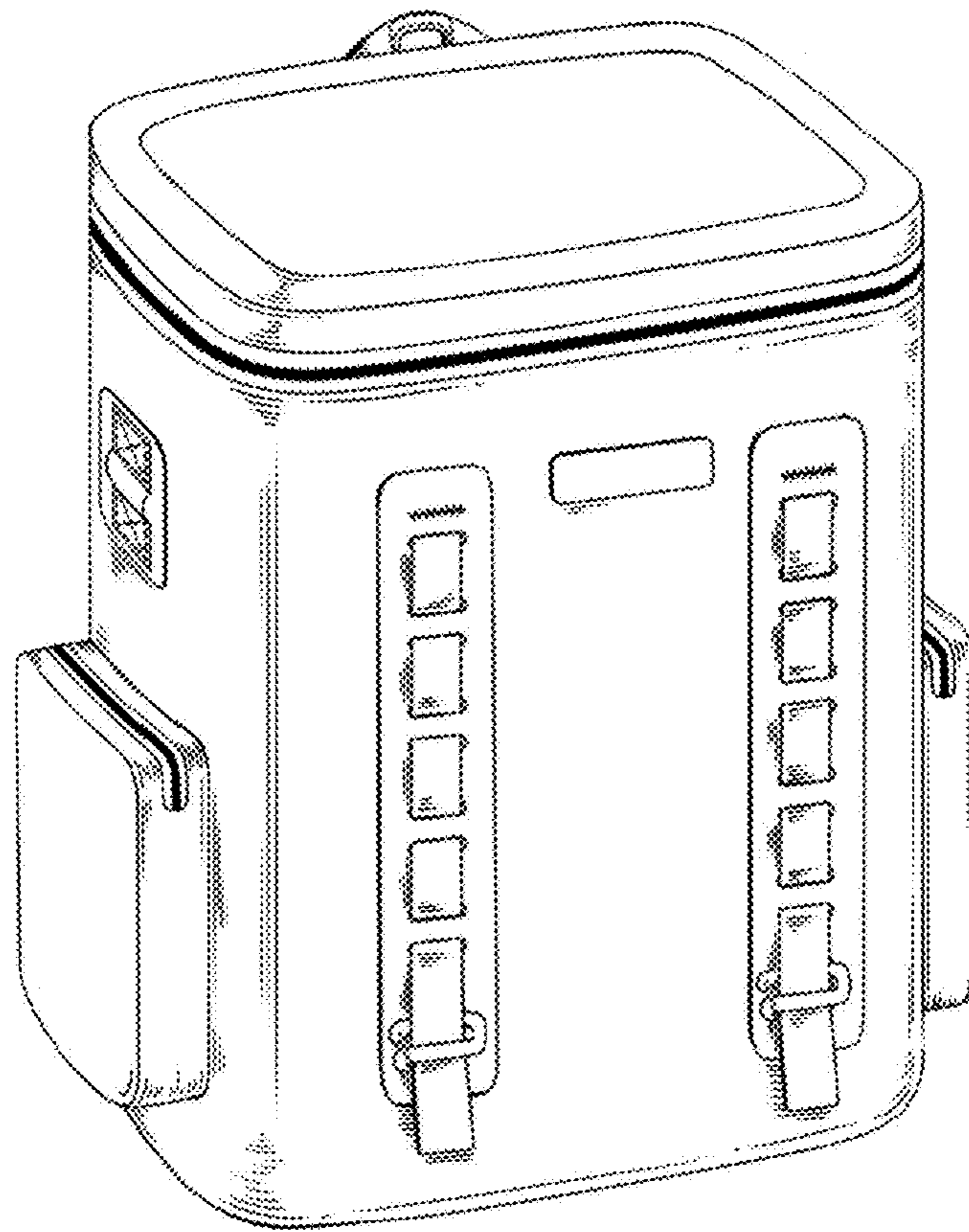


FIG. 1

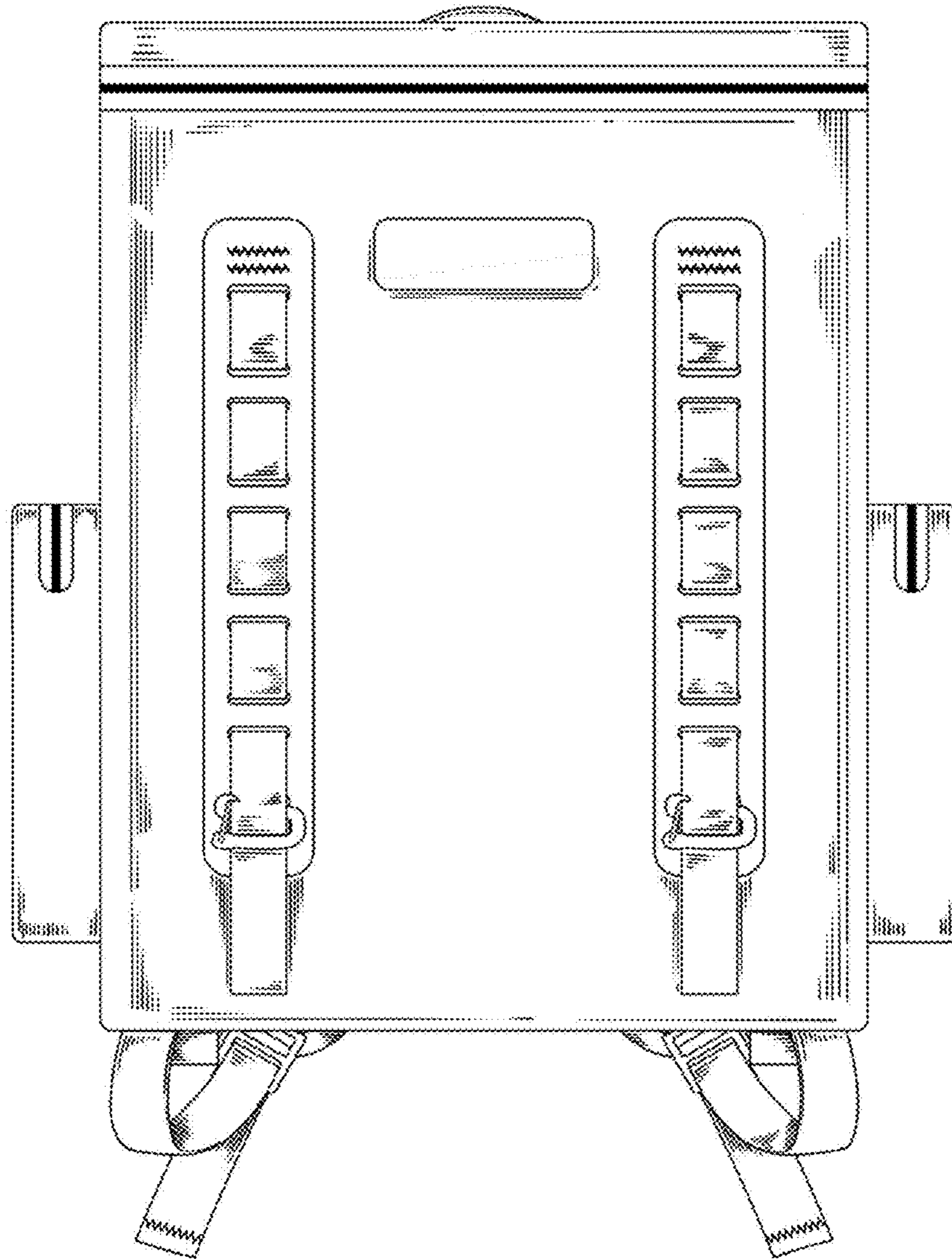


FIG. 2

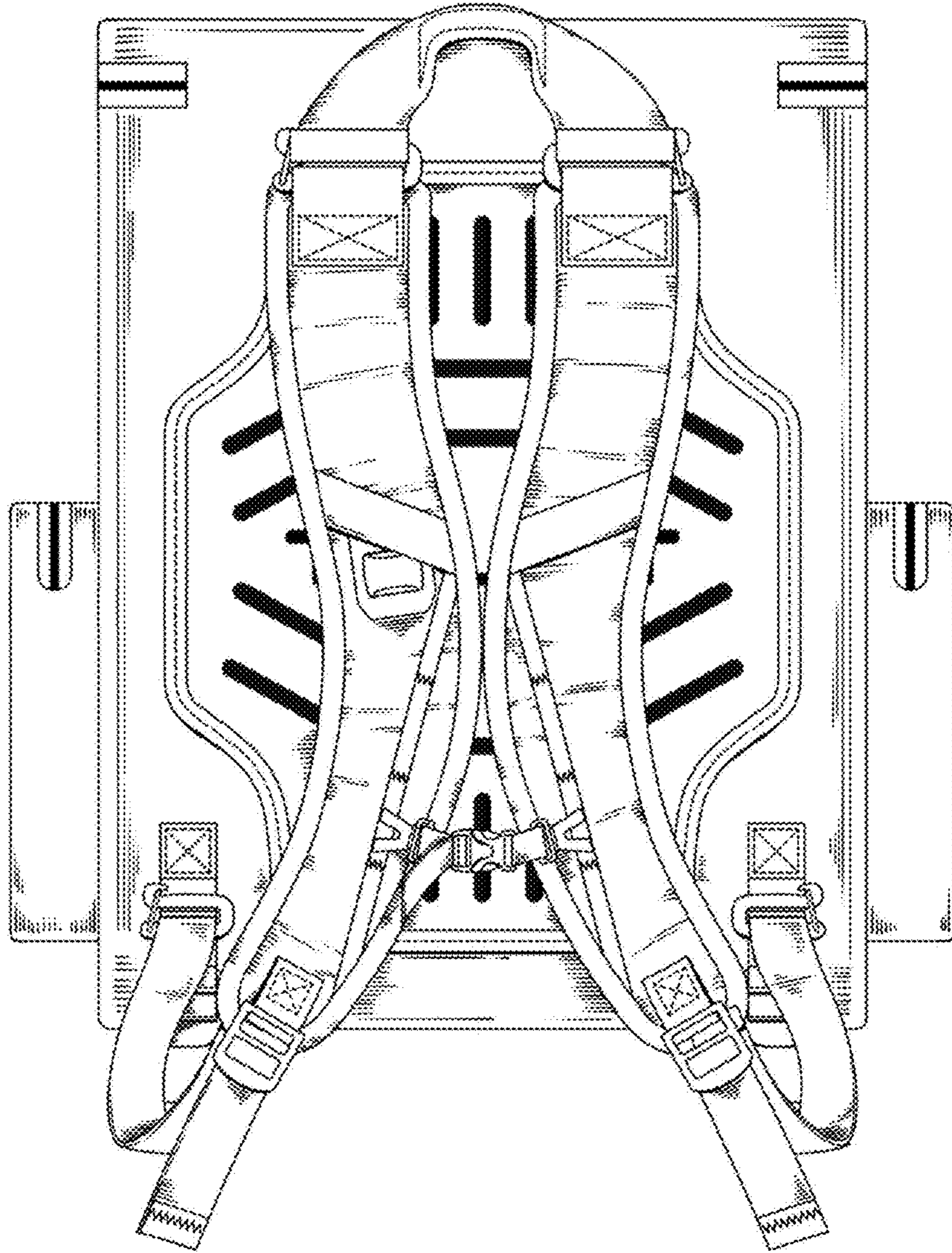


FIG. 3

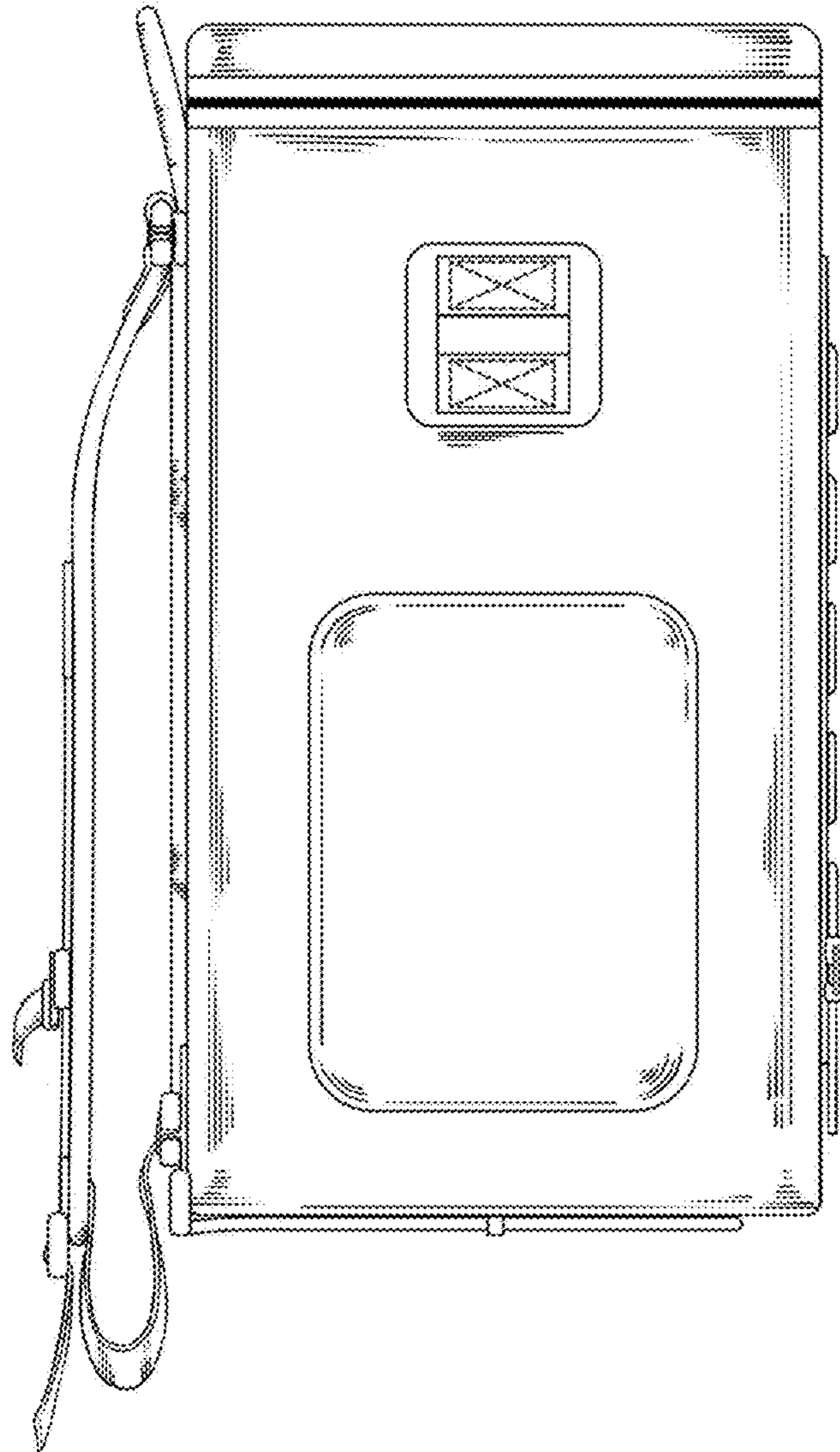


FIG. 4

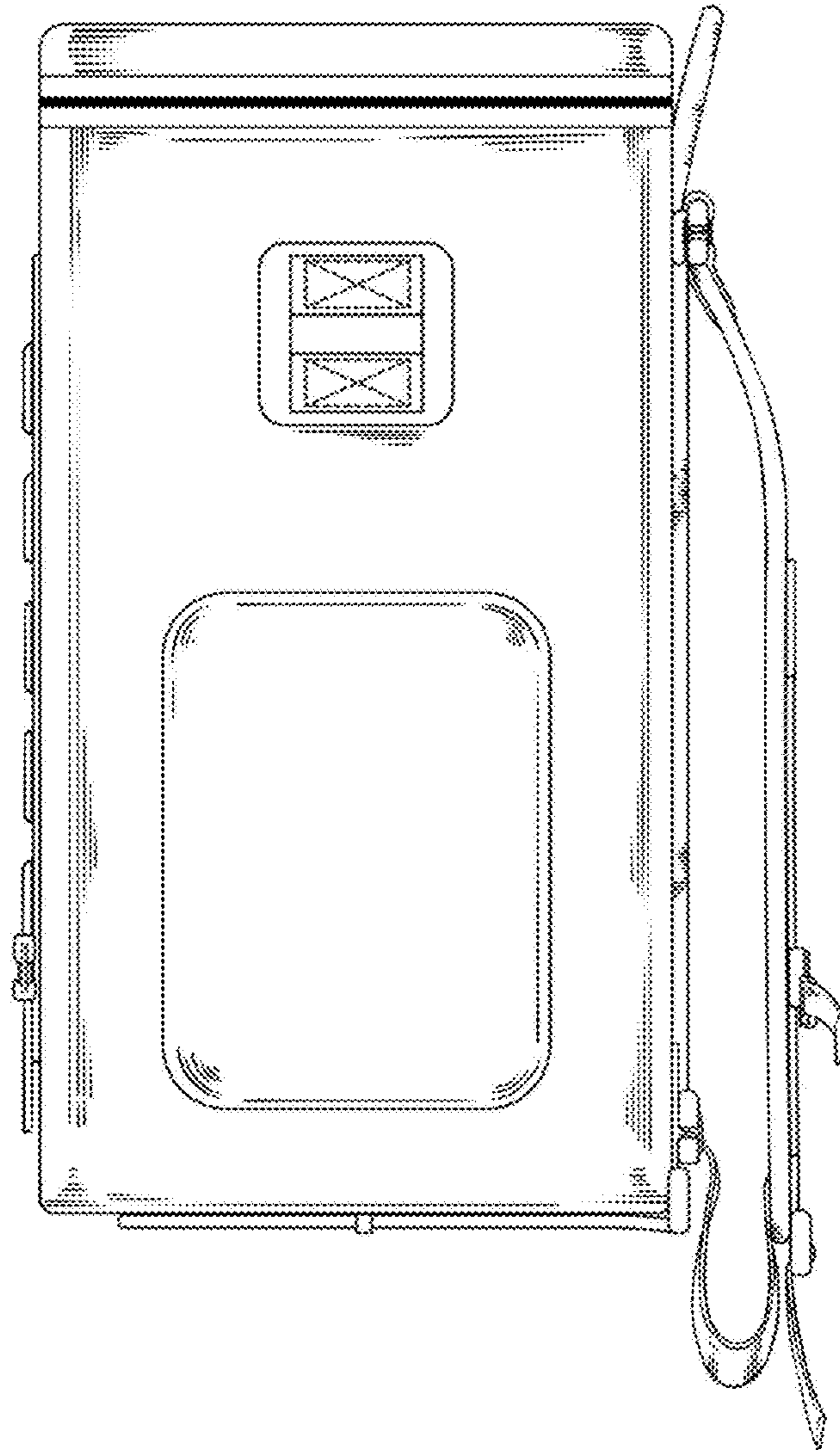


FIG. 5

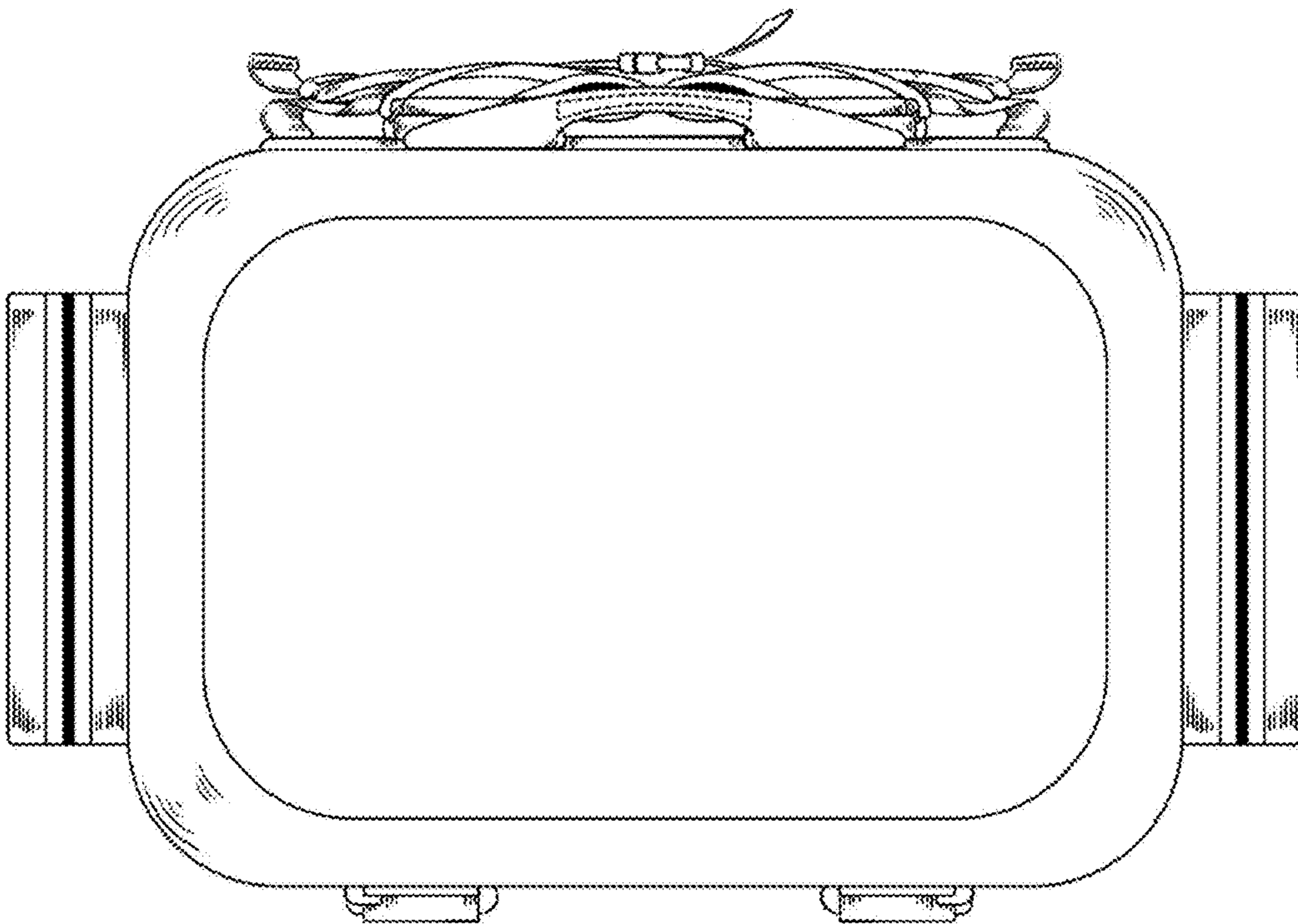


FIG. 6

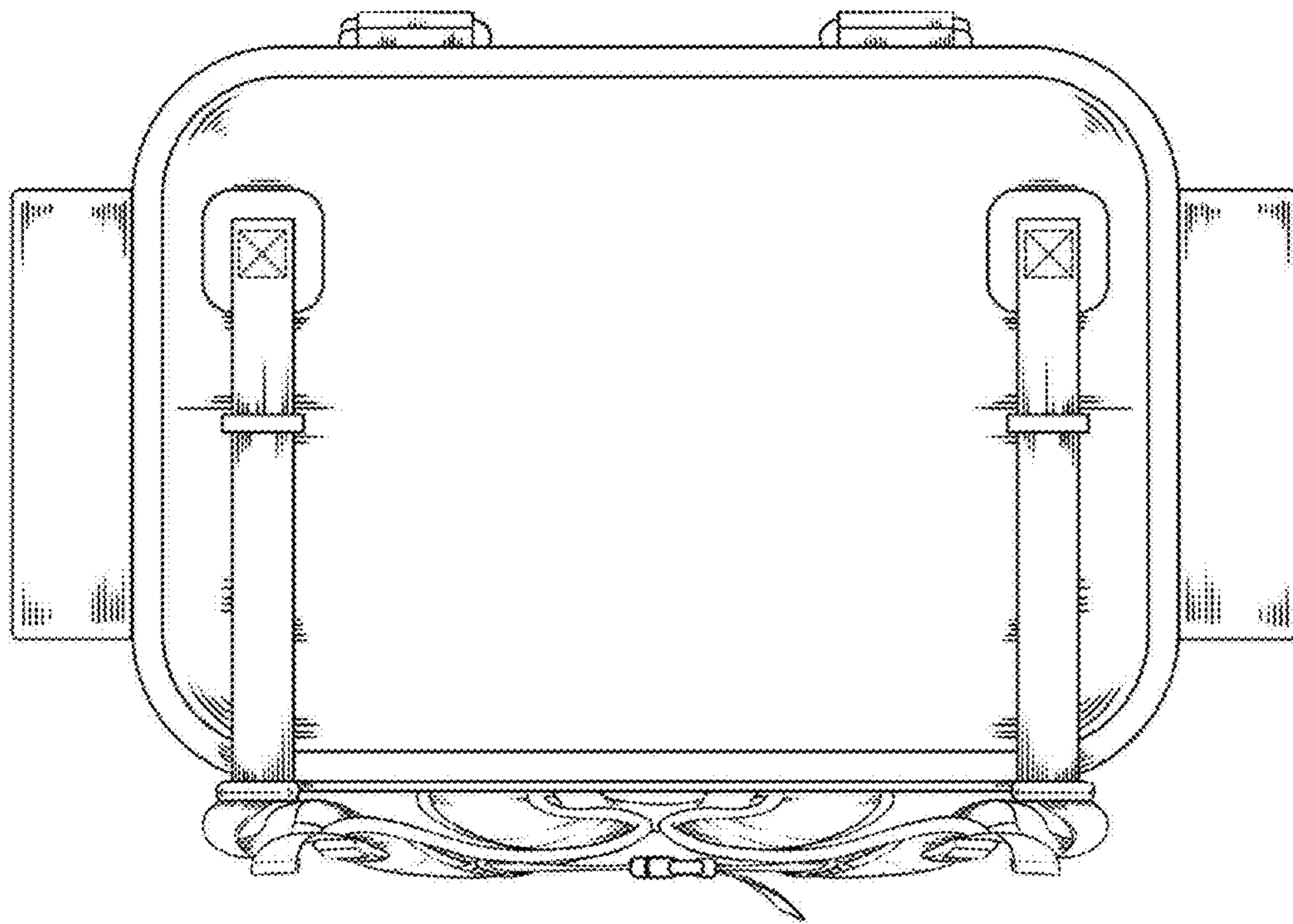


FIG. 7