



US00D868543S

(12) **United States Design Patent**
Carrette

(10) **Patent No.: US D868,543 S**

(45) **Date of Patent: ** Dec. 3, 2019**

(54) **COVERED BOWL**

(71) Applicant: **Dart Industries Inc.**, Orlando, FL (US)

(72) Inventor: **Johan Carrette**, Brussels (BE)

(73) Assignee: **Dart Industries Inc.**, Orlando, FL (US)

(**) Term: **15 Years**

(21) Appl. No.: **29/668,152**

(22) Filed: **Oct. 29, 2018**

Related U.S. Application Data

(62) Division of application No. 29/573,409, filed on Aug. 5, 2016, now Pat. No. Des. 840,760.

(51) **LOC (12) Cl.** **07-07**

(52) **U.S. Cl.**

USPC **D7/602**

(58) **Field of Classification Search**

USPC D7/354, 357, 601-602, 610, 629-630,
D7/707-708; 206/405, 557;
D9/424-426, 428, 500-503, 761;
426/392; 229/903; D99/429

CPC B65D 1/36; B65D 81/3446; B65D 1/00;
A47G 23/04; A47G 23/0683; A47G 23/06

See application file for complete search history.

(56) **References Cited**

U.S. PATENT DOCUMENTS

D312,554 S * 12/1990 Daenen D7/501
D312,745 S * 12/1990 Daenen D7/317
D349,005 S * 7/1994 Cousins D7/543
D417,584 S * 12/1999 Lillelund D7/392.1
D491,024 S * 6/2004 Welsh D7/629
D512,872 S * 12/2005 McMahon, III D7/392
D522,809 S * 6/2006 Kusuma B65D 21/086
D7/602
D591,590 S * 5/2009 Wilson D9/428
D604,989 S 12/2009 Chen et al.

7,654,402 B2 * 2/2010 Kusuma B65D 21/086
220/666

D611,300 S 3/2010 Chen et al.

D613,131 S 4/2010 Chen et al.

D632,527 S * 2/2011 Olivari D7/560

(Continued)

FOREIGN PATENT DOCUMENTS

CA 175184 * 11/2017

JP D1582665 * 7/2017

(Continued)

OTHER PUBLICATIONS

Rubbermaid TakeAlongs Food Storage Containers (Round), amazon.com, posted by Rubbermaid on Nov. 17, 2014 © 1996-2019 Amazon.com, Inc., online, site visited Sep. 27, 2019. Available from Internet, URL: <https://www.amazon.com/Rubbermaid-TakeAlongs-Assorted-Containers-1949248/dp/B01DKEASLS> (Year: 2014).*

Primary Examiner — Marissa J Cash

Assistant Examiner — Altaira J Swangin

(74) *Attorney, Agent, or Firm* — Taylor J. Ross

(57) **CLAIM**

The ornamental design for a covered bowl, as shown and described.

DESCRIPTION

FIG. 1 is a top, front and right side perspective view of a covered bowl showing my new design;

FIG. 2 is a bottom, rear and right side perspective view thereof;

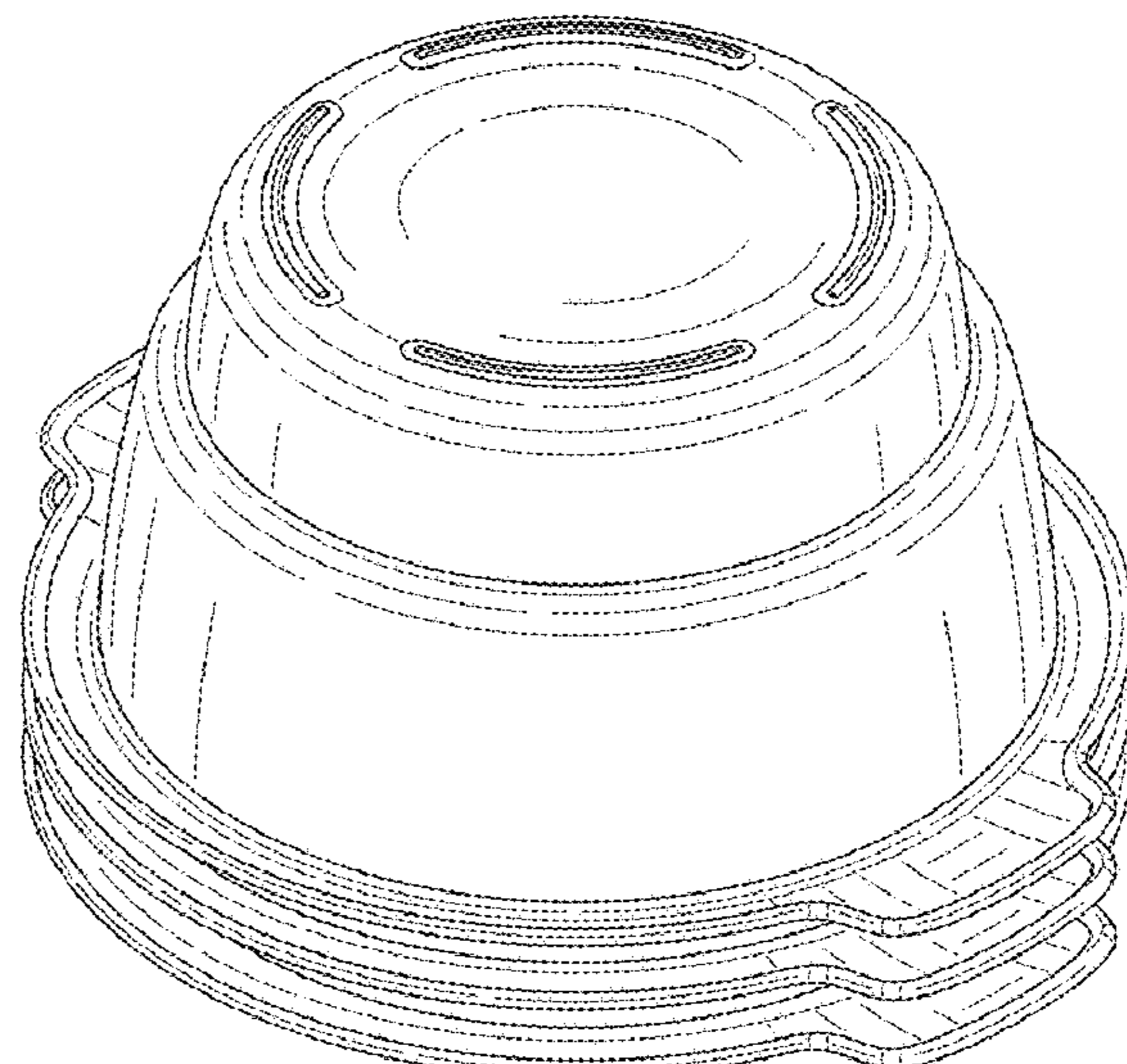
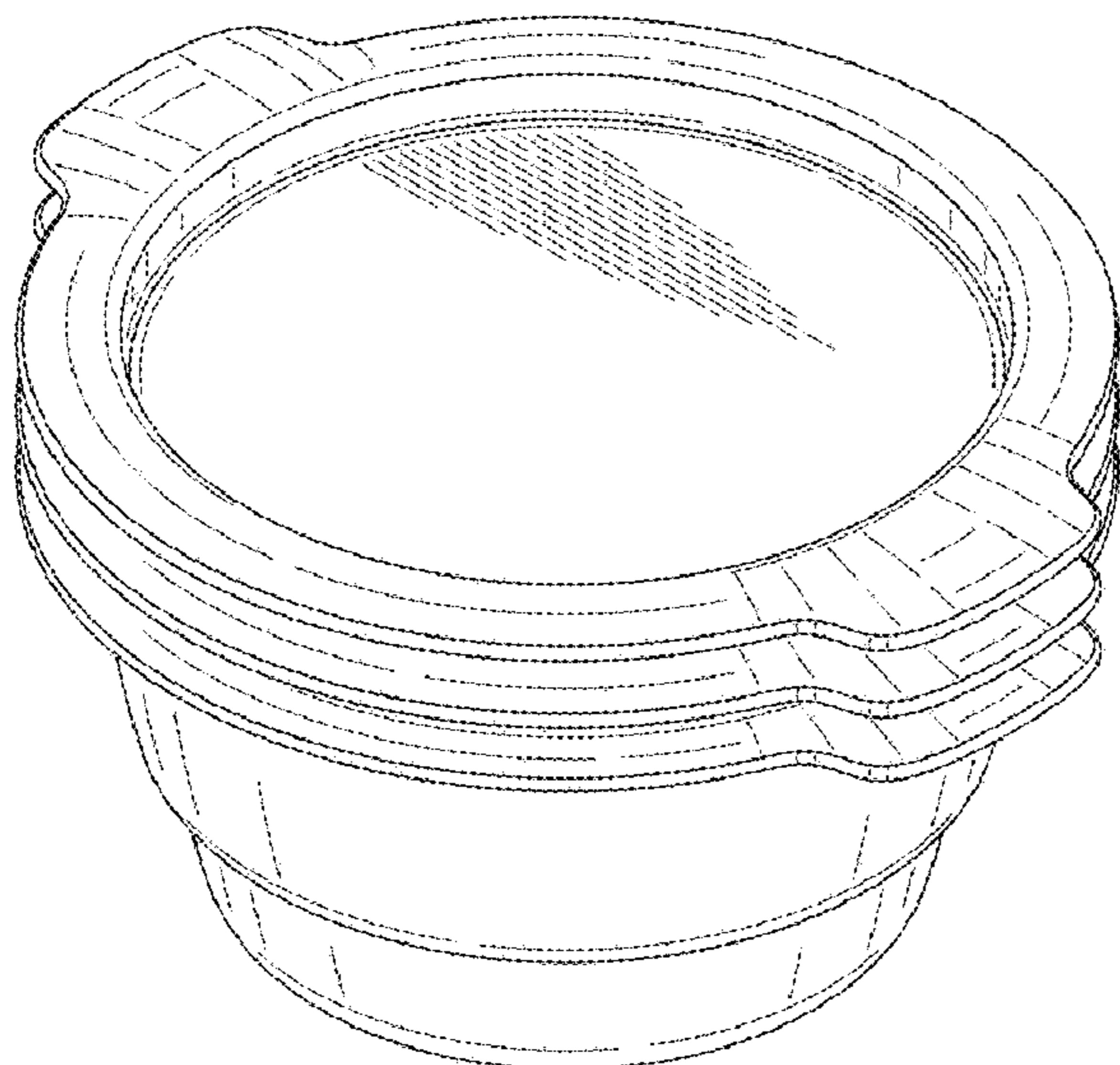
FIG. 3 is a top plan view thereof;

FIG. 4 is a bottom plan view thereof;

FIG. 5 is a front elevation view, the rear elevation being identical thereto; and,

FIG. 6 is a right side elevation view, the left side elevation being identical thereto.

1 Claim, 3 Drawing Sheets



(56)

References Cited

U.S. PATENT DOCUMENTS

D674,666 S * 1/2013 Pallotto D7/629
D676,284 S 2/2013 Pallotto
8,772,685 B2 7/2014 Backaert et al.
9,221,582 B2 * 12/2015 Wheeler B65D 21/086
9,809,375 B2 * 11/2017 Anderson A47J 36/027
D840,760 S * 2/2019 Carrette D7/602
D842,655 S * 3/2019 Bentzen D7/602
2003/0230588 A1 * 12/2003 Zepter A47J 27/002
220/669
2010/0163553 A1 * 7/2010 Backaert A47J 27/04
219/682
2014/0339223 A1 * 11/2014 Backaert A47J 36/027
219/732

FOREIGN PATENT DOCUMENTS

KR 300782399.0000 * 2/2015
MX 51993-0001 * 3/2018
TR 201700798-0001 * 3/2017
TR 201700798-0002 * 3/2017

* cited by examiner

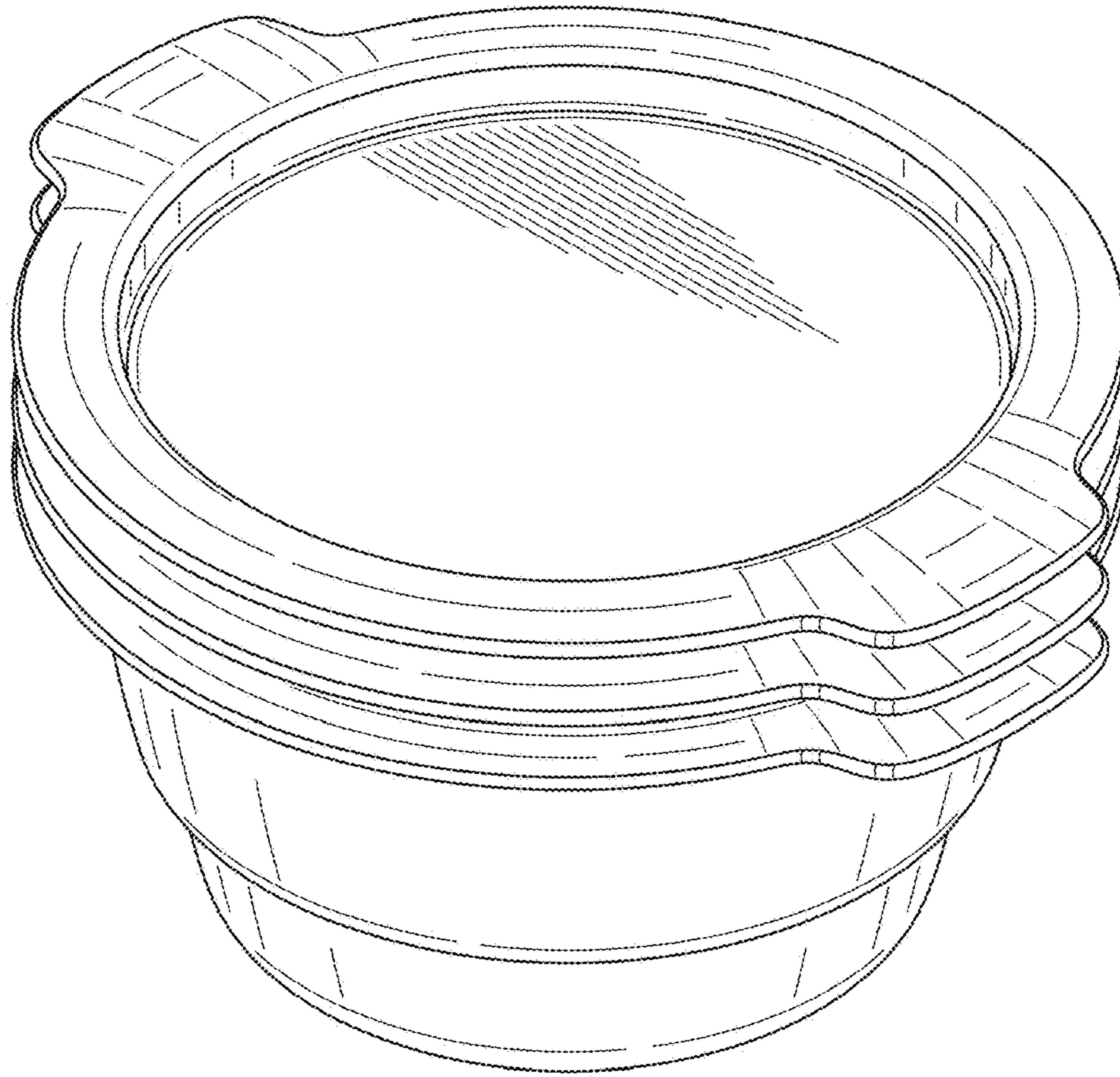


FIG. 1

FIG. 2

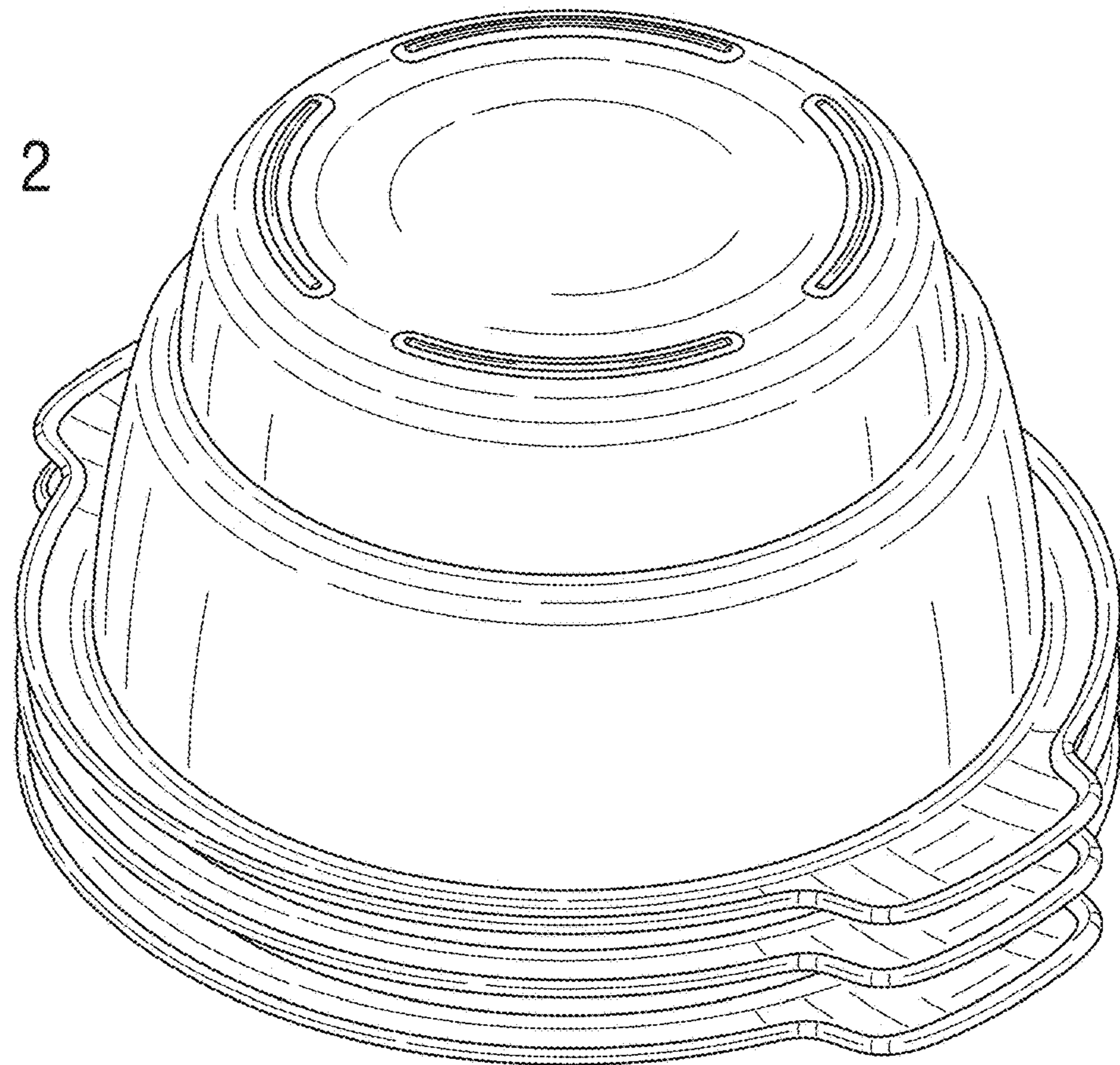


FIG. 3

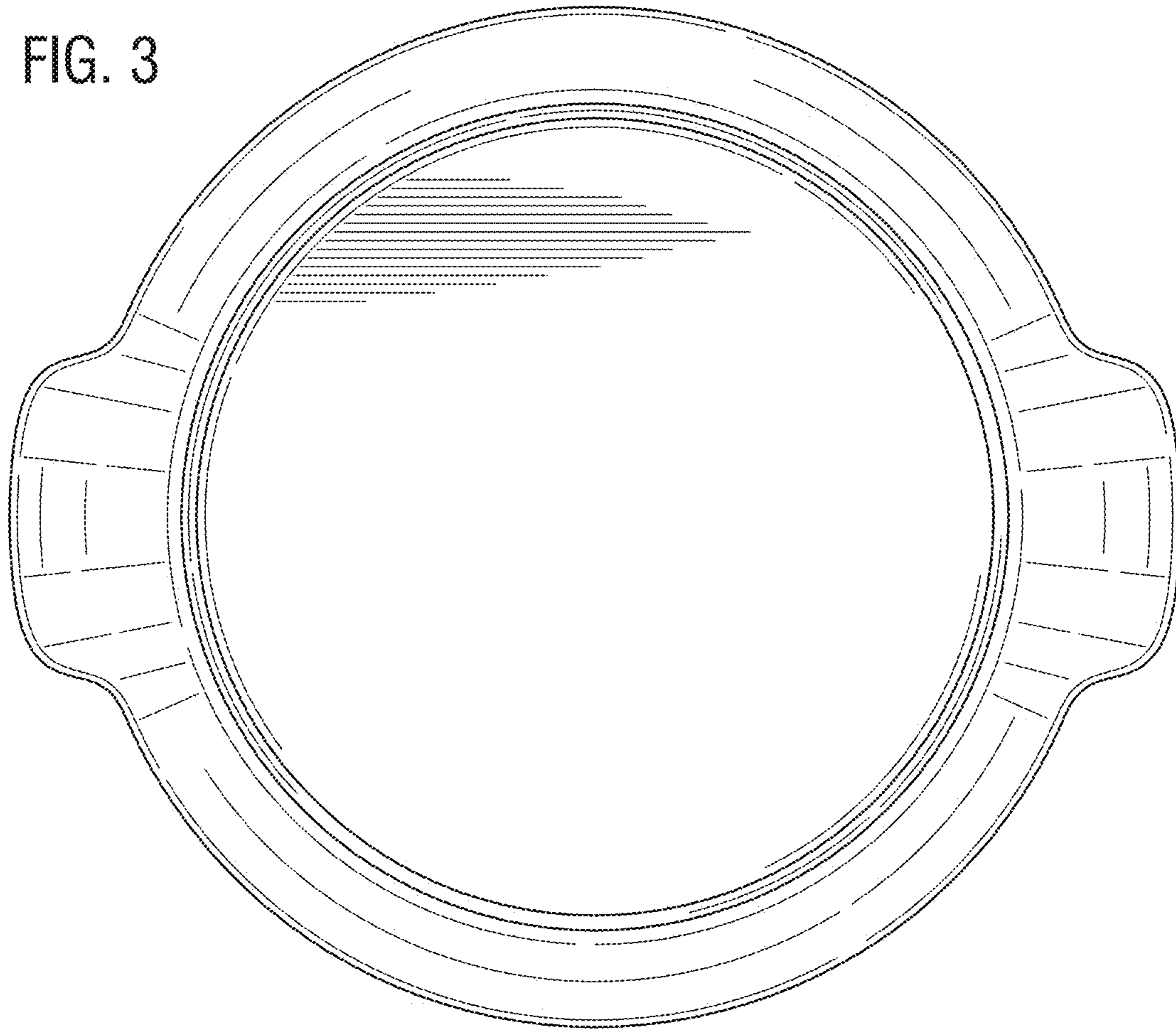


FIG. 5

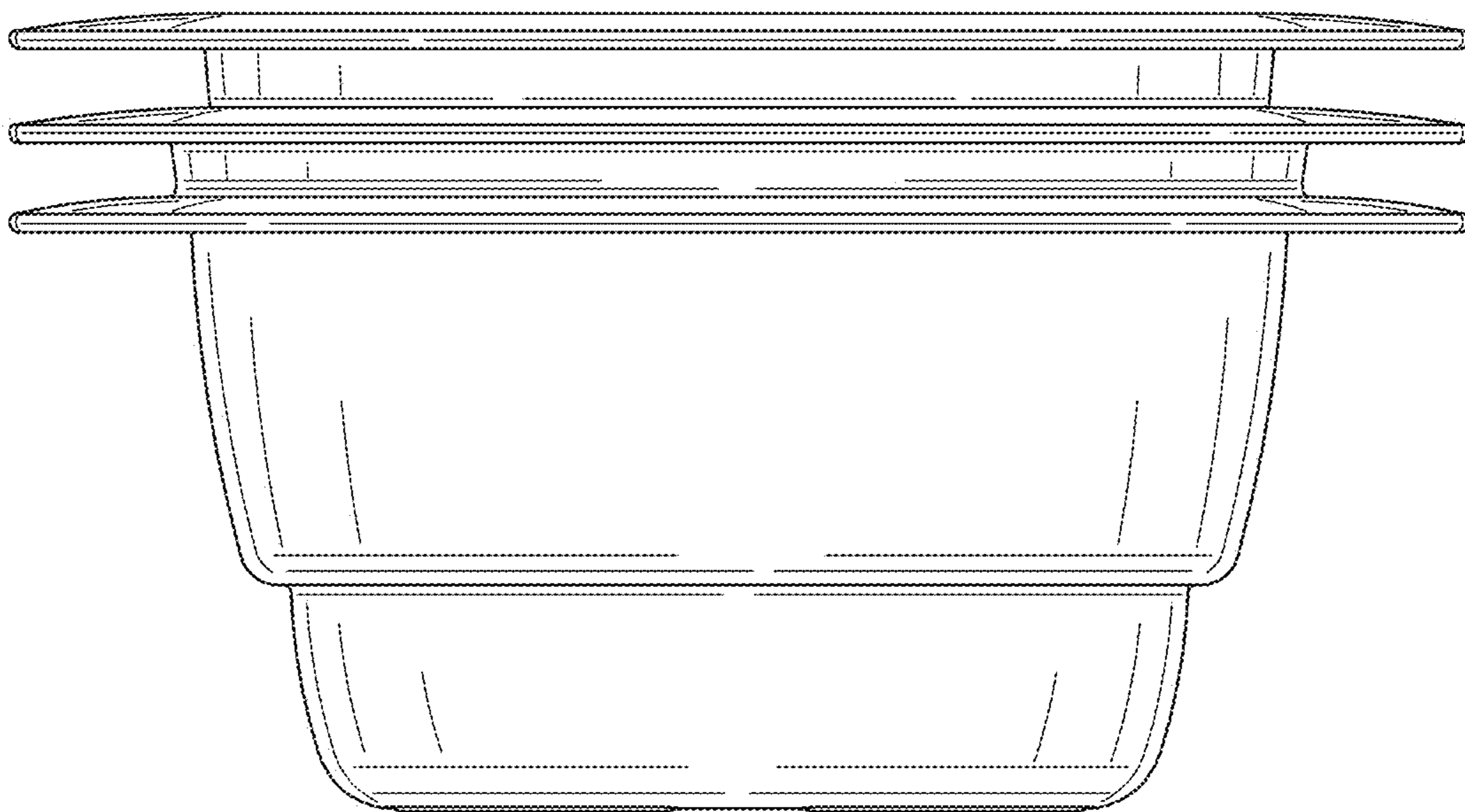


FIG. 4

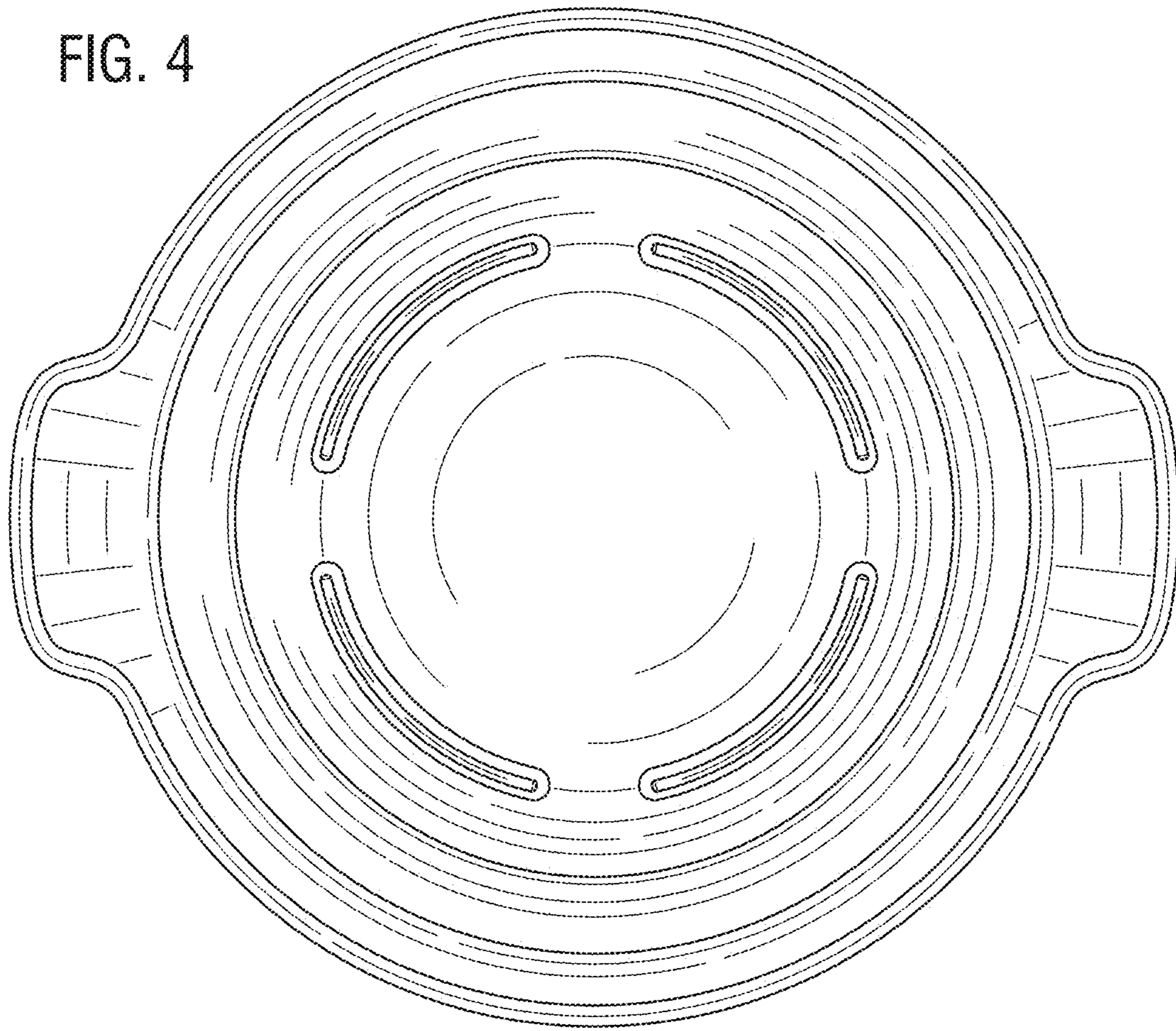


FIG. 6

