



US00D868536S

(12) **United States Design Patent** (10) **Patent No.:** **US D868,536 S**
Henkel (45) **Date of Patent:** **** Dec. 3, 2019**

- (54) **TUMBLER**
- (71) Applicant: **MiiR Holdings, LLC**, Seattle, WA (US)
- (72) Inventor: **Geoff Henkel**, Seattle, WA (US)
- (73) Assignee: **MIIR HOLDINGS, LLC**, Seattle, WA (US)
- (**) Term: **15 Years**
- (21) Appl. No.: **29/647,575**
- (22) Filed: **May 14, 2018**
- (51) **LOC (12) Cl.** **07-01**
- (52) **U.S. Cl.**
USPC **D7/511**
- (58) **Field of Classification Search**
USPC D7/396.1, 396.2, 397, 509, 510, 511,
D7/523, 900; D9/516, 544, 545, 546,
D9/549, 434, 435
CPC A45F 3/16; A47G 19/2216; A47G 19/22;
A47G 19/2272; B65D 41/04; B65D
41/0414; B65D 51/18; A47J 43/27
See application file for complete search history.

- D815,903 S * 4/2018 Steel D7/510
- D817,093 S * 5/2018 Silsby D7/510
- D826,641 S * 8/2018 Nickley D7/510

OTHER PUBLICATIONS

Miir Travel Tumbler| posted at Amazon.com,posted on Aug. 21, 2018, © 1996-2018 Amazon.com, [online], [site visited Feb. 14, 2019]. Available from Internet, <URL: <https://www.amazon.co.uk/Miir-Insulated-Tumbler-Locking-Compatible/dp/B07GQ4T12M/>> (Year: 2018).*

* cited by examiner

Primary Examiner — Derrick E Holland
Assistant Examiner — Andrew Kerr

(74) *Attorney, Agent, or Firm* — Janeway Patent Law, PLLC; John M. Janeway

(57) **CLAIM**

The ornamental design for a tumbler, as shown and described.

DESCRIPTION

FIG. 1 is a perspective view of a tumbler according to the invention.
FIG. 2 is a front, elevation view of the tumbler.
FIG. 3 is a rear, elevation view of the tumbler.
FIG. 4 is a left side, elevation view of the tumbler.
FIG. 5 is a right side, elevation view of the tumbler.
FIG. 6 is a top, plan view of the tumbler; and,
FIG. 7 is a bottom, plan view of the tumbler.
The broken lines shown represent the portions of the tumbler that form no part of the claimed design.

1 Claim, 6 Drawing Sheets

(56) **References Cited**

U.S. PATENT DOCUMENTS

- D377,293 S * 1/1997 Husted D7/510
- D504,796 S * 5/2005 Schuler D7/392.1
- D572,975 S * 7/2008 Germany D7/510
- D618,508 S * 6/2010 George D7/319
- D717,115 S * 11/2014 Lane D7/511
- D795,643 S * 8/2017 Barlow D7/510
- D814,240 S * 4/2018 Kabalin D7/510

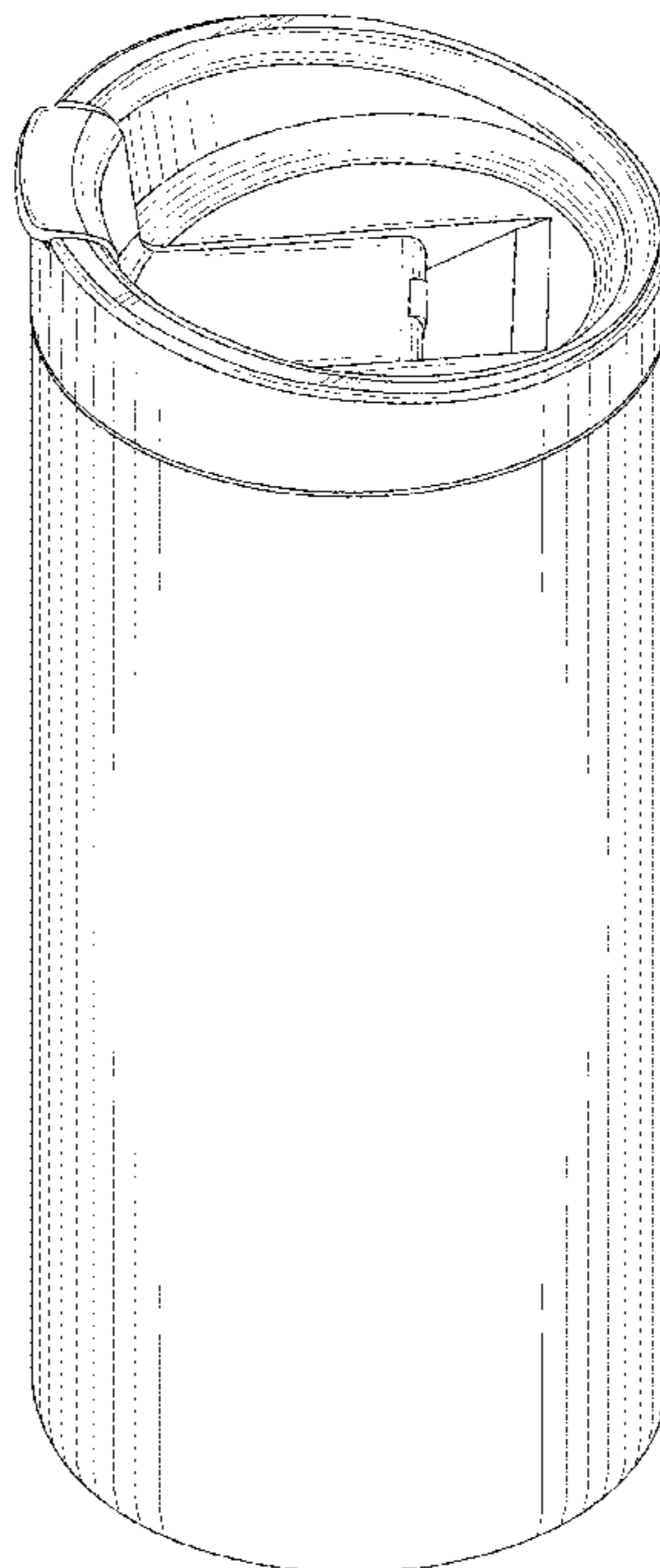


FIG. 1

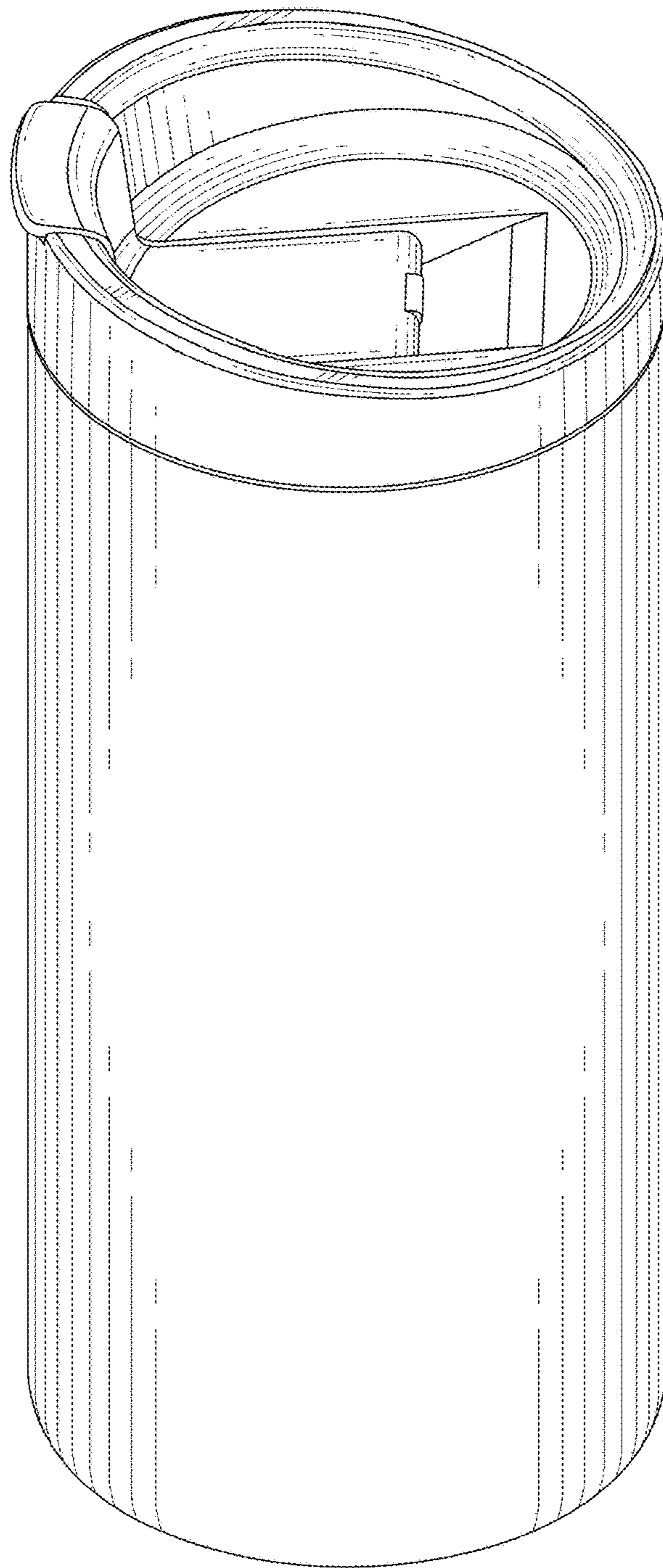


FIG. 2

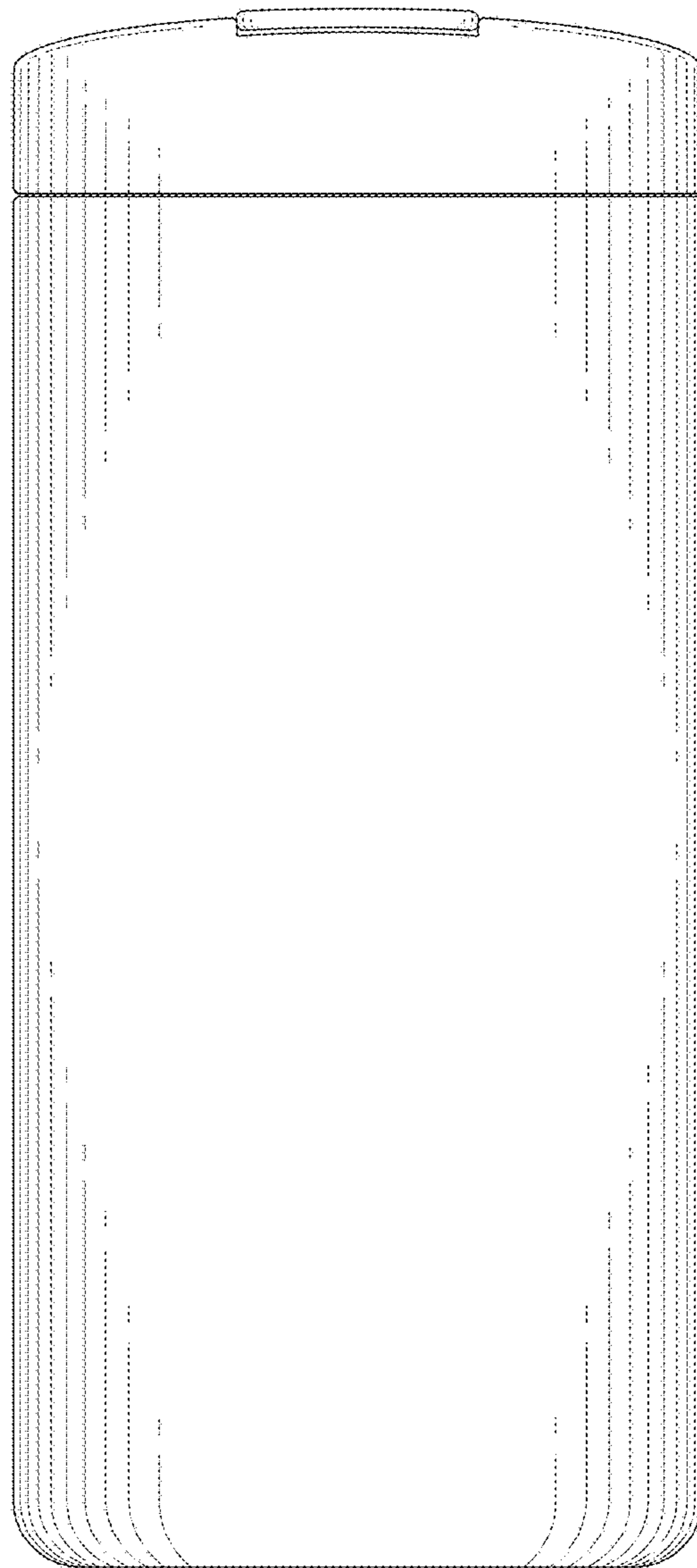


FIG. 3

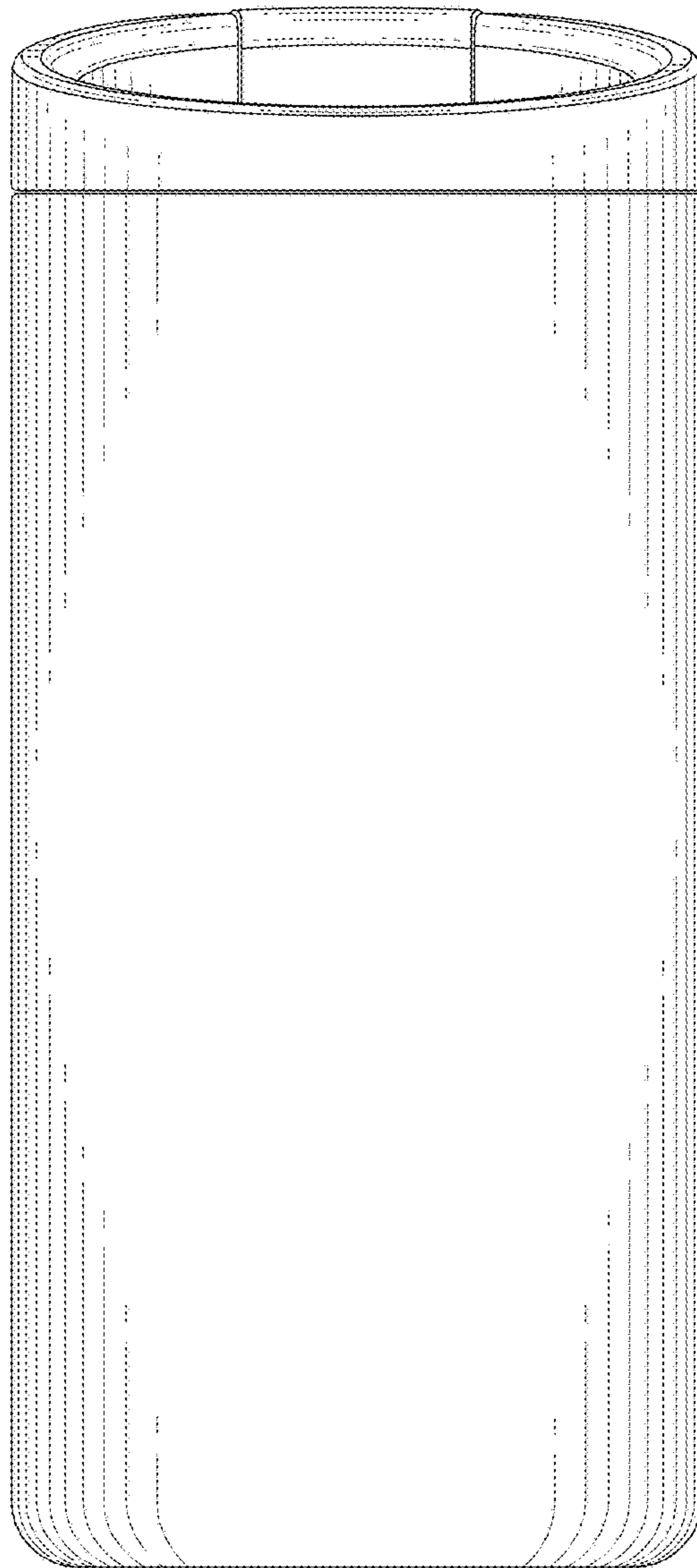


FIG. 4

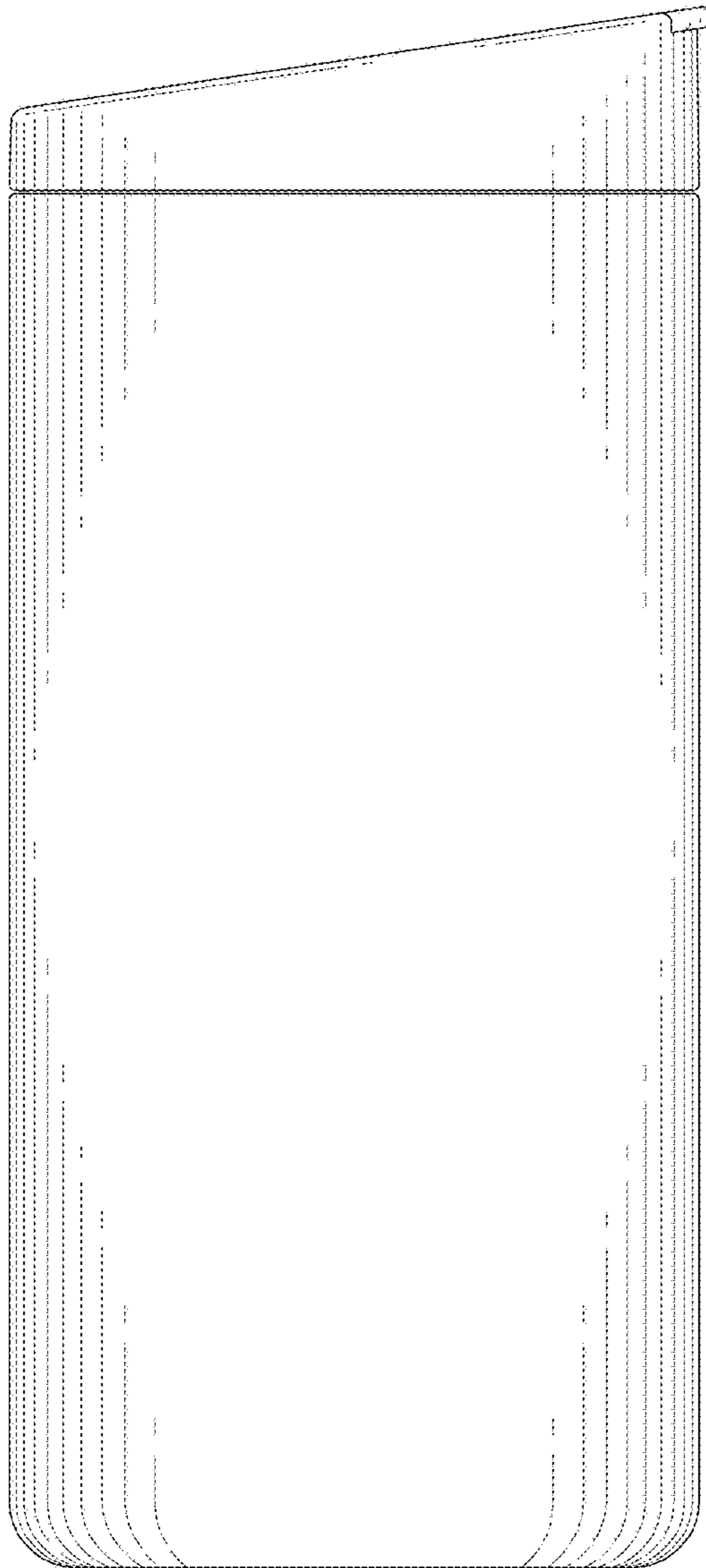


FIG. 5

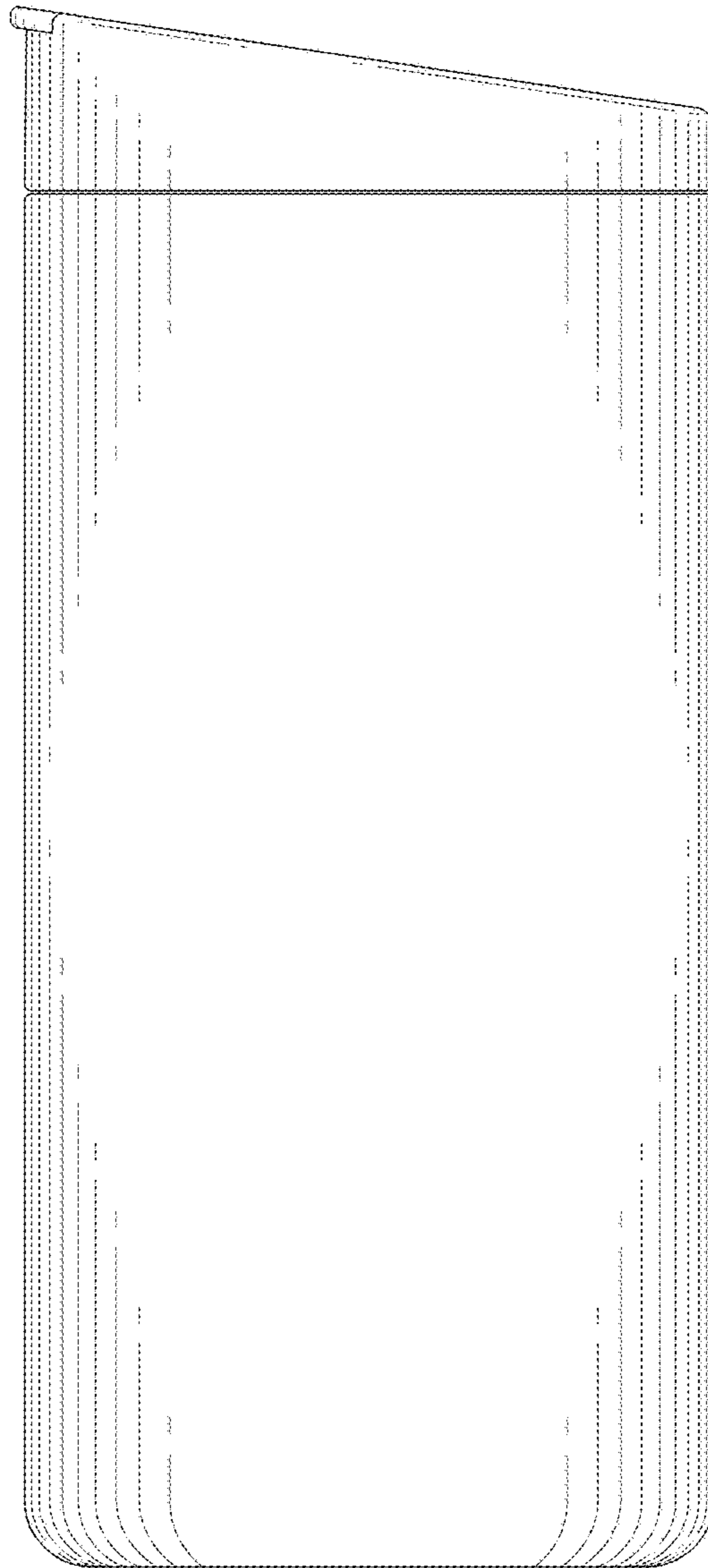


FIG. 6

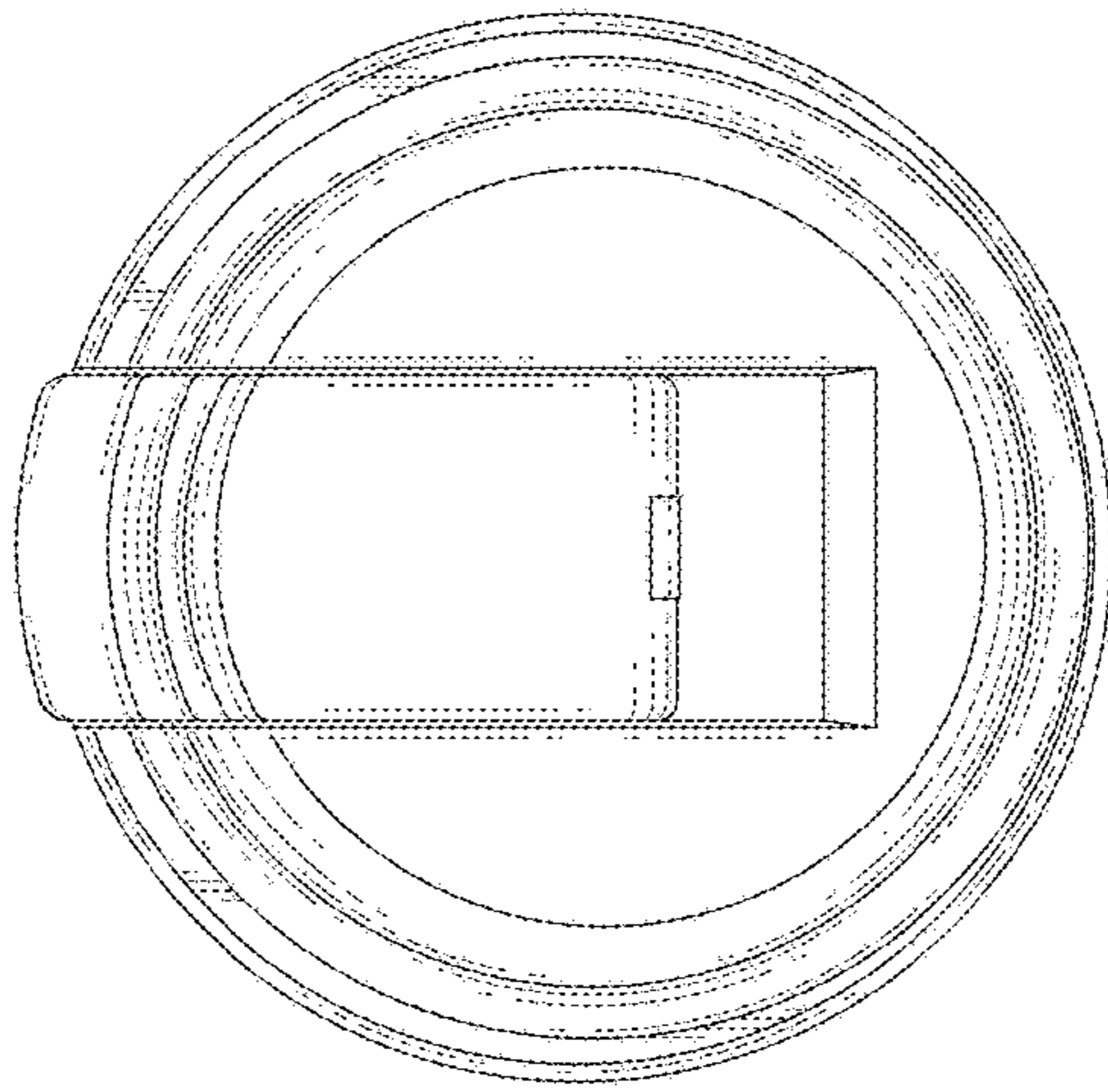


FIG. 7

