



US00D868535S

(12) **United States Design Patent** (10) **Patent No.:** **US D868,535 S**
Hale (45) **Date of Patent:** **** Dec. 3, 2019**

(54) **BEVERAGE BREWER**

(71) Applicant: **BODECKER BREWED, INC.**,
Toronto (CA)

(72) Inventor: **Robert Hale**, Scarborough (CA)

(**) Term: **15 Years**

(21) Appl. No.: **29/651,676**

(22) Filed: **Dec. 18, 2018**

D728,987 S * 5/2015 Cahen D7/309
D755,000 S * 5/2016 Lovati D7/306
D756,696 S * 5/2016 Murphy D7/306

(Continued)

OTHER PUBLICATIONS

Notice of Allowance dated Oct. 7, 2016 for U.S. Appl. No. 29/505,013.
(Continued)

Primary Examiner — Marianne N Pandozzi

(74) *Attorney, Agent, or Firm* — Breneman & Georges

Related U.S. Application Data

(63) Continuation of application No. 29/620,475, filed on Jan. 6, 2017, now Pat. No. Des. 840,733, and a continuation of application No. 29/505,013, filed on Apr. 21, 2015, now Pat. No. Des. 779,257.

(51) **LOC (12) Cl.** **07-01**

(52) **U.S. Cl.**

USPC **D7/397**; D7/309; D7/311; D7/306

(58) **Field of Classification Search**

USPC D7/300, 309–311, 306–308, 305, 355, D7/362, 365, 367, 397, 399; 222/146.6, 222/185.1, 135; 99/295, 273, 304, 288, 99/279, 307, 283, 315; 426/431, 231

CPC A47J 31/46; A47J 31/407; A47J 31/50; A47J 31/18; A47J 31/00; A47J 27/04; A47J 31/0573; A47J 31/52; A47J 31/4407

See application file for complete search history.

(56) **References Cited**

U.S. PATENT DOCUMENTS

D513,572 S * 1/2006 Schaffeld D7/309
D530,560 S * 10/2006 Lin D7/309
D595,992 S * 7/2009 Clark D7/309
D602,303 S * 10/2009 Cahen D7/309
D666,051 S * 8/2012 de Pra D7/309
D709,722 S * 7/2014 Luippold D7/305
D718,565 S * 12/2014 Spagnolo D7/309
D721,531 S * 1/2015 Krasne D7/309

(57) **CLAIM**

The ornamental design for a beverage brewer, as shown and described.

DESCRIPTION

FIG. 1 is a front isometric view of a beverage brewer showing a further variant of my new design, with a cup tray in the deployed position;

FIG. 2 is a rear isometric view of the beverage brewer of FIG. 1;

FIG. 3 is a left side elevation view of the beverage brewer of FIG. 1;

FIG. 4 is a front elevation view of the beverage brewer of FIG. 1;

FIG. 5 is a right side elevation view of the beverage brewer of FIG. 1;

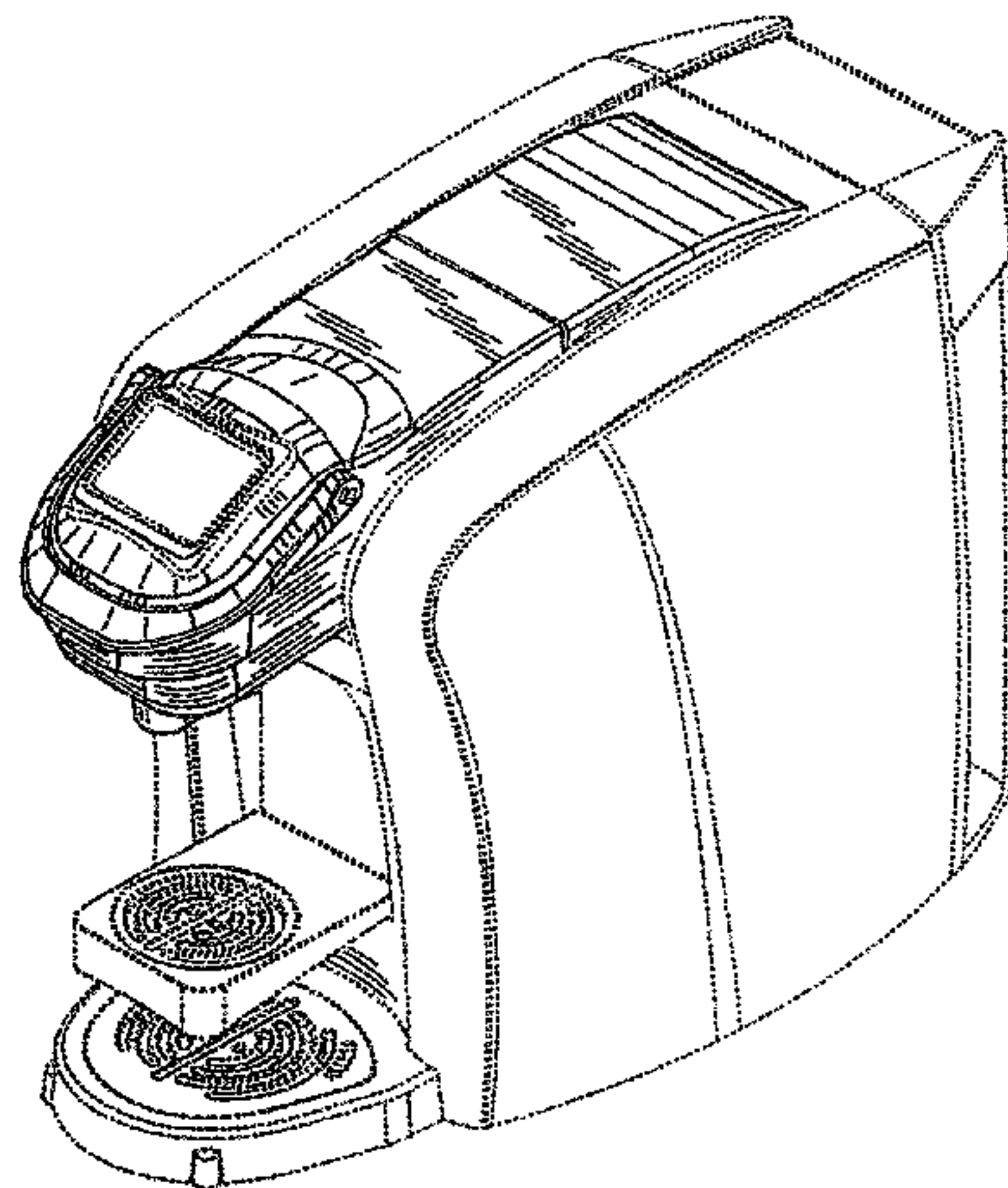
FIG. 6 is a rear elevation view of the beverage brewer of FIG. 1;

FIG. 7 is a top plan view of the beverage brewer of FIG. 1;

FIG. 8 is a bottom plan view of the beverage brewer of FIG. 1; and,

FIG. 9 is a front isometric view of the beverage brewer of FIG. 1, with the cup tray in the retracted position. The broken lines in the drawing depict portions of the beverage brewer that form no part of the claimed design.

1 Claim, 6 Drawing Sheets



(56)

References Cited

U.S. PATENT DOCUMENTS

D760,008 S * 6/2016 Moon D7/306
D779,257 S * 2/2017 Hale D7/306
D812,971 S * 3/2018 Moon D7/397
D840,733 S * 2/2019 Hale D7/306
2013/0004629 A1* 1/2013 Clark A47J 31/4467
426/231
2014/0342067 A1* 11/2014 Sullivan A47J 31/3633
426/425
2015/0201791 A1* 7/2015 Tinkler B65D 85/8043
426/431
2015/0335197 A1* 11/2015 Moon A47J 31/3633
99/295

OTHER PUBLICATIONS

USPTO, Election/Restriction Action, Jun. 25, 2018, re Design U.S.
Appl. No. 29/620,475.

* cited by examiner

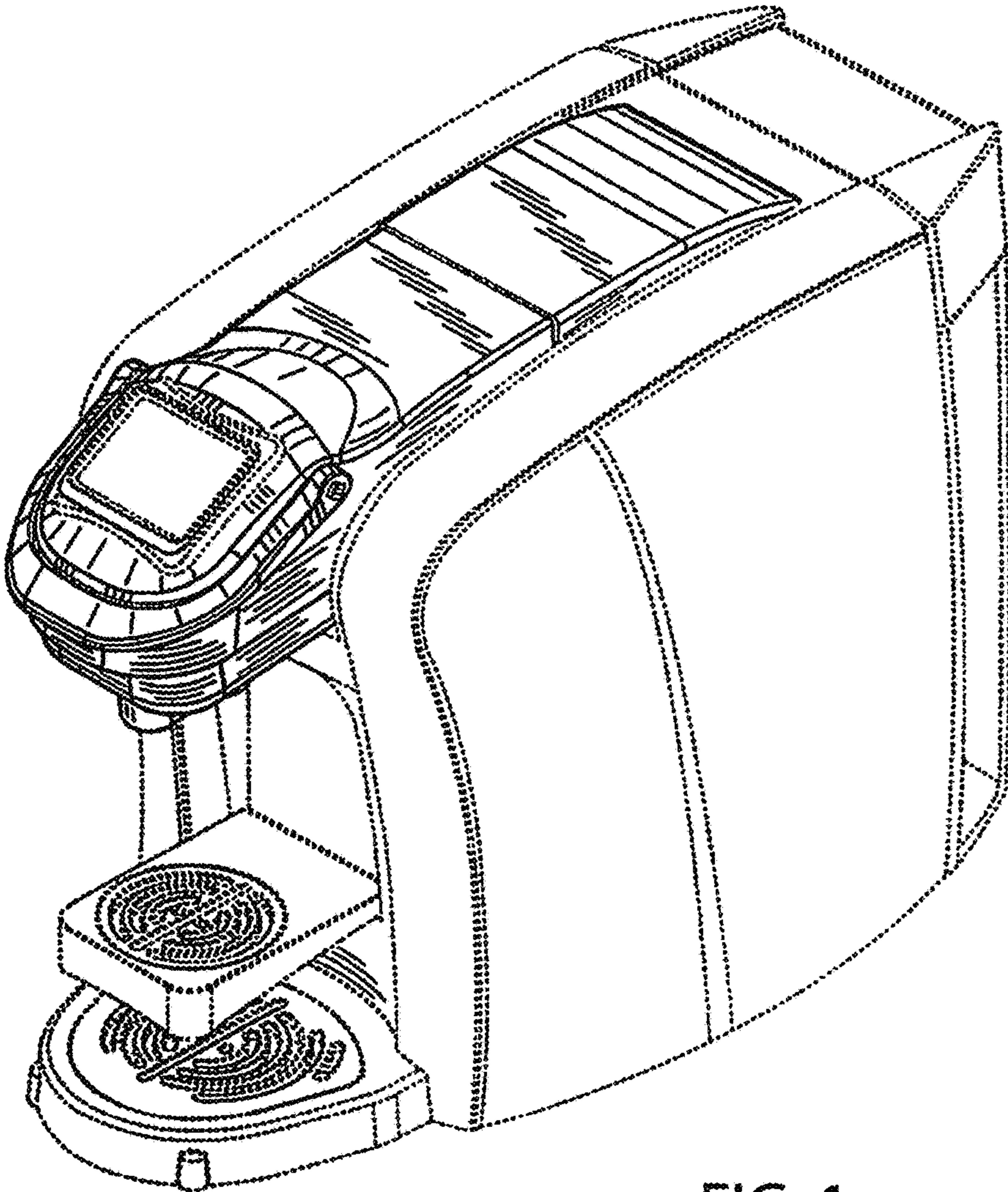


FIG. 1

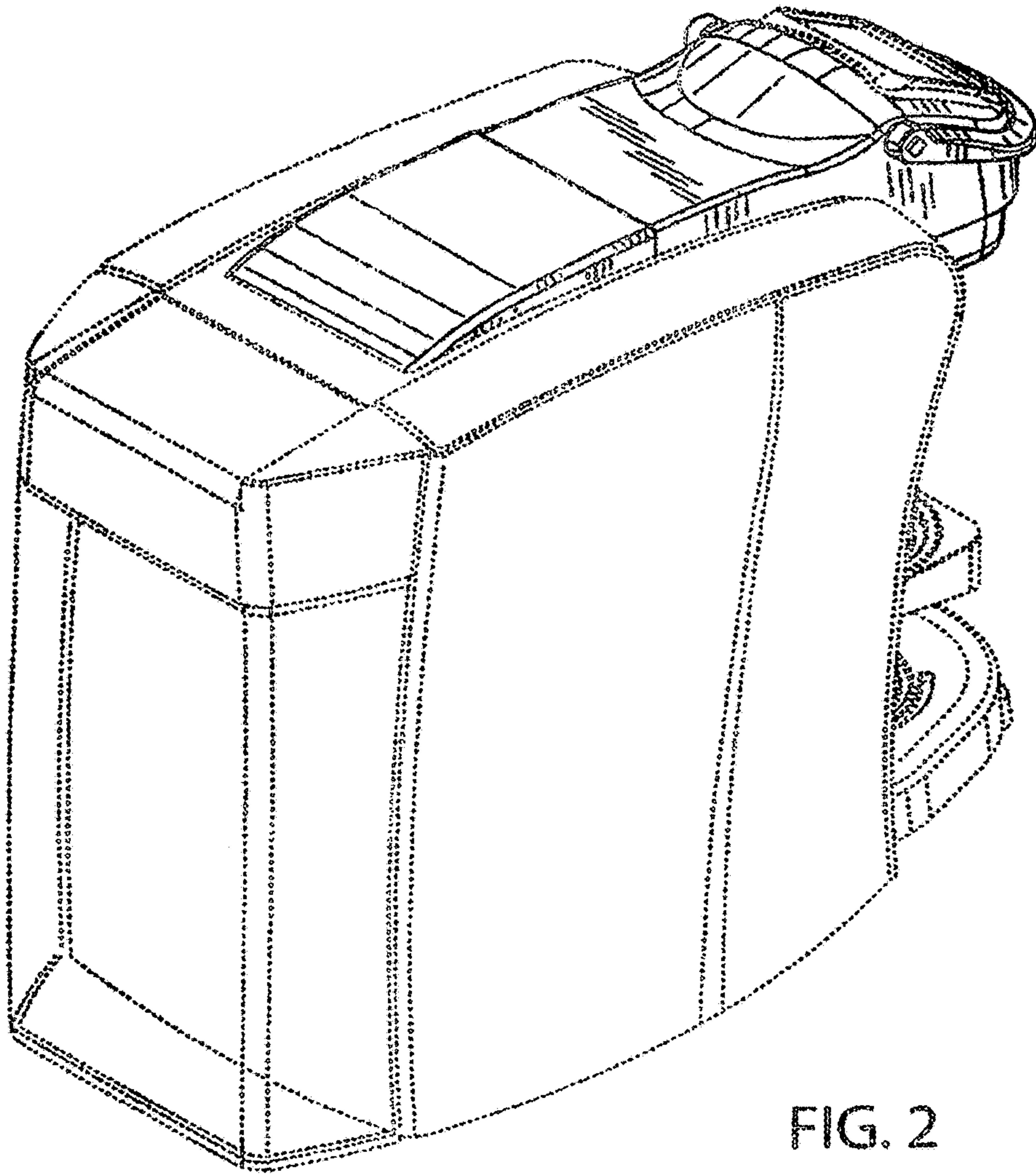


FIG. 2

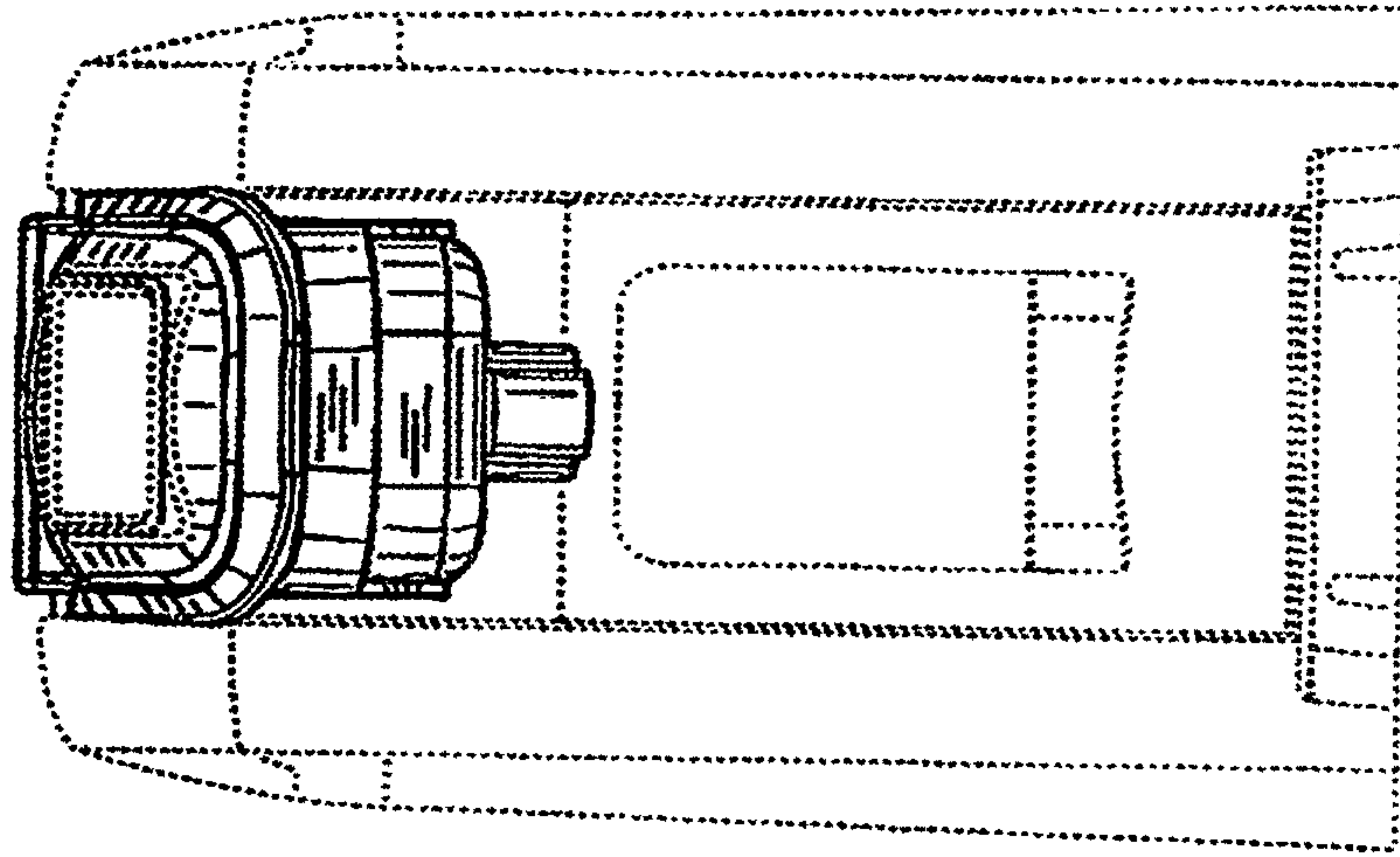


FIG. 4

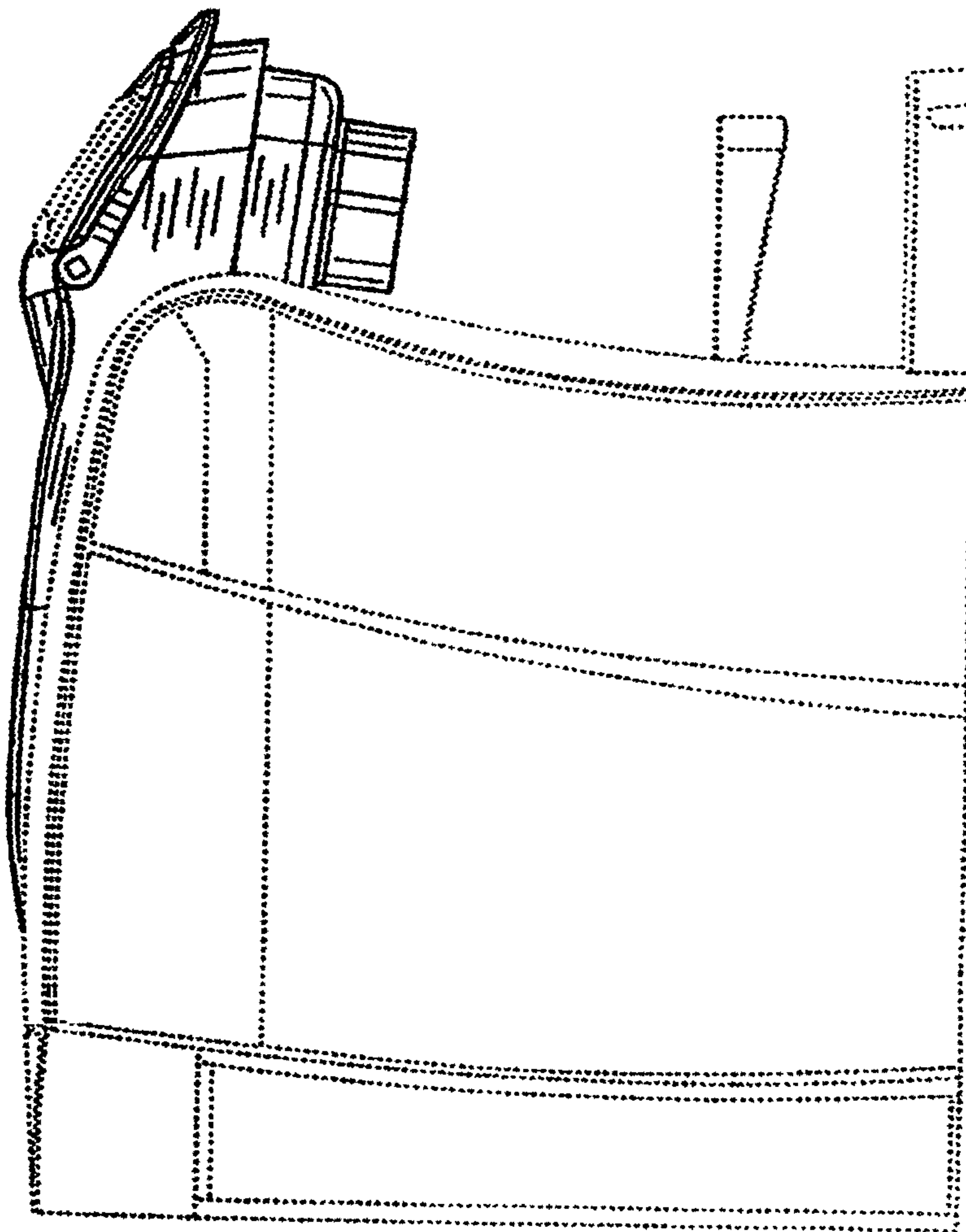


FIG. 3

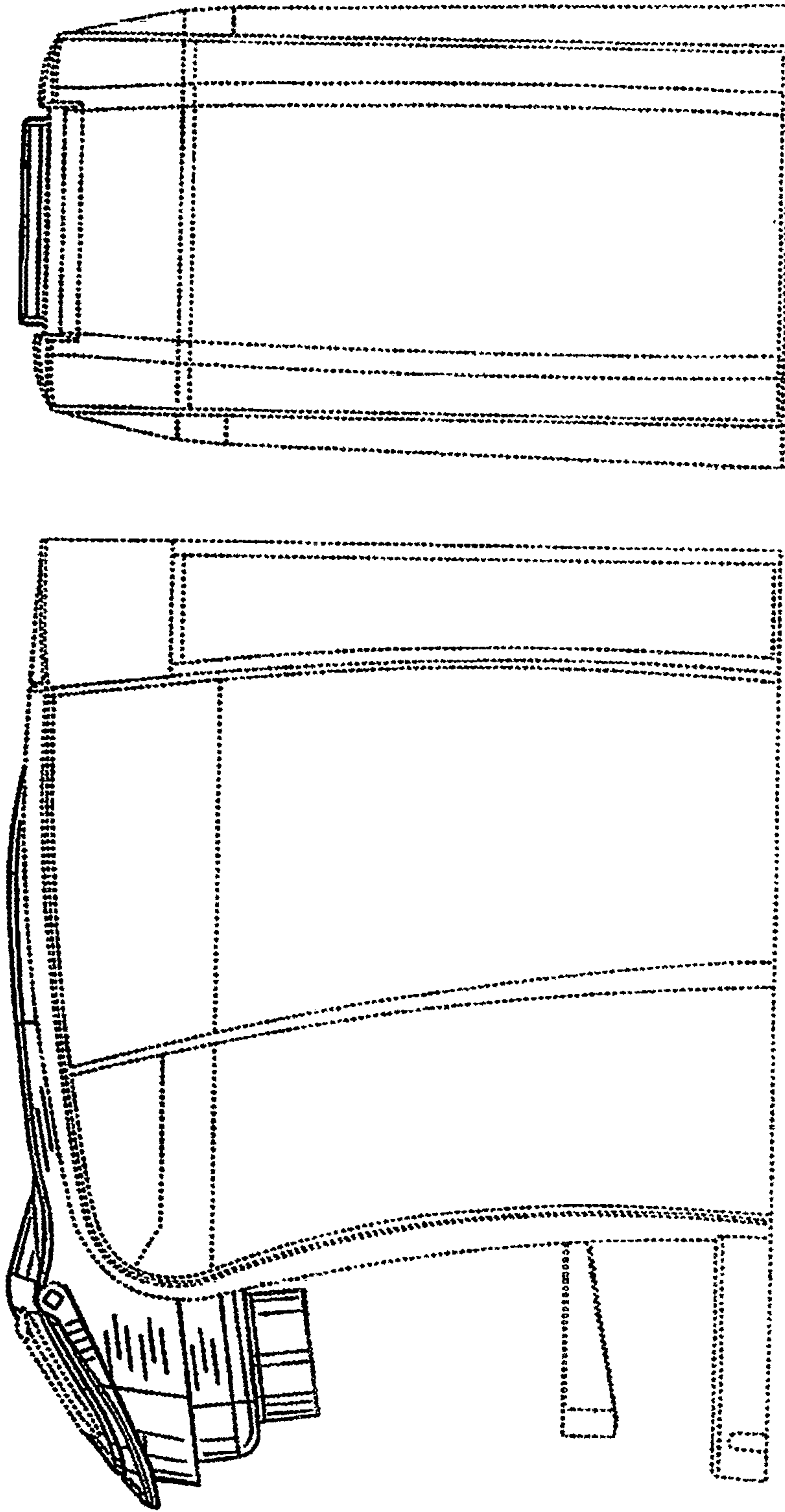


FIG. 6

FIG. 5

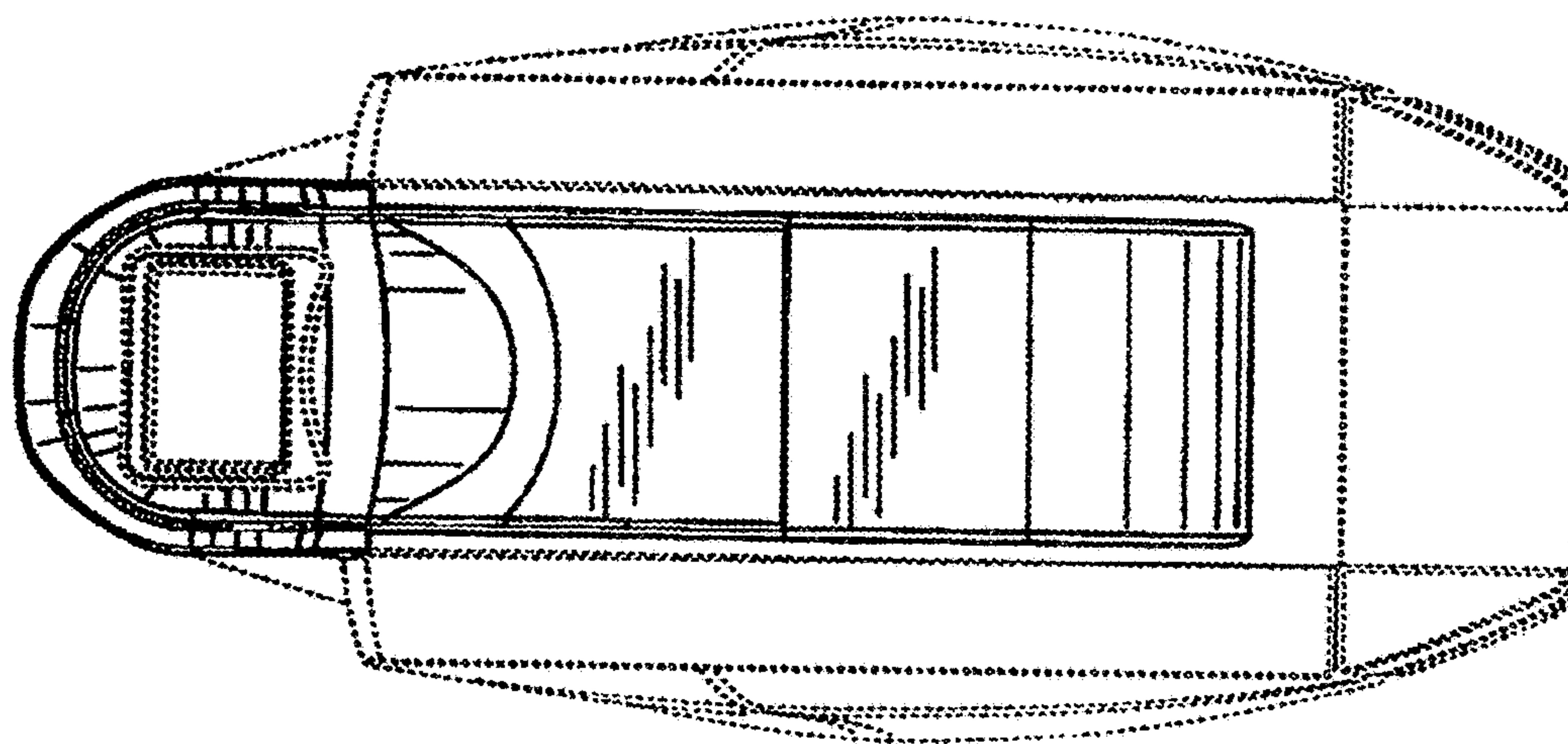


FIG. 7

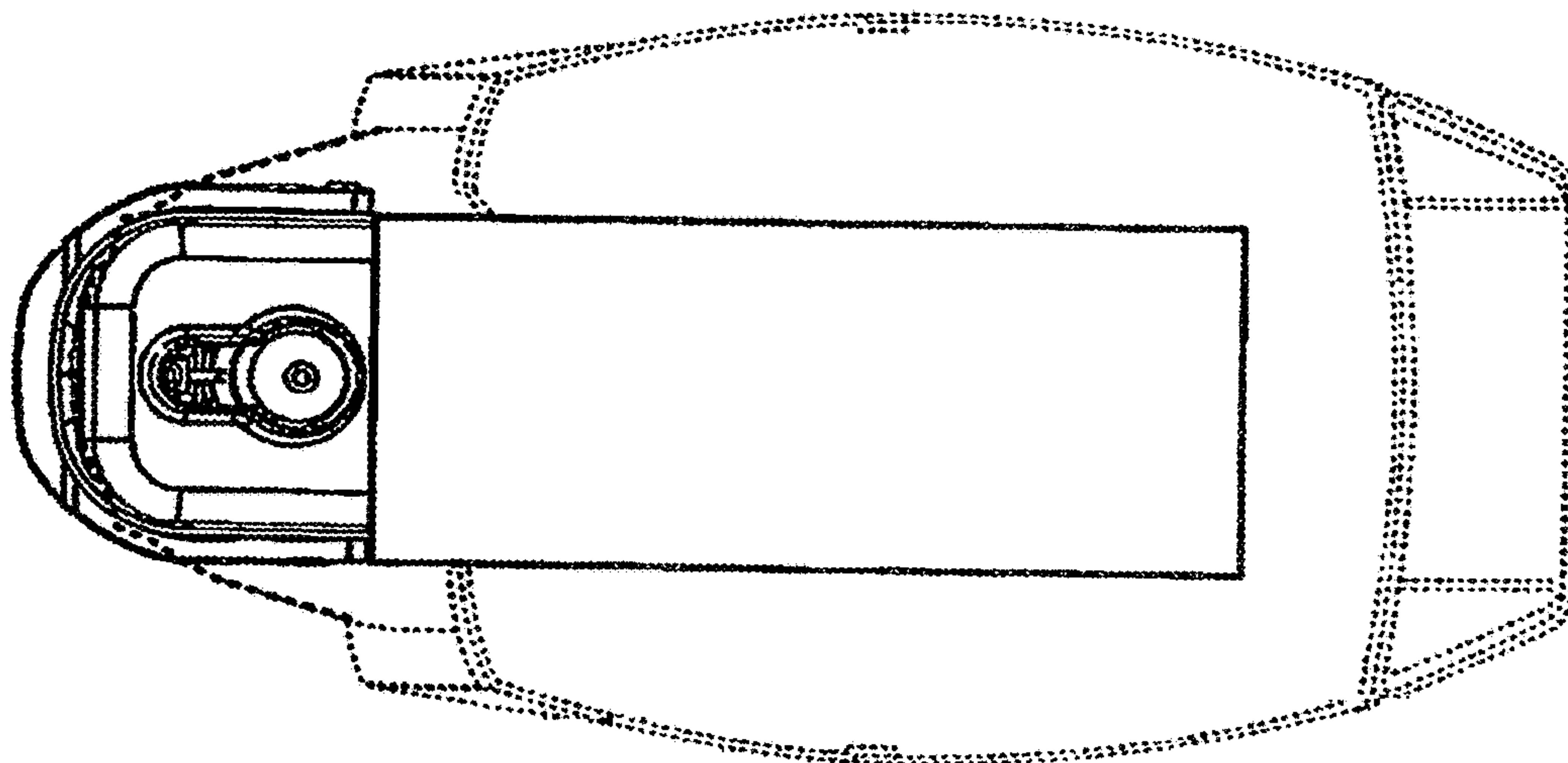


FIG. 8

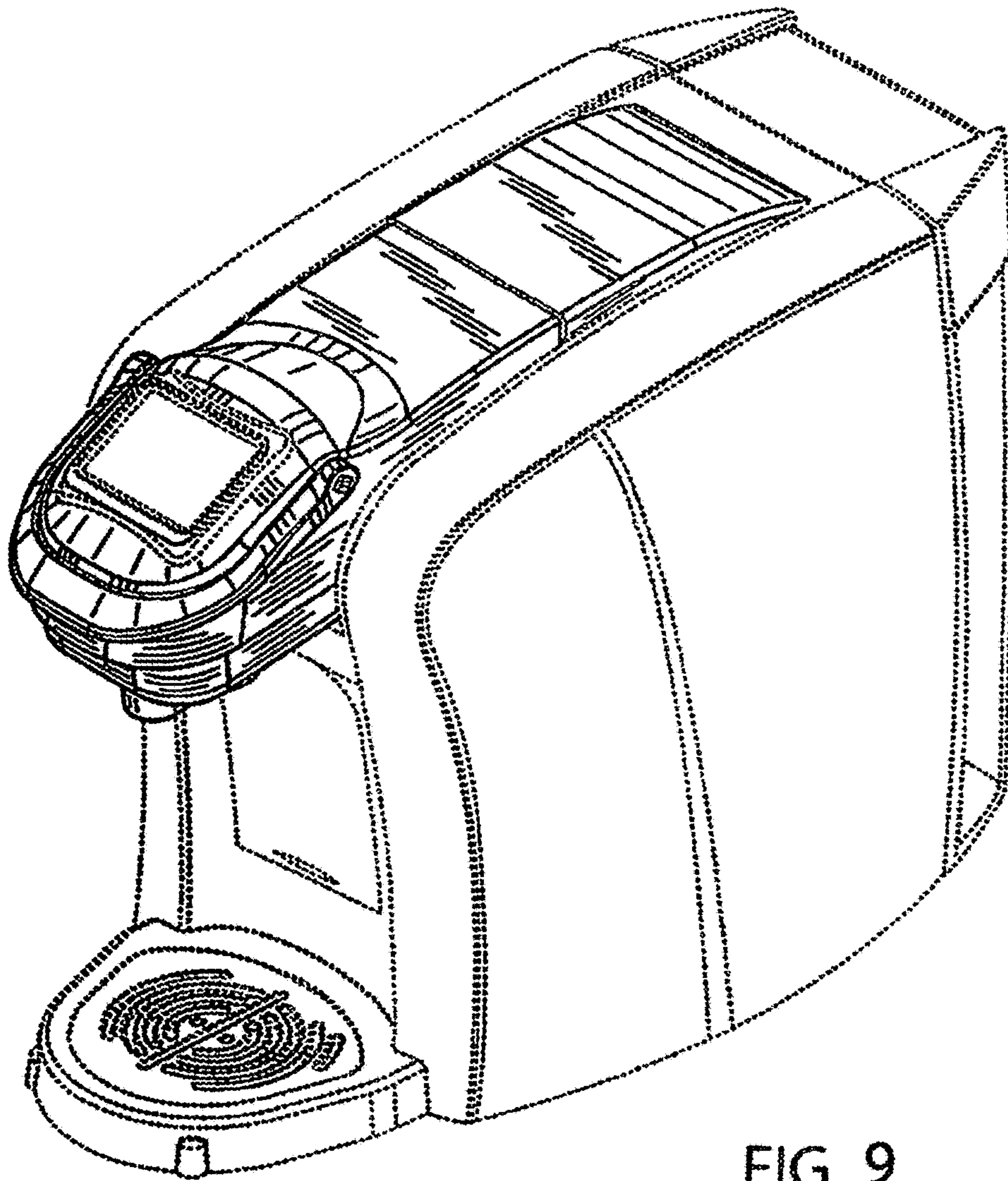


FIG. 9