



US00D868534S

(12) **United States Design Patent** (10) **Patent No.:** **US D868,534 S**
Lin (45) **Date of Patent:** **** Dec. 3, 2019**

(54) **BOTTLE CAP**
(71) Applicant: **Yitong Lin**, Fujian (CN)
(72) Inventor: **Yitong Lin**, Fujian (CN)
(73) Assignee: **Shenzhen Zhongmin Technology Co. Ltd.**, Shenzhen (CN)
(**) Term: **15 Years**
(21) Appl. No.: **29/648,071**
(22) Filed: **May 18, 2018**
(51) **LOC (12) Cl.** **07-99**
(52) **U.S. Cl.**
USPC **D7/392.1; D9/443**
(58) **Field of Classification Search**
USPC D9/428, 429, 432, 434, 435, 436, 439, D9/440, 443, 444, 445, 447, 449-455, D9/499, 500, 503, 504, 705; D7/317, D7/387, 391, 392, 392.1, 393, 396.1, D7/396.2, 509-511, 538, 900; D3/202, D3/203.2, 294, 302, 318; D28/91
CPC .. A61J 1/00; A61J 1/1412; B65D 1/00; B65D 1/02; B65D 1/10; B65D 1/46; B65D 2585/56; B65D 2585/545; B65D 41/00; B65D 41/38; B65D 41/56; B65D 41/62; B65D 47/00; B65D 47/06; B65D 47/08; B65D 2543/00046; B65D 2543/00092; B65D 2543/00296; B65D 5/46; B65D 2251/00
See application file for complete search history.

(56) **References Cited**
U.S. PATENT DOCUMENTS
D165,653 S * 1/1952 Johnson D32/34
D547,607 S * 7/2007 Forsman D7/396.2
D649,879 S * 12/2011 Gullickson D9/443
D652,256 S * 1/2012 Eyal D7/510

D682,034 S * 5/2013 El-Saden D7/510
D685,606 S * 7/2013 Keys D7/392.1
D700,014 S * 2/2014 Zeanah D7/510
D704,986 S * 5/2014 Manies D7/392.1
D724,384 S * 3/2015 Donovan D7/510
D729,569 S * 5/2015 Herbst D7/392
D732,892 S * 6/2015 Keys D7/510
D786,012 S * 5/2017 Hein D7/396.2
D799,320 S * 10/2017 Goodwin D7/392.1
D804,903 S * 12/2017 Mason D7/510
D806,468 S * 1/2018 Goodwin D7/392.1
D810,500 S * 2/2018 Maple D7/392.1
D811,162 S * 2/2018 Rane D7/396.2
D812,966 S * 3/2018 Murosky D7/392.1
D814,855 S * 4/2018 Hammer D7/392.1
D818,317 S * 5/2018 Fu D7/510
D820,637 S * 6/2018 Davis D7/392.1
D823,061 S * 7/2018 Murosky D7/510
D830,771 S * 10/2018 Lin D7/510
D835,938 S * 12/2018 Zou D7/392.1

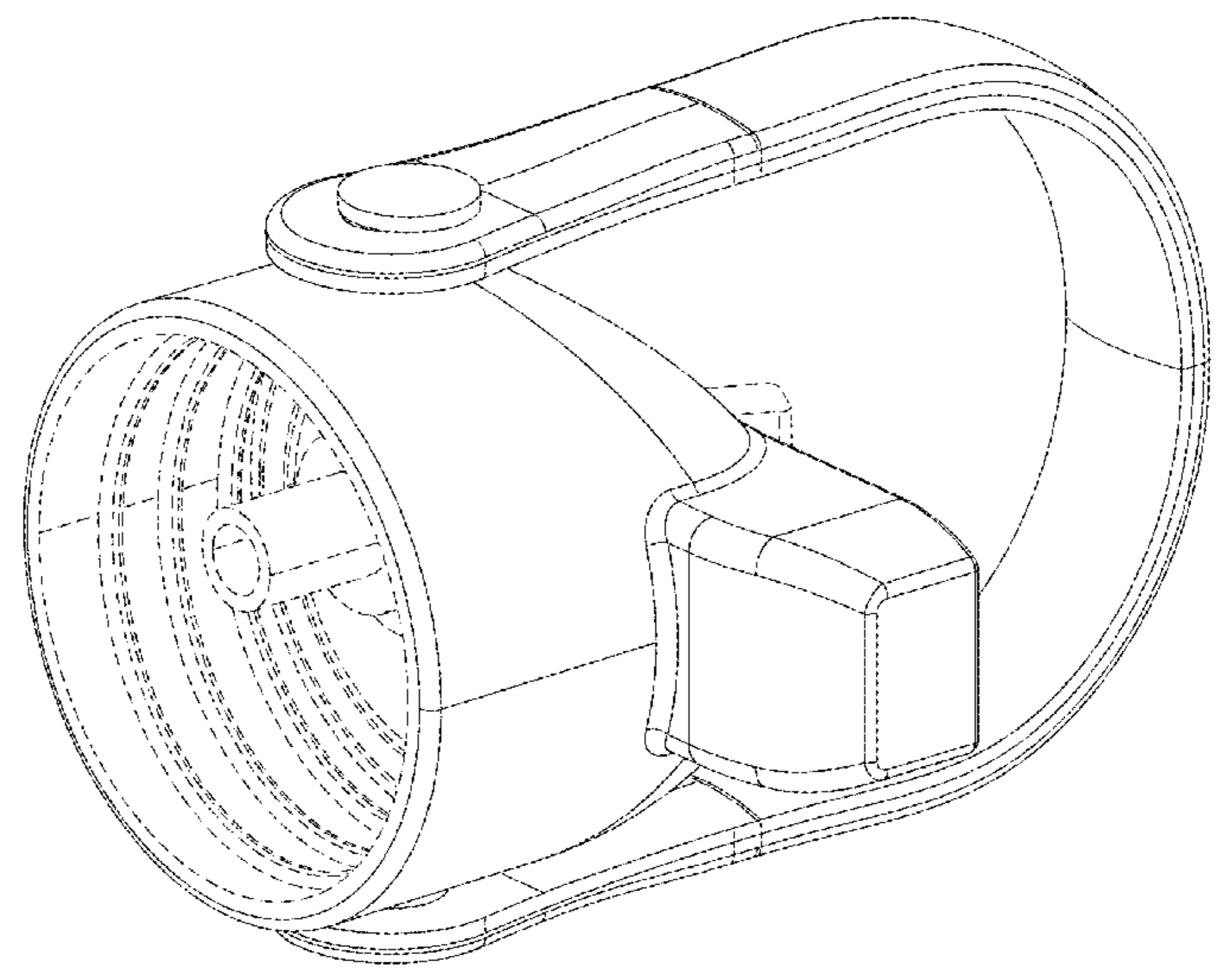
(Continued)

Primary Examiner — Michael A. Pratt
Assistant Examiner — Wendy L Arminio
(74) *Attorney, Agent, or Firm* — Justin Lampel

(57) **CLAIM**
The ornamental design for a bottle cap, as shown and described.

DESCRIPTION
FIG. 1 is a perspective view of a bottle cap showing my new design;
FIG. 2 is a front side view thereof;
FIG. 3 is a rear side view thereof;
FIG. 4 is a right side view thereof;
FIG. 5 is a left side view thereof;
FIG. 6 is a bottom plan view thereof; and,
FIG. 7 is a top plan view thereof.
The broken lines depict portions of the bottle cap that form no part of the claimed design.

1 Claim, 7 Drawing Sheets



(56)

References Cited

U.S. PATENT DOCUMENTS

D844,376 S * 4/2019 Rosette D7/392
2016/0318693 A1 * 11/2016 Hein B65D 41/0442

* cited by examiner

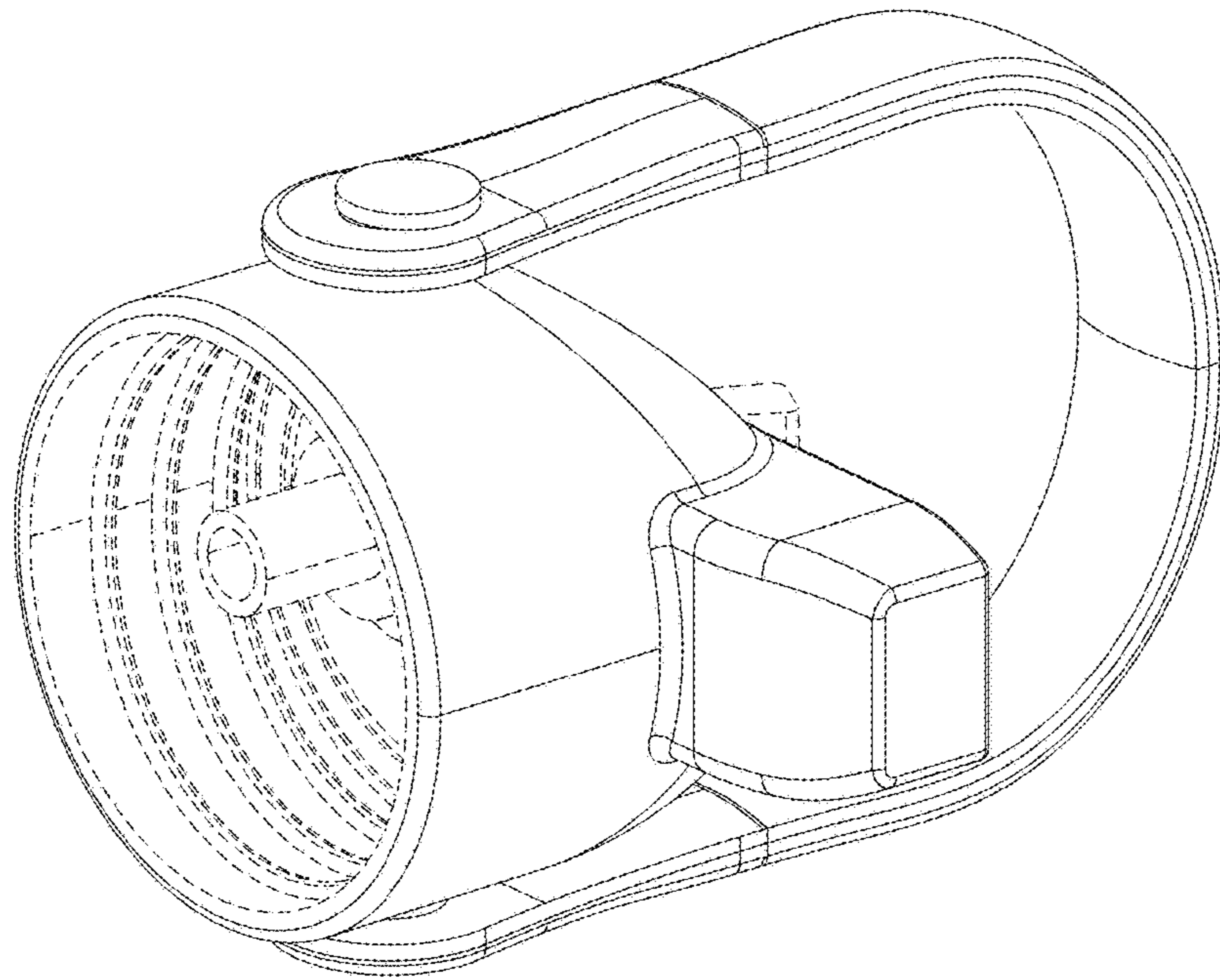


FIG. 1

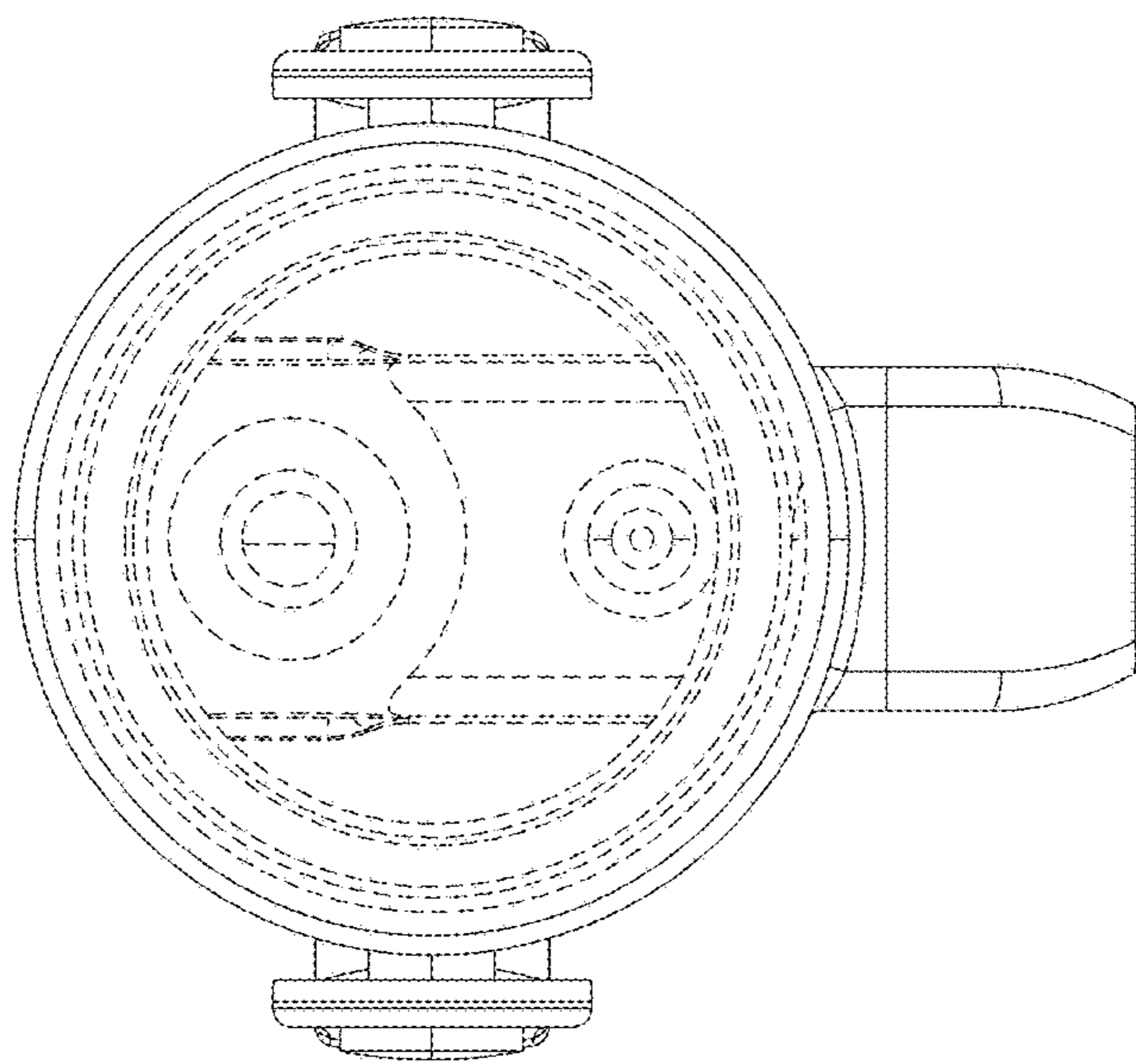


FIG. 2

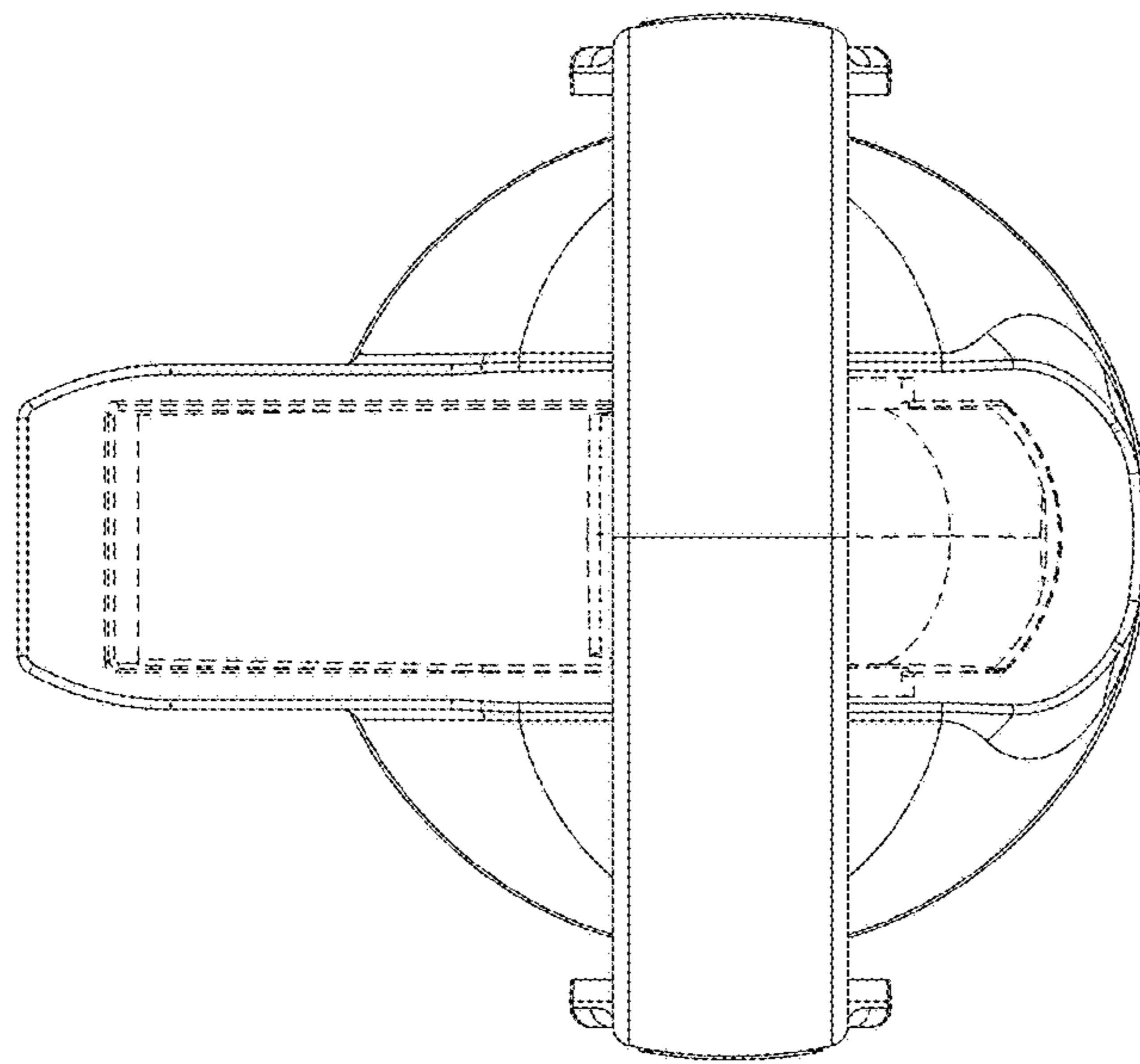


FIG. 3

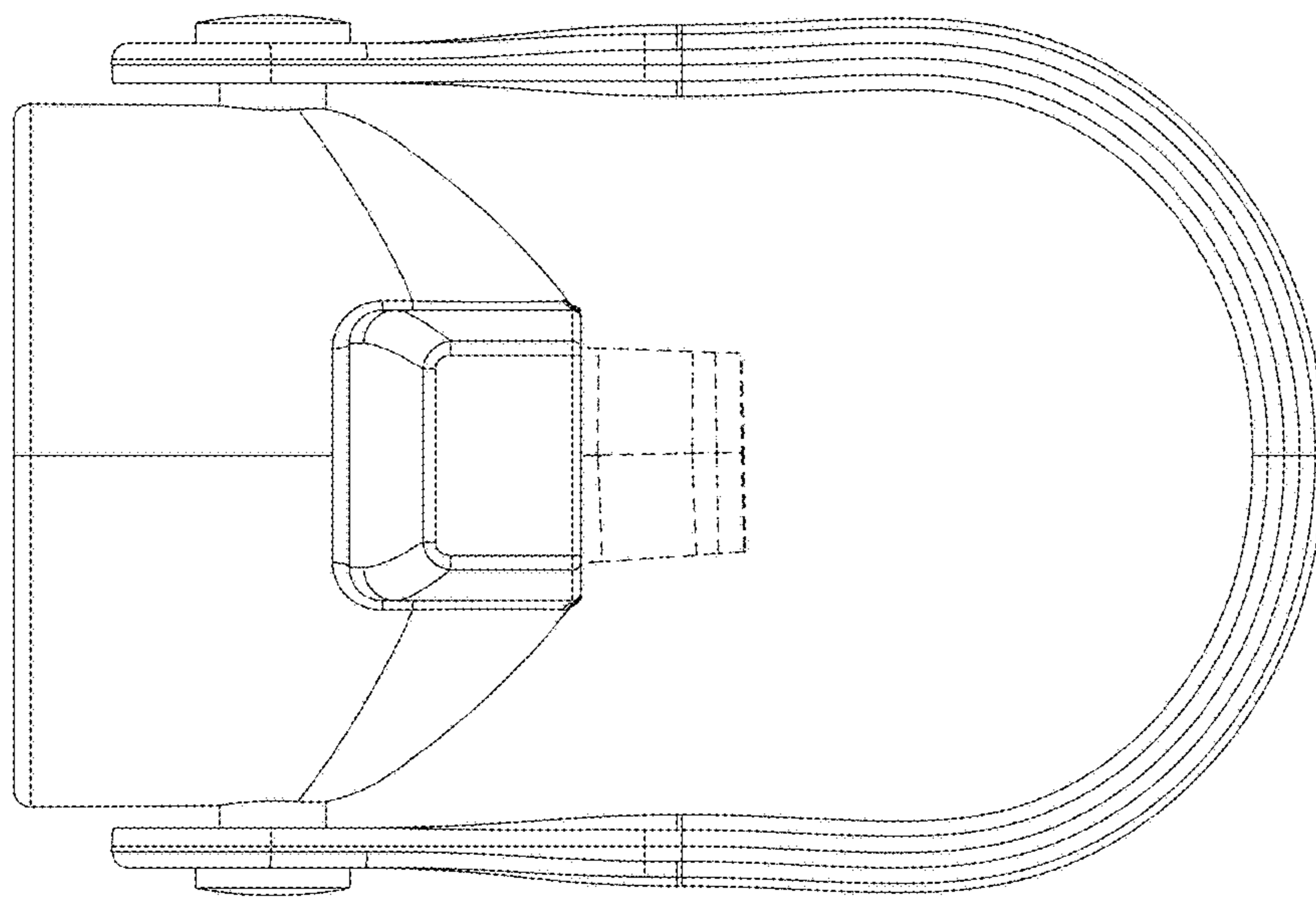


FIG. 4

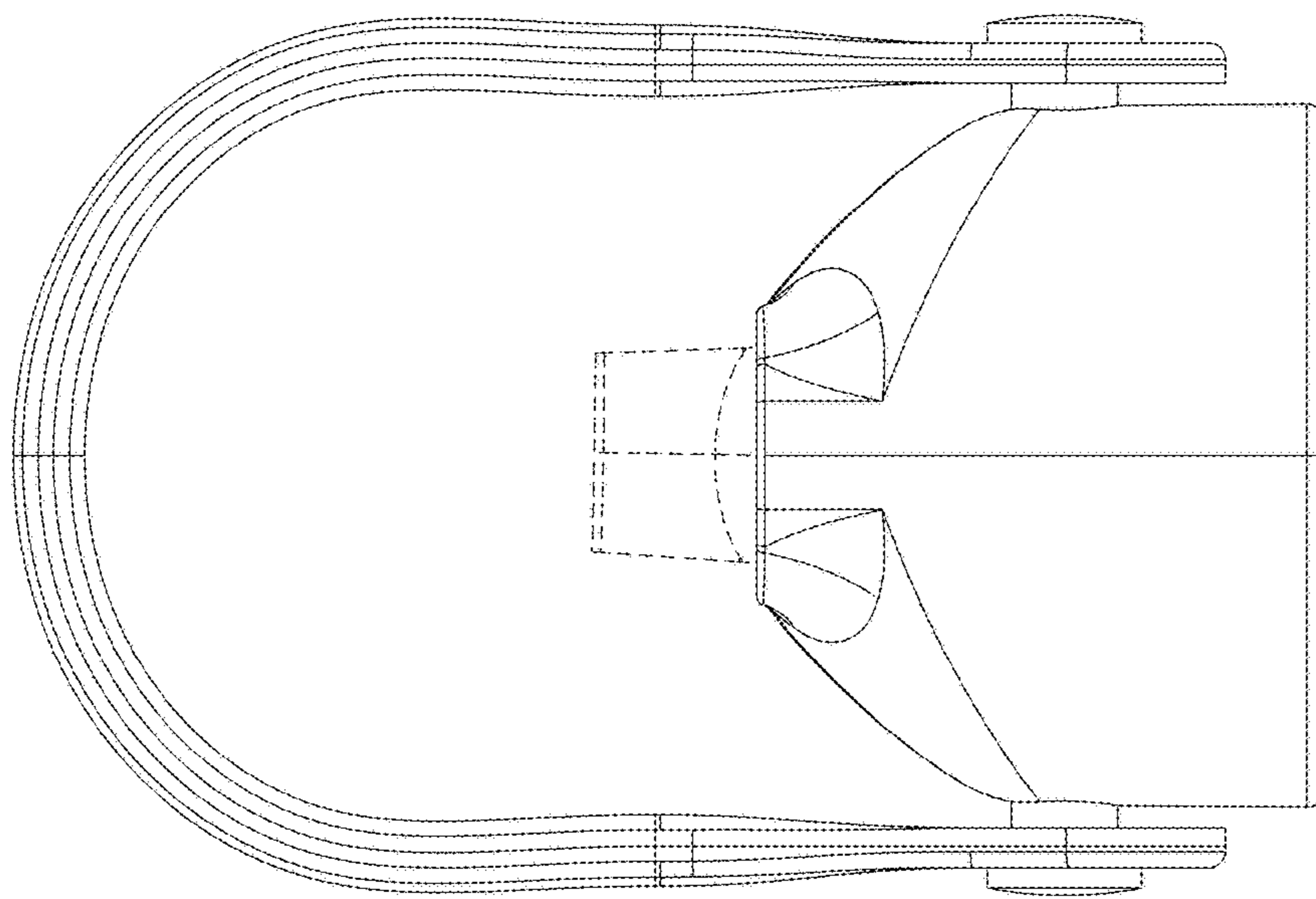


FIG. 5

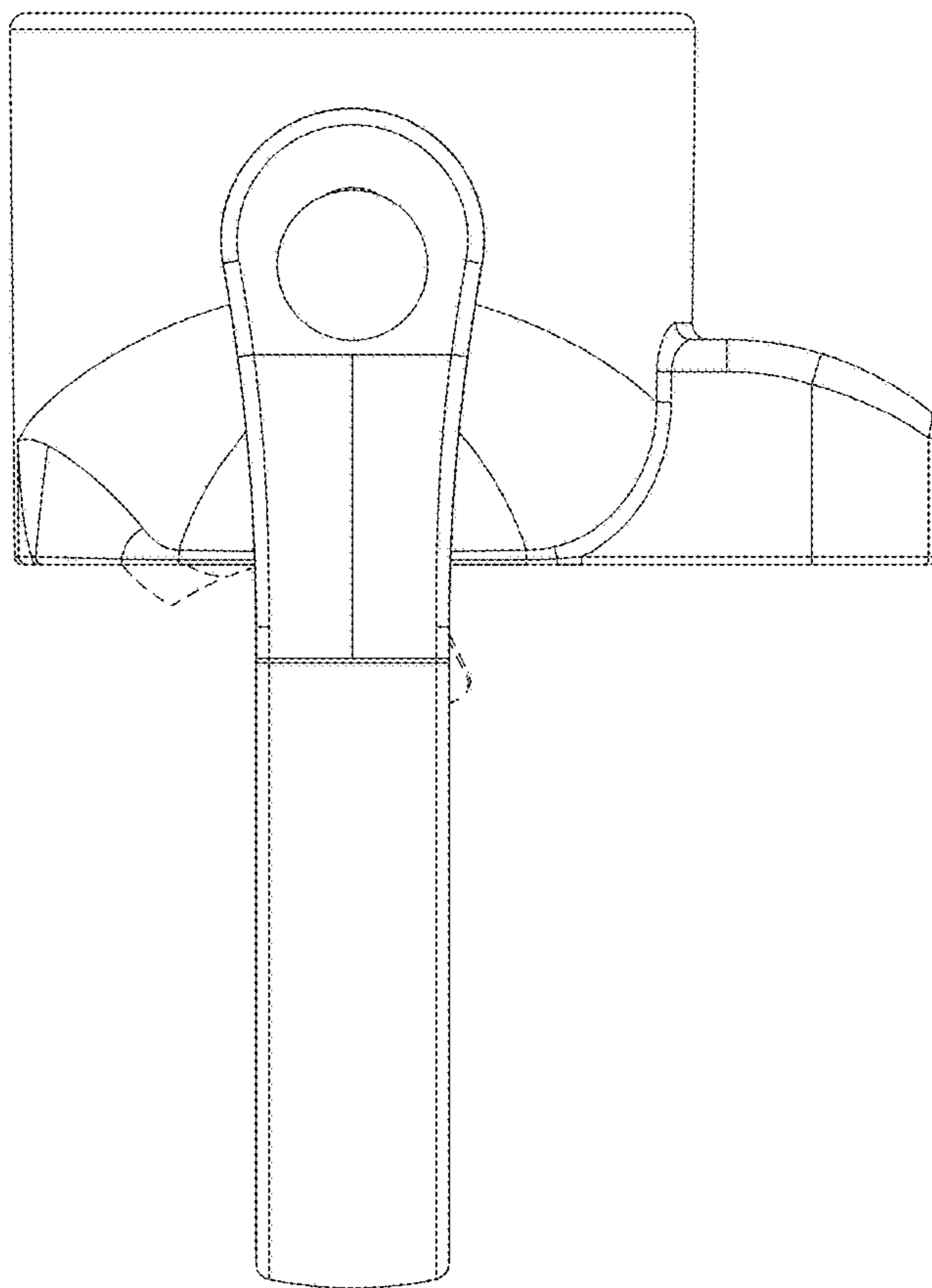


FIG. 6

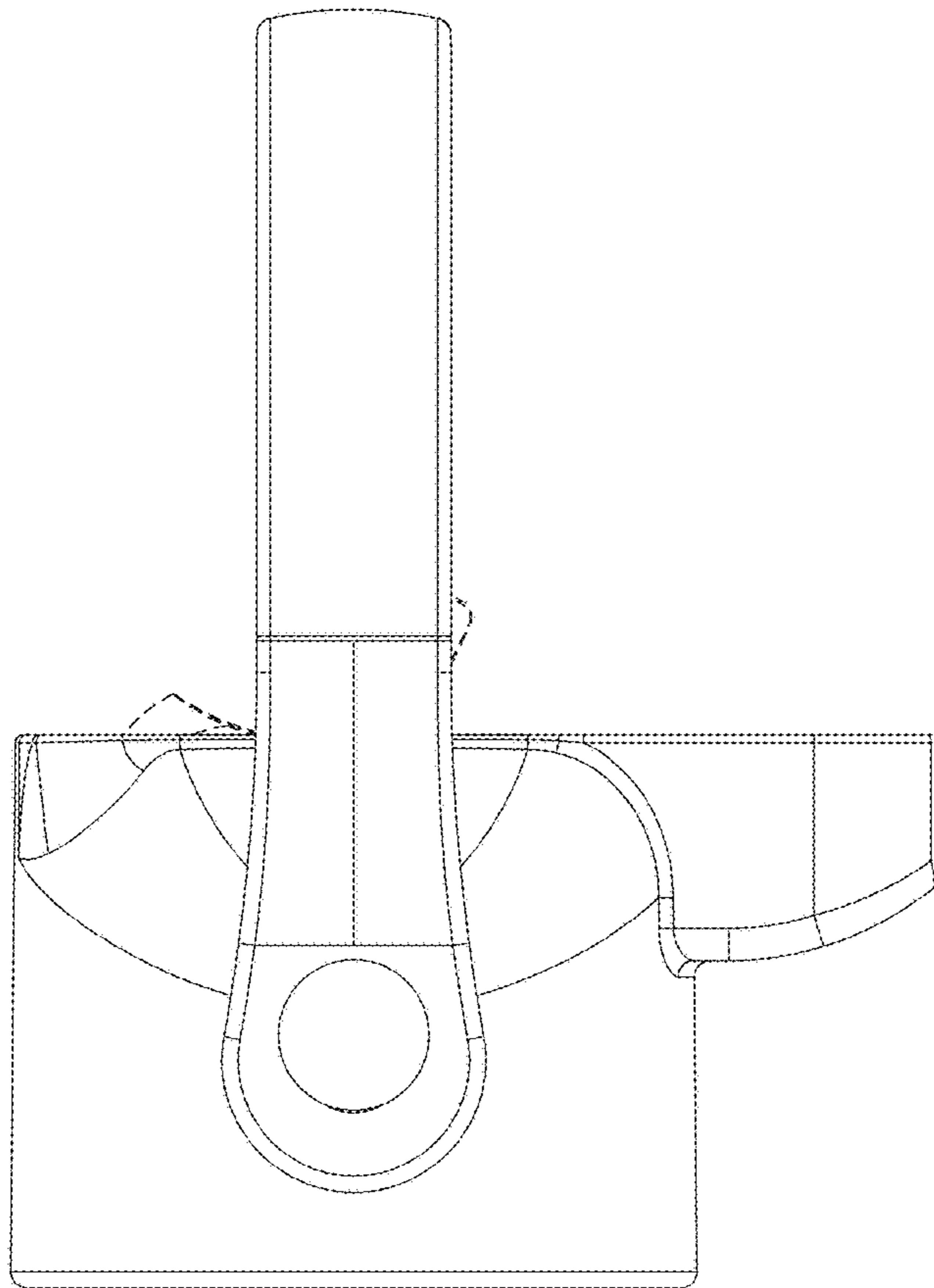


FIG. 7