



US00D868533S

(12) **United States Design Patent**  
**Han**

(10) **Patent No.:** **US D868,533 S**

(45) **Date of Patent:** **\*\* Dec. 3, 2019**

(54) **TRAINER CUP LID**

(71) Applicant: **BARENTHAL NORTH AMERICA, INC.**, Whippany, NJ (US)

(72) Inventor: **Hongyuan Han**, New Vernon, NJ (US)

(\*\*) Term: **15 Years**

(21) Appl. No.: **29/637,811**

(22) Filed: **Feb. 22, 2018**

(51) **LOC (12) Cl.** ..... **07-99**

(52) **U.S. Cl.**  
USPC ..... **D7/392.1; D7/392; D7/510**

(58) **Field of Classification Search**  
USPC ..... D9/452, 453, 454, 435, 447, 449;  
D7/392, 392.1, 510  
CPC ..... A47G 21/18; A61J 7/0038; B65D  
2517/0049  
See application file for complete search history.

(56) **References Cited**

**U.S. PATENT DOCUMENTS**

4,243,156	A *	1/1981	Lobbestael	.....	B65D 47/10 220/265
D293,083	S *	12/1987	Gloor	.....	D7/900
D361,469	S *	8/1995	Young	.....	D7/392.1
D363,852	S *	11/1995	Young	.....	D7/392
D368,624	S *	4/1996	Forrer	.....	D7/392.1
5,542,670	A *	8/1996	Morano	.....	A47G 19/2272 137/512.4
D397,906	S *	9/1998	Briggs	.....	D7/392.1
5,890,620	A *	4/1999	Belcastro	.....	A47G 19/2272 215/11.4
D419,029	S *	1/2000	Randolph	.....	D7/392
D452,415	S *	12/2001	McDonough	.....	D7/510
D457,778	S *	5/2002	Randolph	.....	D7/392.1
D492,883	S *	7/2004	Shumway	.....	D7/392.1
D497,512	S *	10/2004	Randolph	.....	D7/392.1
D500,226	S *	12/2004	Randolph	.....	D7/392.1

D520,809	S *	5/2006	Randolph	.....	D7/392.1
D551,021	S *	9/2007	Rouso	.....	D7/510
D561,522	S *	2/2008	Gordon	.....	D7/392
D620,754	S *	8/2010	Duke	.....	D7/510
D630,510	S *	1/2011	Yacktman	.....	D9/447
D634,161	S *	3/2011	Roth	.....	D7/510
D652,256	S *	1/2012	Eyal	.....	D7/510
D713,671	S *	9/2014	De Leo	.....	D7/392.1
D747,145	S *	1/2016	Struckmeier	.....	D7/510
D764,235	S *	8/2016	Parker	.....	D7/510

(Continued)

*Primary Examiner* — Karen S Acker

*Assistant Examiner* — Steven B Reinholdt, Jr.

(74) *Attorney, Agent, or Firm* — Preti Flaherty Beliveau & Pachios LLP

(57) **CLAIM**

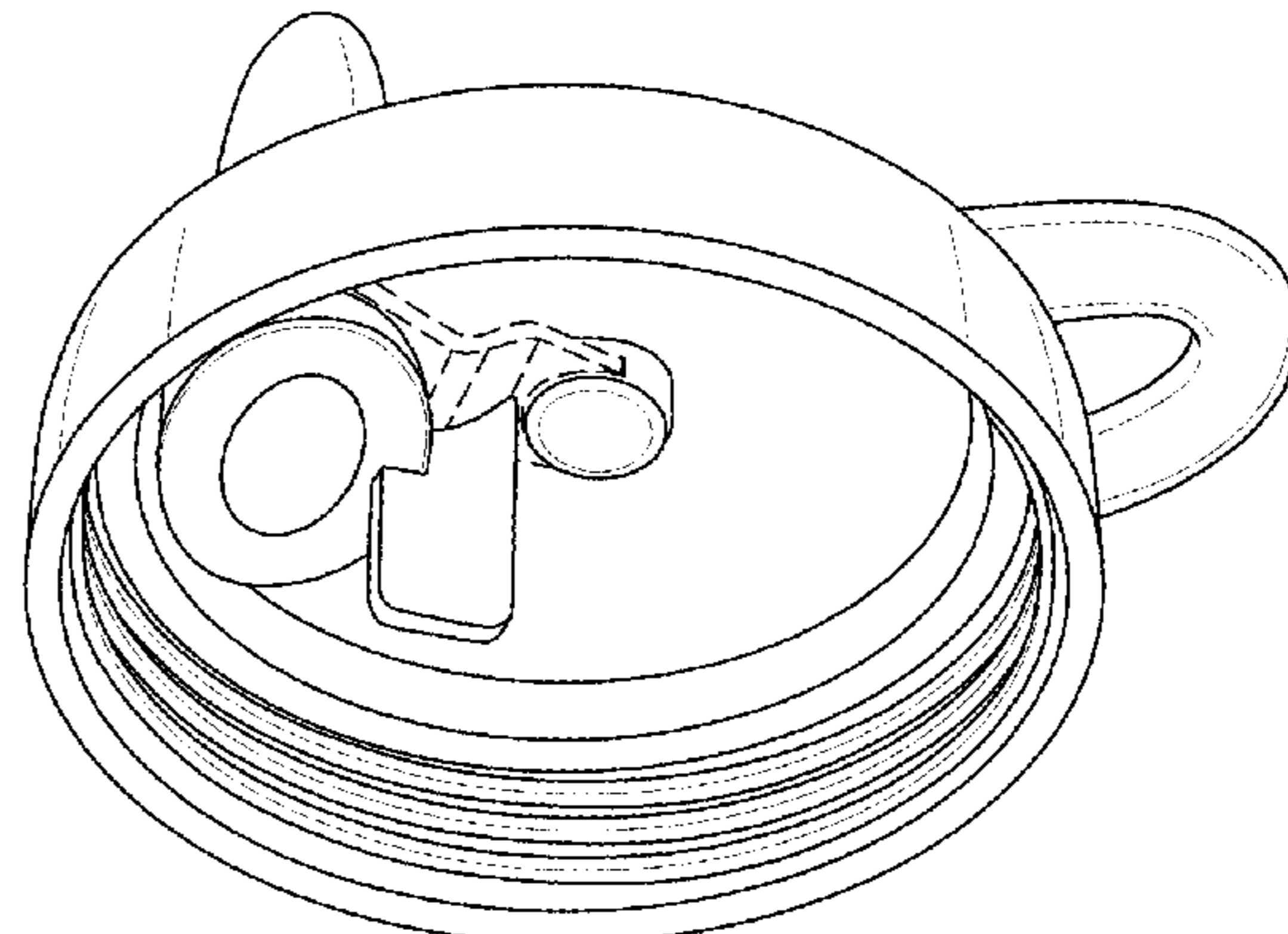
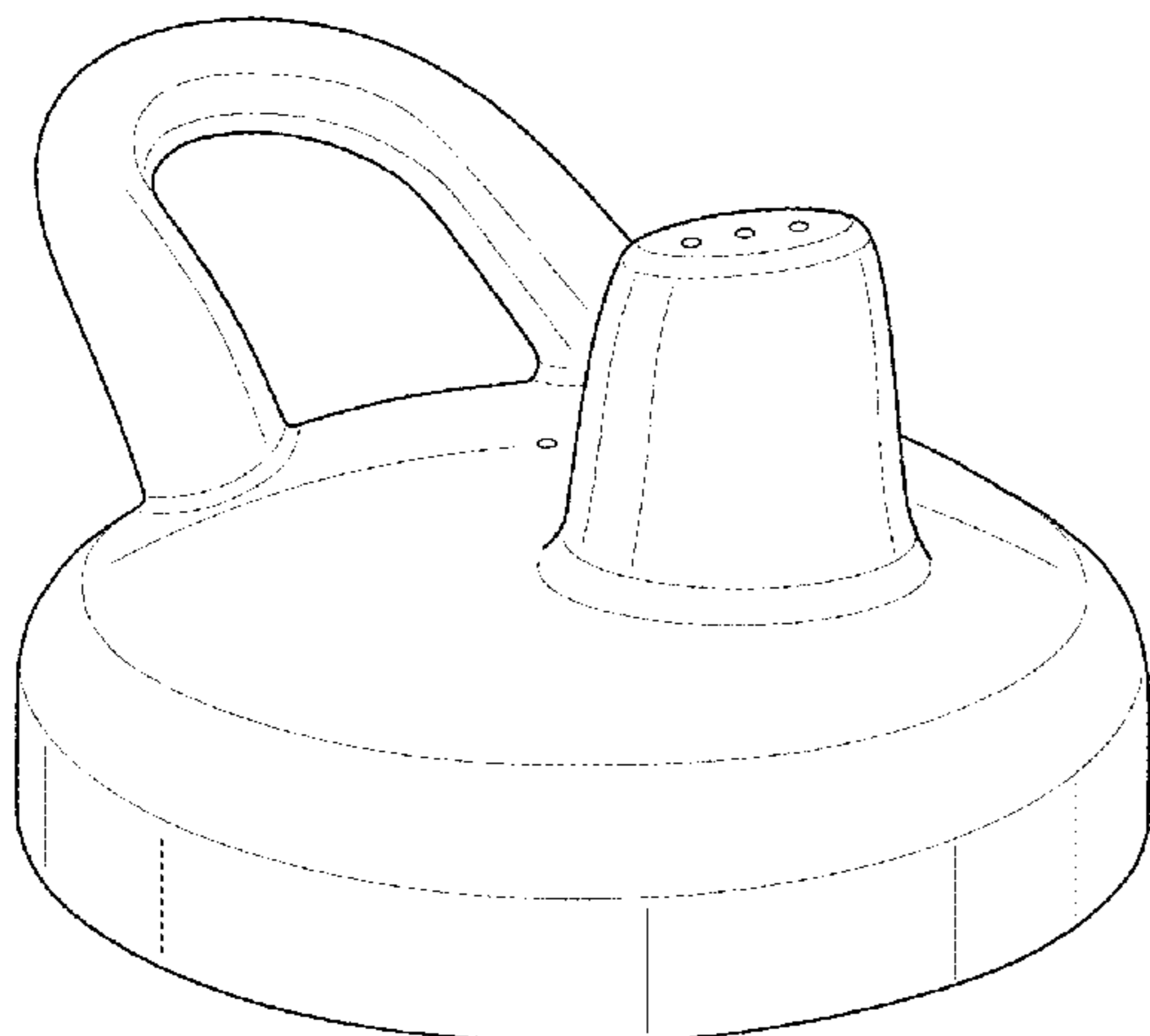
The ornamental design for a trainer cup lid, as shown and described.

**DESCRIPTION**

FIG. 1 is a top, front and left perspective view of a trainer cup lid according to the present invention;  
 FIG. 2 is a front view of the trainer cup lid of FIG. 1;  
 FIG. 3 is a top plan view of the trainer cup lid of FIG. 1;  
 FIG. 4 is a right view of the trainer cup lid of FIG. 1, the left view being a mirror image thereto;  
 FIG. 5 is a top and right perspective view of the trainer cup lid of FIG. 1, the top-left view being a mirror image thereto;  
 FIG. 6 is a top, back and left perspective view of a trainer cup lid of FIG. 1, the upper-back-right view being a mirror image thereto;  
 FIG. 7 is a bottom and right perspective view of the trainer cup lid of FIG. 1; and,  
 FIG. 8 is a bottom and left perspective view of the trainer cup lid of FIG. 1.

The broken lines in the drawings depict environmental subject matter only and form no part of the claimed design.

**1 Claim, 4 Drawing Sheets**



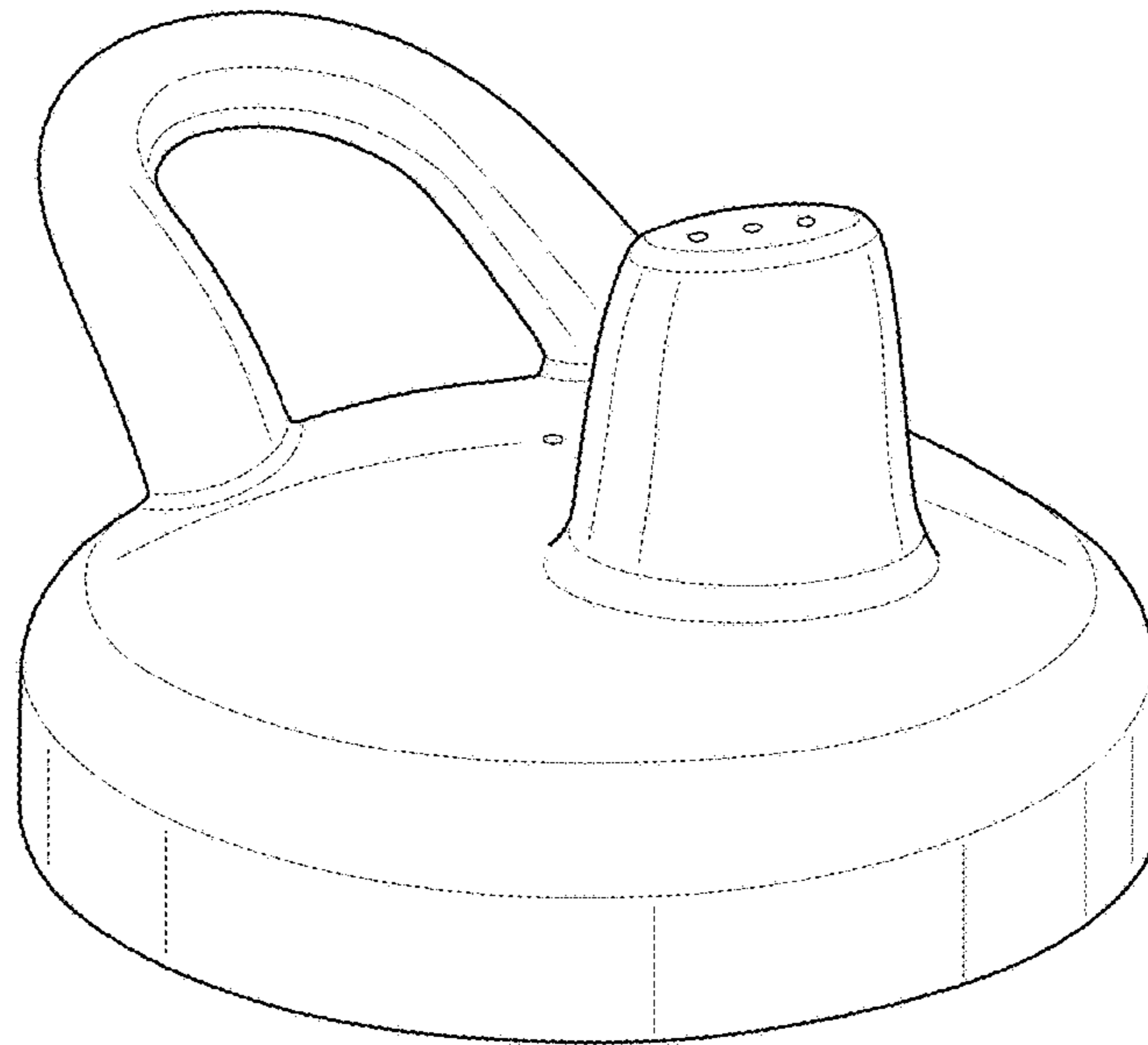
(56)

**References Cited**

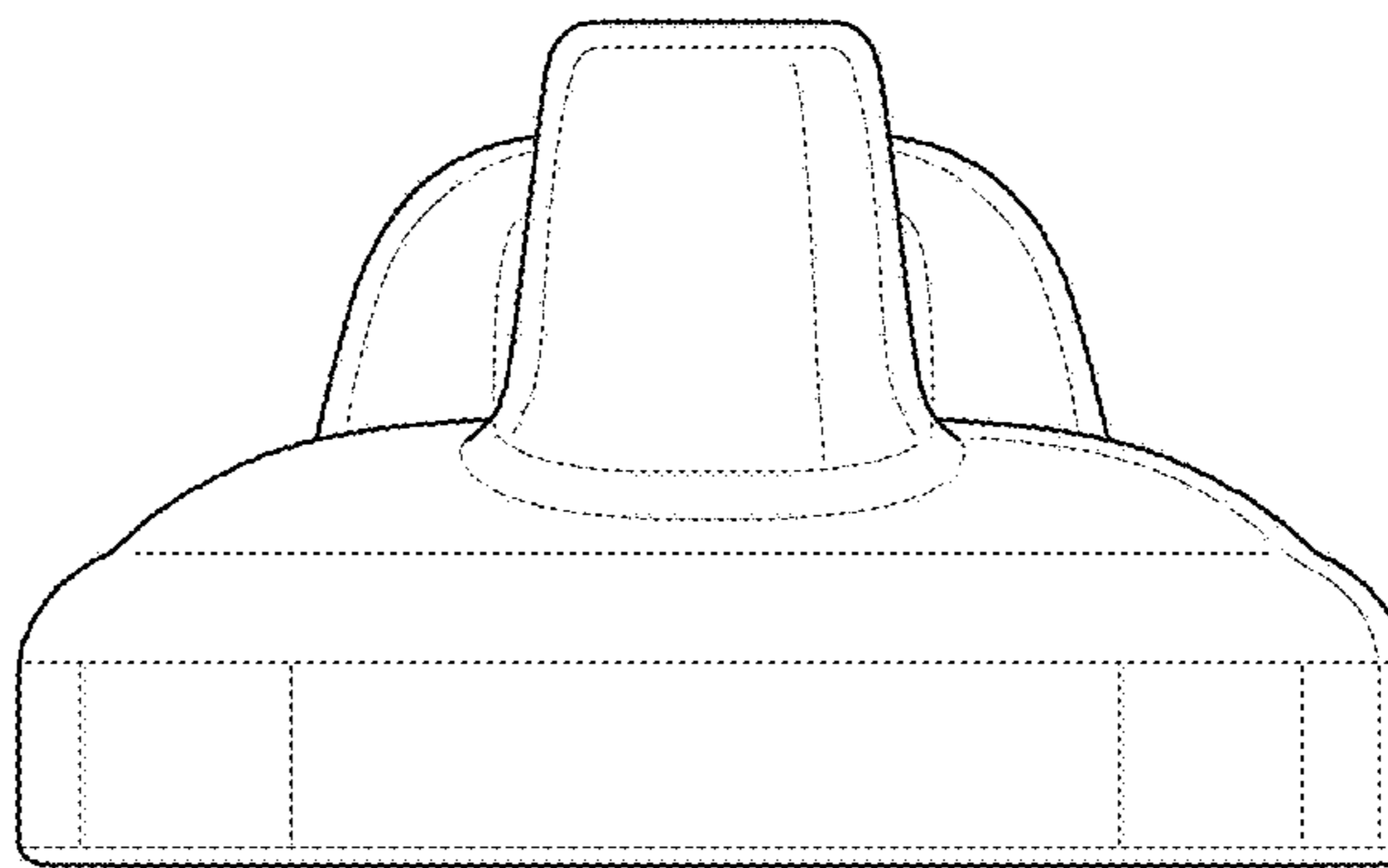
## U.S. PATENT DOCUMENTS

D767,336 S \* 9/2016 Waggoner ..... D7/507  
D783,359 S \* 4/2017 Sawyer ..... D7/510  
D784,766 S \* 4/2017 Sawyer ..... D7/510  
D784,767 S \* 4/2017 Sawyer ..... D7/510  
D793,154 S \* 8/2017 Sorensen ..... D7/392.1  
D796,262 S \* 9/2017 Parker ..... D7/510  
D811,810 S \* 3/2018 Joseph ..... D7/392.1  
D812,419 S \* 3/2018 Yao ..... D7/392.1  
D814,855 S \* 4/2018 Hammer ..... D7/392.1  
D815,905 S \* 4/2018 Schlegel ..... D7/510  
D816,398 S \* 5/2018 Fleischhut ..... D7/392.1  
D816,409 S \* 5/2018 Sawyer ..... D7/510  
D817,084 S \* 5/2018 Hammer ..... D7/392.1  
D820,637 S \* 6/2018 Davis ..... D7/392.1  
D833,816 S \* 11/2018 Chung ..... D7/510  
2002/0033399 A1 \* 3/2002 Manganiello ..... A47G 19/2272  
220/714  
2006/0226110 A1 \* 10/2006 Choi ..... A47G 19/2266  
215/228  
2008/0128438 A1 \* 6/2008 Lane ..... A47G 19/2272  
220/717  
2011/0253733 A1 \* 10/2011 Meyers ..... B65D 47/089  
220/833  
2012/0181307 A1 \* 7/2012 Grosser ..... B65D 47/06  
222/478  
2014/0353275 A1 \* 12/2014 Hung ..... B65D 47/305  
215/311  
2015/0201775 A1 \* 7/2015 Sorensen ..... A47G 19/2266  
222/482

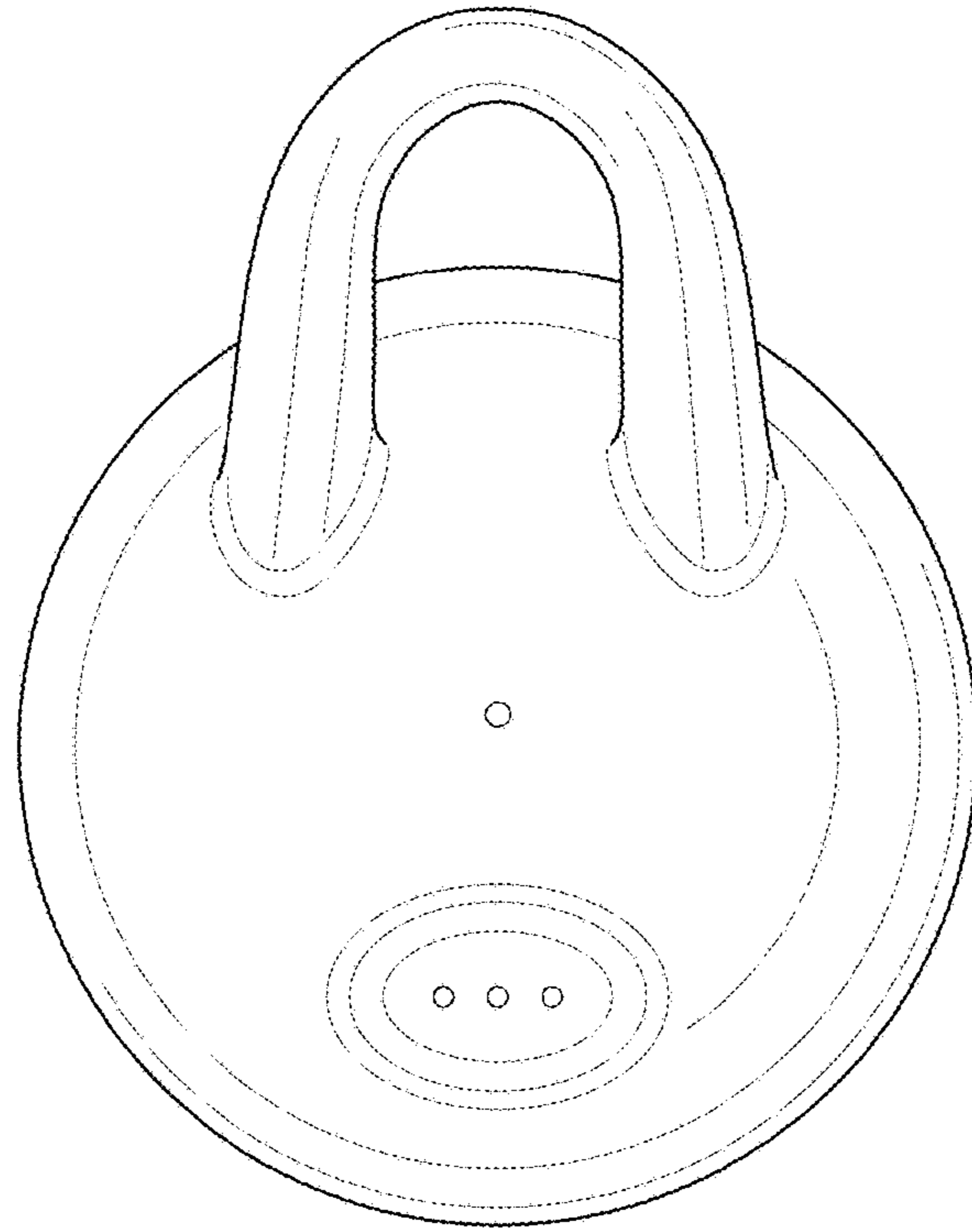
\* cited by examiner



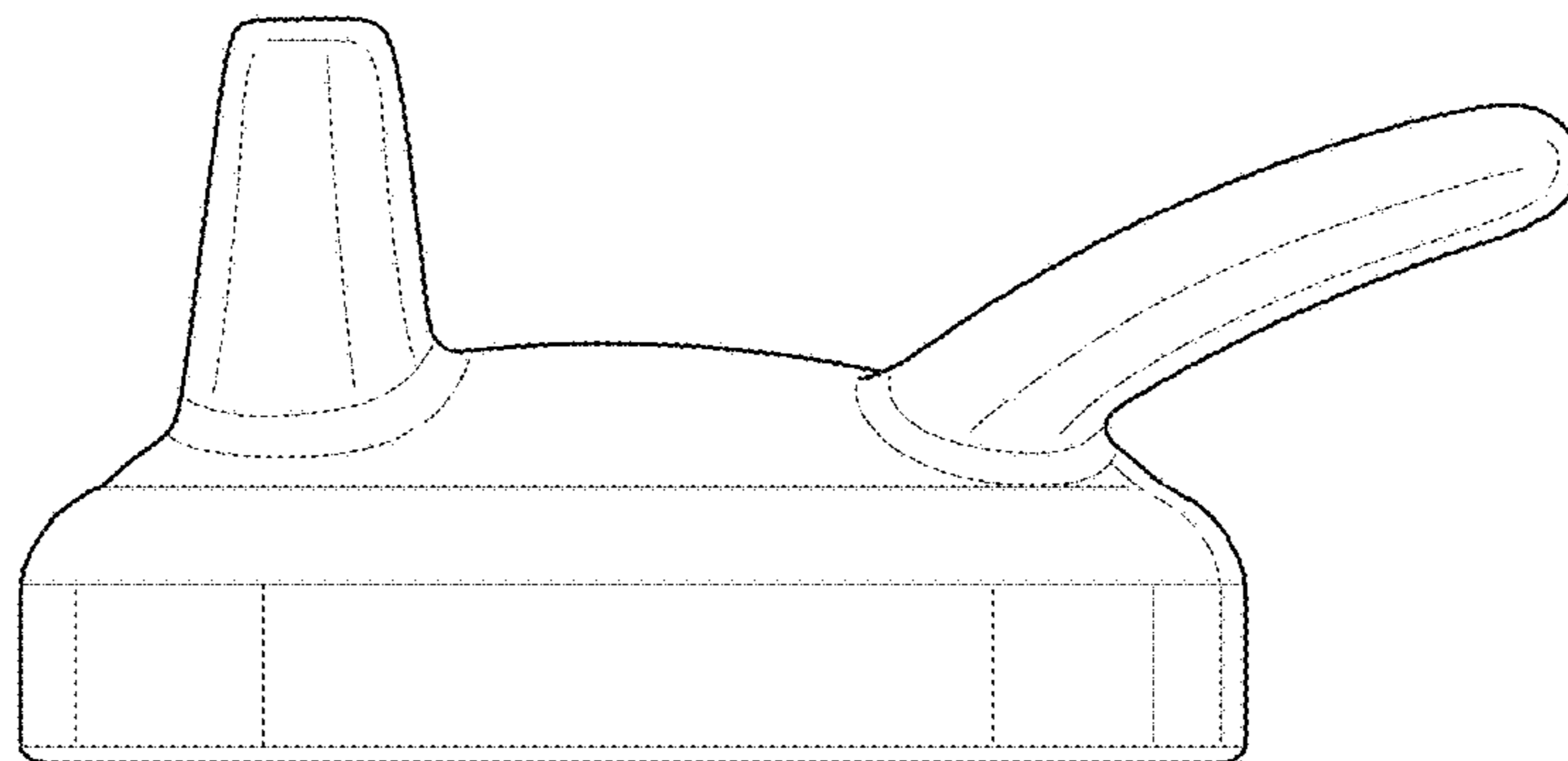
**FIG. 1**



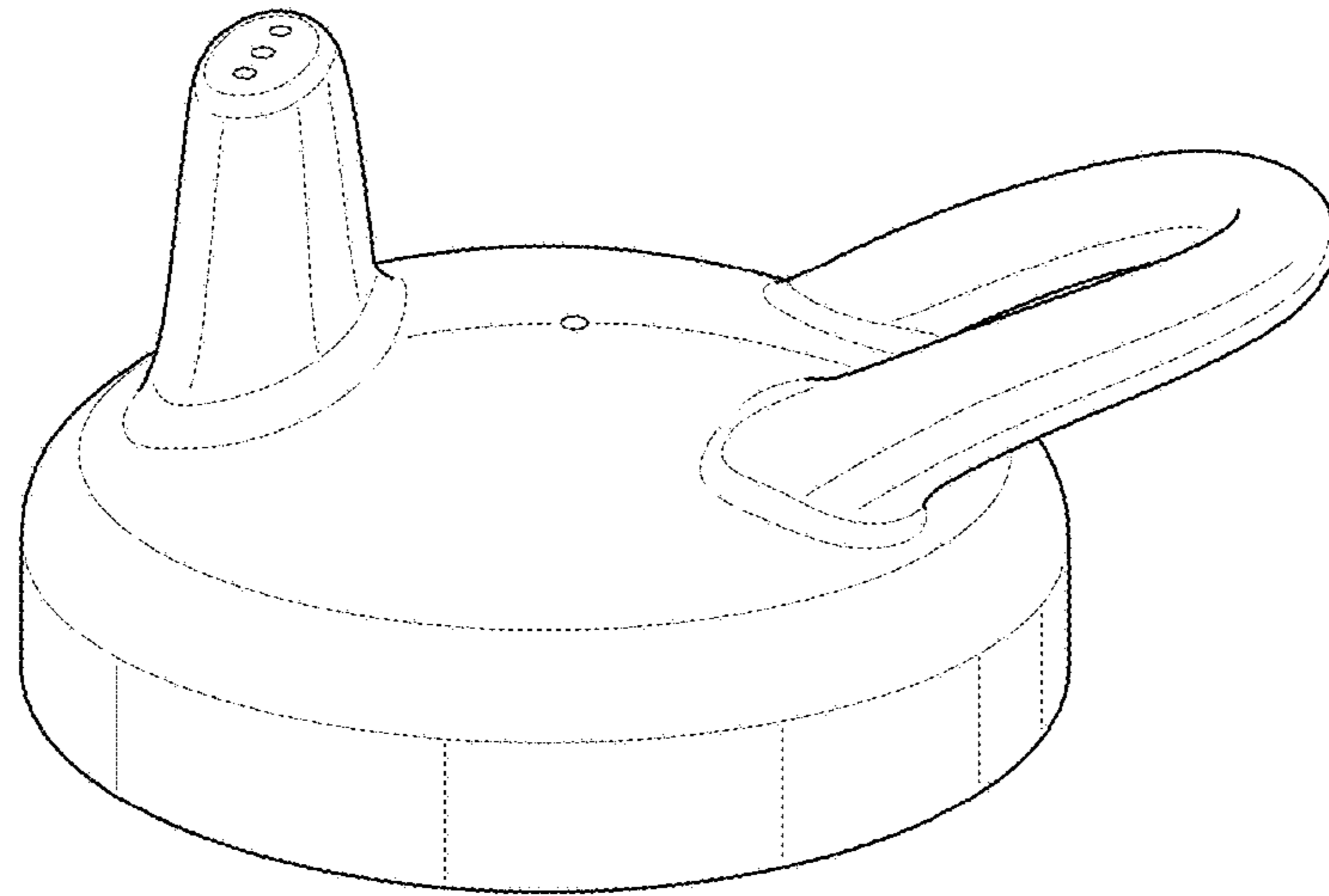
**FIG. 2**



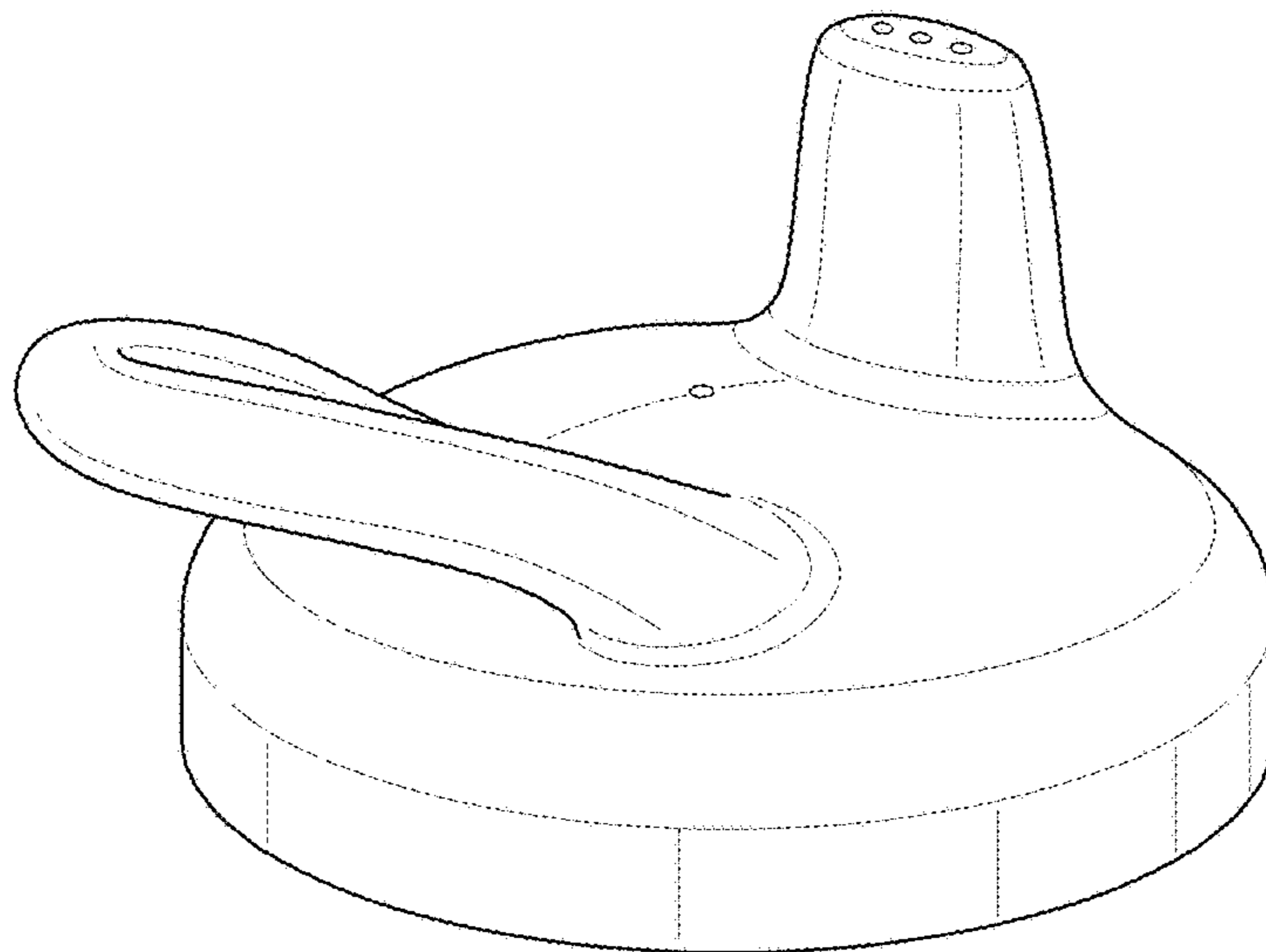
**FIG. 3**



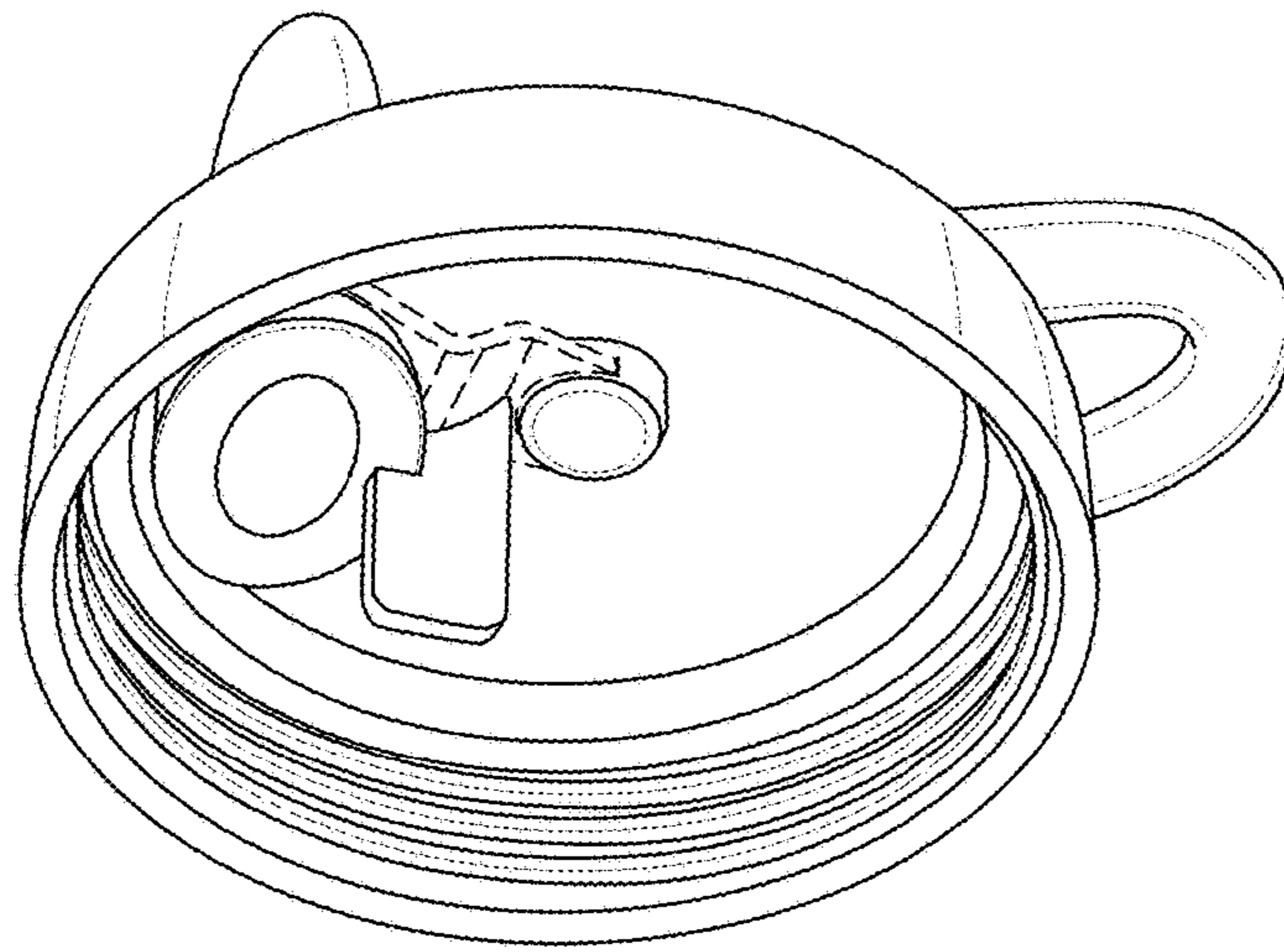
**FIG. 4**



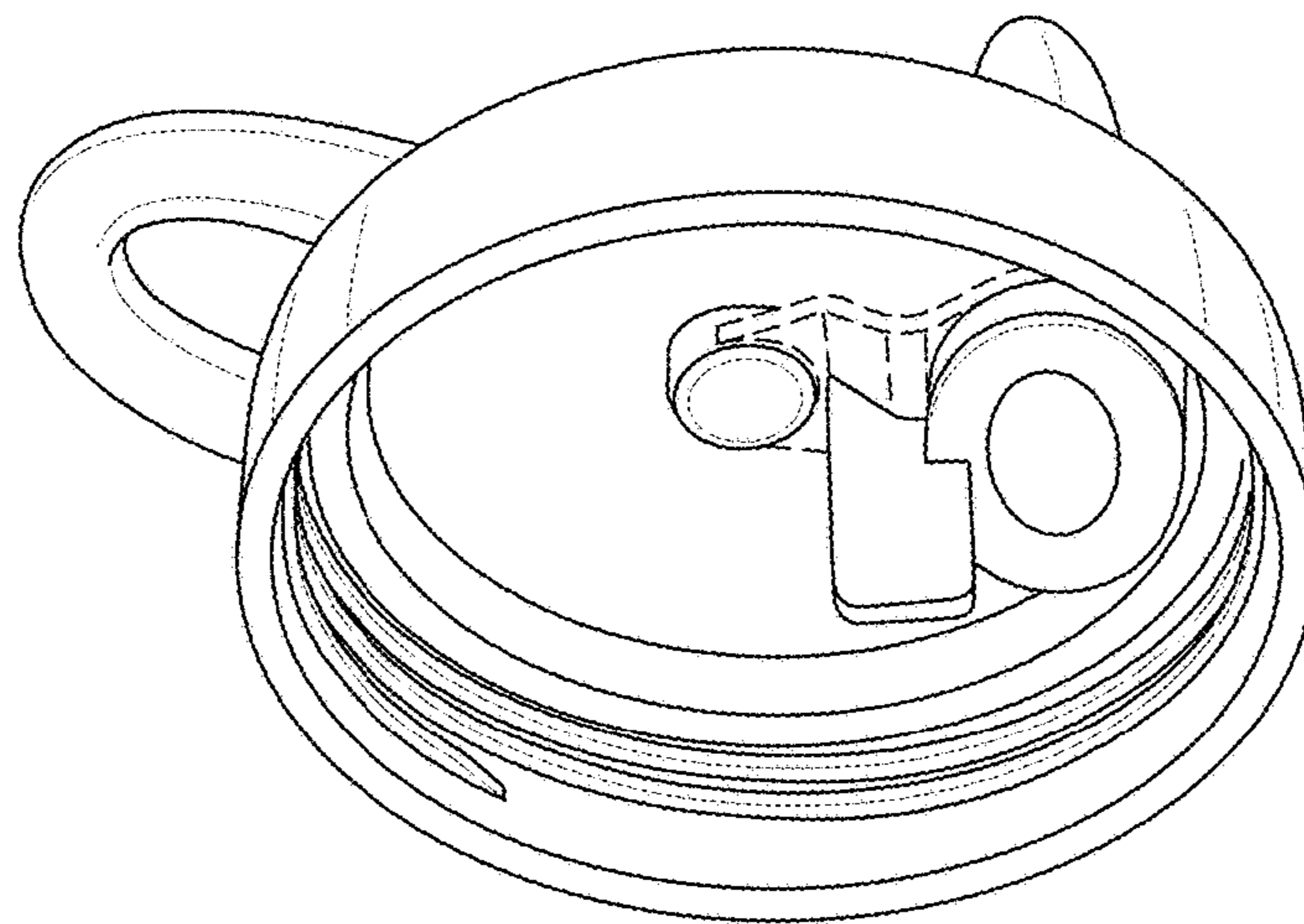
**FIG. 5**



**FIG. 6**



**FIG. 7**



**FIG. 8**