



US00D868531S

(12) **United States Design Patent** (10) **Patent No.:** **US D868,531 S**  
**Wong** (45) **Date of Patent:** **\*\* Dec. 3, 2019**

(54) **FOOD STAND MIXER**  
(71) Applicant: **Conair Corporation**, Stamford, CT (US)  
(72) Inventor: **Chi Ho Kurt Wong**, Yuen Long (HK)  
(73) Assignee: **Conair Corporation**, Stamford, CT (US)  
(\*\*) Term: **15 Years**

D499,604 S \* 12/2004 Hooper ..... D7/376  
D530,146 S \* 10/2006 Ball ..... D7/379  
D584,916 S \* 1/2009 Christou ..... D7/376  
D616,699 S \* 6/2010 Hoare ..... D7/376  
D654,304 S \* 2/2012 Bodum ..... D7/376  
D677,520 S \* 3/2013 Choi ..... D7/376  
8,438,971 B1 \* 5/2013 Thurley ..... A47J 43/044  
366/146  
D728,304 S \* 5/2015 Weaden ..... D7/376  
D818,761 S \* 5/2018 Wang ..... D7/378  
D830,114 S \* 10/2018 Fung ..... D7/379  
2010/0165785 A1 \* 7/2010 Kaas ..... A21C 1/02  
366/325.6

(21) Appl. No.: **29/662,849**  
(22) Filed: **Sep. 10, 2018**  
(51) **LOC (12) Cl.** ..... **31-00**  
(52) **U.S. Cl.**  
USPC ..... **D7/379**  
(58) **Field of Classification Search**  
USPC ..... D7/372, 376-386, 412-413, 602, 629,  
D7/665-666, 669, 679, 693-694  
CPC .... A21C 1/02; A21C 1/04; A23N 1/00; A23N  
1/02; A47J 43/04; A47J 43/25; A47J  
43/27; A47J 43/042; A47J 43/044; A47J  
43/046; A47J 43/075; A47J 43/0722;  
A47J 43/0727; B01F 3/00; B01F 3/0807;  
B01F 3/0853; B01F 13/0059; B01F  
13/0064; B02C 1/08; B02C 2/04; B02C  
4/42; B02C 4/142; B02C 4/143; B02C  
4/423; B02C 13/1835; B28C 5/10; B28C  
5/12; B28C 5/14; B28C 5/16  
See application file for complete search history.

\* cited by examiner

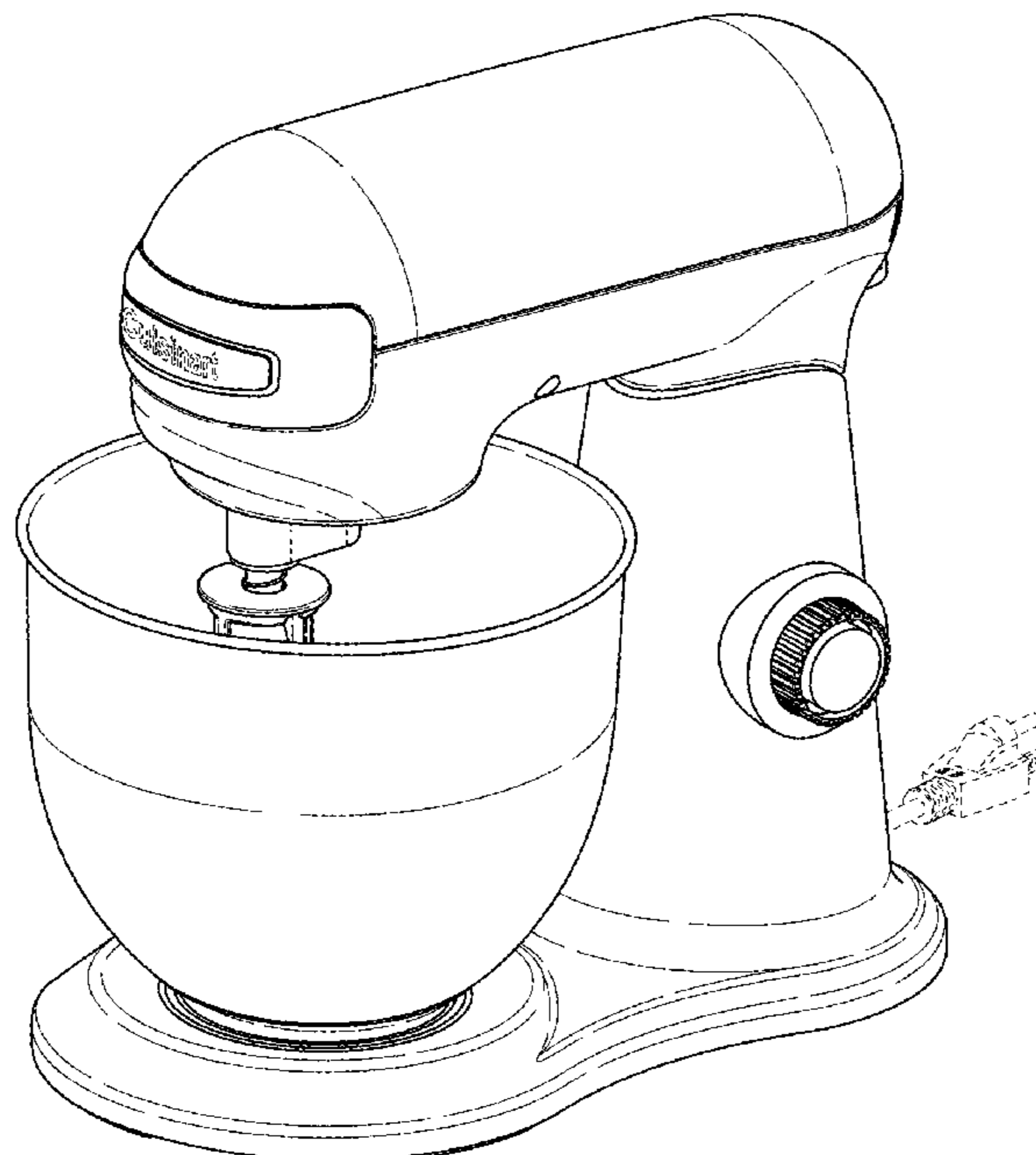
*Primary Examiner* — Ricky Pham  
(74) *Attorney, Agent, or Firm* — McCormick, Paulding & Huber LLP

(56) **References Cited**  
U.S. PATENT DOCUMENTS  
D116,747 S \* 9/1939 Meeker et al. .... D7/379  
D400,759 S \* 11/1998 Doggett ..... D7/379

(57) **CLAIM**  
The ornamental design for a food stand mixer, substantially as shown and described.

**DESCRIPTION**  
FIG. 1 is a front, top and left side perspective view of a food stand mixer, comprising a new, original and ornamental design;  
FIG. 2 is a front view thereof;  
FIG. 3 is a rear view thereof;  
FIG. 4 is a left view thereof;  
FIG. 5 is a right view thereof;  
FIG. 6 is a top view thereof; and,  
FIG. 7 is a bottom view thereof.  
The broken lines depict portions of the food stand mixer that form no part of the claimed design.

**1 Claim, 4 Drawing Sheets**



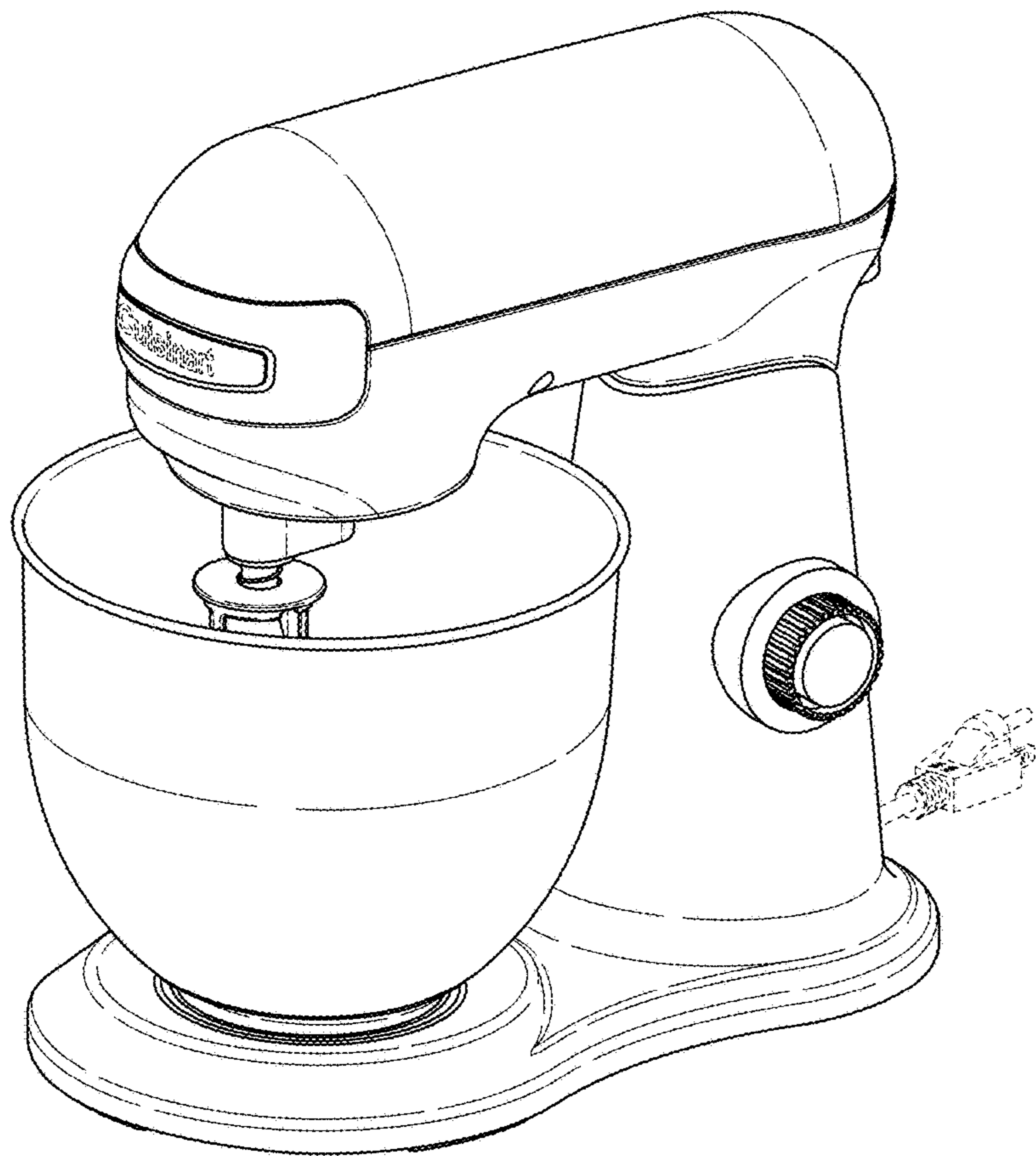


FIG. 1

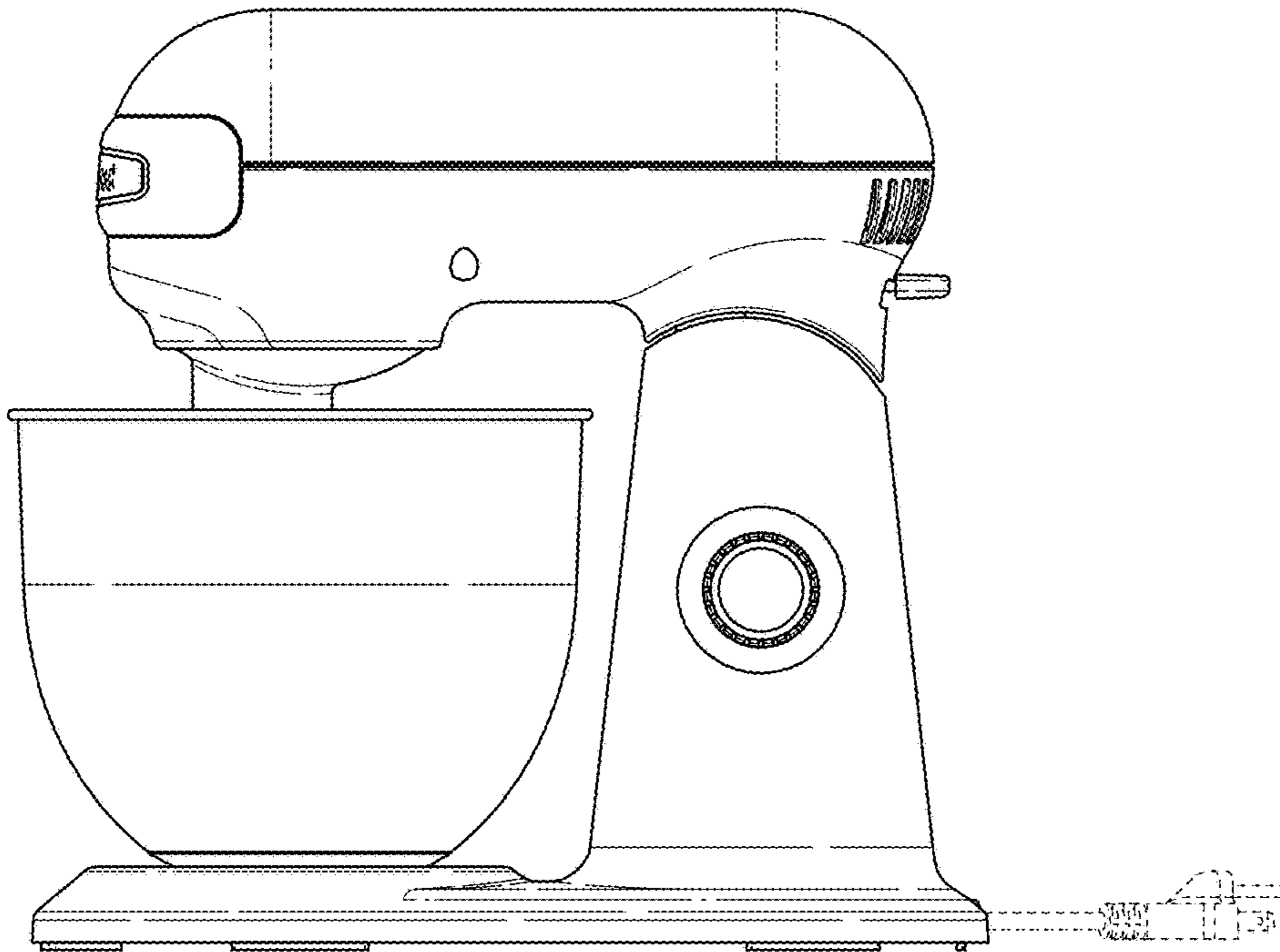


FIG. 2

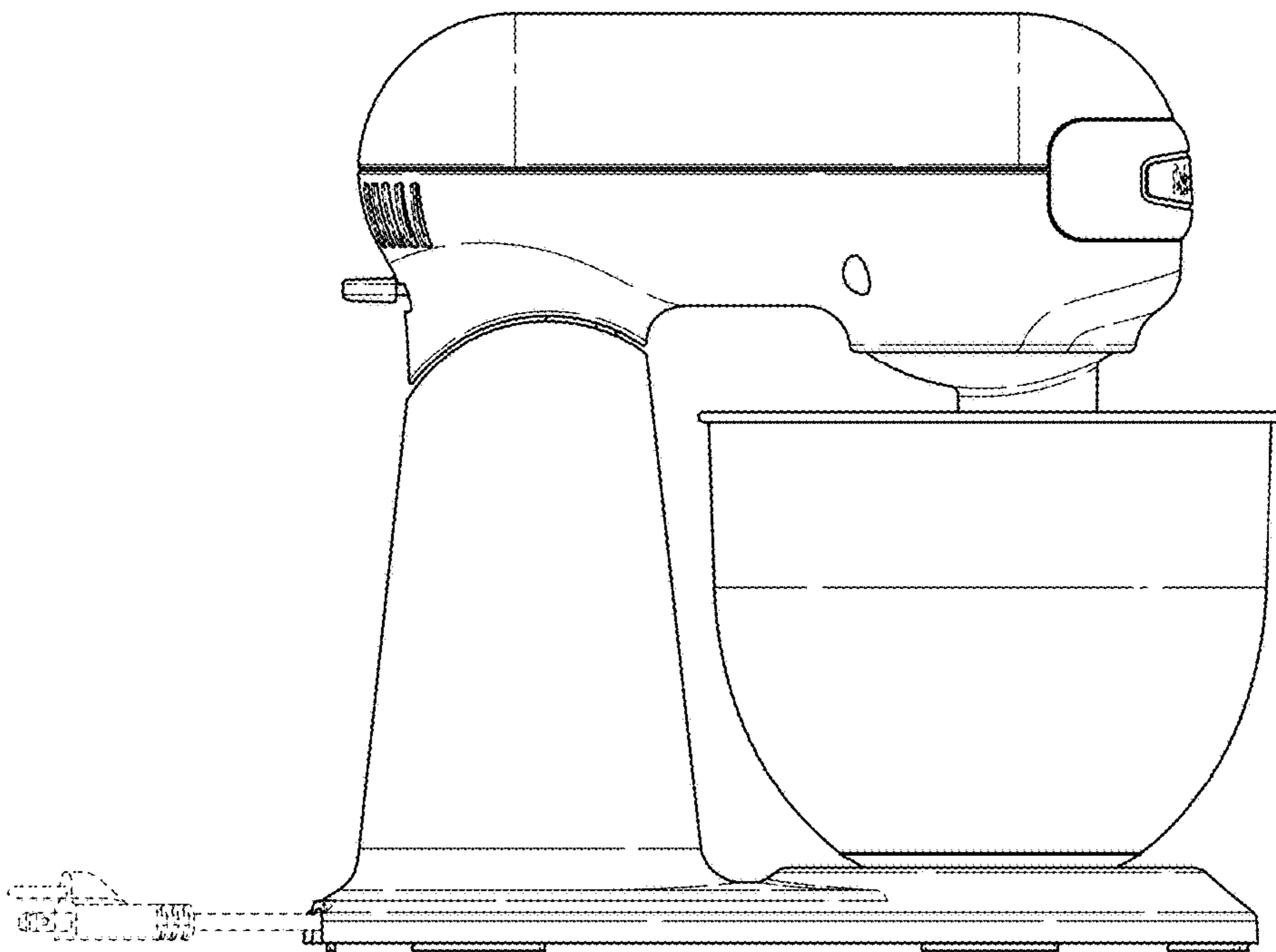


FIG. 3

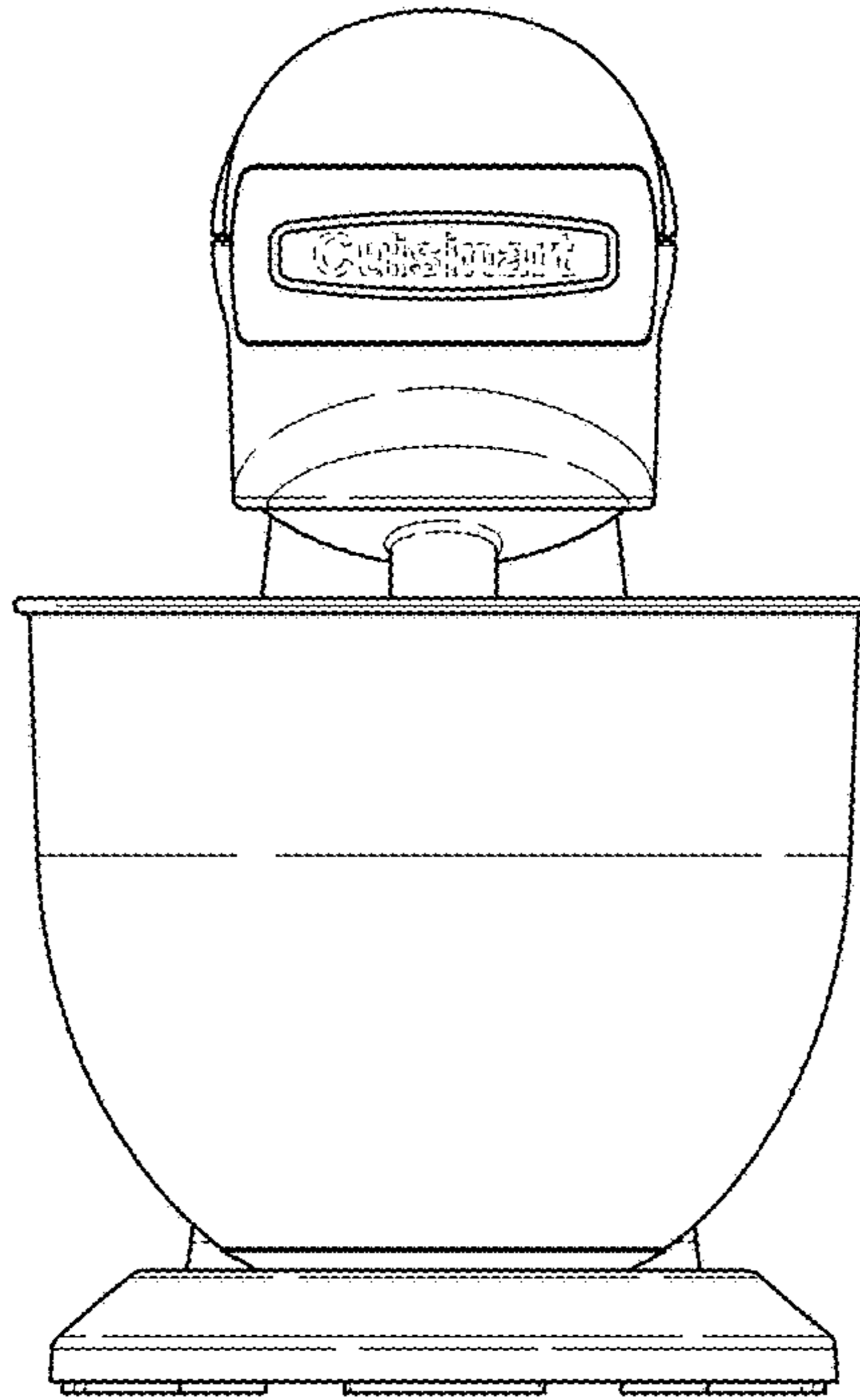


FIG. 4

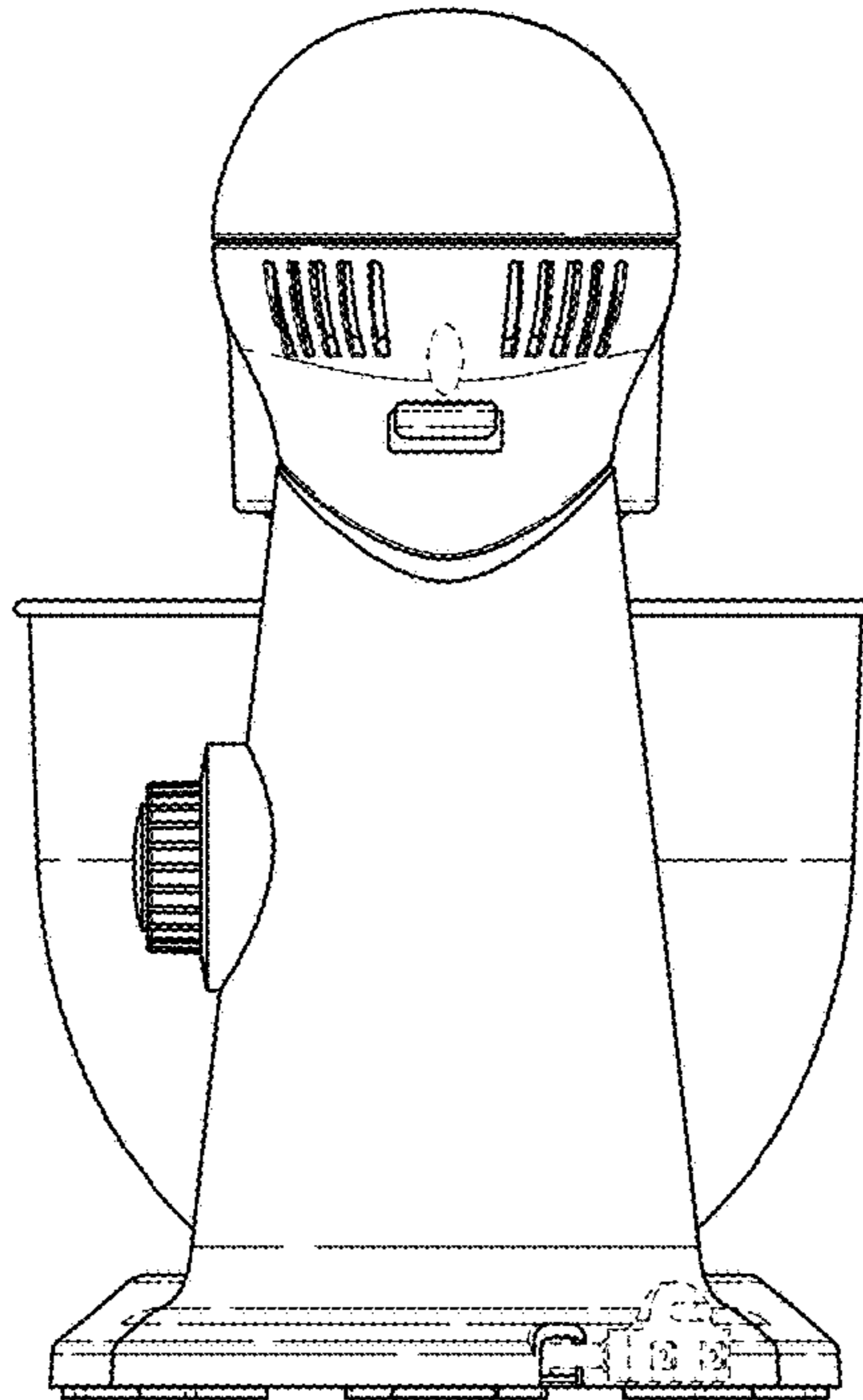


FIG. 5

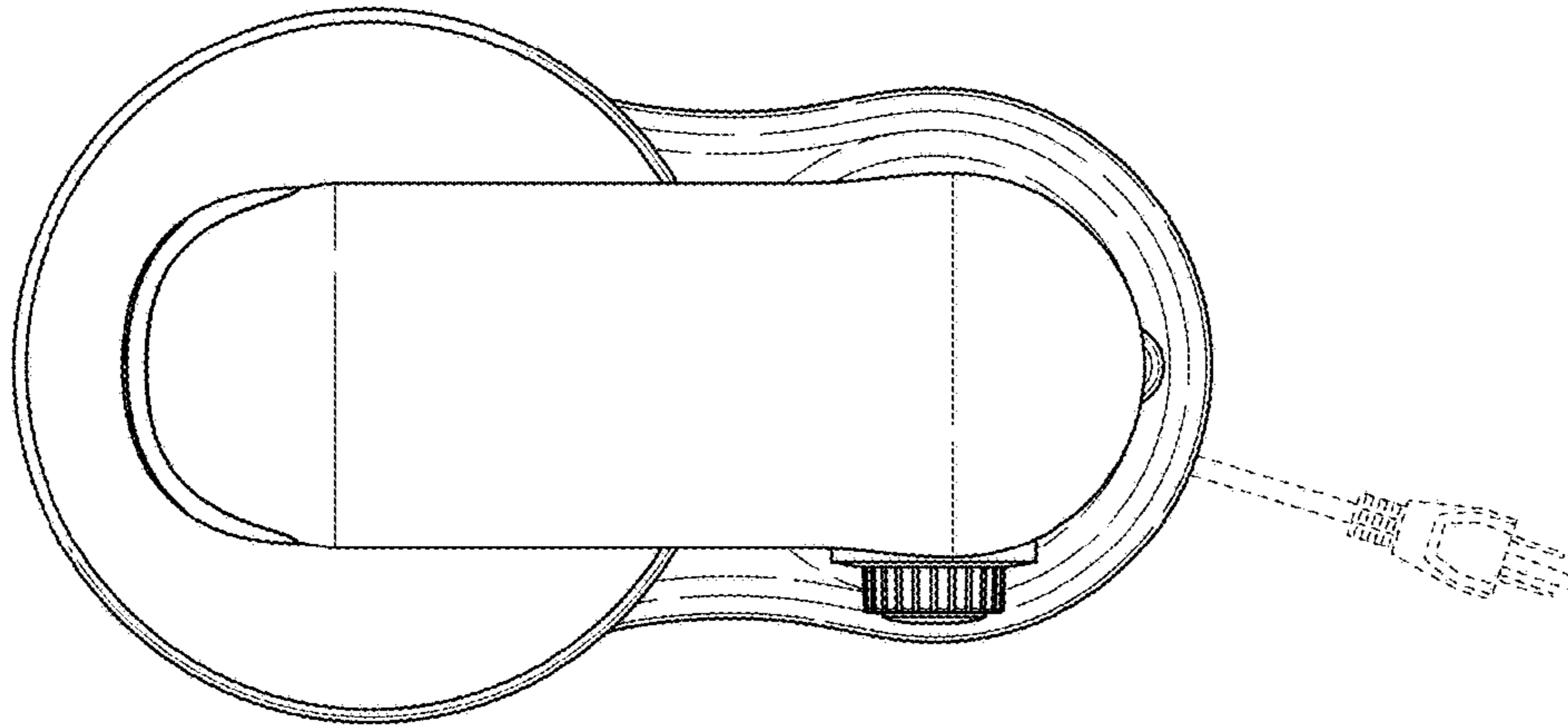


FIG. 6

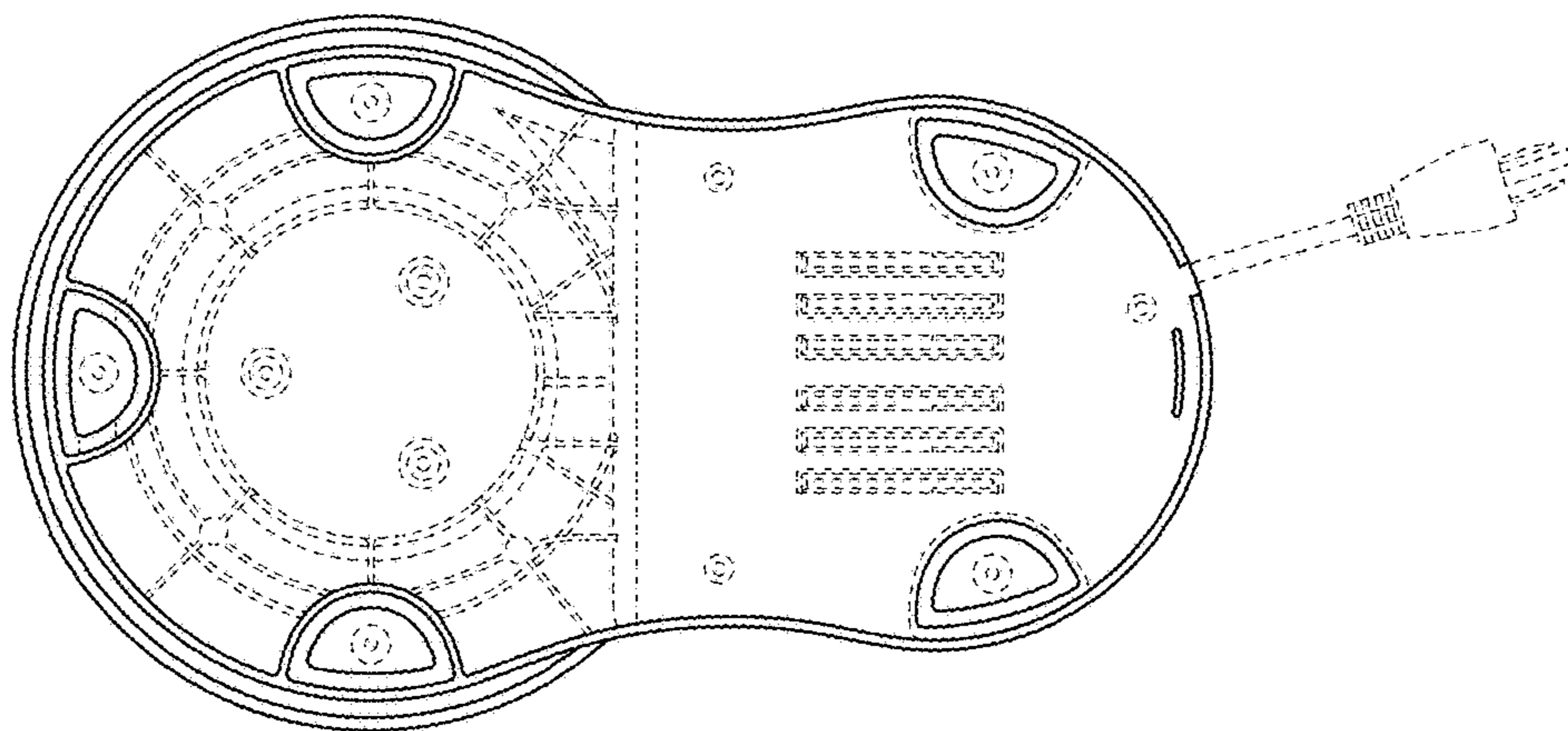


FIG. 7