



US00D868528S

(12) **United States Design Patent** (10) **Patent No.:** **US D868,528 S**
Naito (45) **Date of Patent:** **** Dec. 3, 2019**

(54) **ELECTRIC POT**
(71) Applicant: **ZOJIRUSHI CORPORATION**,
Osaka-shi (JP)

D598,701 S * 8/2009 Okajima D7/358
D722,463 S * 2/2015 Manly D7/306
D736,481 S * 8/2015 Cornwell D30/122
D747,047 S * 1/2016 Cornwell D30/122
D807,107 S * 1/2018 Garman D7/354
D851,796 S * 6/2019 Quinn D26/40

(72) Inventor: **Ayaka Naito**, Ibaraki (JP)
(73) Assignee: **ZOJIRUSHI CORPORATION** (JP)
(**) Term: **15 Years**

FOREIGN PATENT DOCUMENTS

JP D1196657 S 2/2004
JP D1196658 S 2/2004
JP D1196659 S 2/2004
JP D1255657 S 11/2005

(Continued)

(21) Appl. No.: **29/658,858**
(22) Filed: **Aug. 3, 2018**

OTHER PUBLICATIONS

(30) **Foreign Application Priority Data**
Feb. 14, 2018 (JP) 2018-003014

Zojirushi, "Zojirushi Nichijou Seikatsu Hassou", Zojirushi general catalog 2010 No. 104, p. 18, published in the National Center for Industrial Property Information and Training on Jan. 21, 2011.

(51) **LOC (12) Cl.** **07-02**
(52) **U.S. Cl.**
USPC **D7/354**

Primary Examiner — Ricky Pham
(74) *Attorney, Agent, or Firm* — Saidman DesignLaw Group, LLC

(58) **Field of Classification Search**
USPC D7/306, 312-313, 323, 354-361;
D30/122; D26/40
CPC .. A47J 27/00; A47J 27/04; A47J 27/05; A47J
27/08; A47J 27/09; A47J 27/10; A47J
27/092; A47J 36/025; A47J 36/06; A47J
36/08; A47J 36/10; A47J 36/12; A47J
36/20; A47J 37/12; A47J 37/1204; A47J
37/1209; H05B 6/02; H05B 6/06; H05B
6/12

(57) **CLAIM**

The ornamental design for an electric pot, as shown and described.

See application file for complete search history.

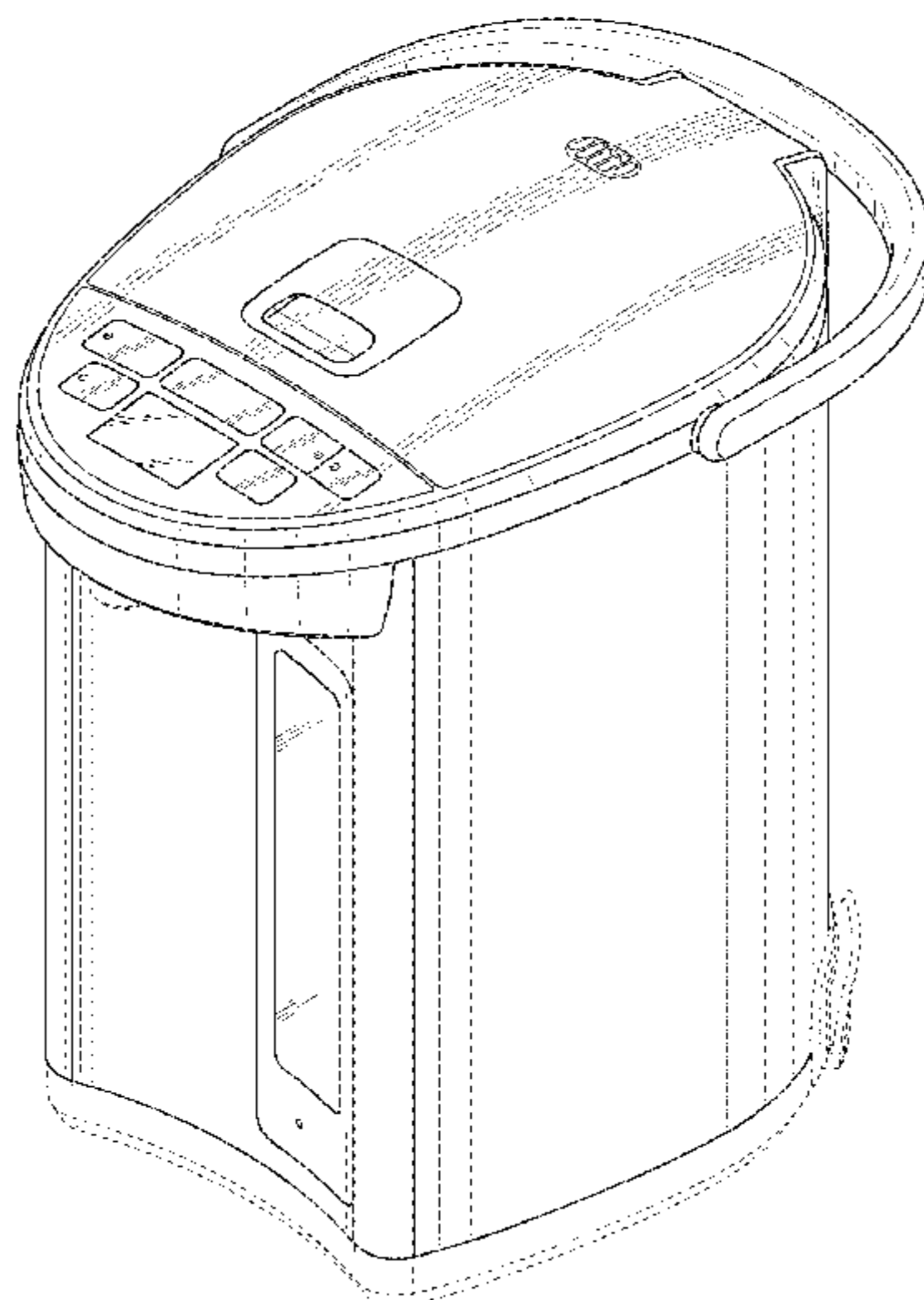
DESCRIPTION

(56) **References Cited**
U.S. PATENT DOCUMENTS

FIG. 1 is a perspective view of an electric pot showing my new design;
FIG. 2 is a front elevational view thereof;
FIG. 3 is a rear elevational view thereof;
FIG. 4 is a left side view thereof;
FIG. 5 is a right side view thereof;
FIG. 6 is a top plan view thereof; and,
FIG. 7 is a bottom plan view thereof.
The dashed broken lines in the figures show portions of the electric pot that form no part of the claimed design.

D338,366 S * 8/1993 Ueda D7/312
D463,192 S * 9/2002 Uneo D7/300
D487,376 S * 3/2004 Uneo D7/300
D522,794 S * 6/2006 Imai D7/306
D541,572 S * 5/2007 Watanabe D7/306
D555,970 S * 11/2007 Schreitmuller D7/312

1 Claim, 7 Drawing Sheets



(56)

References Cited

FOREIGN PATENT DOCUMENTS

JP	D1261971 S	2/2006
JP	D1261972 S	2/2006
JP	D1291236 S	1/2007
JP	D1292733 S	2/2007
JP	D1292734 S	2/2007
JP	D1345249 S	12/2008
JP	D1362229 S	6/2009
JP	D1368822 S	9/2009
JP	D1369132 S	9/2009
JP	D1538150 S	11/2015

* cited by examiner

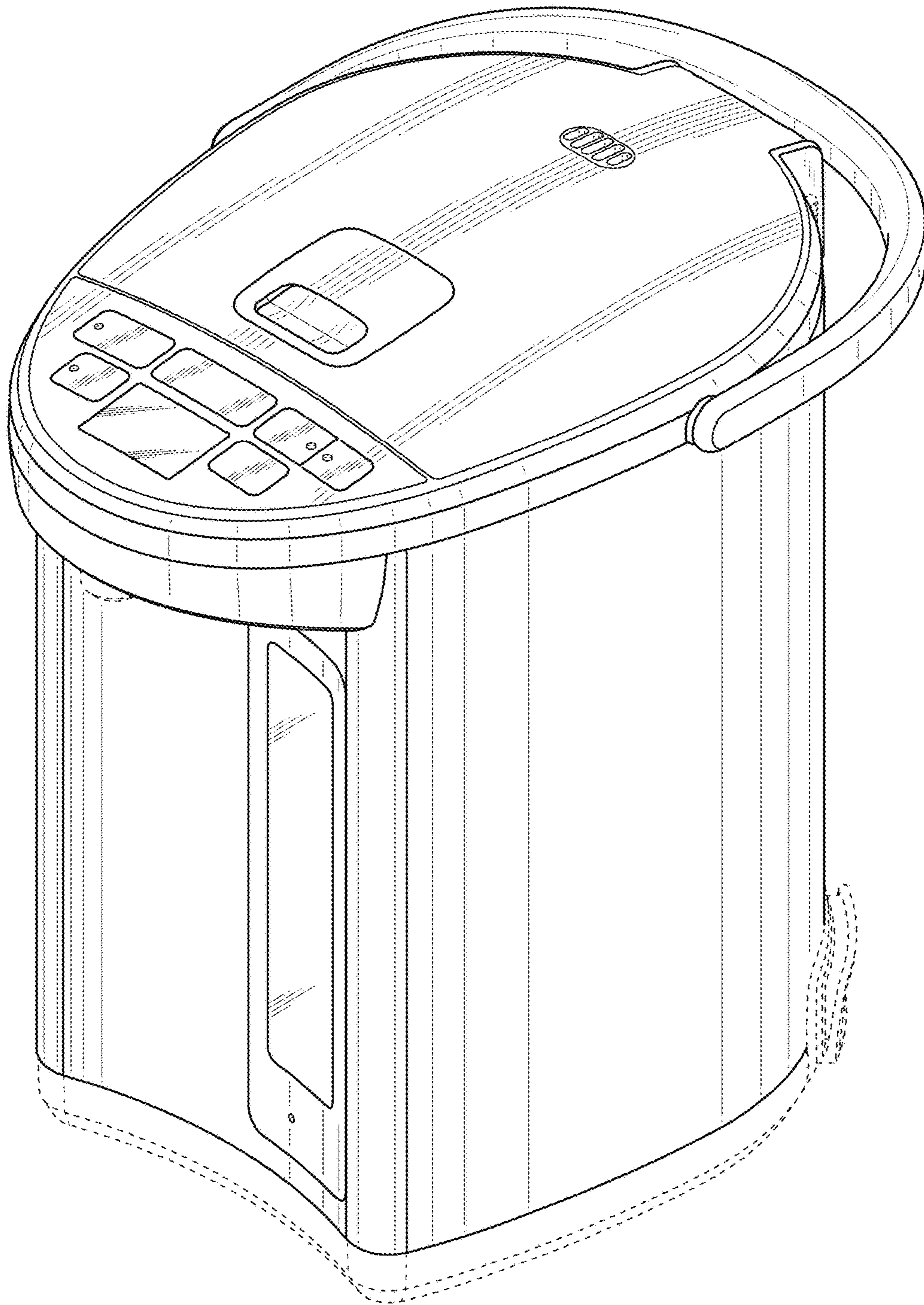


FIG. 1

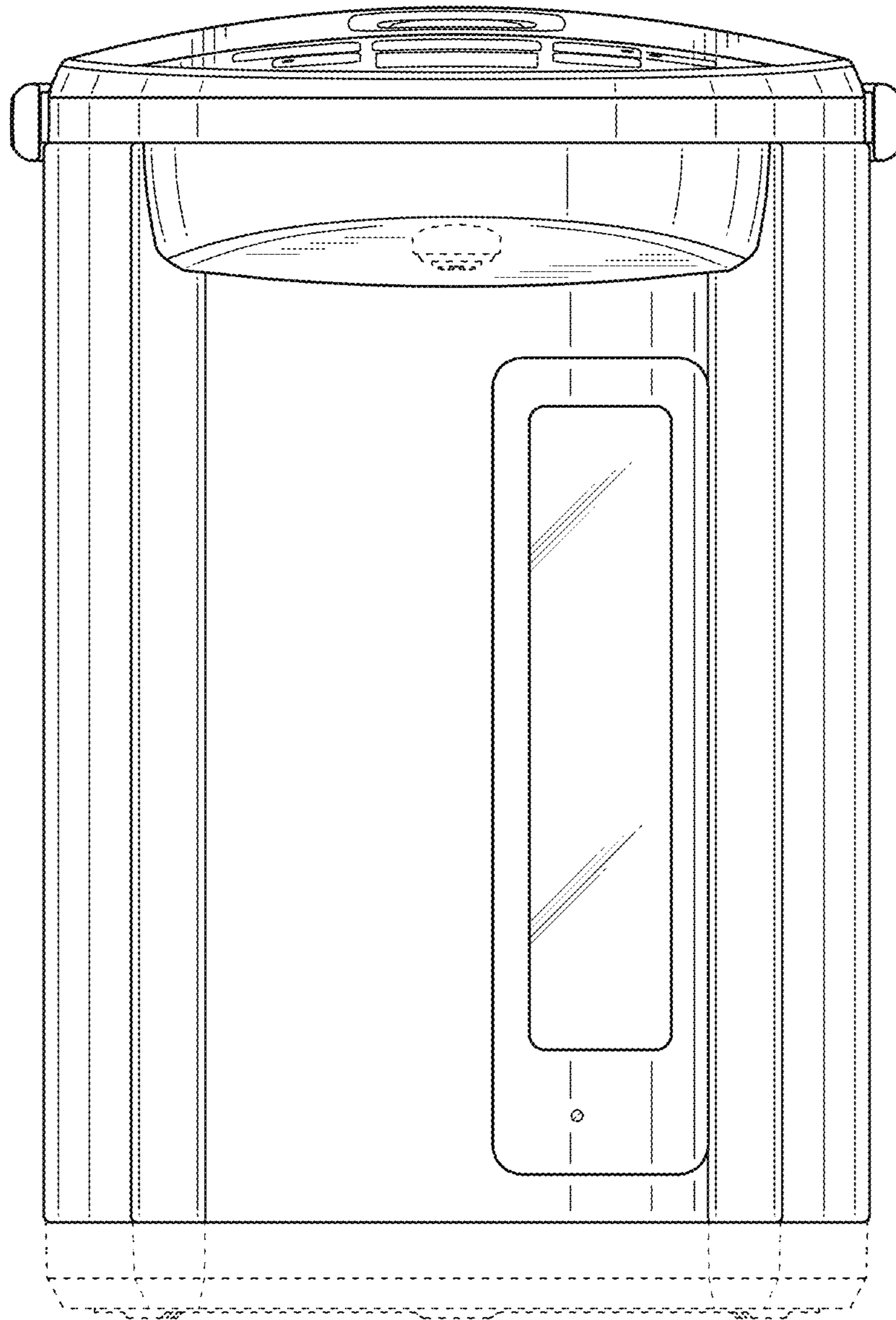


FIG. 2

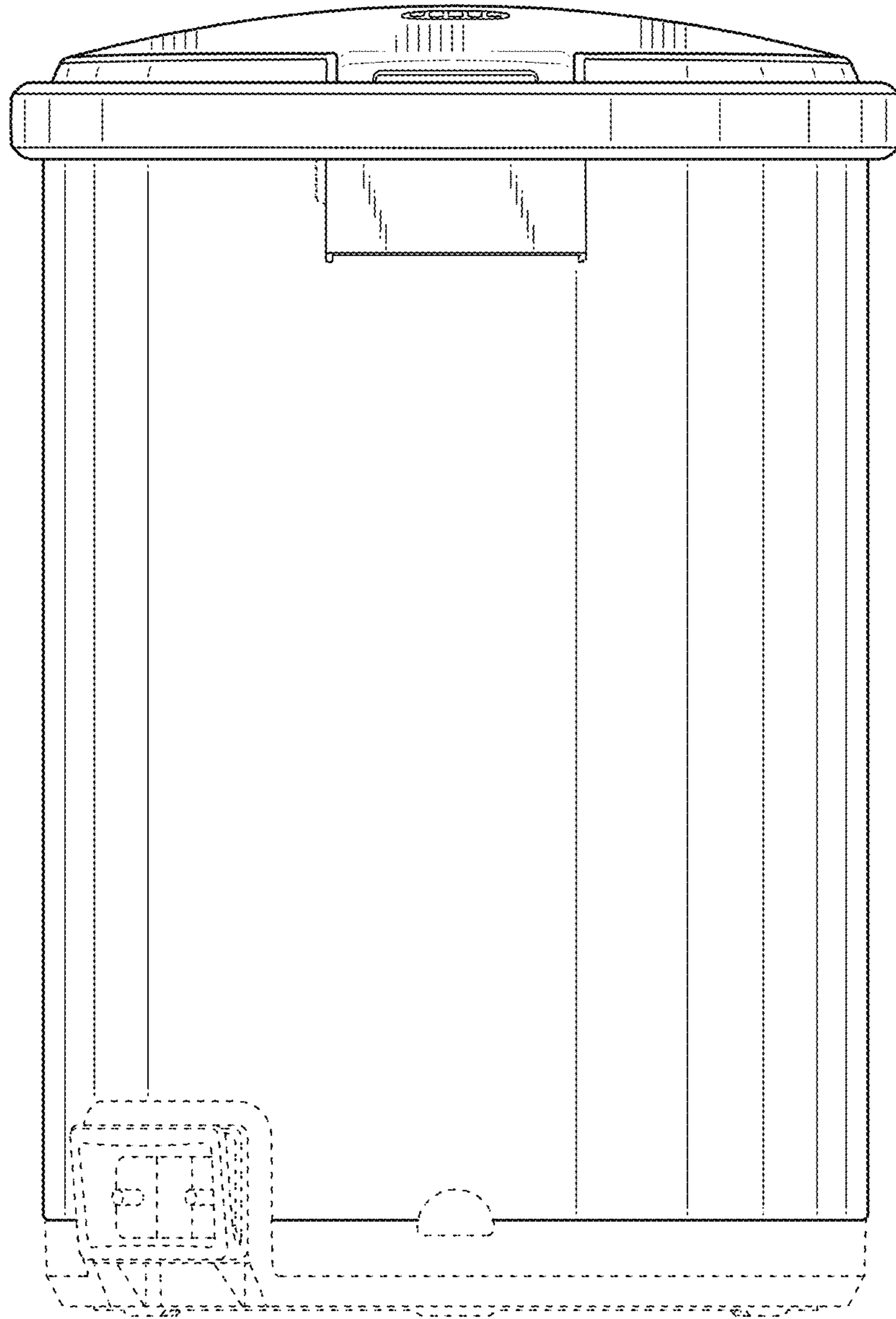


FIG. 3

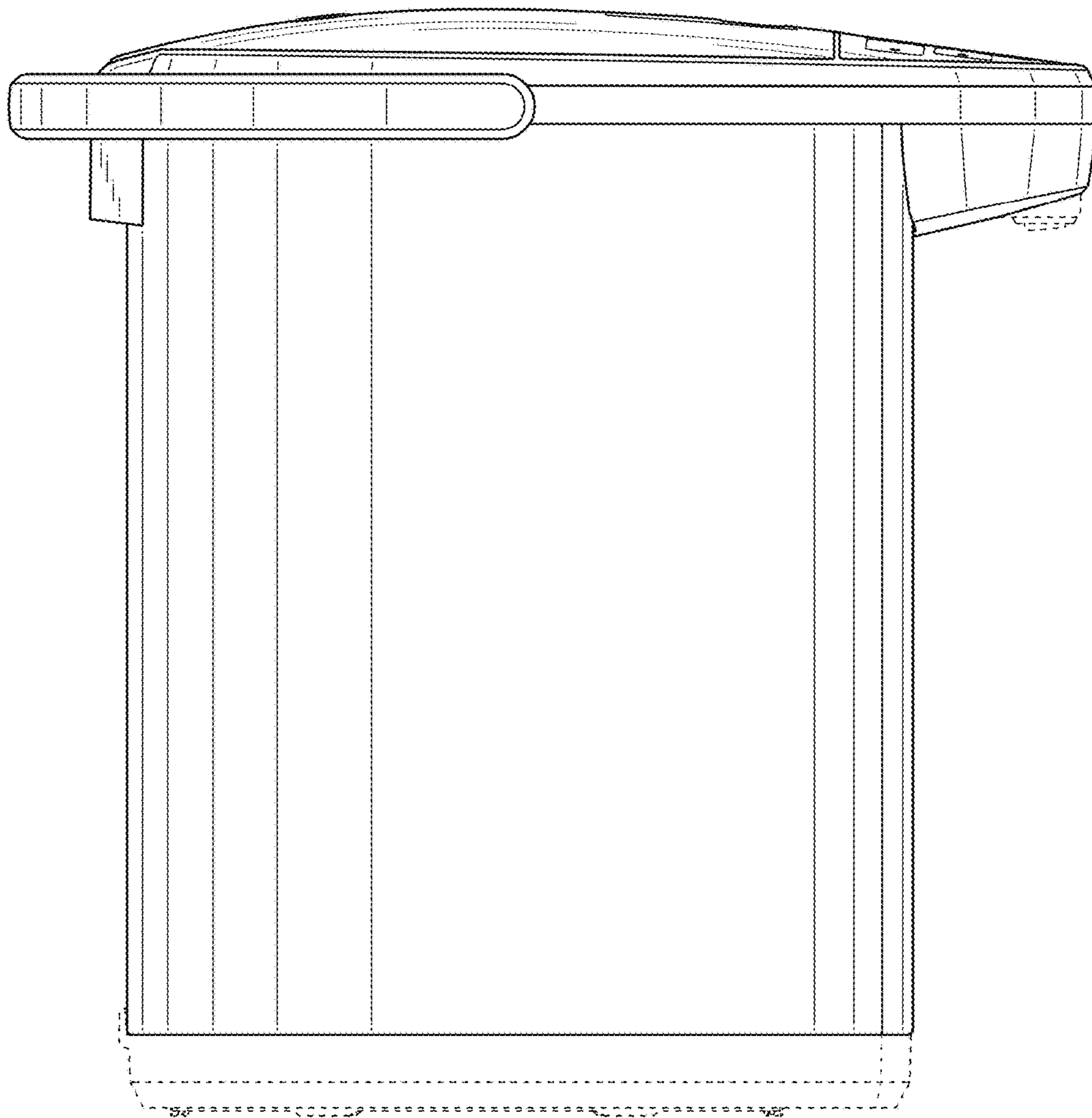


FIG. 4

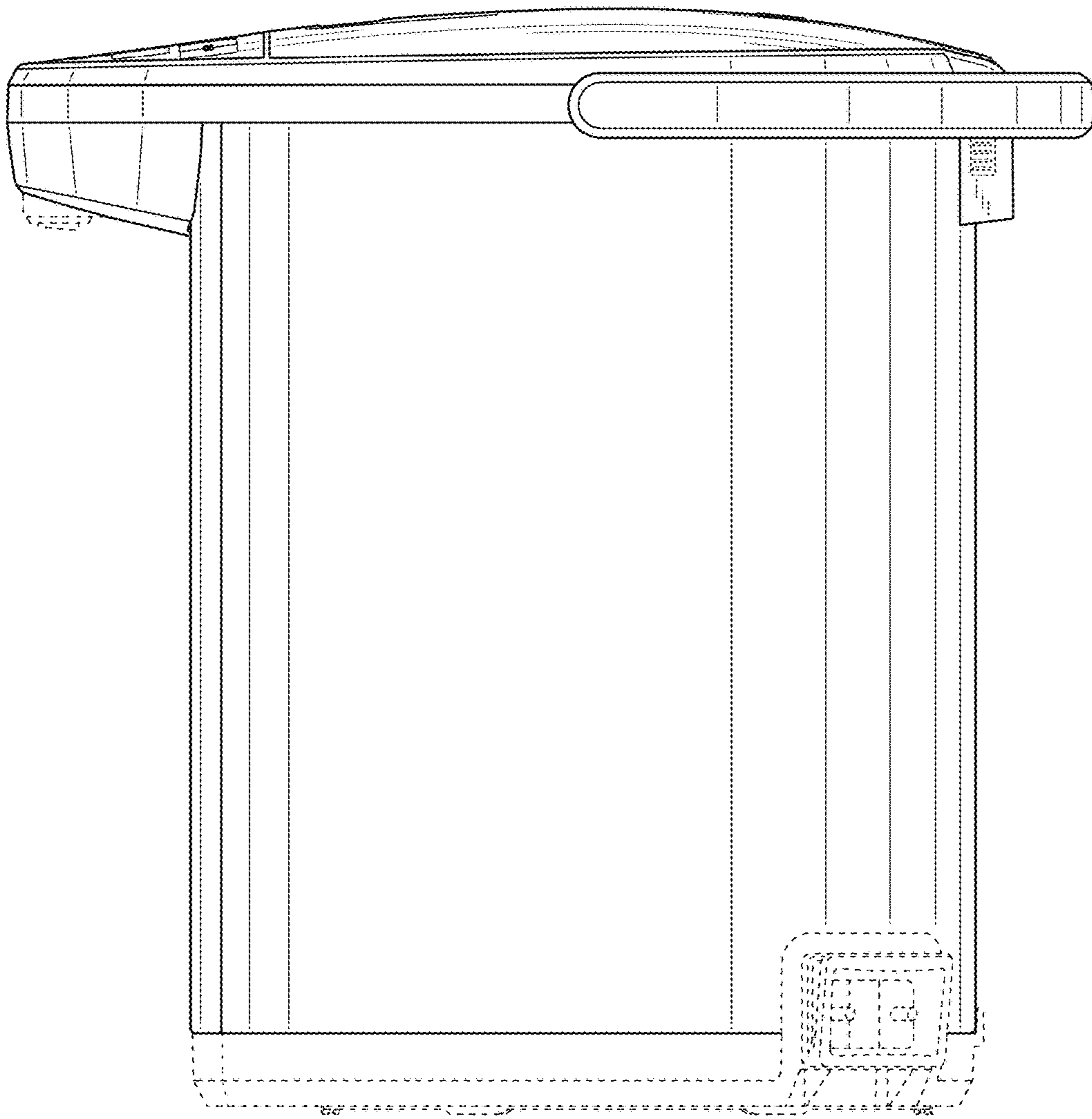


FIG. 5

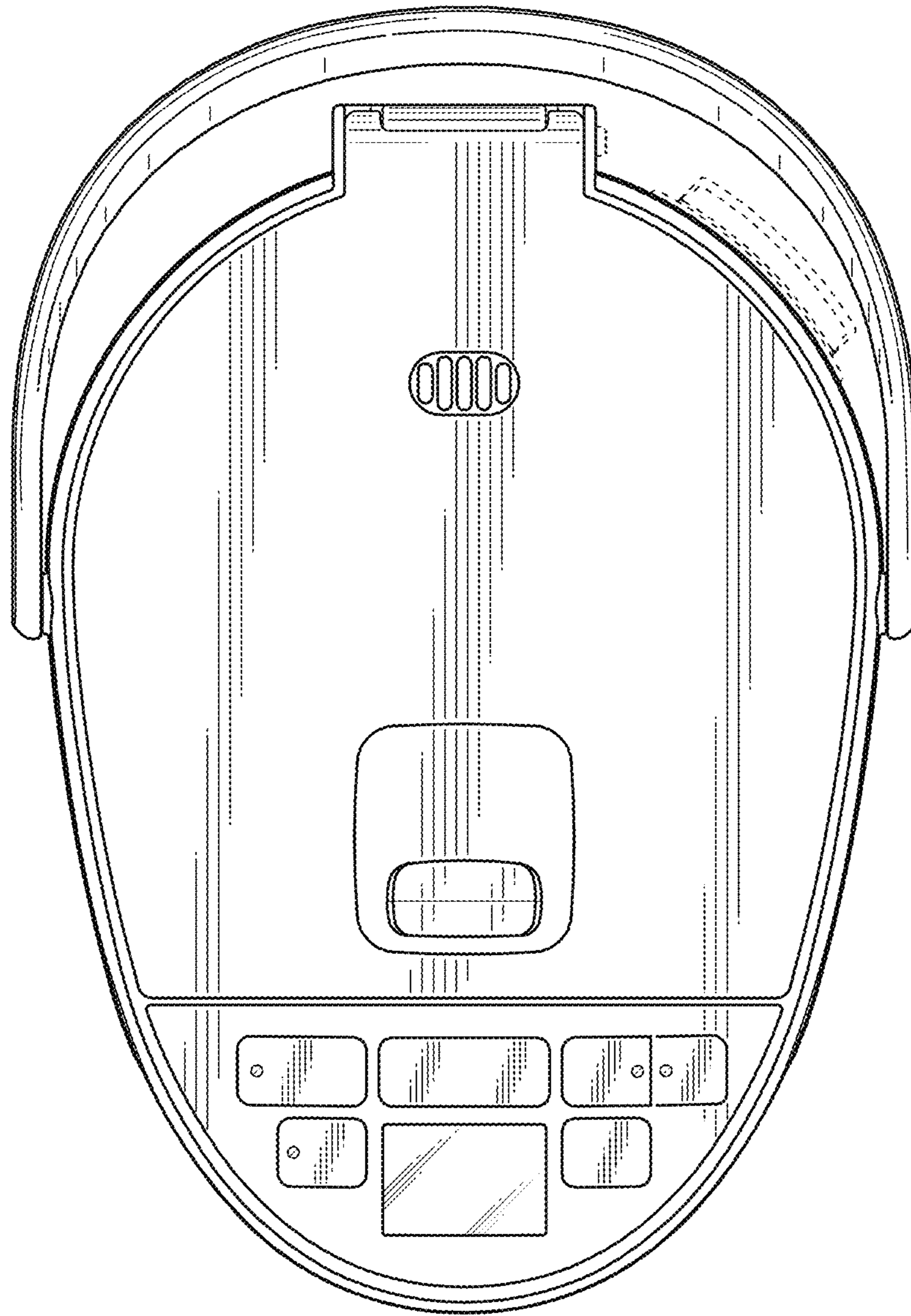


FIG. 6

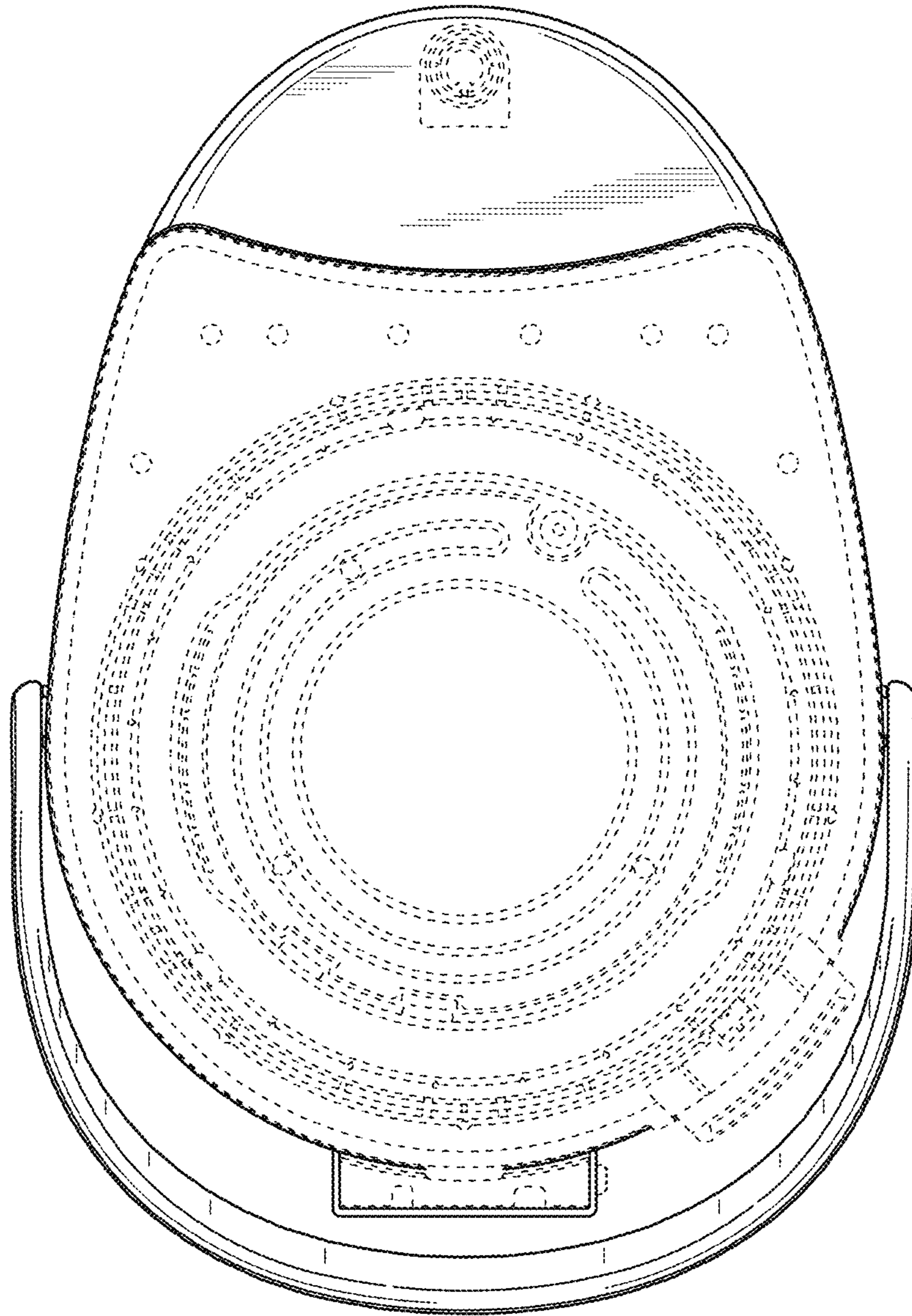


FIG. 7