



US00D868527S

(12) **United States Design Patent** (10) **Patent No.:** **US D868,527 S**  
**Bertoli** (45) **Date of Patent:** **\*\* Dec. 3, 2019**

(54) **GAS COOKER**

(56) **References Cited**

(71) Applicant: **I.L.V.E. S.P.A. INDUSTRIA  
LAVORAZIONE VENETA  
ELETTRODOMESTICI S.P.A.,  
Campodarsego (PD) (IT)**

(72) Inventor: **Lukasz Bertoli, Vittorio Veneto (IT)**

(73) Assignee: **I.L.V.E. S.P.A. INDUSTRIA  
LAVORAZIONE VENETA  
ELETTRODOMESTICI S.P.A.,  
Campodarsego (PD) (IT)**

(\*\*) Term: **15 Years**

(21) Appl. No.: **29/654,777**

(22) Filed: **Jun. 27, 2018**

(30) **Foreign Application Priority Data**

Dec. 27, 2017 (EM) ..... 004564888-0004  
Dec. 27, 2017 (EM) ..... 004564888-0006

(51) **LOC (12) Cl.** ..... **07-02**

(52) **U.S. Cl.**  
USPC ..... **D7/340**

(58) **Field of Classification Search**  
USPC ..... D7/323, 328–330, 339–349, 390,  
D7/402–406; D8/300–306  
CPC ... A21B 2/00; A47J 37/00; A47J 37/06; A47J  
37/0611; A47J 37/08; A47J 37/0807;  
A47J 37/0814; A47J 37/0835; A47J  
37/0842; A47J 37/085; A47J 37/0864;  
A47J 37/0878; A47J 37/0885; A47J  
37/0892; A47J 37/10; F24C 7/00; F24C  
7/002; F24C 7/046; F24C 7/067; F24C  
15/02; F24C 15/04; F24C 15/10; F24C  
15/102

See application file for complete search history.

U.S. PATENT DOCUMENTS

D475,569	S	*	6/2003	Nichols	.....	D7/340
D486,034	S	*	2/2004	Nichols	.....	D7/346
D524,094	S	*	7/2006	Home	.....	D7/340
D615,800	S	*	5/2010	Grey	.....	D7/340
D656,776	S	*	4/2012	Funnell, II	.....	D7/340
D669,728	S	*	10/2012	Funnell, II	.....	D7/340
9,072,403	B2	*	7/2015	Braden	.....	A47J 37/10
D798,100	S	*	9/2017	Chavez	.....	D7/340
D808,705	S	*	1/2018	Kim	.....	A47J 37/10
						D7/340
D817,690	S	*	5/2018	Kim	.....	D7/346
D818,303	S	*	5/2018	Kim	.....	D7/340
D825,249	S	*	8/2018	Kang	.....	D7/340
D831,423	S	*	10/2018	Chavez	.....	D7/405

\* cited by examiner

*Primary Examiner* — Ricky Pham

(74) *Attorney, Agent, or Firm* — Oliff PLC

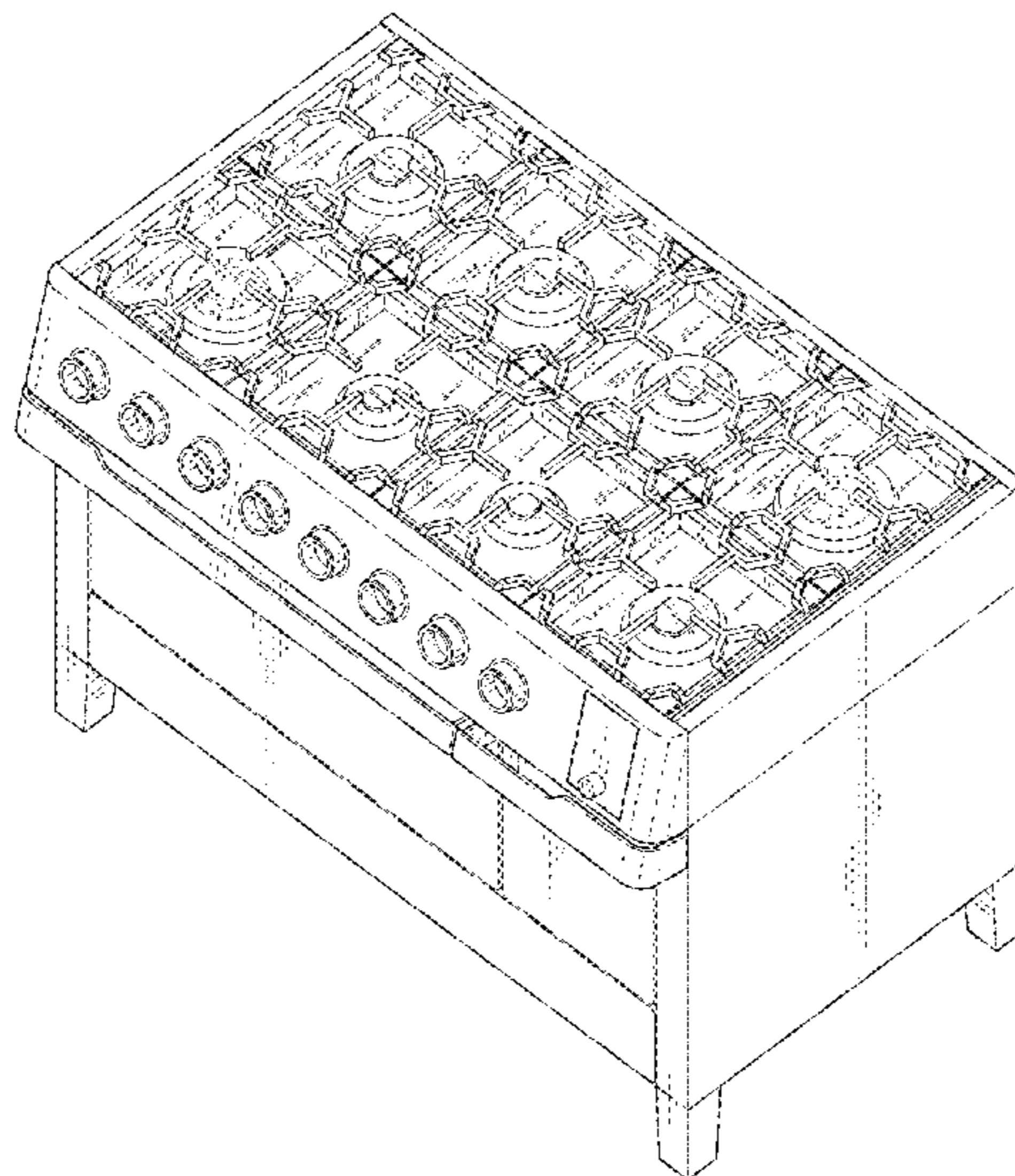
(57) **CLAIM**

The ornamental design for a gas cooker, as shown and described.

**DESCRIPTION**

FIG. 1 is a front, top, right-side perspective view of the gas cooker;  
FIG. 2 is a rear, top, left-side perspective view thereof;  
FIG. 3 is a front elevational view thereof;  
FIG. 4 is a right-side elevational view thereof;  
FIG. 5 is a rear elevational view thereof;  
FIG. 6 is a left-side elevational view thereof;  
FIG. 7 is a top plan view thereof; and,  
FIG. 8 is a bottom plan view thereof.  
The broken lines depict parts of the gas cooker that form no part of the claimed design.

**1 Claim, 5 Drawing Sheets**



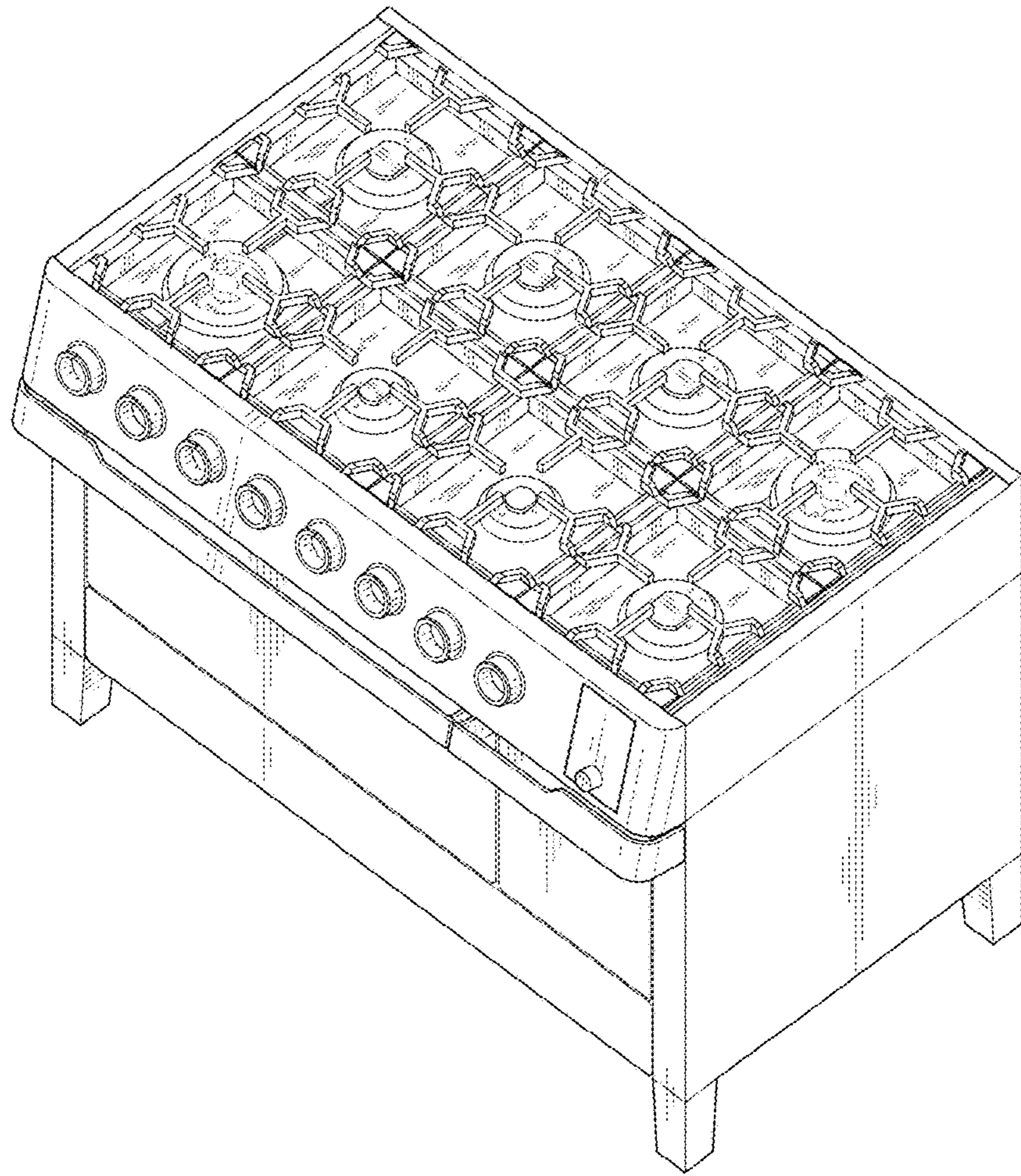


FIG. 1

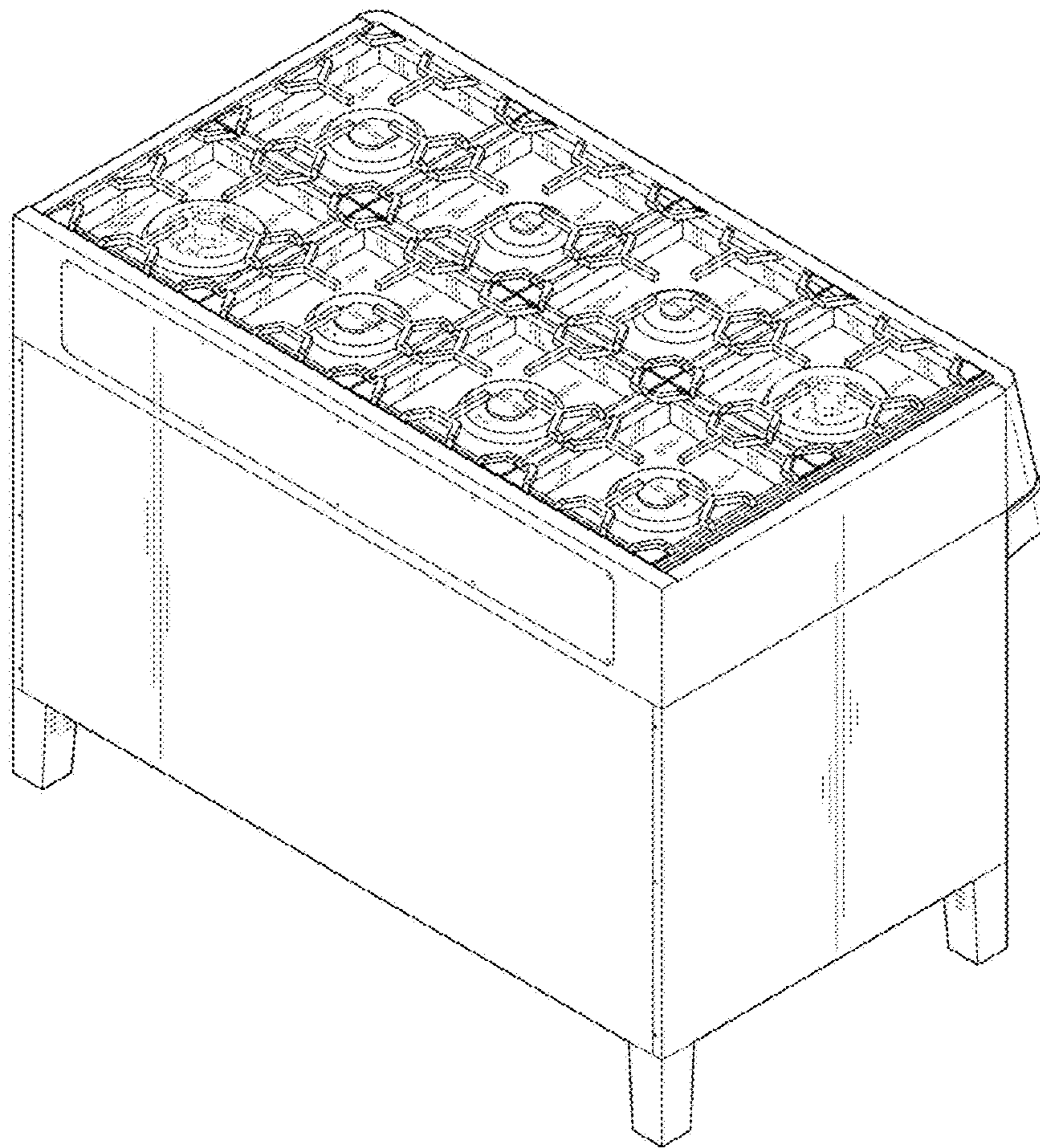


FIG. 2

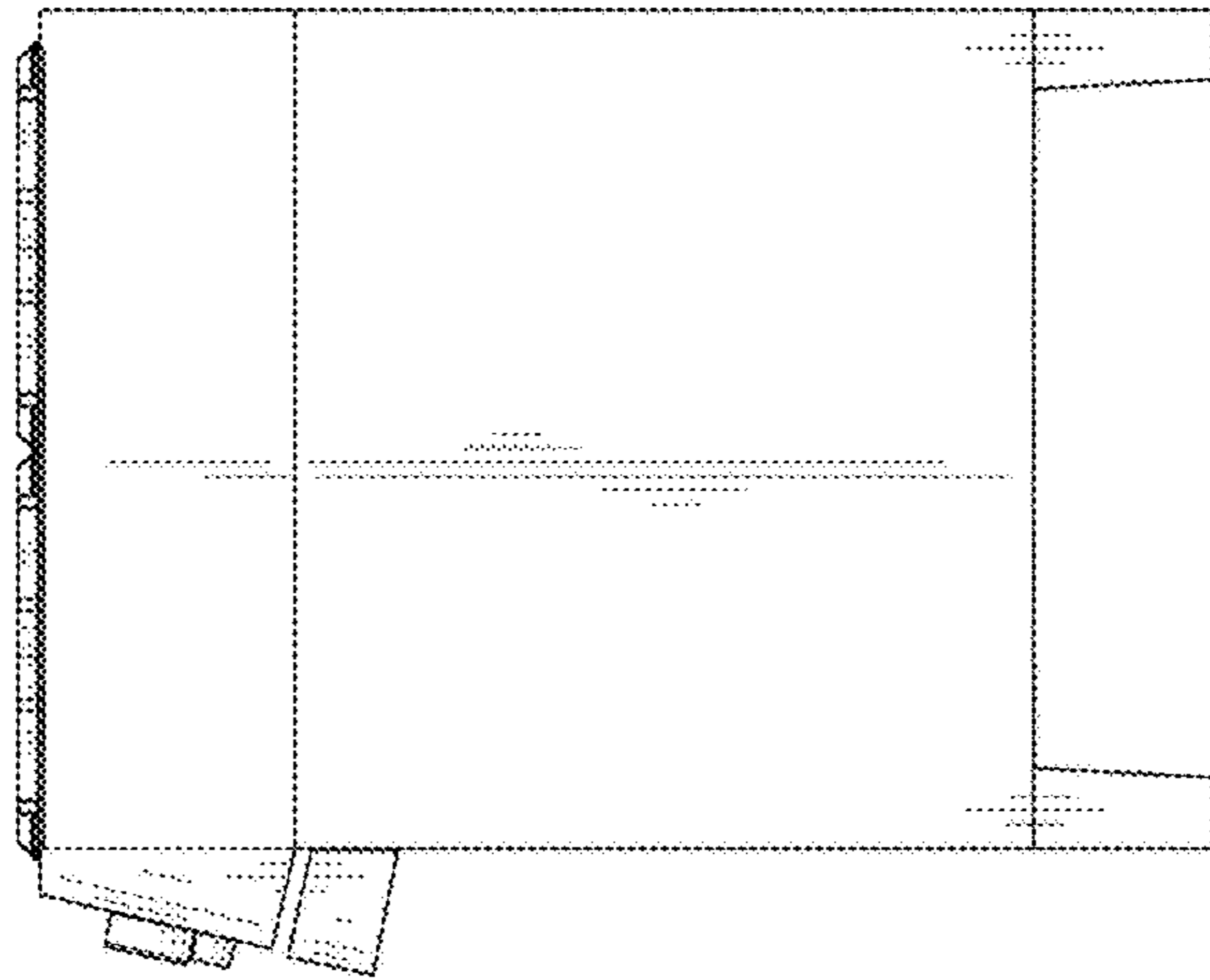


FIG. 4

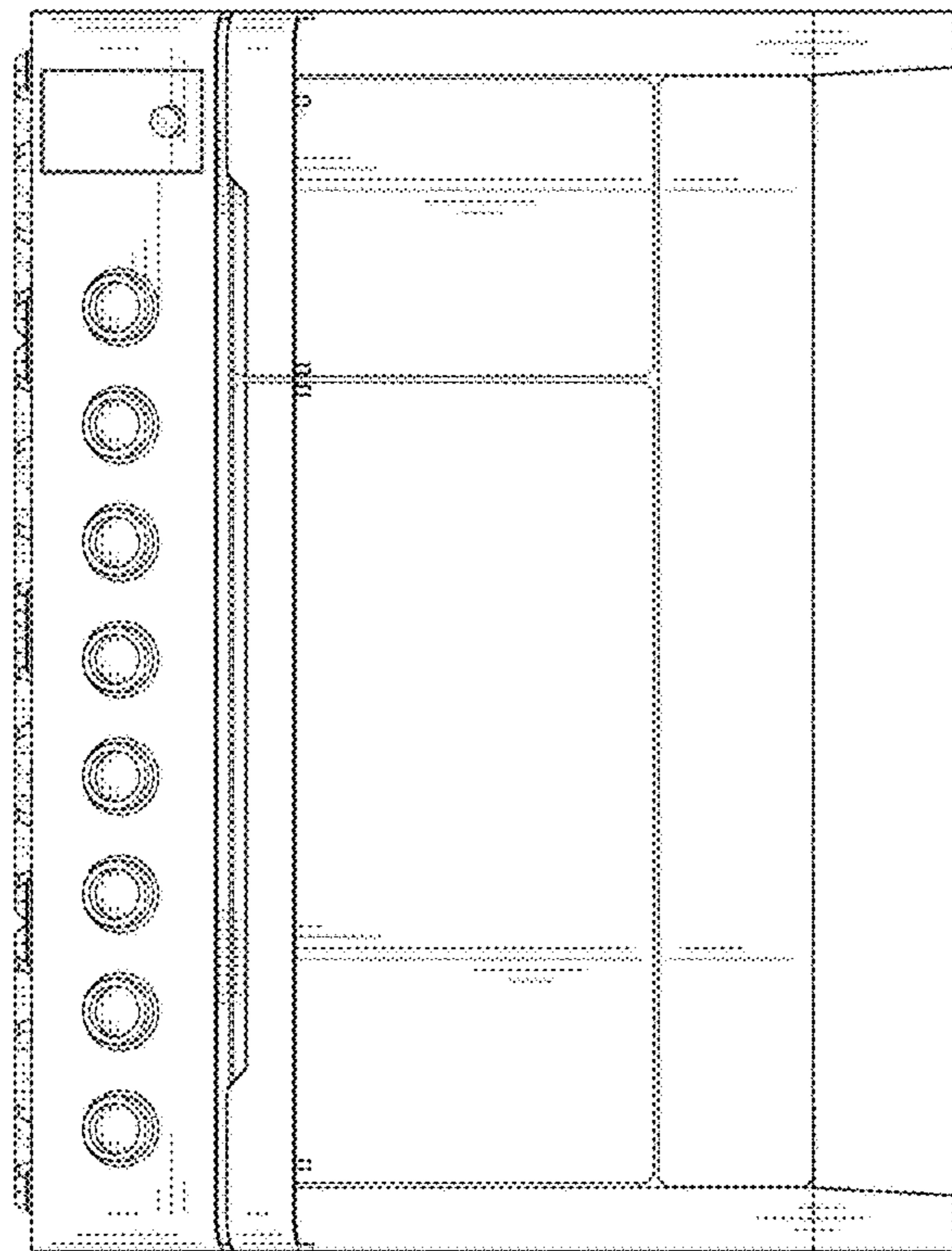


FIG. 3

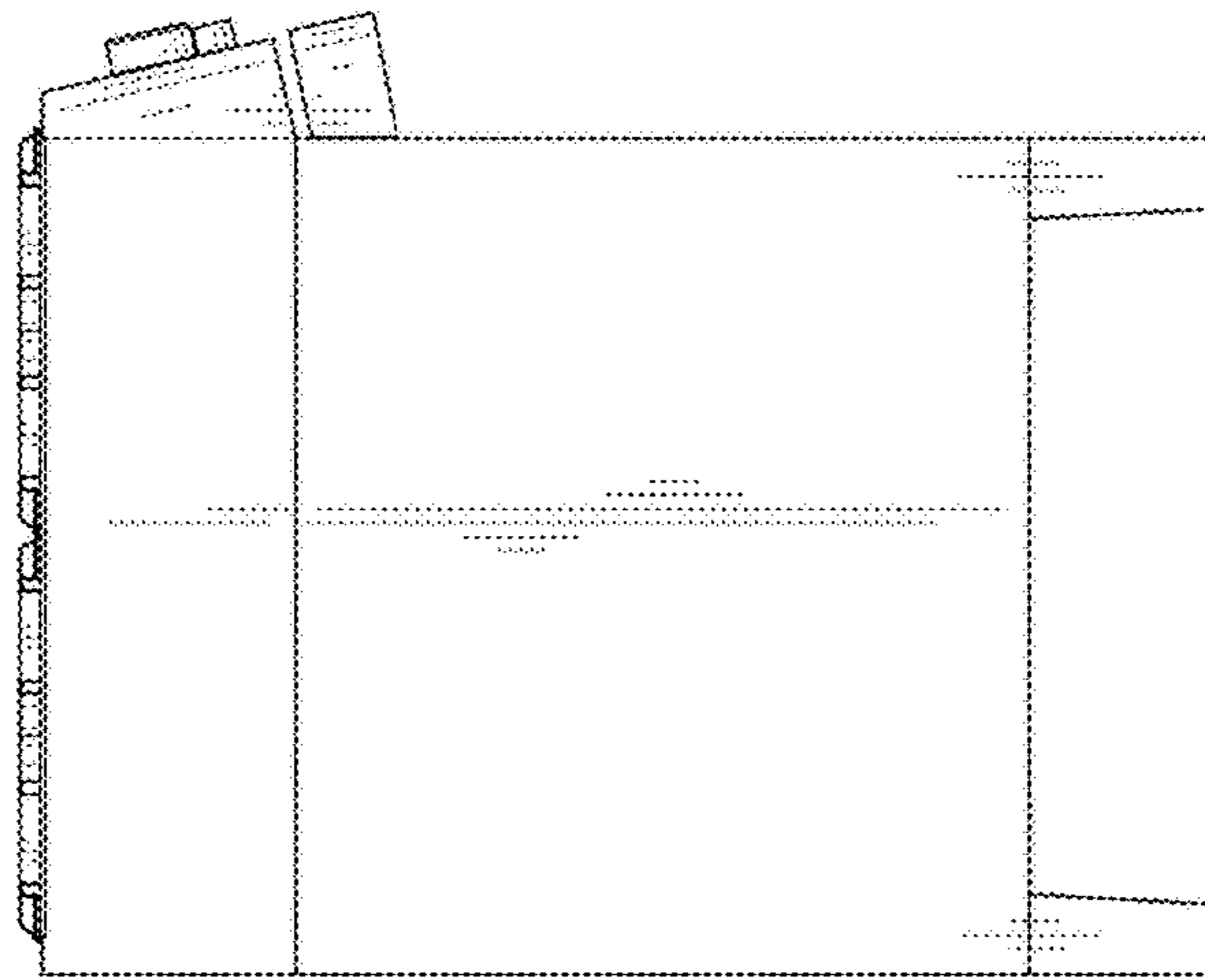


FIG. 5

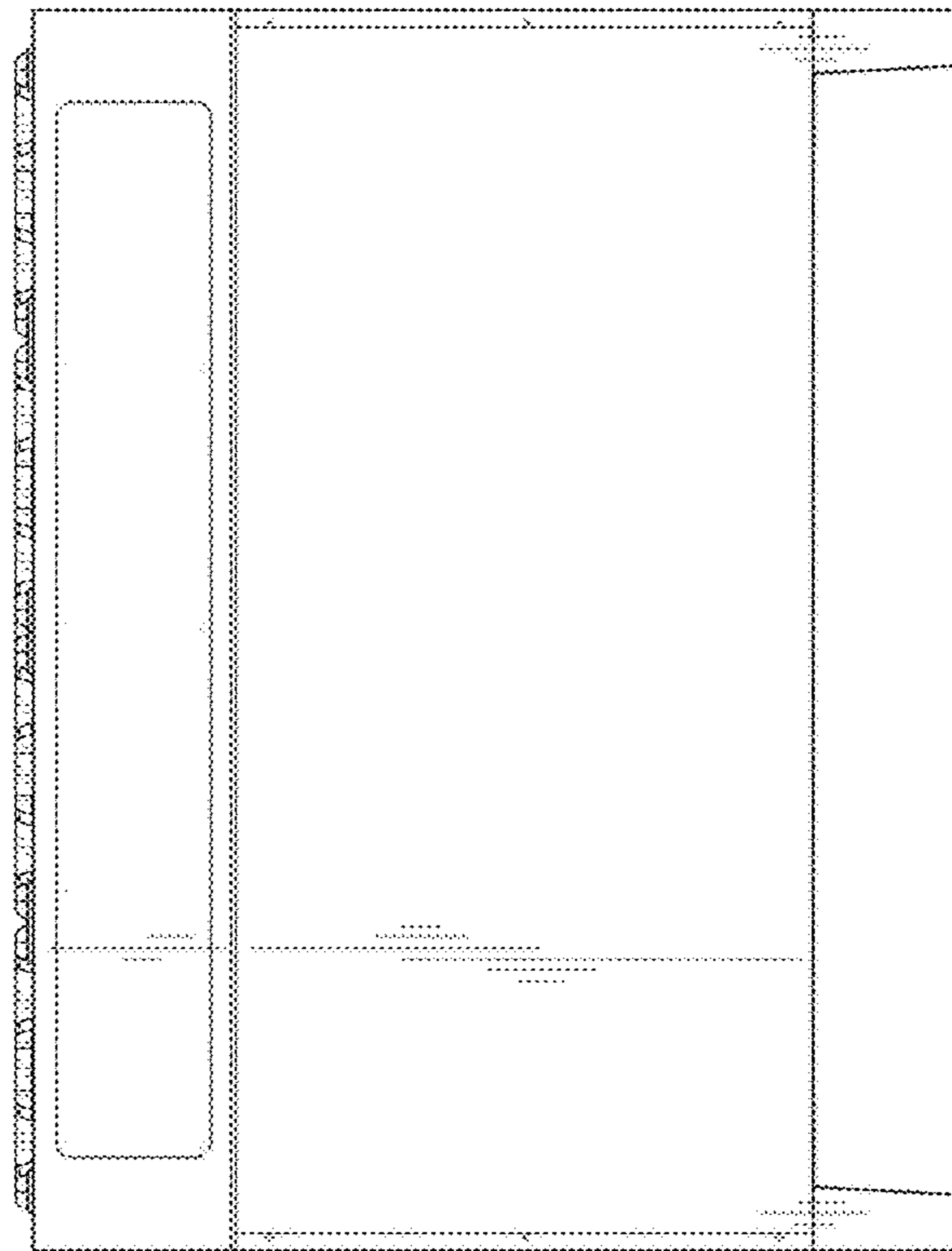


FIG. 6

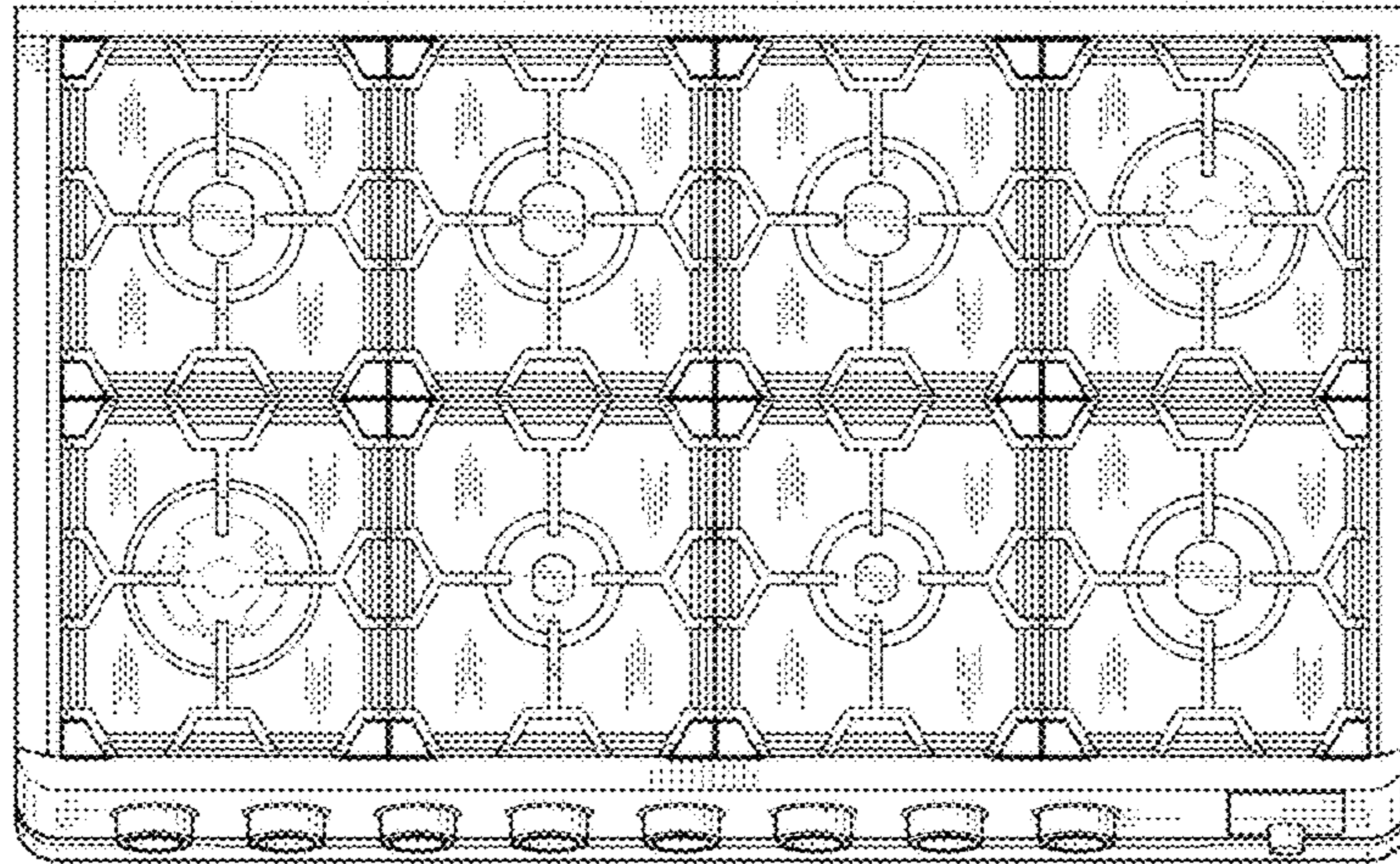


FIG. 7



FIG. 8