



US00D868526S

(12) **United States Design Patent**
Peng

(10) **Patent No.:** **US D868,526 S**

(45) **Date of Patent:** **** Dec. 3, 2019**

(54) **MILK HEATER**

(71) Applicant: **Qian Peng**, Shenzhen (CN)

(72) Inventor: **Qian Peng**, Shenzhen (CN)

(73) Assignee: **ShenZhen Yormick Technology company Limited**, Shenzhen (CN)

(**) Term: **15 Years**

(21) Appl. No.: **29/668,329**

(22) Filed: **Oct. 30, 2018**

(51) **LOC (12) Cl.** **07-02**

(52) **U.S. Cl.**
USPC **D7/326**

(58) **Field of Classification Search**
USPC D7/323, 326-327, 368, 386, 412, 601, D7/602, 605
CPC A01J 9/08; A23L 3/10; A45D 34/00; A47J 27/04; A47J 27/004; A47J 36/24; A47J 36/2411; A47J 36/2416; A47J 36/2433; A47J 36/2438; A47J 39/00; A47J 39/006; A47J 41/00; H05B 3/0004
See application file for complete search history.

(56) **References Cited**

U.S. PATENT DOCUMENTS

3,385,950 A * 5/1968 Lipor A47J 36/2433 392/333
D387,239 S * 12/1997 Johnstone D7/326

6,444,956 B1 * 9/2002 Witcher A45D 34/00 219/386
D547,118 S * 7/2007 Picozza D7/412
D557,983 S * 12/2007 Picozza D7/412
7,617,766 B2 * 11/2009 Tracy A47J 27/04 366/205
8,045,848 B2 * 10/2011 Wortley A47J 36/2438 392/441
D679,935 S * 4/2013 Tse D7/326
D704,350 S * 5/2014 Lau D24/217
D706,568 S * 6/2014 Sirotin D7/326
8,866,050 B2 * 10/2014 McBean A47J 36/2438 165/104.31
D798,653 S * 10/2017 Fan D7/386

* cited by examiner

Primary Examiner — Ricky Pham

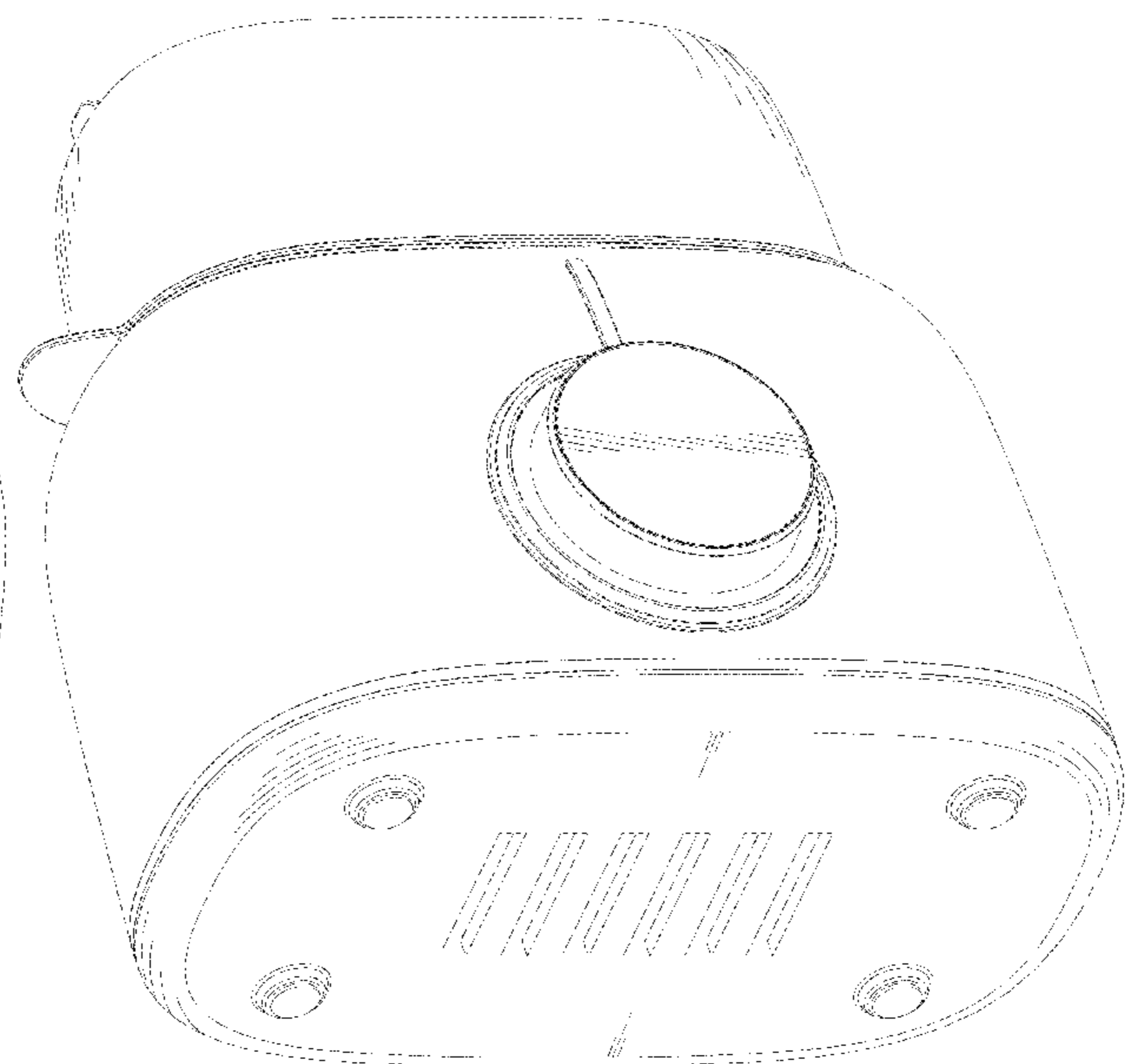
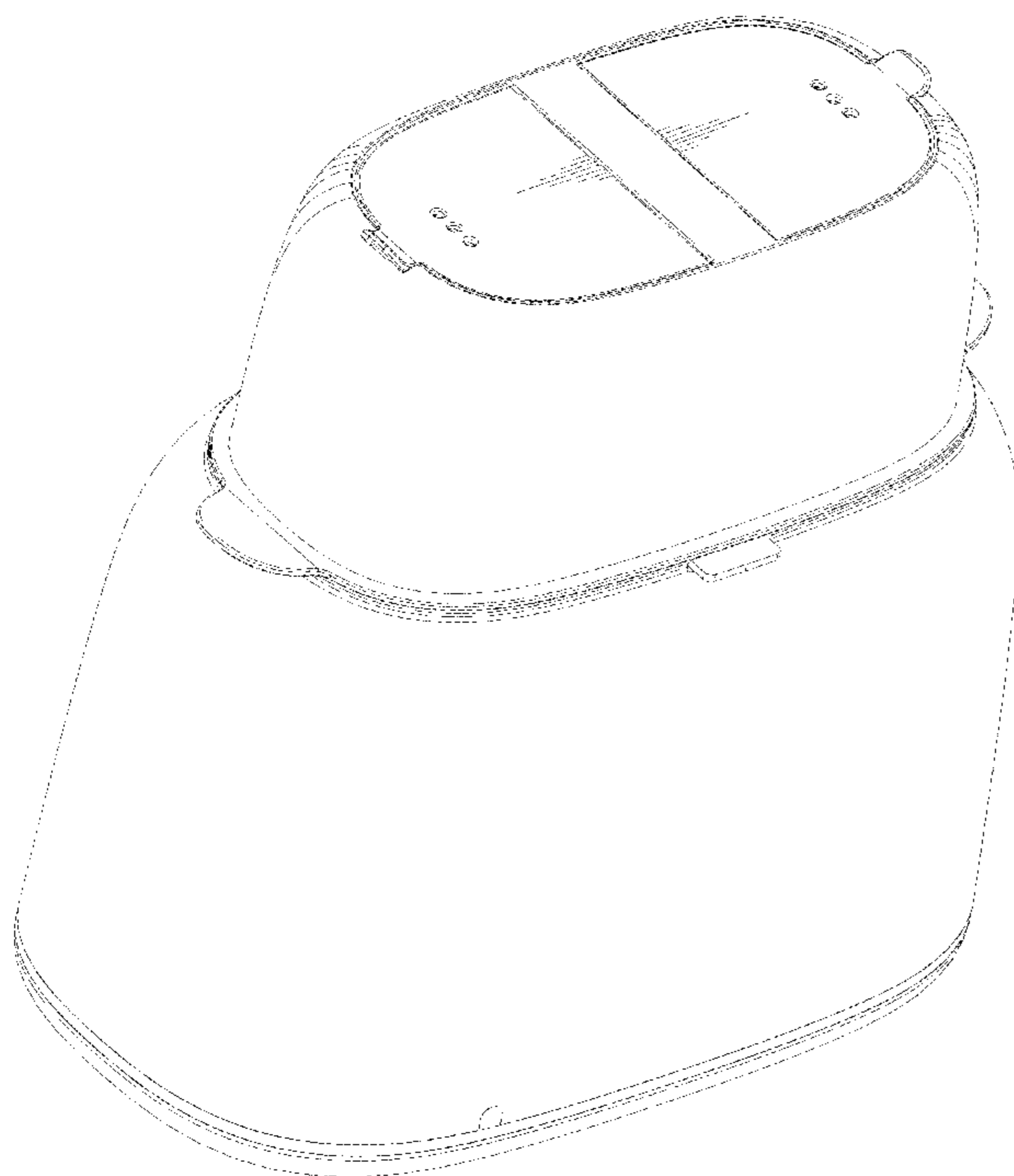
(57) **CLAIM**

The ornamental design for a milk heater, as shown and described.

DESCRIPTION

FIG. 1 is a rear, top perspective view of a milk heater showing my new design;
FIG. 2 is a front, bottom perspective view thereof;
FIG. 3 is a front elevational view thereof;
FIG. 4 is a rear elevational view thereof;
FIG. 5 is a left side elevational view thereof;
FIG. 6 is a right side elevational view thereof;
FIG. 7 is a top plan view thereof; and,
FIG. 8 is a bottom plan view thereof.

1 Claim, 8 Drawing Sheets



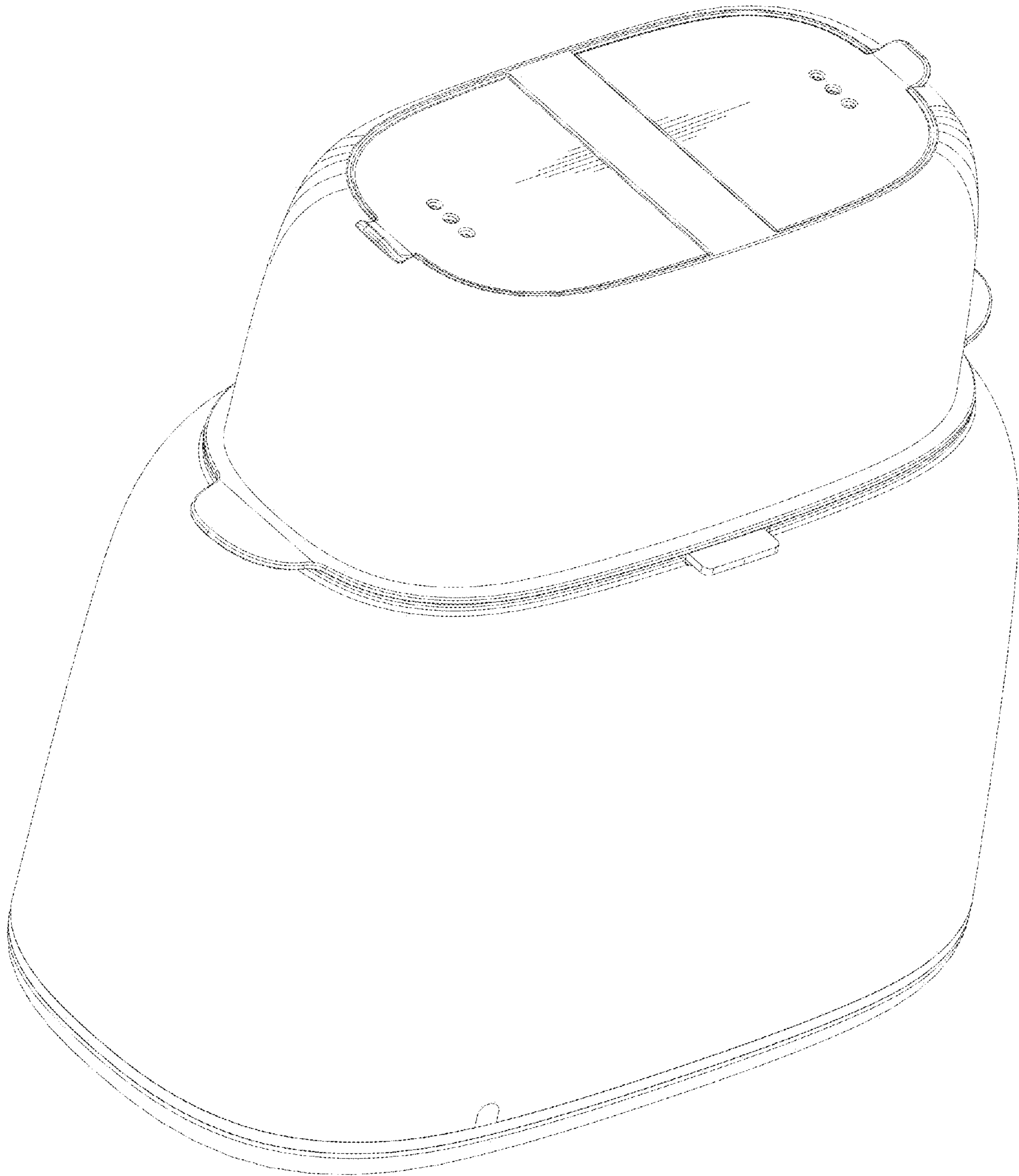


FIG.1

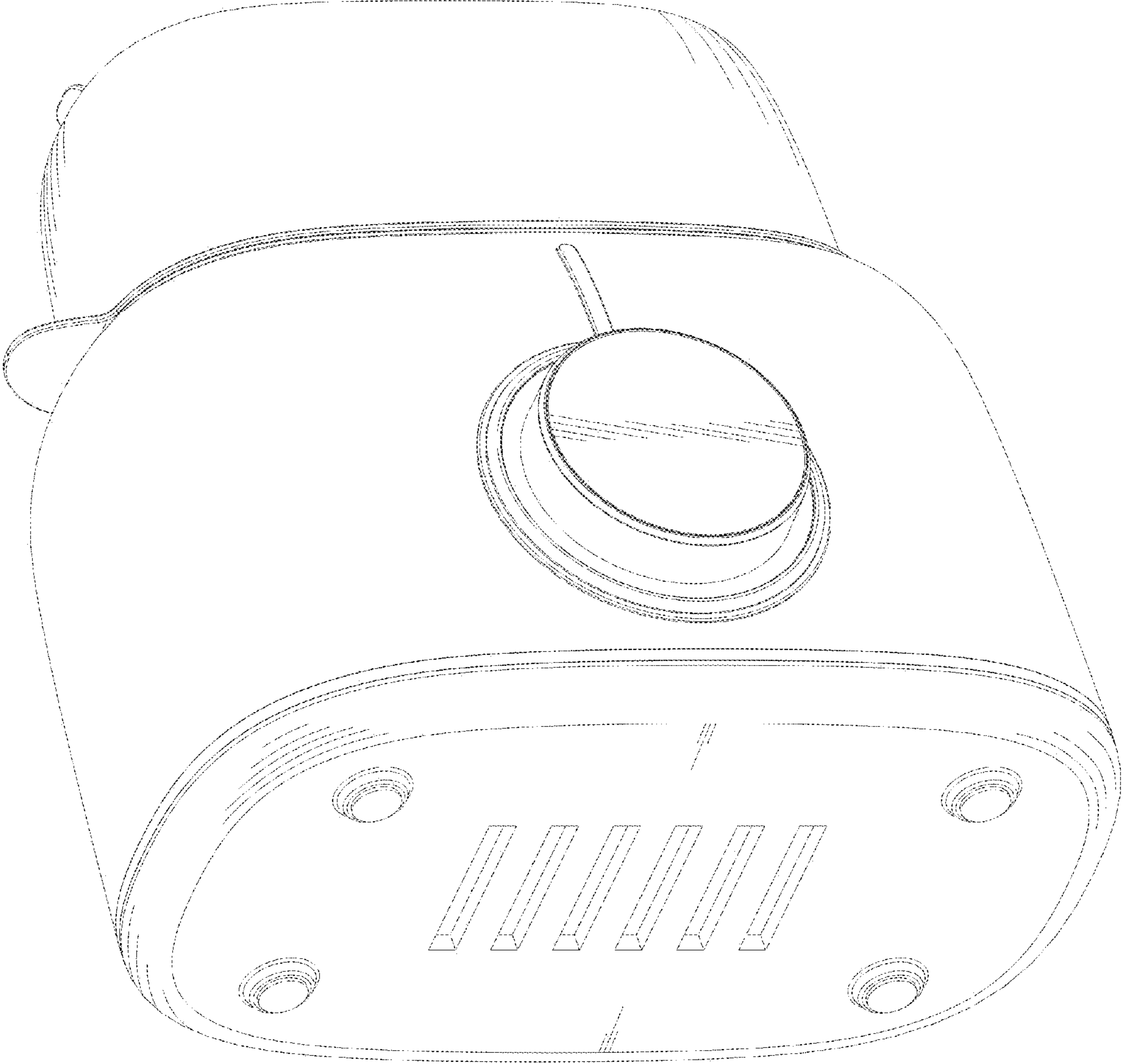


FIG.2

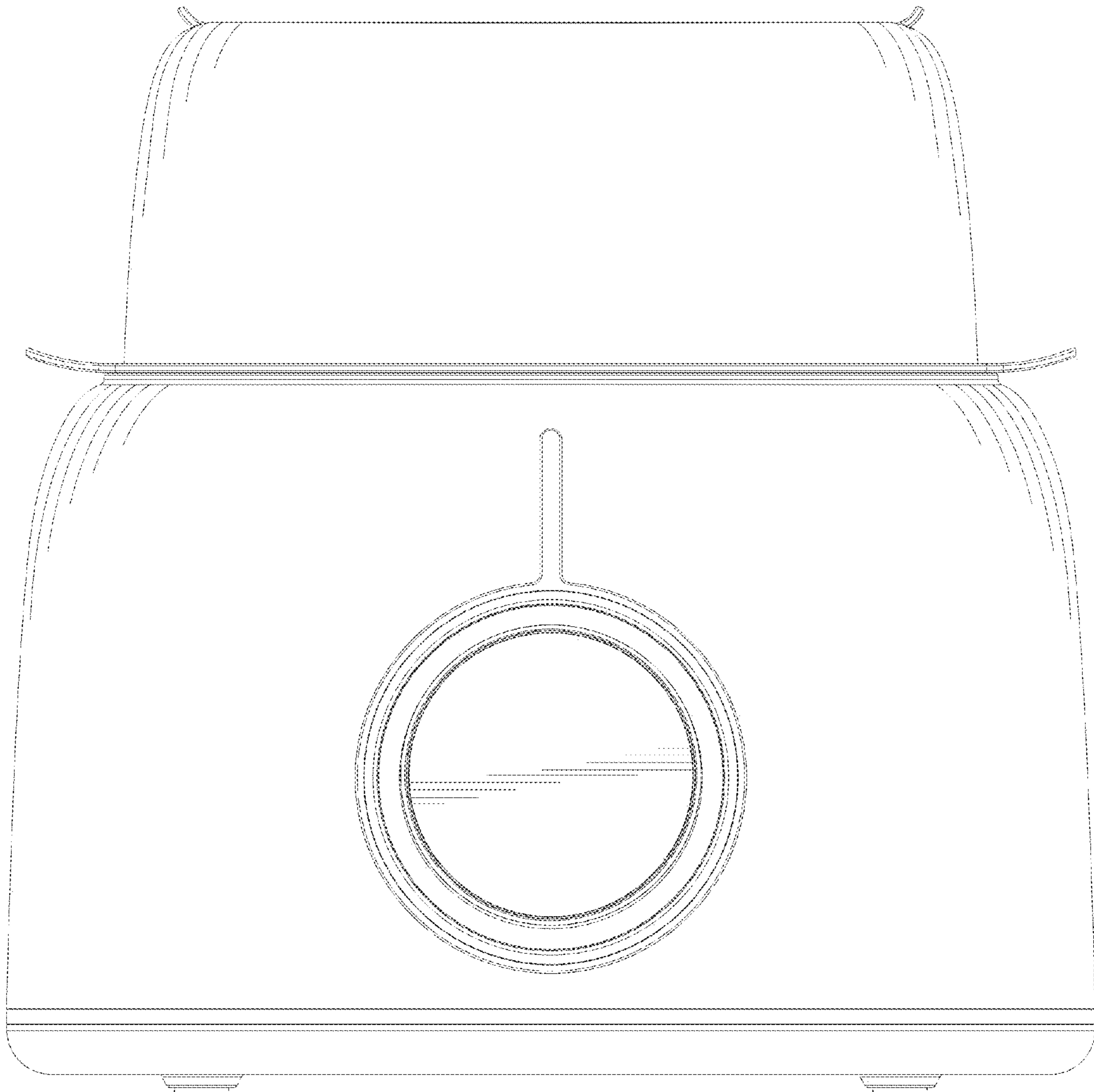


FIG.3

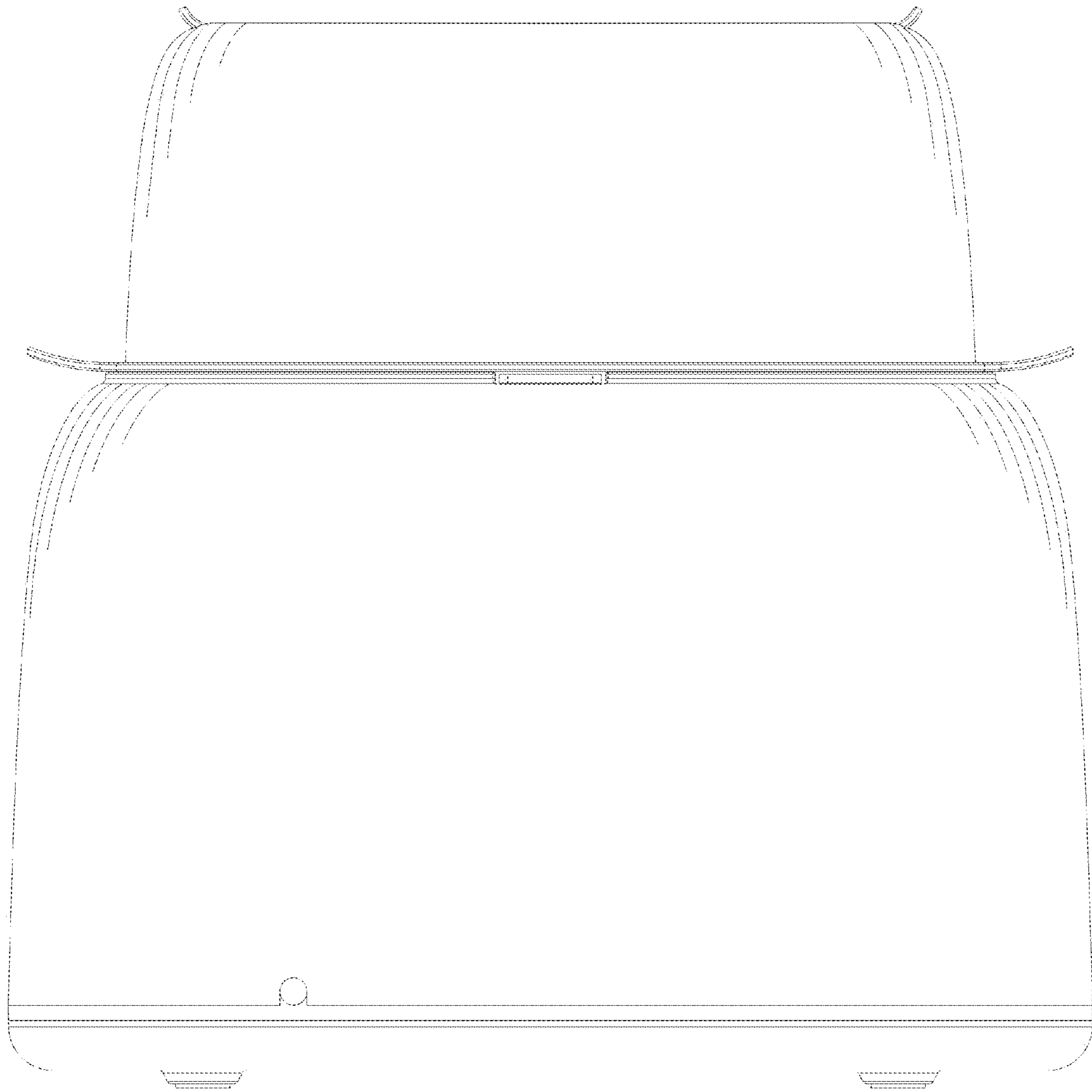


FIG.4

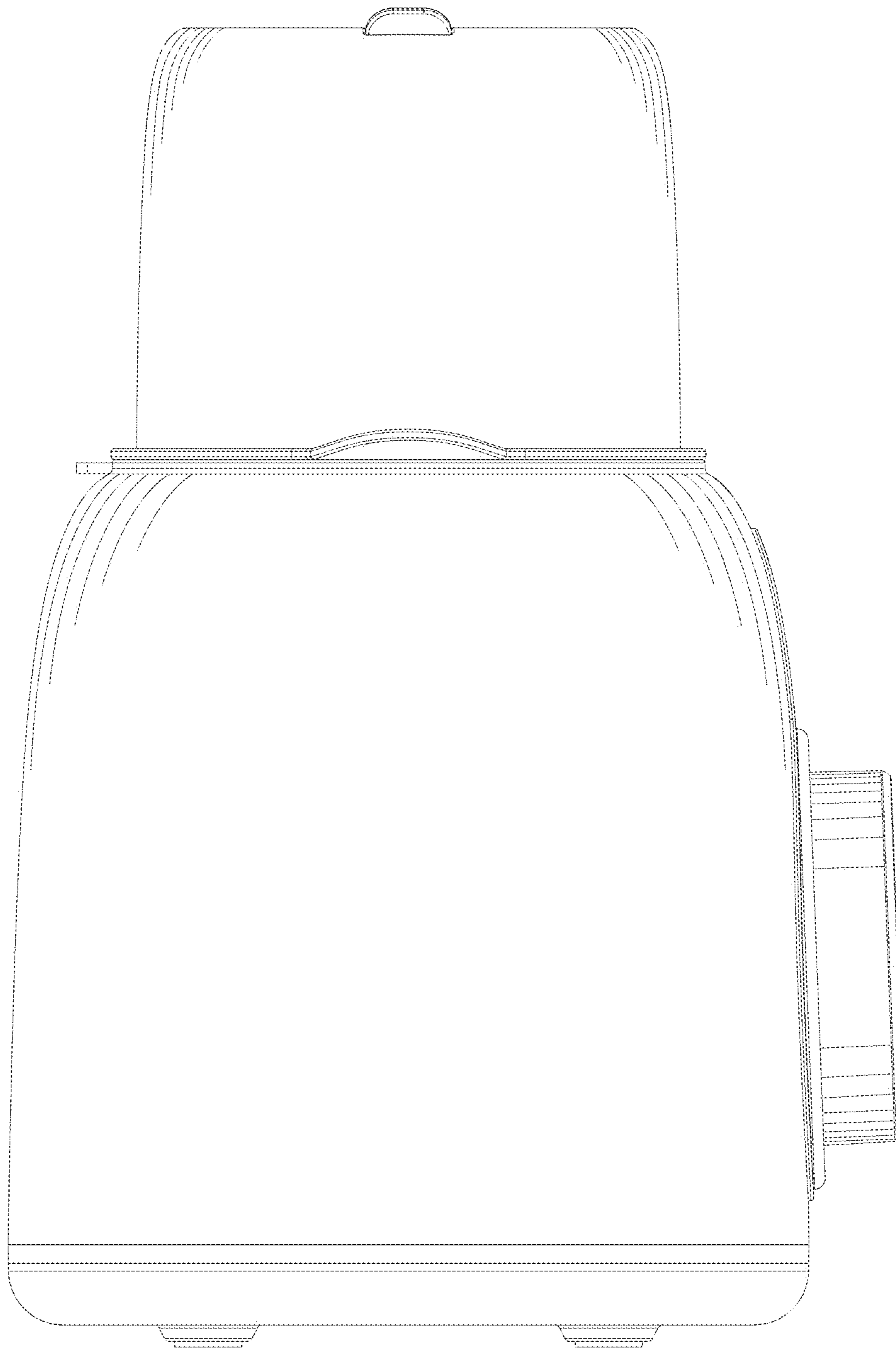


FIG.5

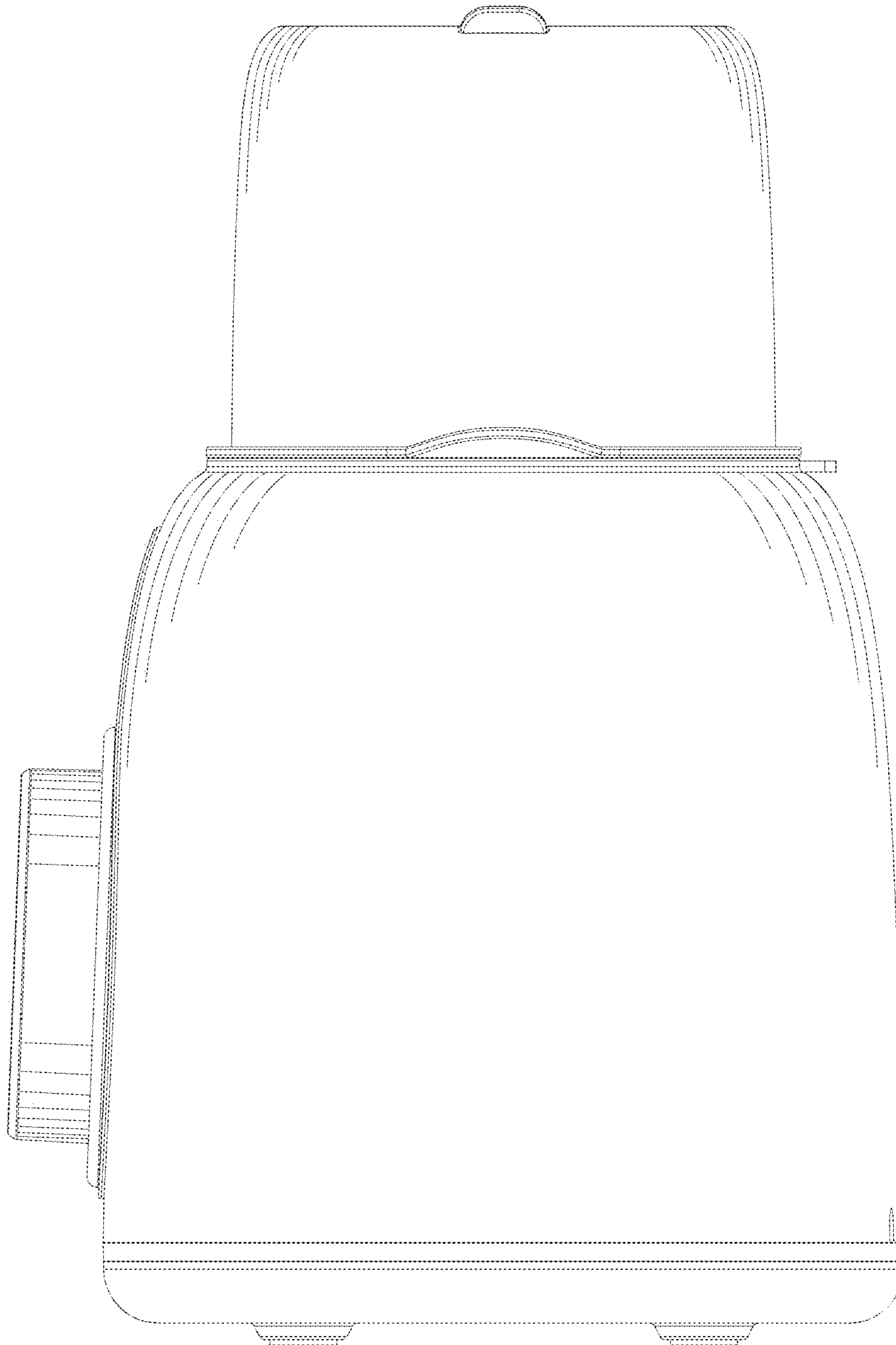


FIG.6

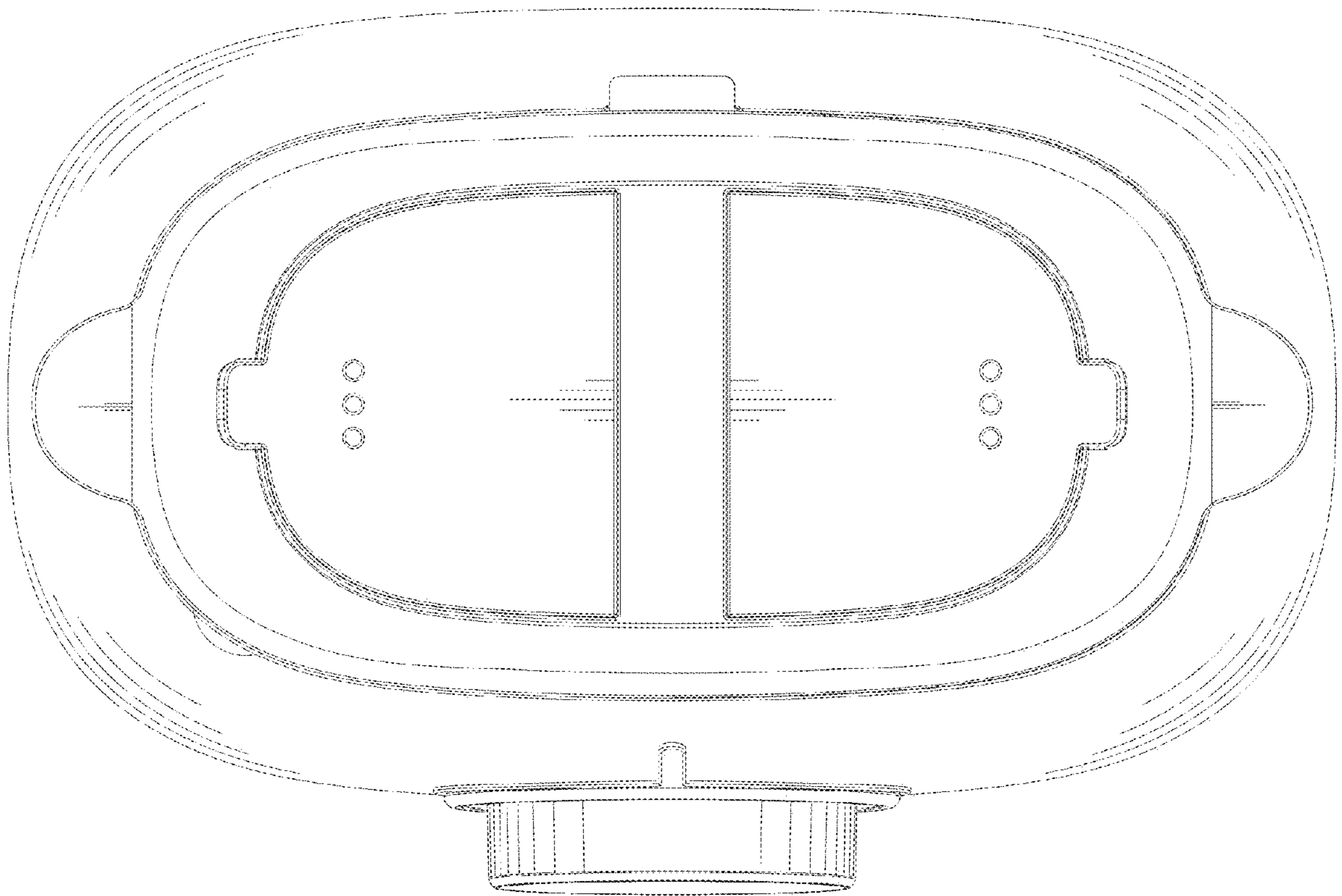


FIG.7

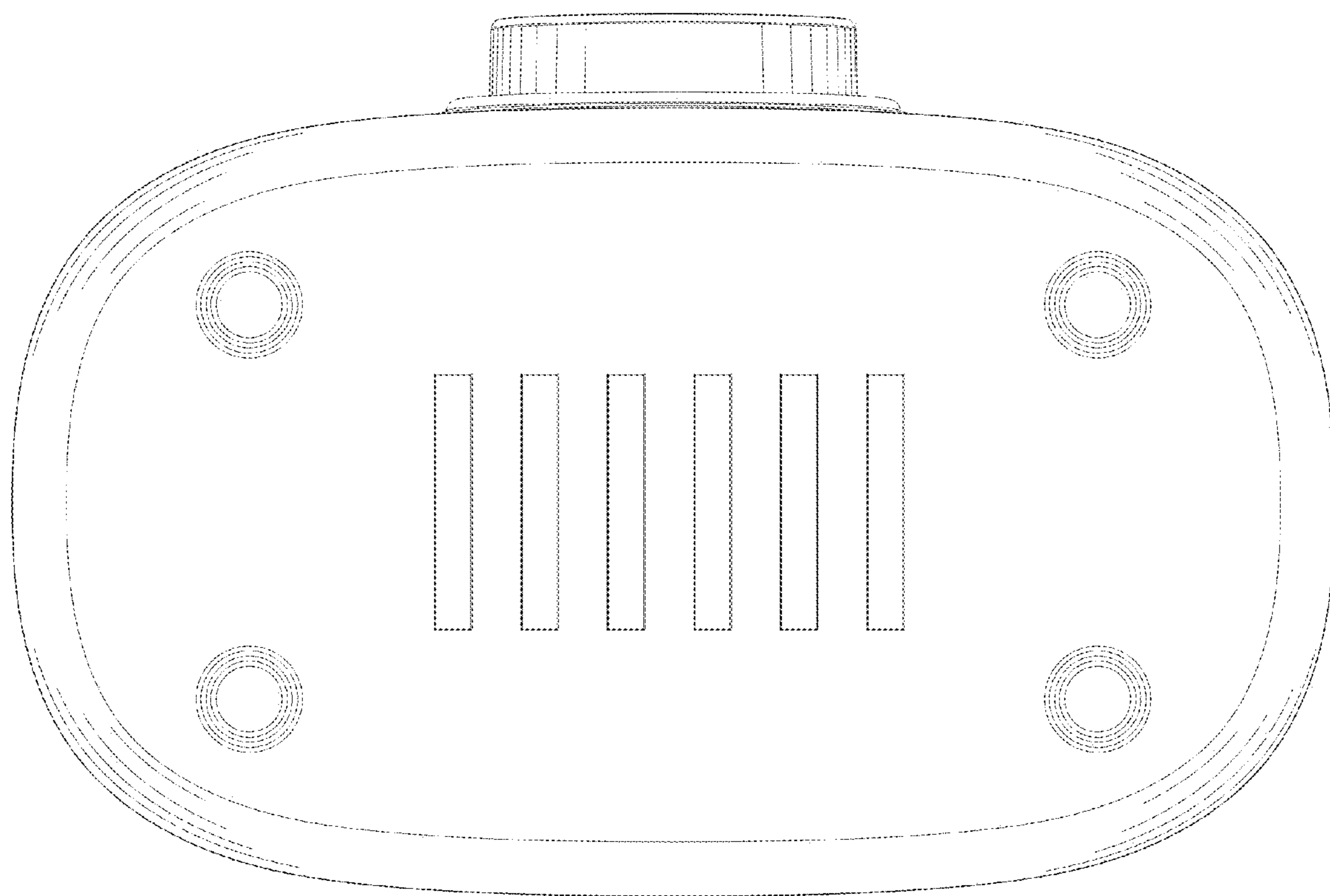


FIG.8