



US00D868525S

(12) **United States Design Patent**
Chang

(10) **Patent No.:** **US D868,525 S**

(45) **Date of Patent:** **** Dec. 3, 2019**

(54) **TEAPOT**

(71) Applicant: **INHESION GROUP LIMITED**, Hong Kong (CN)

(72) Inventor: **Desmond Chang**, Hong Kong (CN)

(73) Assignee: **INHESION GROUP LIMITED**, Hong Kong (CN)

(**) Term: **15 Years**

(21) Appl. No.: **29/701,835**

(22) Filed: **Aug. 15, 2019**

(51) **LOC (12) Cl.** **07-01**

(52) **U.S. Cl.**
USPC **D7/321**

(58) **Field of Classification Search**
USPC D7/598, 312, 317, 316, 320, 302, 321,
D7/322; D11/153, 146
CPC A47G 19/12; A47G 19/16; B67D 3/047;
A47J 31/14
See application file for complete search history.

(56) **References Cited**

U.S. PATENT DOCUMENTS

D188,641 S *	11/1932	Mitchell	D7/321
D95,152 S *	4/1935	Schreckengost	D7/321
D185,054 S *	4/1959	Winans	D7/321
D355,563 S *	2/1995	Lebowitz	D7/321
D380,336 S *	7/1997	Zive	D7/312
D486,989 S *	2/2004	Bodum	D7/312
D495,193 S *	8/2004	Moore	D7/312
D541,574 S *	5/2007	Henderson	D7/312
D552,404 S *	10/2007	Bodum	D7/312
D558,510 S *	1/2008	Bodum	D7/312
D560,091 S *	1/2008	Bodum	D7/312
D568,087 S *	5/2008	Frank	D7/312

D589,292 S *	3/2009	Thurlow	D7/312
D640,495 S *	6/2011	Blacken	D7/321
D675,474 S *	2/2013	de Klein	D7/320
D679,537 S *	4/2013	Muspratt-Williams	D7/317
D685,560 S *	7/2013	Lee	D32/57

OTHER PUBLICATIONS

“Price & Kensington Matt Grey 6 Cup Teapot”, Retrieved Aug. 14, 2019]. Retrieved from Internet, <https://www.amazon.co.uk/Price-Kensington-Matt-Grey-Teapot/dp/B00NL7BGPW/>.

“Glass Infuser Teapot | Stainless Steel Loose Leaf Teapot Filter | Heat Resistant Tea & Coffee Strainer | Single Cup Tea Pot | M&W”, Retrieved Aug. 14, 2019]. Retrieved from Internet, <https://www.amazon.co.uk/Infuser-Stainless-Teapot-Resistant-Strainer/dp/B07JBTJN31/>.

“Tealyra—Large White Porcelain Teapot—1400ml (6-8 Cups)—English Modern Style’High Quality—Teapot with Bee Style Spout Filter to Brew Loose Leaf Tea—Ceramic Brewer Pot”, Retrieved Aug. 14, 2019]. Retrieved from Internet, <https://www.amazon.co.uk/Tealyra-Porcelain-English-Quality-Ceramic/dp/B07FTVQQG8/>.

* cited by examiner

Primary Examiner — Marianne N Pandozzi

(57) **CLAIM**

The ornamental design for a teapot, as shown and described.

DESCRIPTION

FIG. 1 is a perspective view of a teapot showing my new design;

FIG. 2 is a front elevational view thereof; the rear elevational view being a mirror image thereof;

FIG. 3 is a top plan view thereof;

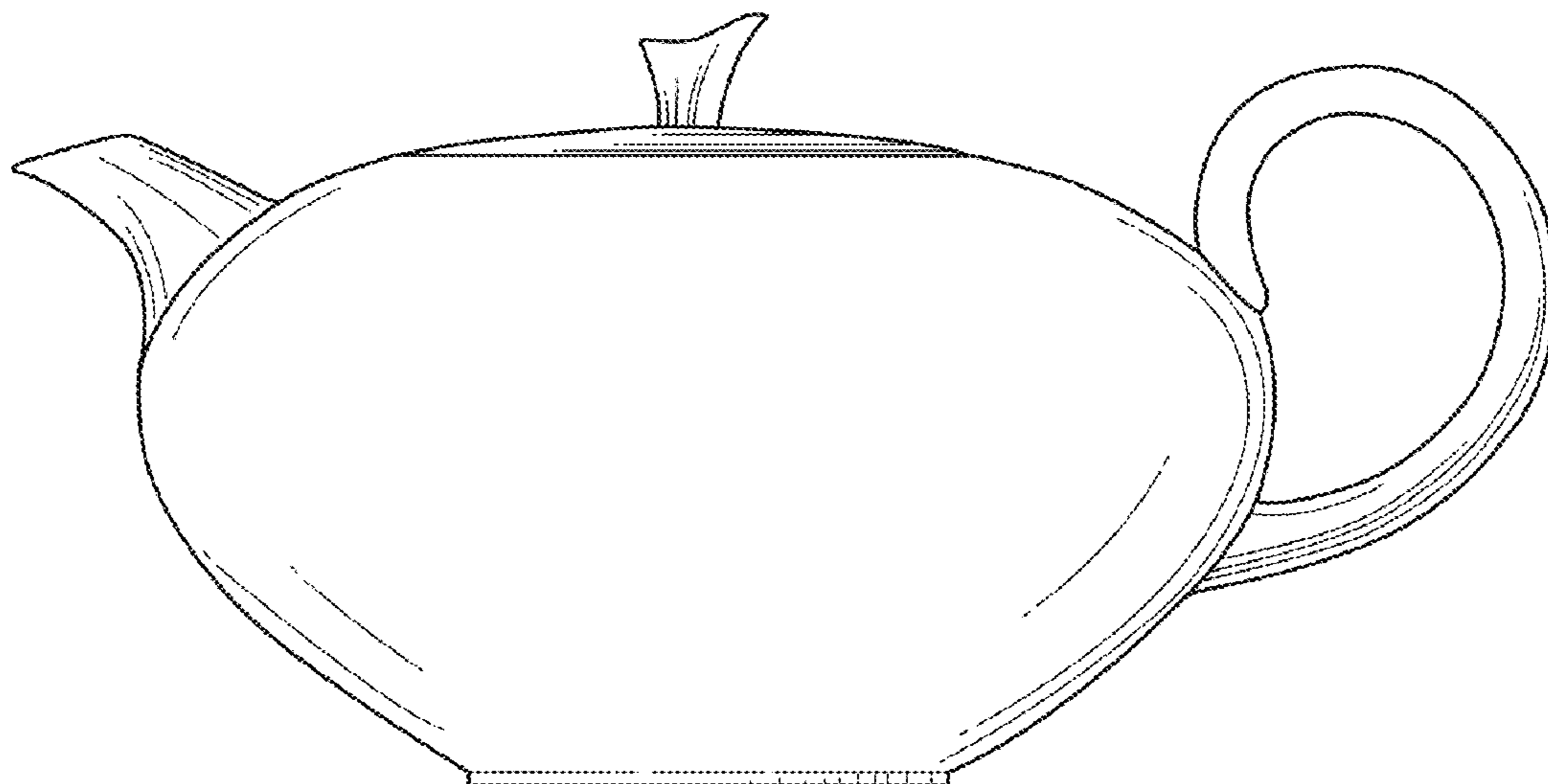
FIG. 4 is a right side elevational view thereof;

FIG. 5 is a left side elevational view thereof;

FIG. 6 is a bottom plan view thereof; and,

FIG. 7 is a bottom perspective view thereof.

1 Claim, 5 Drawing Sheets



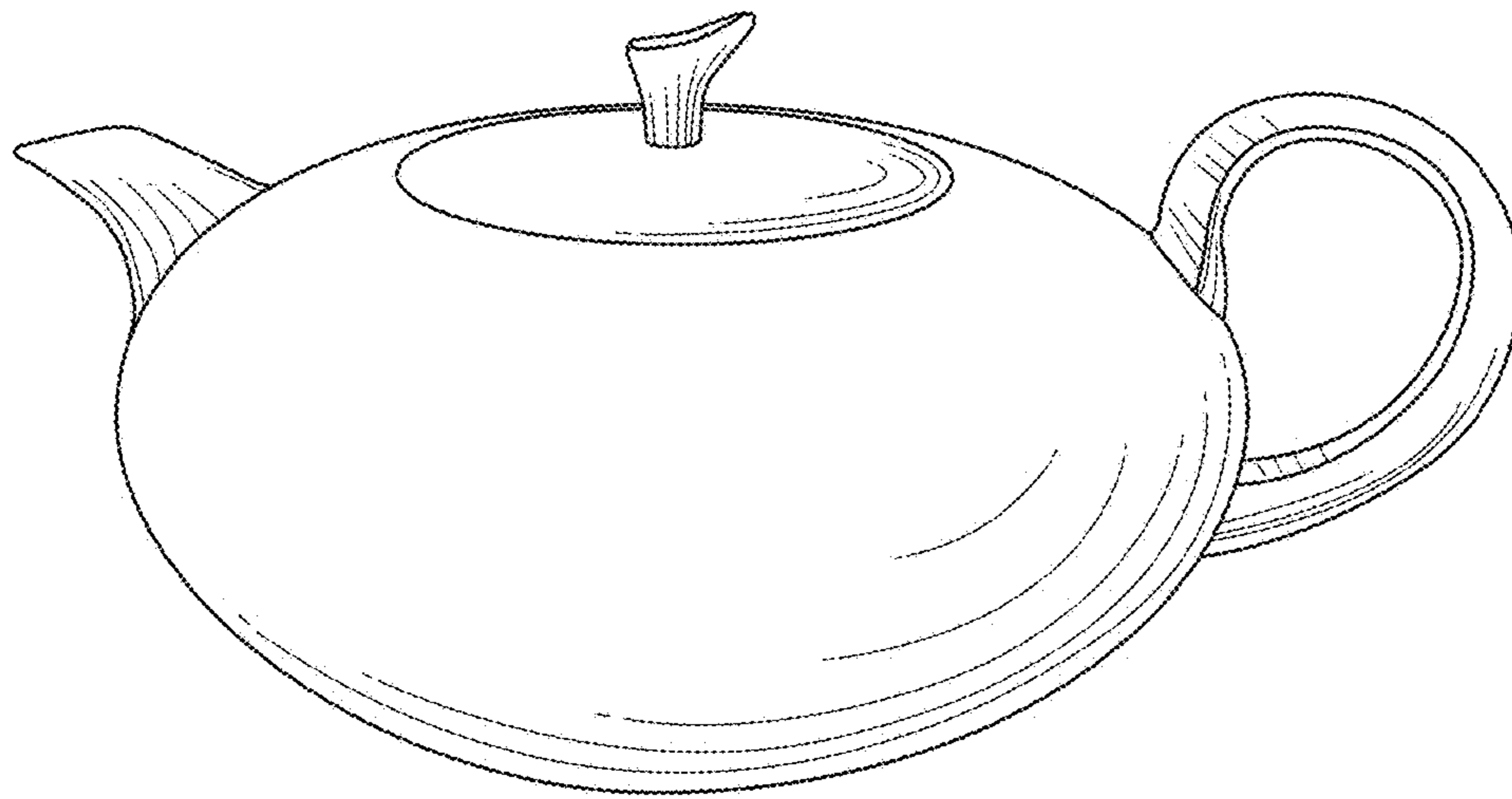


FIG. 1

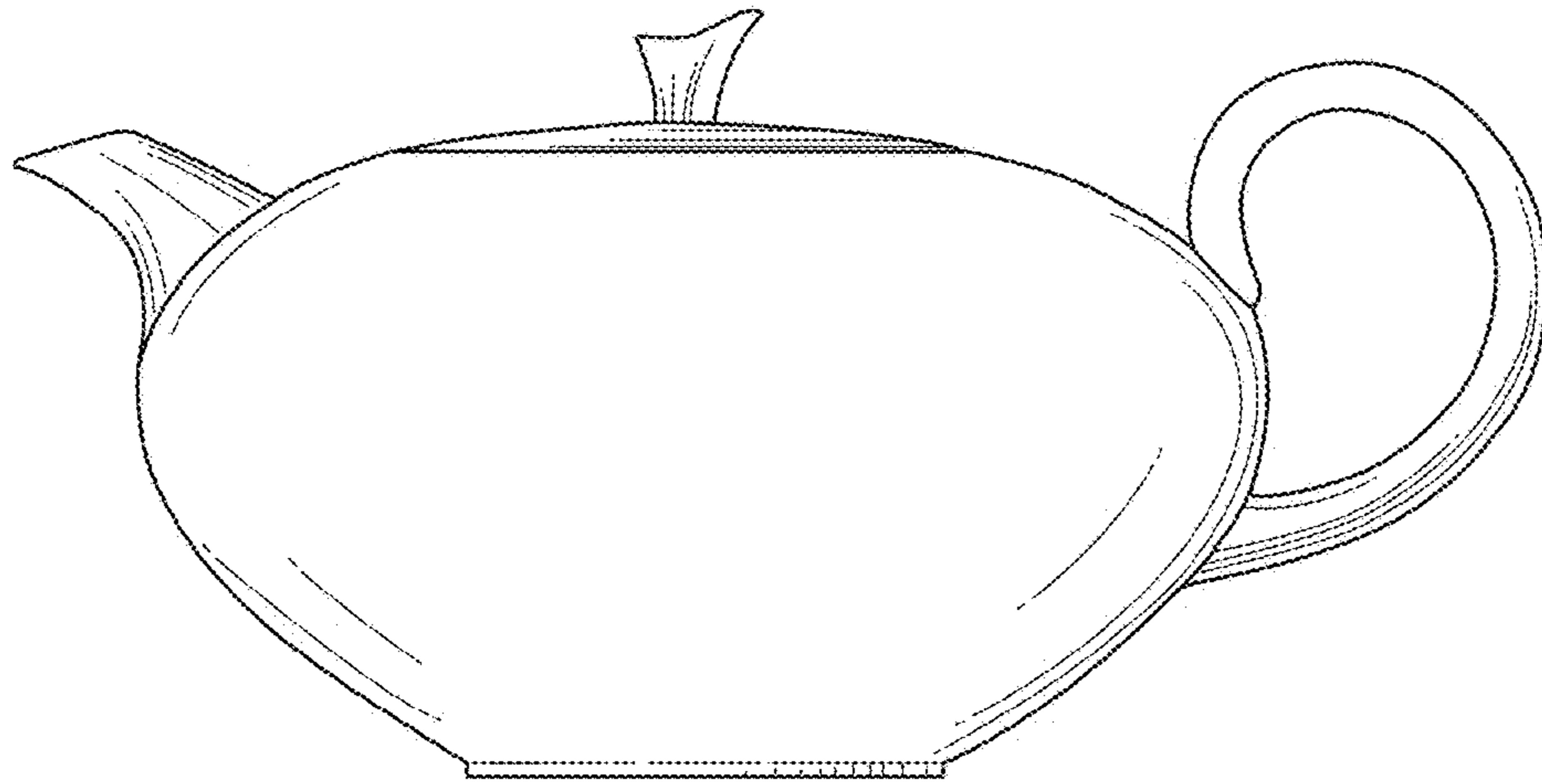


FIG. 2

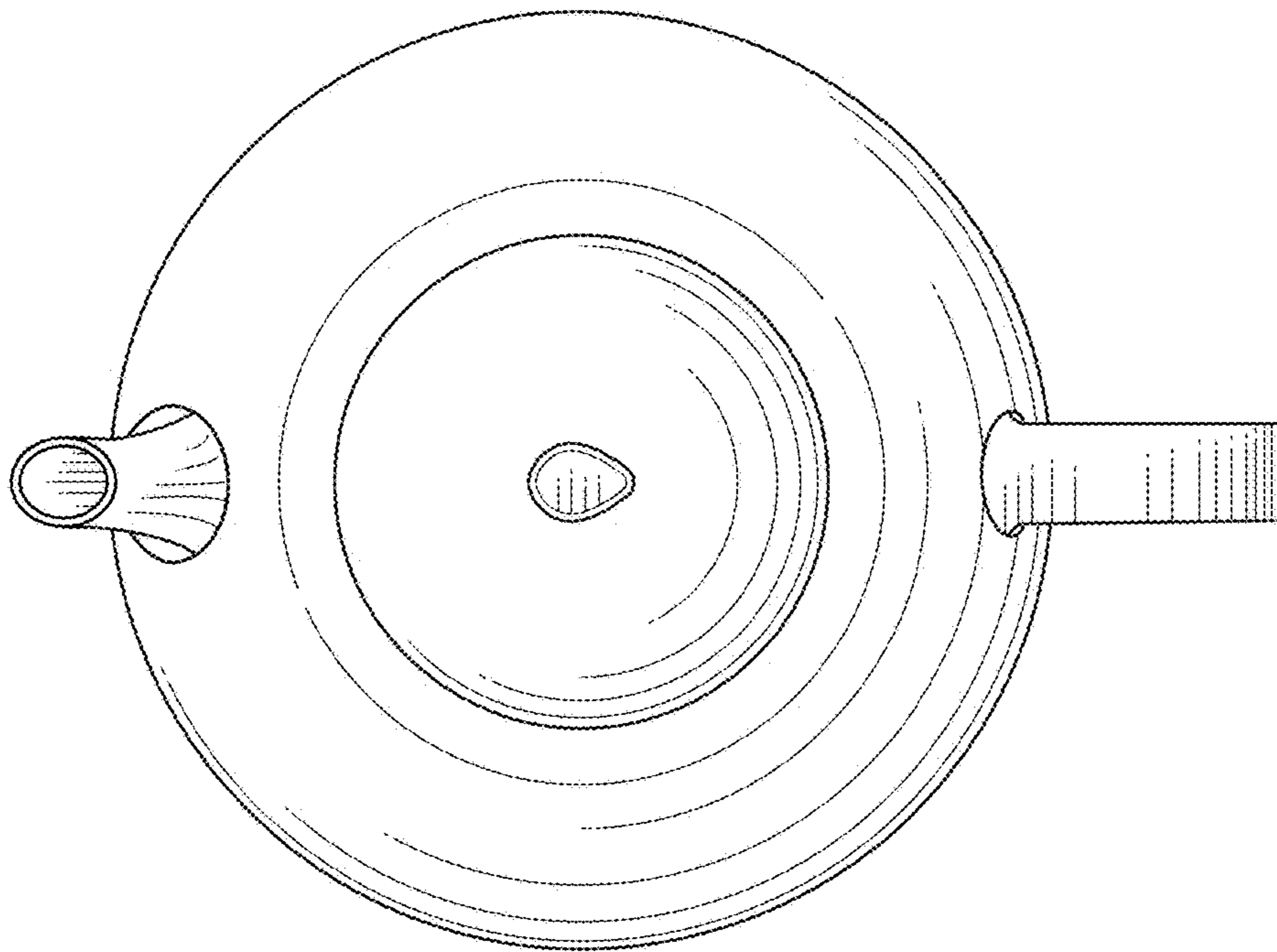


FIG. 3

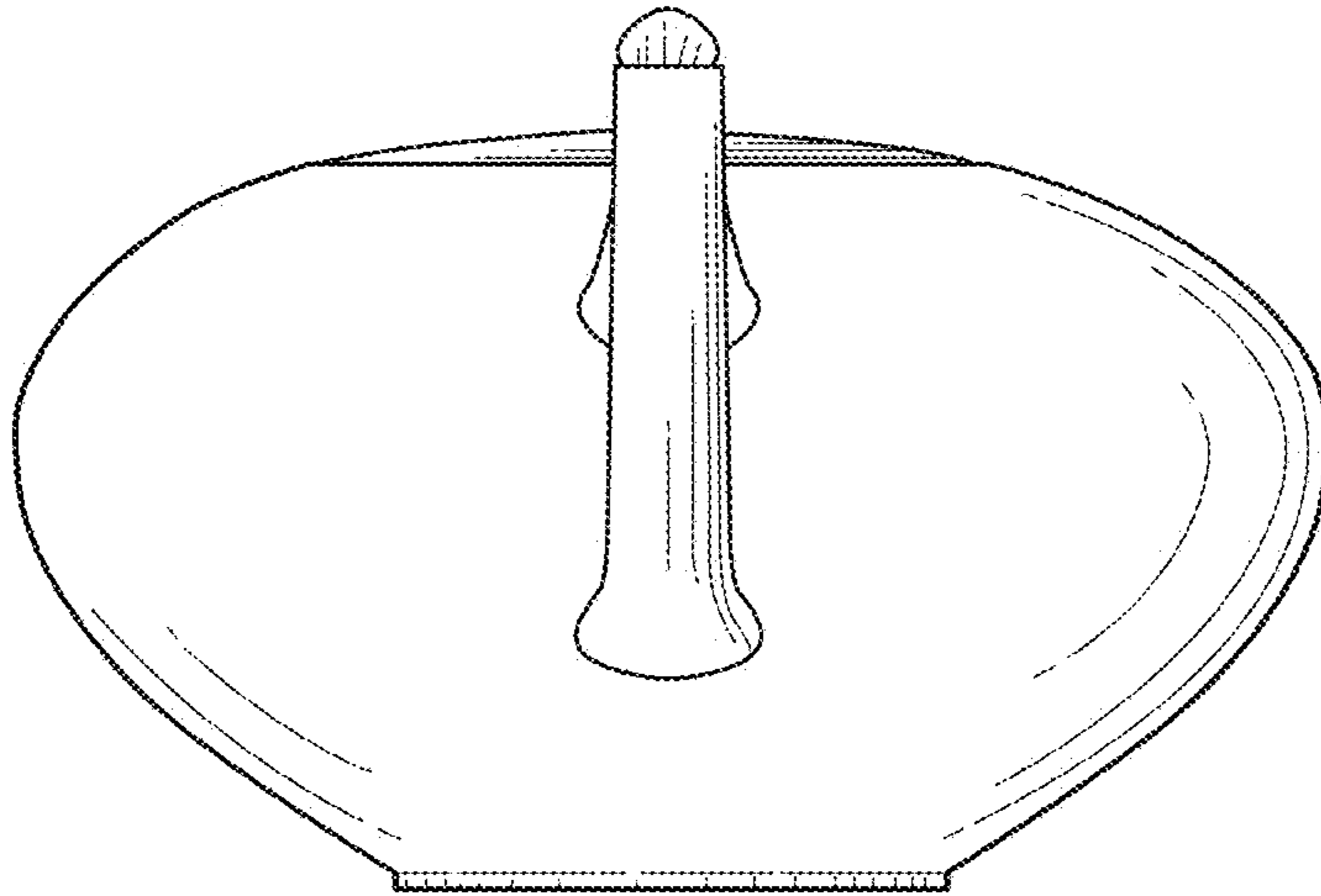


FIG. 4

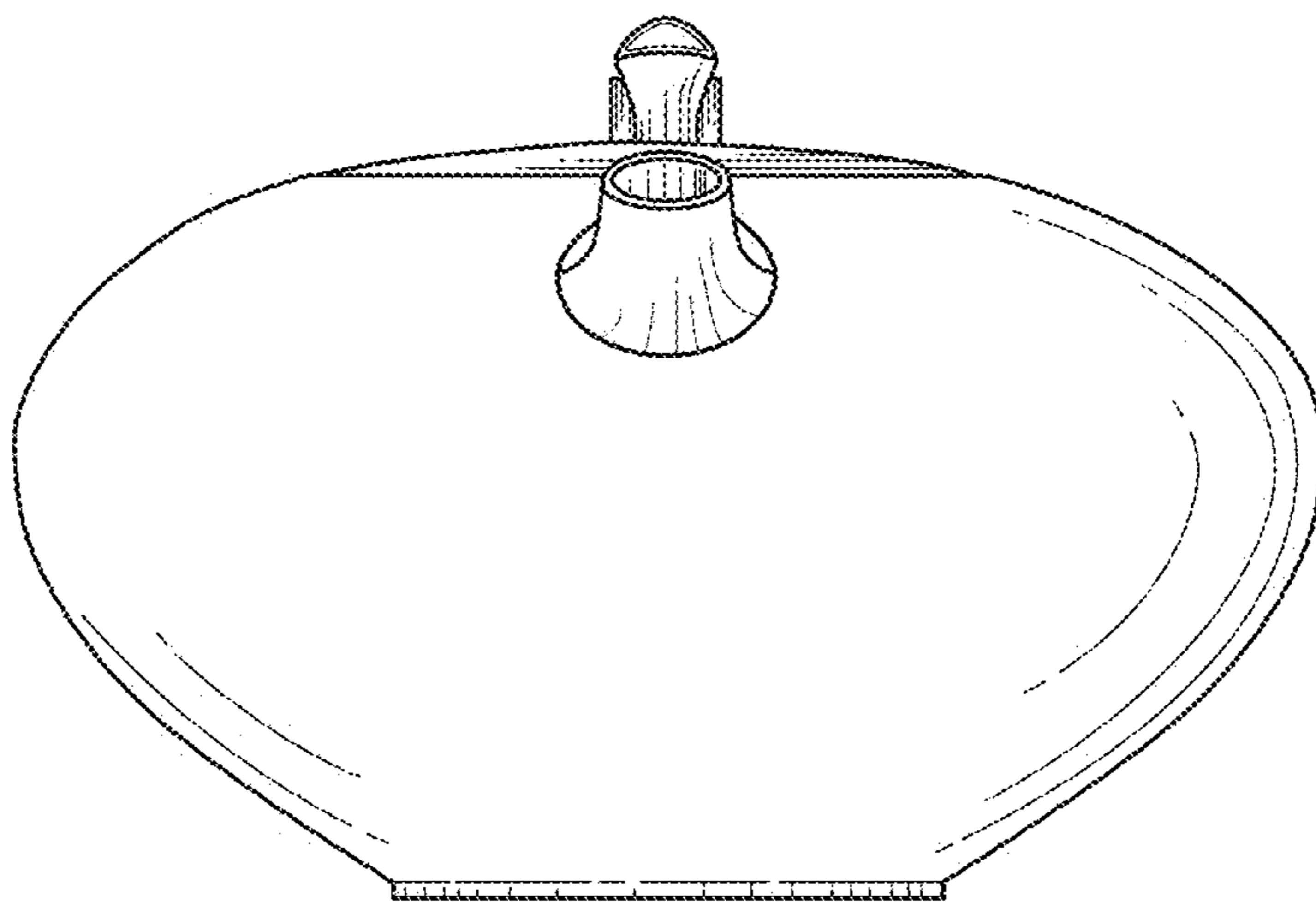


FIG. 5

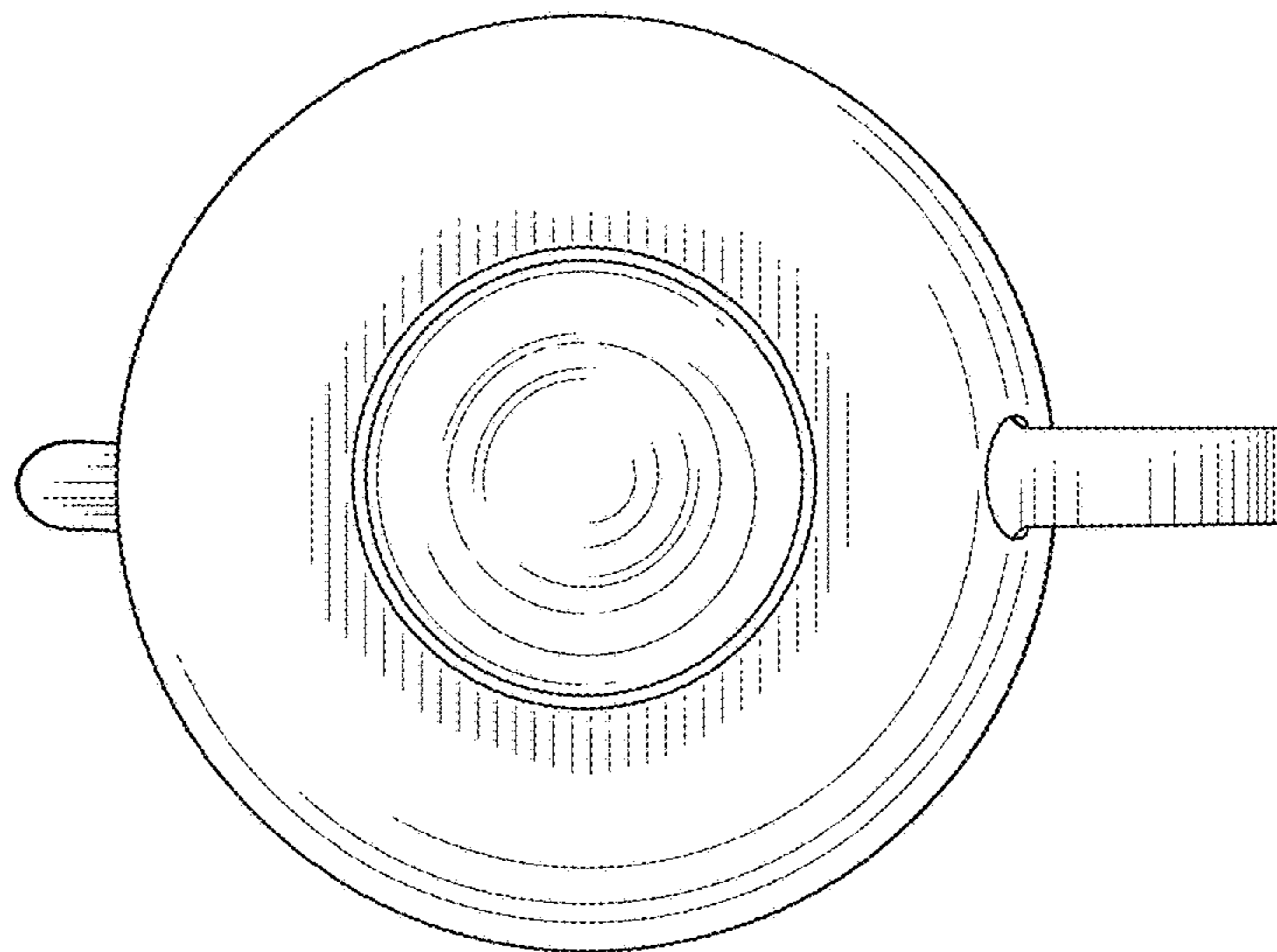


FIG. 6

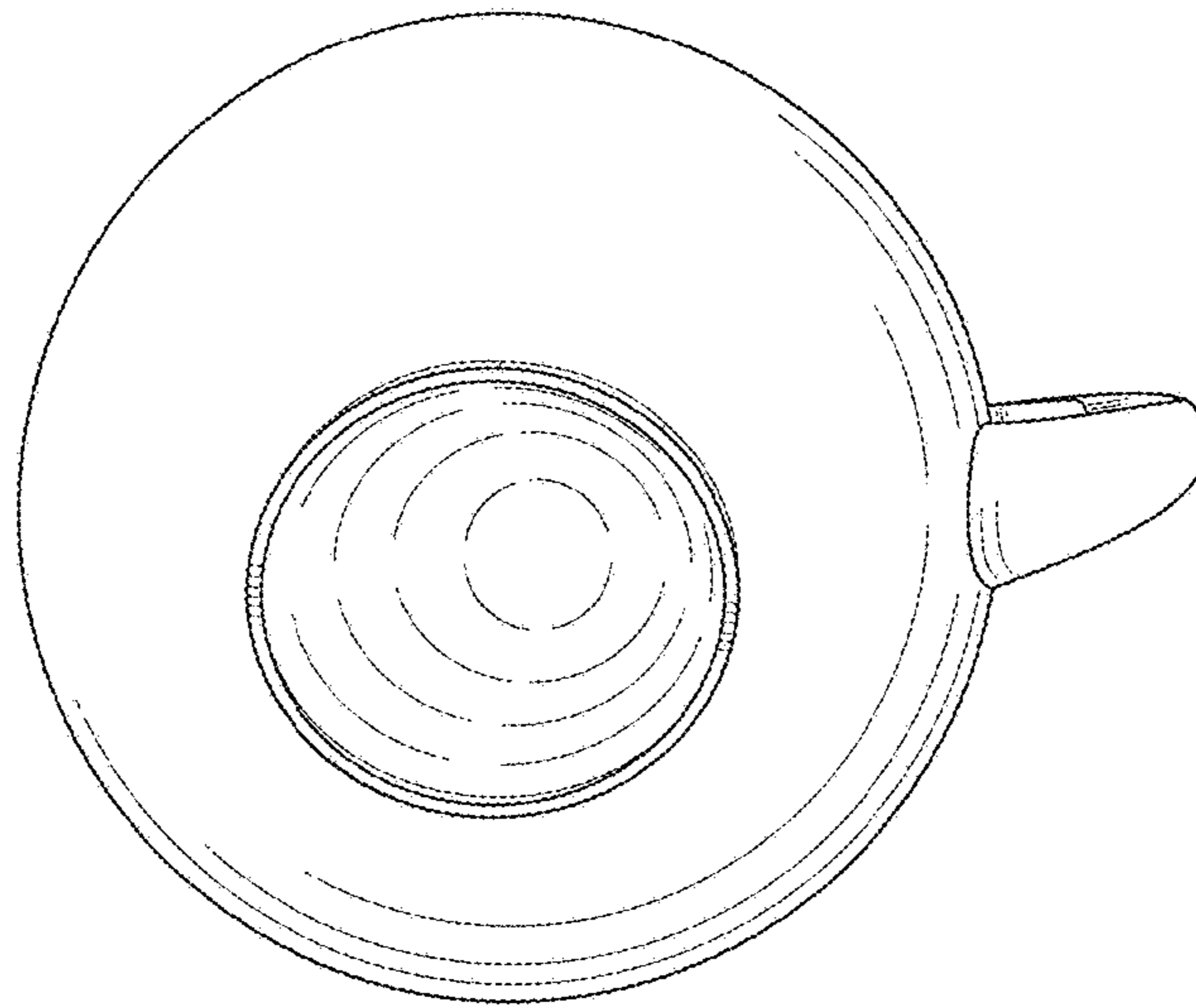


FIG. 7