

US00D868521S

(12) **United States Design Patent** (10) **Patent No.:** **US D868,521 S**  
**Stropkay et al.** (45) **Date of Patent:** **\*\* Dec. 3, 2019**

(54) **BEVERAGE DISPENSER**  
(71) Applicant: **Coravin, Inc.**, Burlington, MA (US)  
(72) Inventors: **Scott Stropkay**, Carlisle, MA (US);  
**Mark Matthews**, Scituate, MA (US);  
**Rory McGarry**, Hingham, MA (US);  
**Otto DeRuntz**, Dunstable, MA (US);  
**Michael Rider**, Lowell, MA (US)  
(73) Assignee: **Coravin, Inc.**, Bedford, MA (US)

D679,933 S \* 4/2013 Bruno ..... D7/306  
D689,353 S 9/2013 Dockser et al.  
D717,578 S 11/2014 Lazaris et al.  
9,010,588 B2 \* 4/2015 Lambrecht ..... B67D 1/0412  
222/399  
D731,223 S \* 6/2015 Hatherell ..... D7/306  
D755,554 S 5/2016 Lazaris et al.  
D778,125 S 2/2017 Metaxatos et al.  
D792,729 S \* 7/2017 Adewuyi ..... D7/306  
D794,401 S \* 8/2017 Chen ..... D7/300  
D795,026 S \* 8/2017 Fouquet ..... D7/665  
D799,879 S \* 10/2017 Shmueli ..... D7/306

(Continued)

(\*\*) Term: **15 Years**

**OTHER PUBLICATIONS**

(21) Appl. No.: **29/662,071**

U.S. Appl. No. 29/662,073, filed Aug. 31, 2018.

(22) Filed: **Aug. 31, 2018**

(Continued)

(51) **LOC (12) Cl.** ..... **07-01**

*Primary Examiner* — Marianne N Pandozzi

(52) **U.S. Cl.**

(74) *Attorney, Agent, or Firm* — Wolf, Greenfield & Sacks, P.C.

USPC ..... **D7/306**; D7/665; D7/300; D7/312

(58) **Field of Classification Search**

USPC ..... D7/665, 300, 306, 312, 313; D8/42;  
222/400.7

CPC ... B65D 83/00; B67D 1/04; D67B 7/00; A47J  
31/36

See application file for complete search history.

(57) **CLAIM**

The ornamental design for a beverage dispenser, as shown and described.

(56) **References Cited**

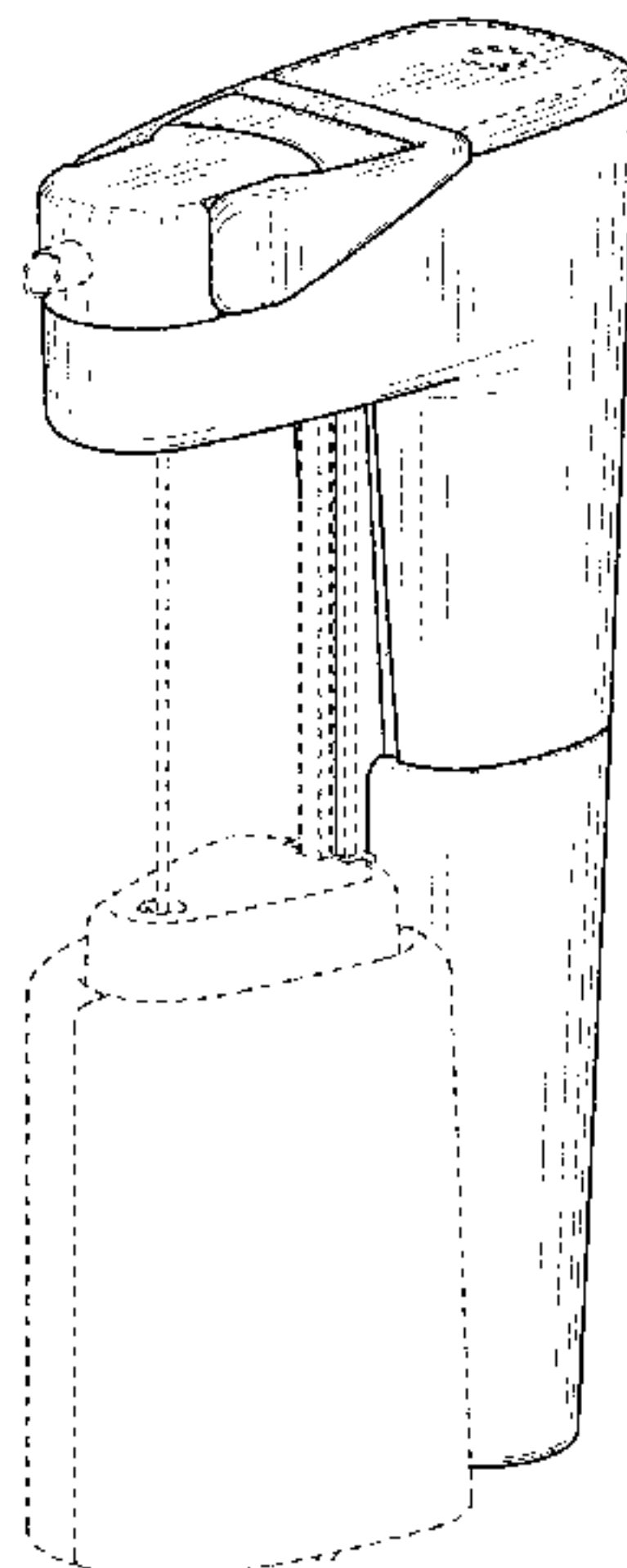
**DESCRIPTION**

**U.S. PATENT DOCUMENTS**

D268,245 S \* 3/1983 Makino ..... 81/3.2  
D276,788 S \* 12/1984 Ravreby ..... D8/42  
D404,604 S \* 1/1999 Pochopien ..... D7/309  
D442,010 S \* 5/2001 Collin ..... D7/300  
D464,241 S \* 10/2002 Sun ..... D8/39  
D471,778 S \* 3/2003 Federighi ..... D8/42  
D477,757 S \* 7/2003 Yu ..... D8/42  
D600,493 S \* 9/2009 Pino ..... D7/306  
D610,388 S \* 2/2010 Hazan ..... D7/306  
7,717,027 B2 \* 5/2010 Sato ..... A47J 31/36  
99/284  
8,033,431 B2 \* 10/2011 Sommerfield ..... B67D 1/0412  
222/129  
D660,072 S \* 5/2012 Makhanlall ..... D7/309

FIG. 1 is a top, front, right side perspective view of a beverage dispenser showing our new design;  
FIG. 2 is a front elevation view thereof;  
FIG. 3 is a right side elevation view thereof;  
FIG. 4 is a top plan view thereof;  
FIG. 5 is a rear elevation view thereof;  
FIG. 6 is a left side elevation view thereof;  
FIG. 7 is a bottom plan view thereof; and,  
FIG. 8 is a top, rear, left side perspective view thereof.  
The broken lines represent portions of the beverage dispenser that form no part of the claimed design.

**1 Claim, 3 Drawing Sheets**



(56)

**References Cited**

U.S. PATENT DOCUMENTS

D801,129 S \* 10/2017 Metaxatos ..... D7/665  
D802,976 S \* 11/2017 Buchik ..... D7/313  
D816,383 S \* 5/2018 Liang ..... D7/310  
D849,463 S \* 5/2019 Rider et al. .... D7/306  
D851,438 S \* 6/2019 Rider ..... D7/306  
2014/0183227 A1\* 7/2014 Barnini ..... B67D 1/0412  
222/152  
2017/0312706 A1\* 11/2017 Song ..... A47J 31/46  
2018/0177329 A1\* 6/2018 Segiet ..... A47J 31/4403

OTHER PUBLICATIONS

U.S. Appl. No. 29/662,070, filed Aug. 31, 2018.  
U.S. Appl. No. 29/662,068, filed Aug. 31, 2018.  
U.S. Appl. No. 29/664,341, filed Sep. 24, 2018.  
U.S. Appl. No. 29/664,346, filed Sep. 24, 2018.

\* cited by examiner

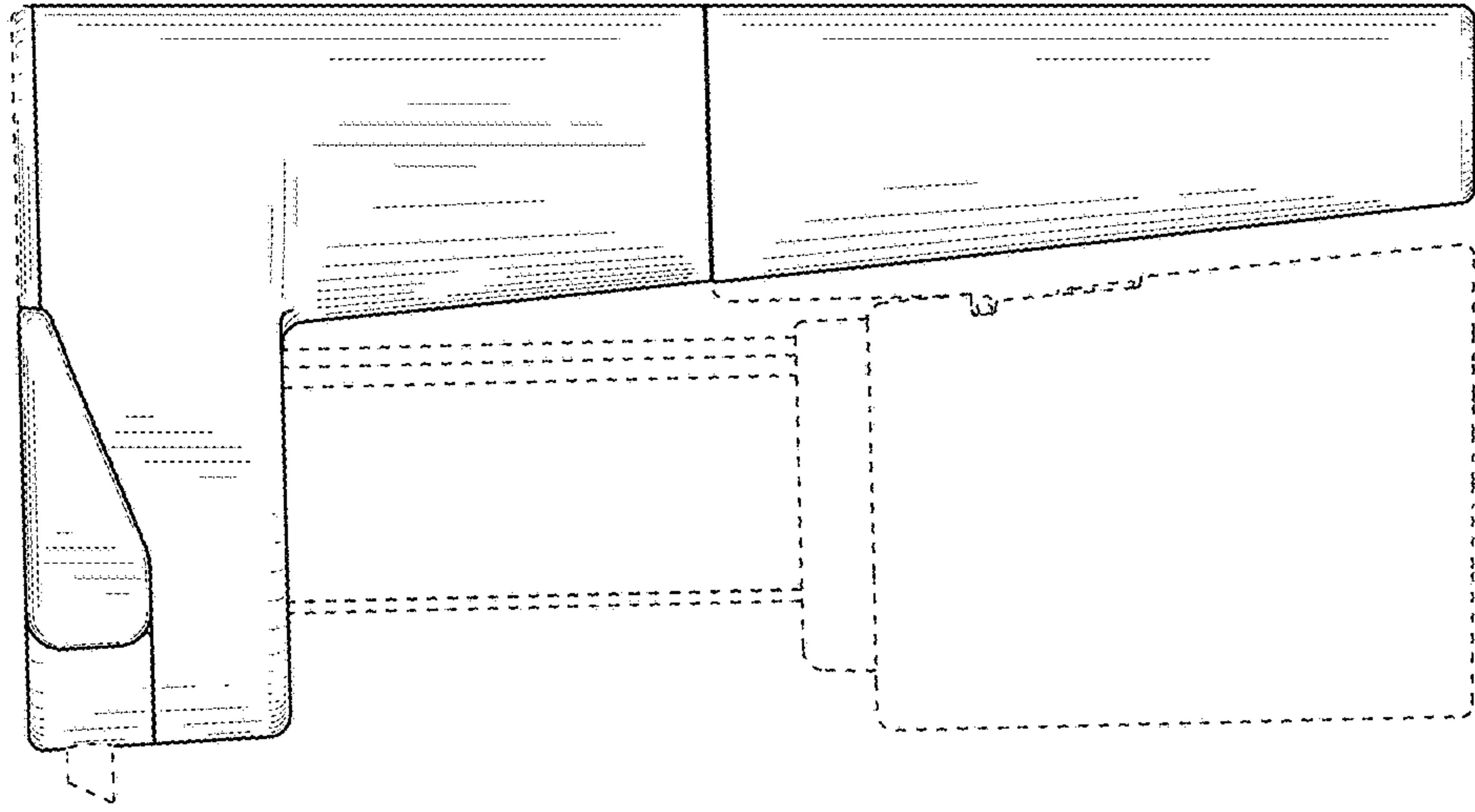
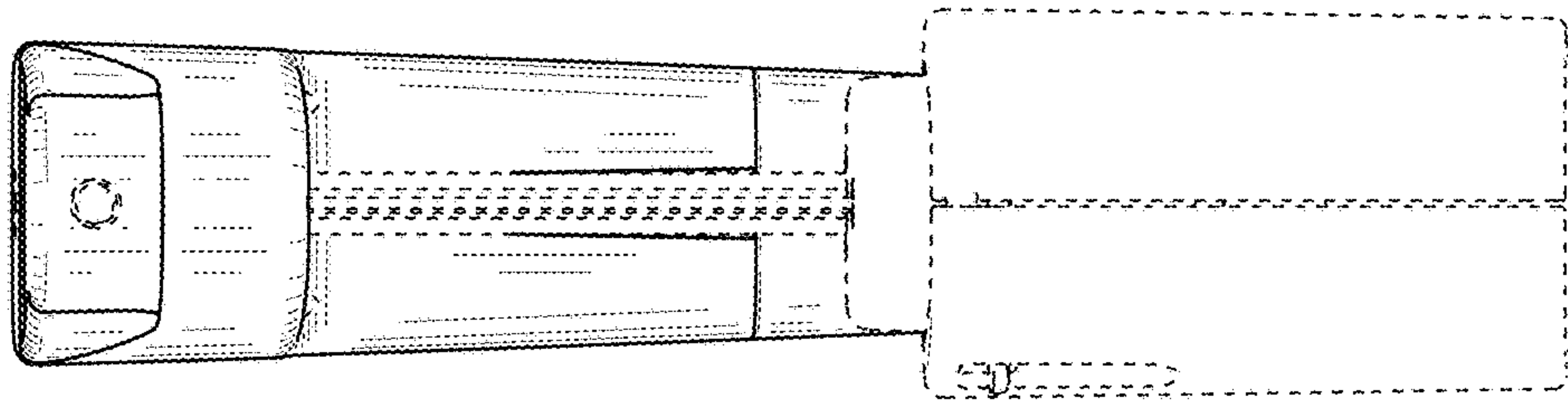
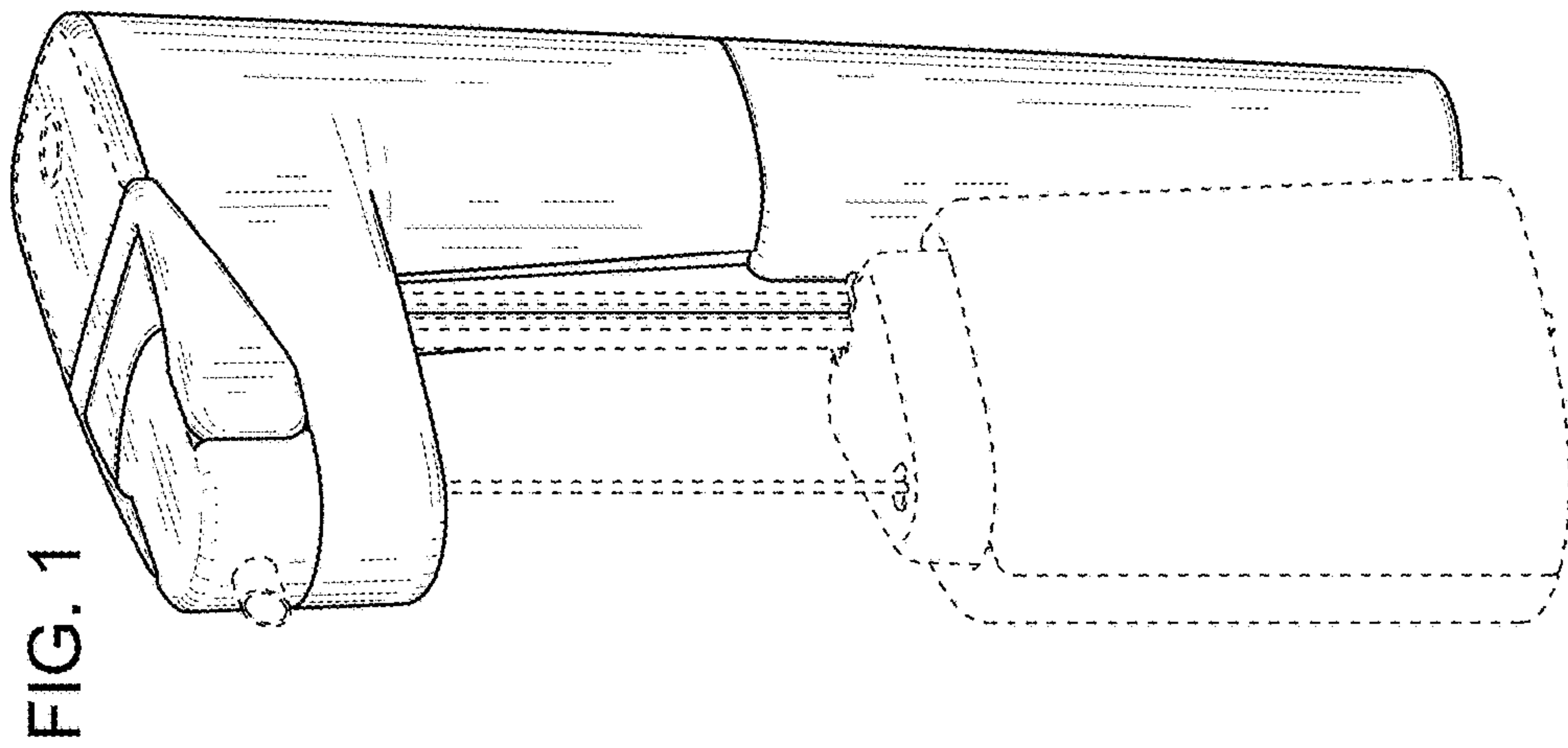


FIG. 4

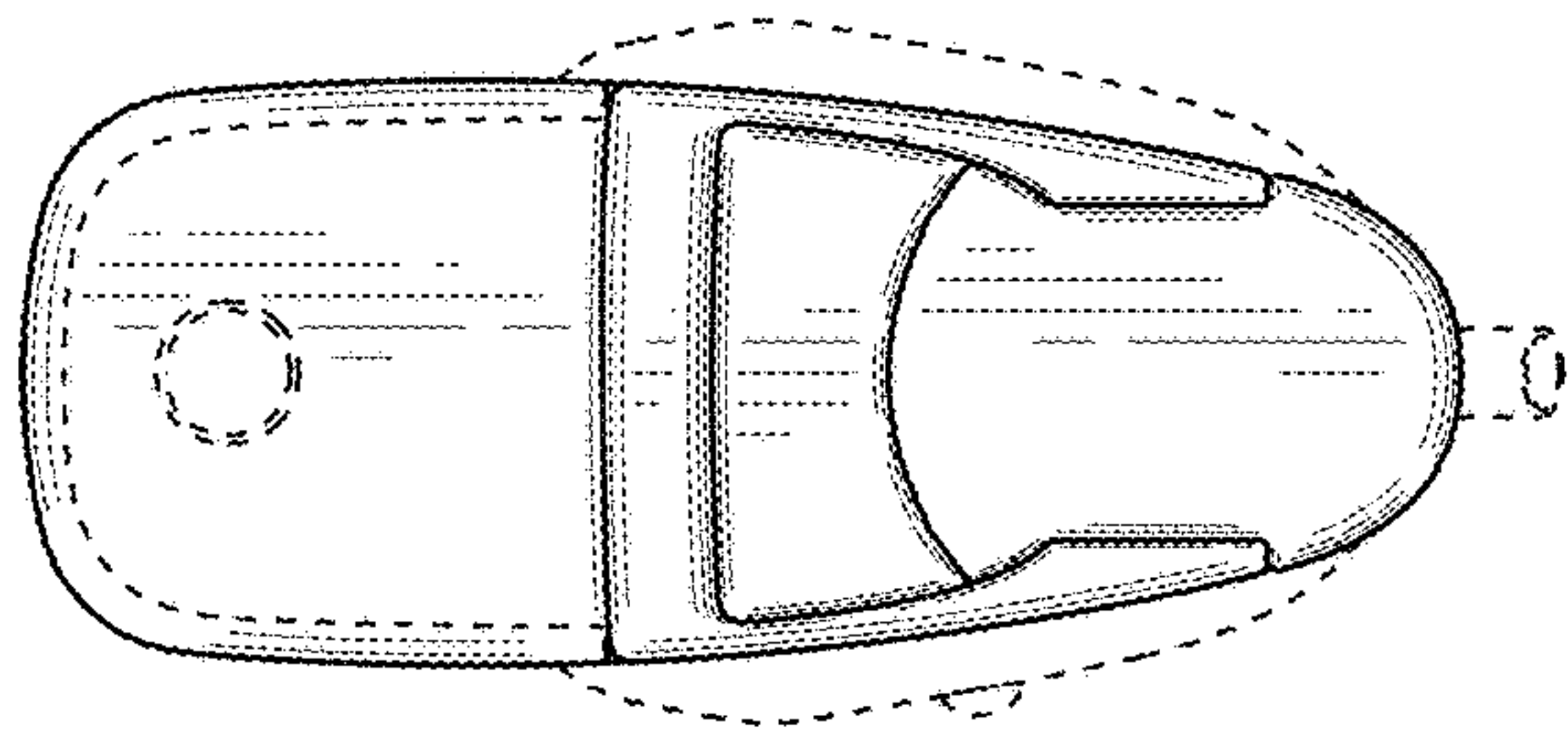


FIG. 6

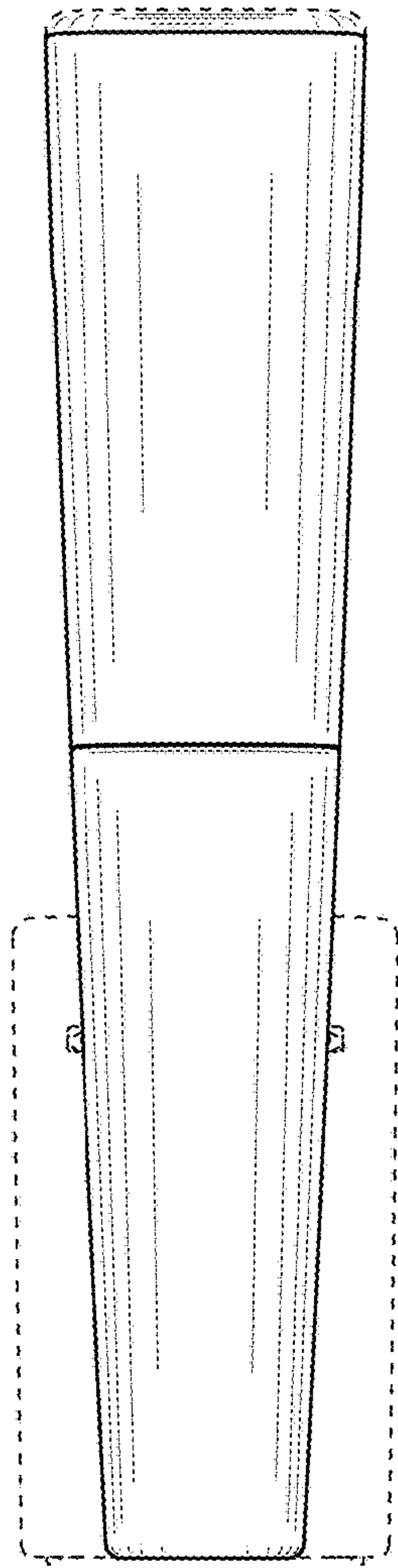
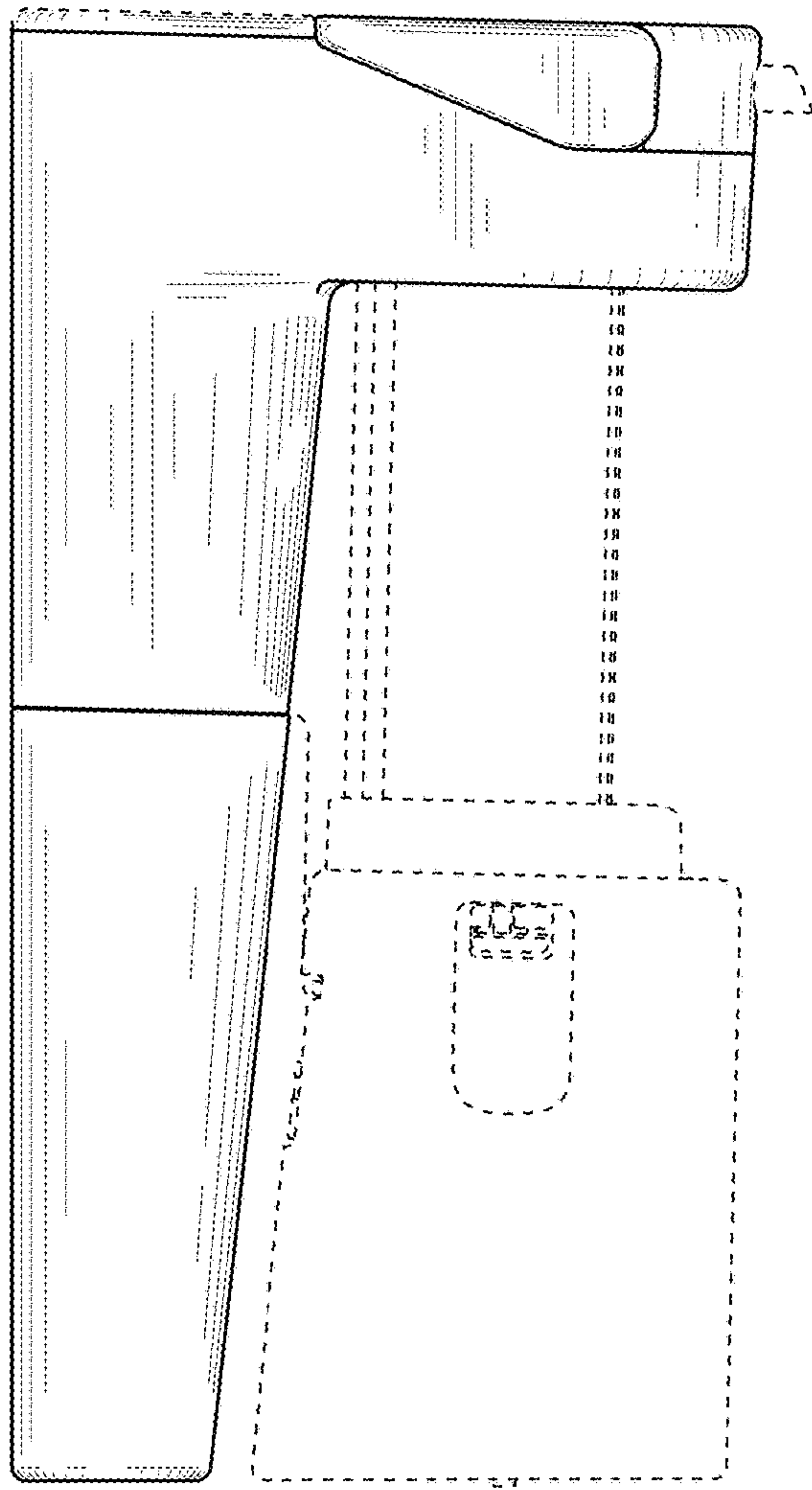
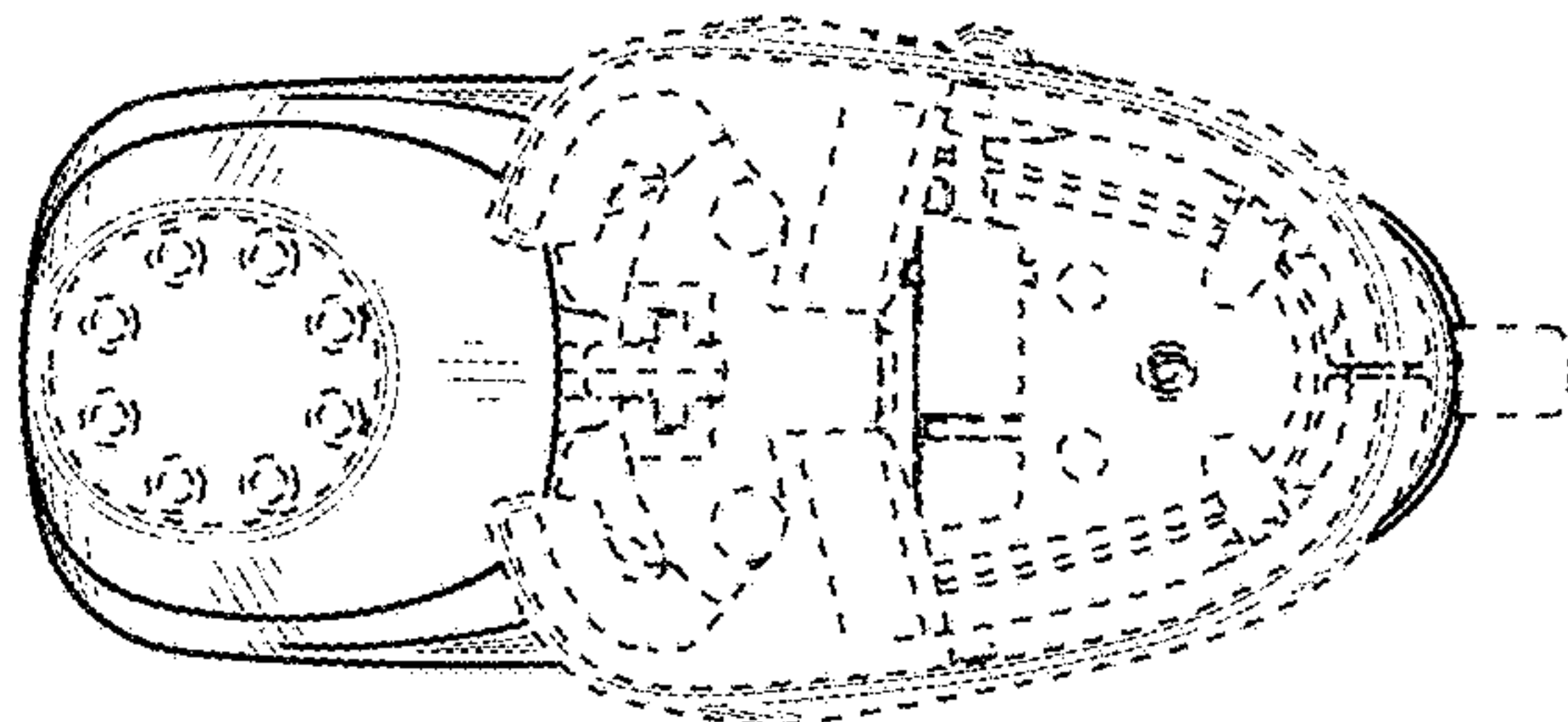


FIG. 5

FIG. 7





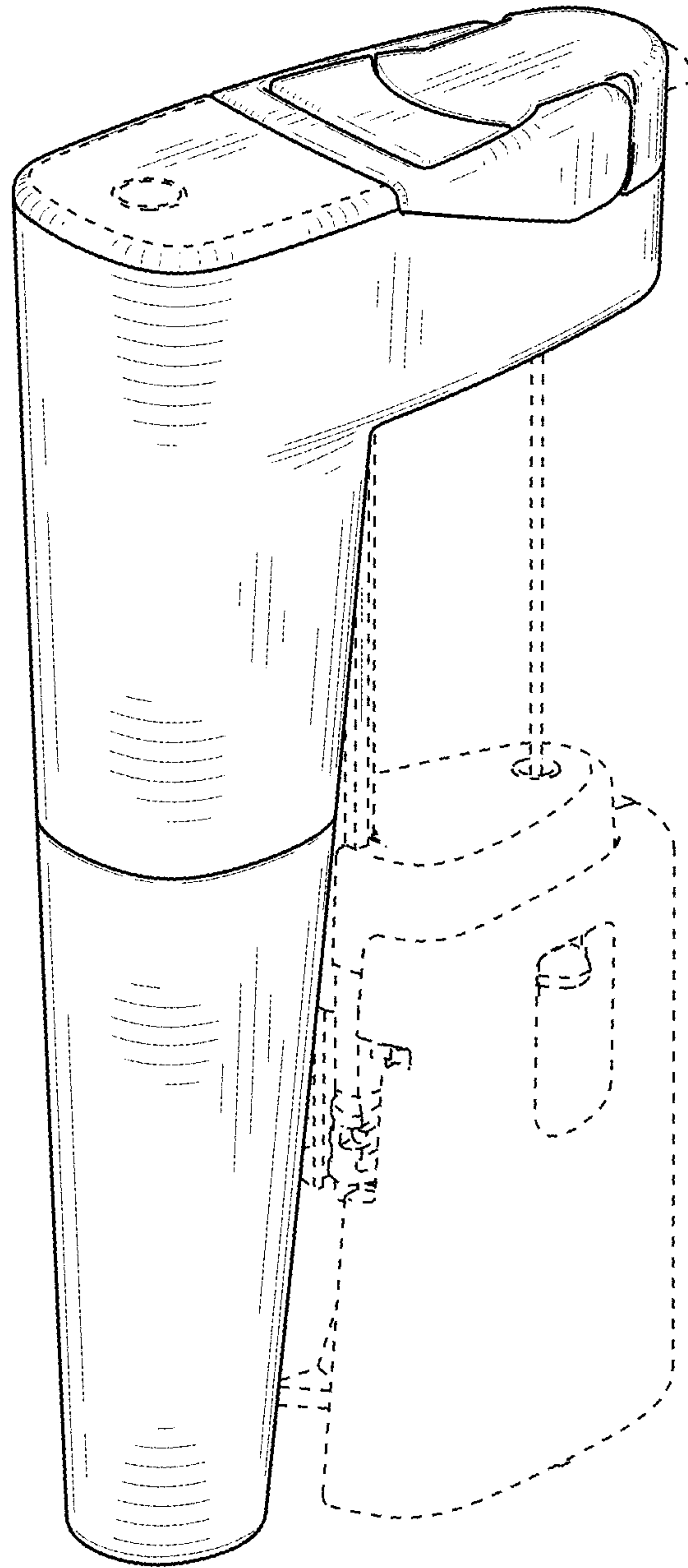


FIG. 8