

US00D868520S

(12) **United States Design Patent**
Fuller

(10) **Patent No.:** **US D868,520 S**

(45) **Date of Patent:** **** Dec. 3, 2019**

- (54) **HEADBOARD OR FOOTBOARD**
- (71) Applicant: **Angelina Fuller**, Savannah, GA (US)
- (72) Inventor: **Angelina Fuller**, Savannah, GA (US)
- (**) Term: **15 Years**
- (21) Appl. No.: **29/658,316**
- (22) Filed: **Jul. 30, 2018**
- (51) **LOC (12) Cl.** **06-06**
- (52) **U.S. Cl.**
USPC **D6/718.13**
- (58) **Field of Classification Search**
USPC D6/382-384, 389, 393-395, 718.13,
D6/718.19, 718.23; D21/520
CPC A47C 19/00; A47C 19/005; A47C 19/021;
A47C 19/022; A47C 19/024; A47C
19/04; A47C 19/122
See application file for complete search history.

- 2,734,203 A * 2/1956 Rosen A47C 19/022
5/285
- 3,116,569 A * 1/1964 Kramer B29C 51/16
29/91.1
- D225,277 S * 11/1972 Leigh D6/610
- 3,736,603 A * 6/1973 Rothman A47C 19/022
5/53.1
- 4,856,127 A * 8/1989 Lenger A47C 19/022
5/53.1
- D394,168 S * 5/1998 Hutton D6/393
- D464,496 S * 10/2002 Berry, Jr. D6/393
- D744,042 S * 11/2015 Kreindel D20/99

* cited by examiner

Primary Examiner — Cathron C Brooks

(57) **CLAIM**

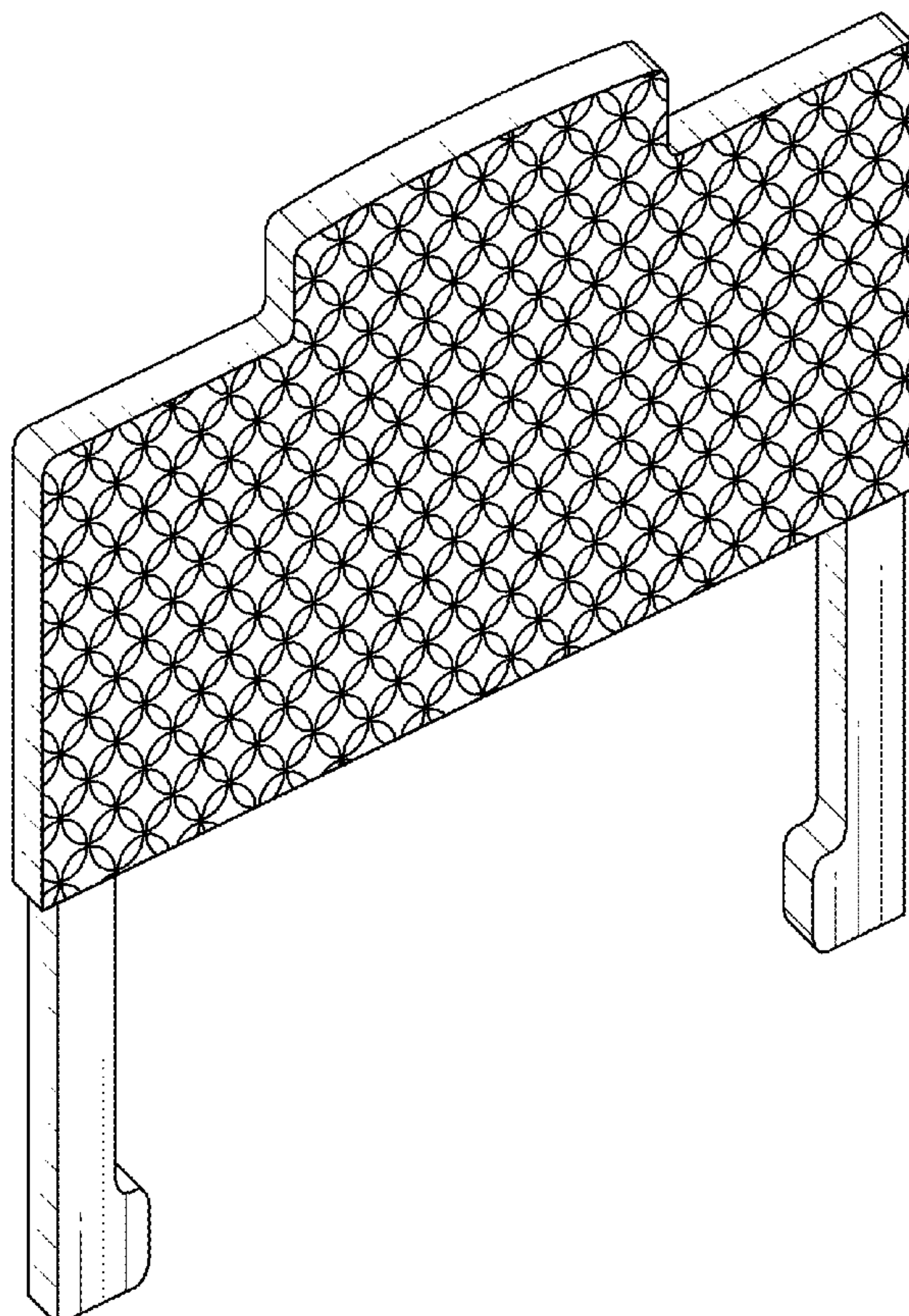
The ornamental design for headboard or footboard, as shown and described.

DESCRIPTION

FIG. 1 is an isometric view of a headboard or footboard showing my new design;
 FIG. 2 is a front view thereof;
 FIG. 3 is a rear view thereof;
 FIG. 4 is a left side view thereof;
 FIG. 5 is a right side view thereof;
 FIG. 6 is a top view thereof; and,
 FIG. 7 is a bottom view thereof showing my design.

1 Claim, 3 Drawing Sheets

- (56) **References Cited**
U.S. PATENT DOCUMENTS
D78,856 S * 6/1929 Stuart D6/718.13
D103,092 S * 2/1937 Braun D6/393
D114,896 S * 5/1939 Hobson D6/393
2,687,537 A * 8/1954 Wallace A47C 19/022
5/280



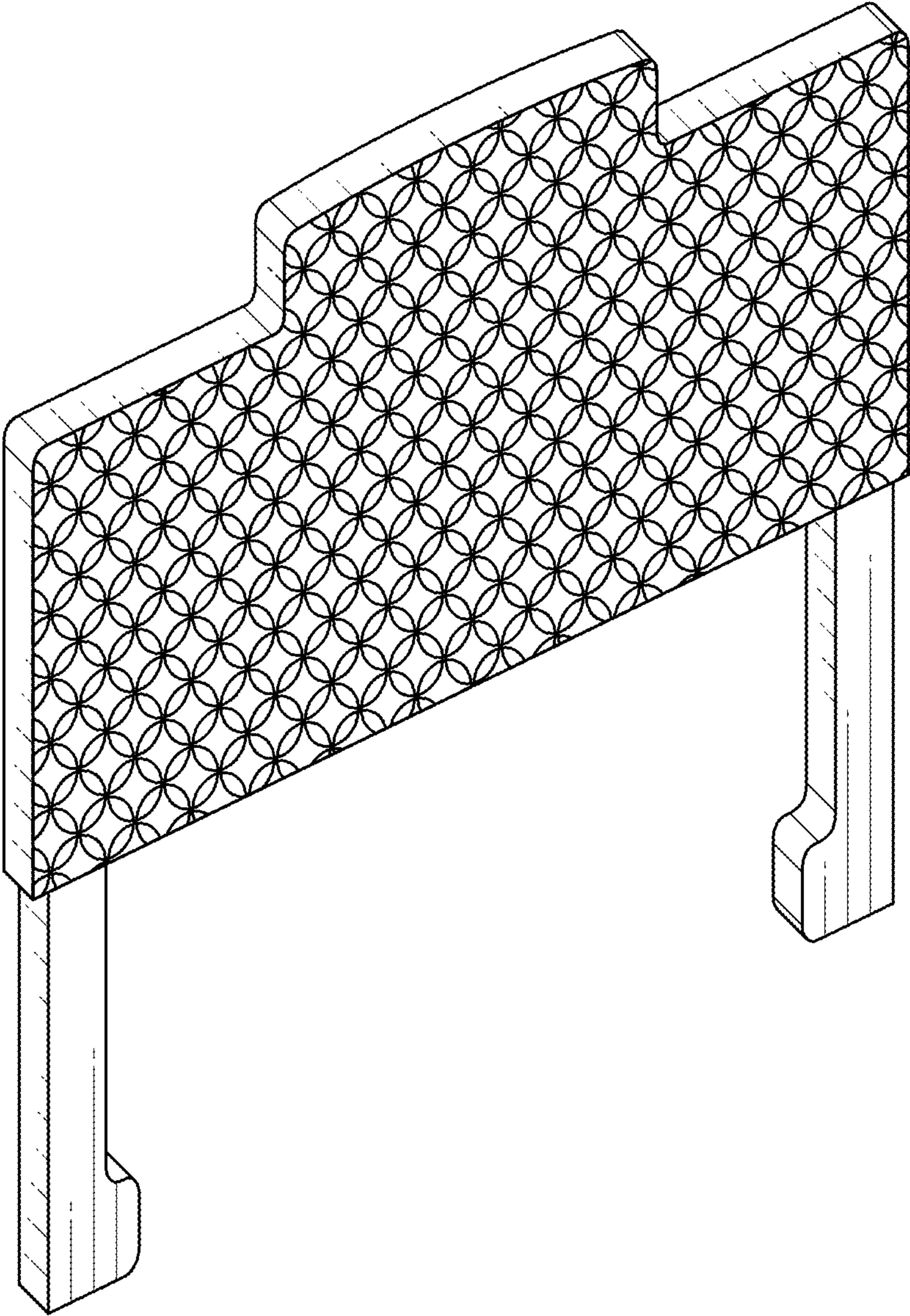


FIG. 1

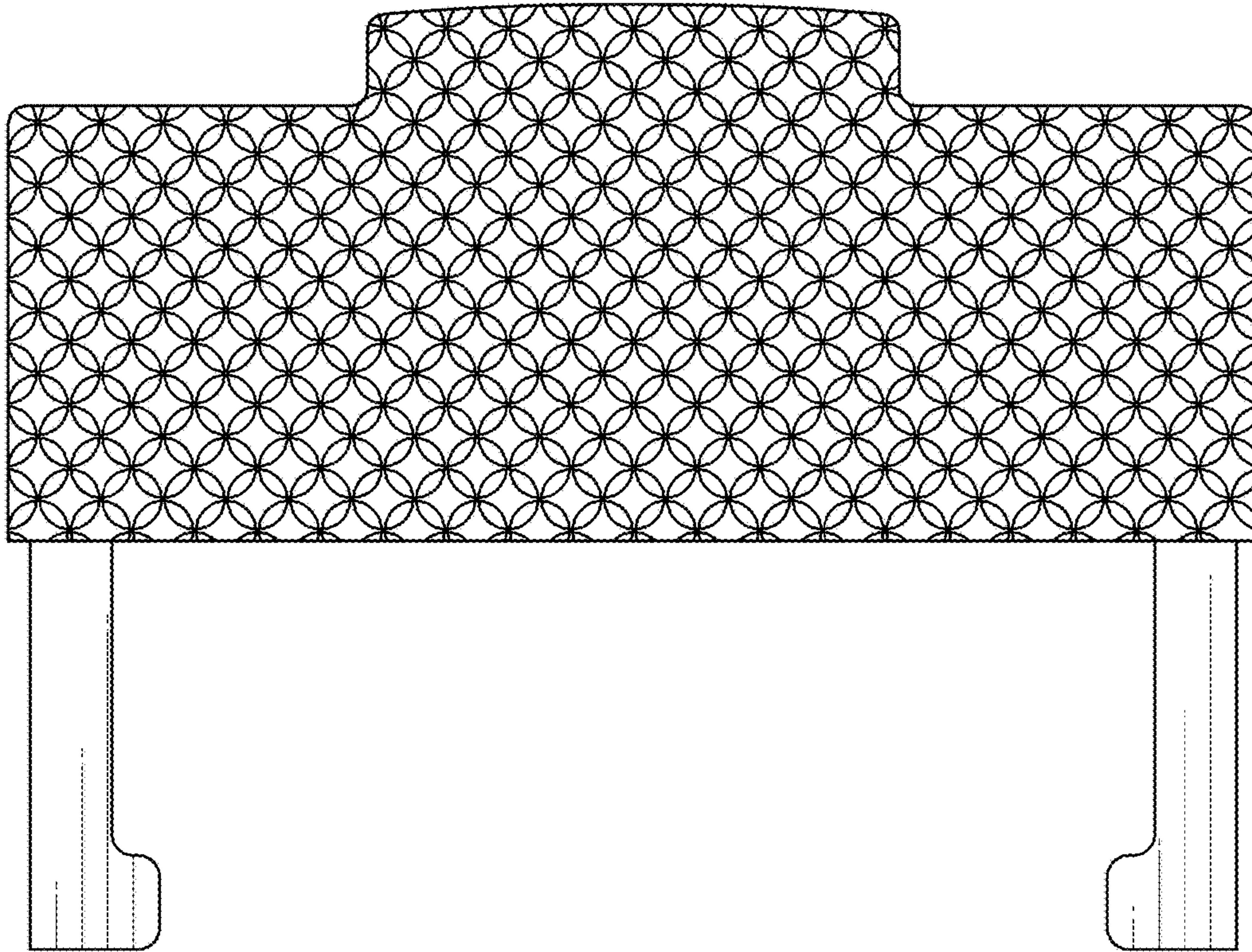


FIG. 2

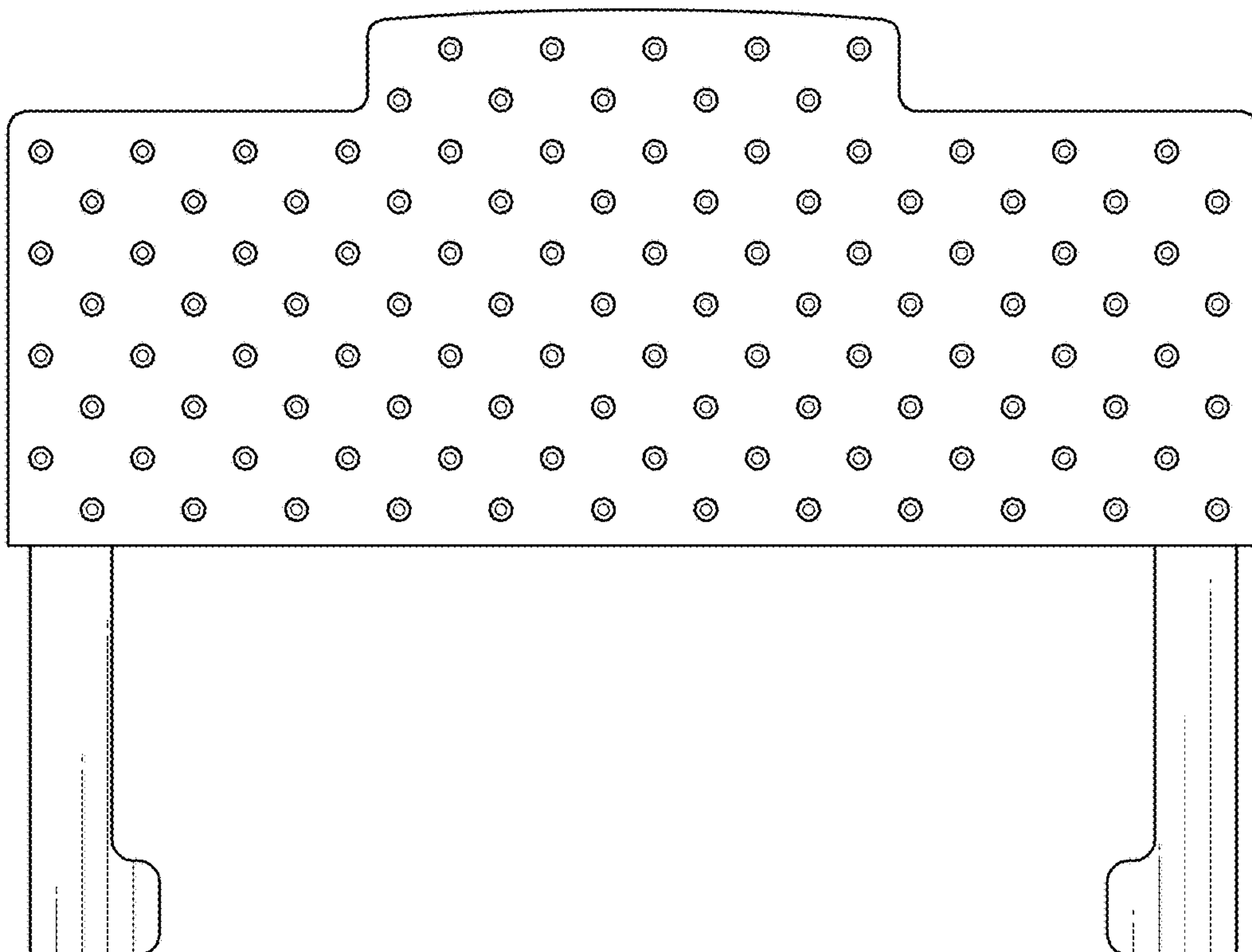


FIG. 3



FIG. 4

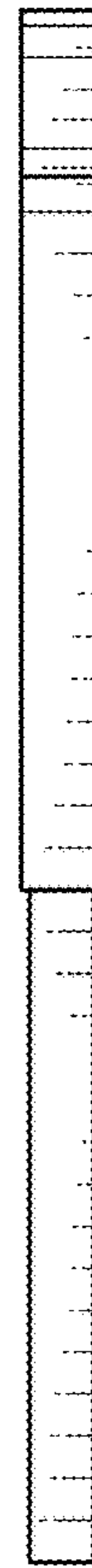


FIG. 5

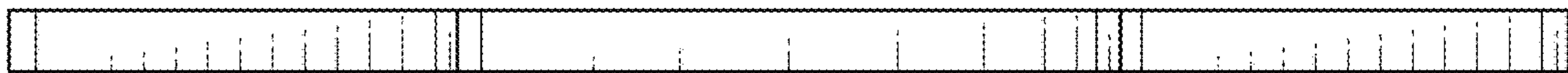


FIG. 6



FIG. 7