



US00D868518S

(12) **United States Design Patent**
Tamura

(10) **Patent No.:** **US D868,518 S**
(45) **Date of Patent:** **** Dec. 3, 2019**

- (54) **BENCH**
- (71) Applicant: **HBF**, Hickory, NC (US)
- (72) Inventor: **Nao Tamura**, Brooklyn, NY (US)
- (73) Assignee: **HBF**, Hickory, NC (US)
- (**) Term: **15 Years**
- (21) Appl. No.: **29/660,671**
- (22) Filed: **Aug. 22, 2018**

D584,074 S	1/2009	Gadzinski et al.	
D596,872 S	7/2009	Seitz	
D650,612 S	12/2011	Frinier	
D684,799 S *	6/2013	Kong	D6/653.18
D704,941 S	5/2014	Anderson et al.	
8,820,826 B2 *	9/2014	Dickey	A47B 3/14 297/121
D759,395 S	6/2016	Hashemi	
D778,088 S	2/2017	Hiyoshi et al.	
D782,228 S *	3/2017	Gharabegian	D6/691
D802,945 S	11/2017	Rivera, Jr. et al.	
D829,008 S *	9/2018	Tamura	D6/335

Related U.S. Application Data

- (63) Continuation of application No. 29/606,570, filed on Jun. 6, 2017, now Pat. No. Des. 829,008.
- (51) **LOC (12) Cl.** **06-06**
- (52) **U.S. Cl.**
USPC **D6/716**
- (58) **Field of Classification Search**
USPC D6/334-338, 340-343, 349-353, 355,
D6/365-365, 691-691.9, 692-692.6,
D6/716-716.1; D25/65
CPC A47B 7/00-02; A47C 11/00; A47C 12/00;
A47C 13/00; A47C 16/00; A47C
16/02-04; A47C 9/00-105; A47K 17/02;
A47K 17/028

See application file for complete search history.

(56) **References Cited**

U.S. PATENT DOCUMENTS

D192,913 S	5/1962	Wilson	
D251,460 S	4/1979	Albert	
D257,916 S	1/1981	Shelton	
D272,108 S	1/1984	Morris, Jr.	
D288,507 S	3/1987	Evans	
D428,713 S	8/2000	Arko et al.	
D467,102 S *	12/2002	Martin	D6/716
D473,724 S	4/2003	Hans De Wit	
D568,622 S	5/2008	Little et al.	

OTHER PUBLICATIONS

Best of NeoCon 2017 Surface. [online] Published Jun. 14, 2017. Retrieved Apr. 6, 2018 from URL: <http://www.surfacemag.com/articles/best-of-neocon-2017/>.

* cited by examiner

Primary Examiner — Vy N Koenig

(74) *Attorney, Agent, or Firm* — Faegre Baker Daniels LLP

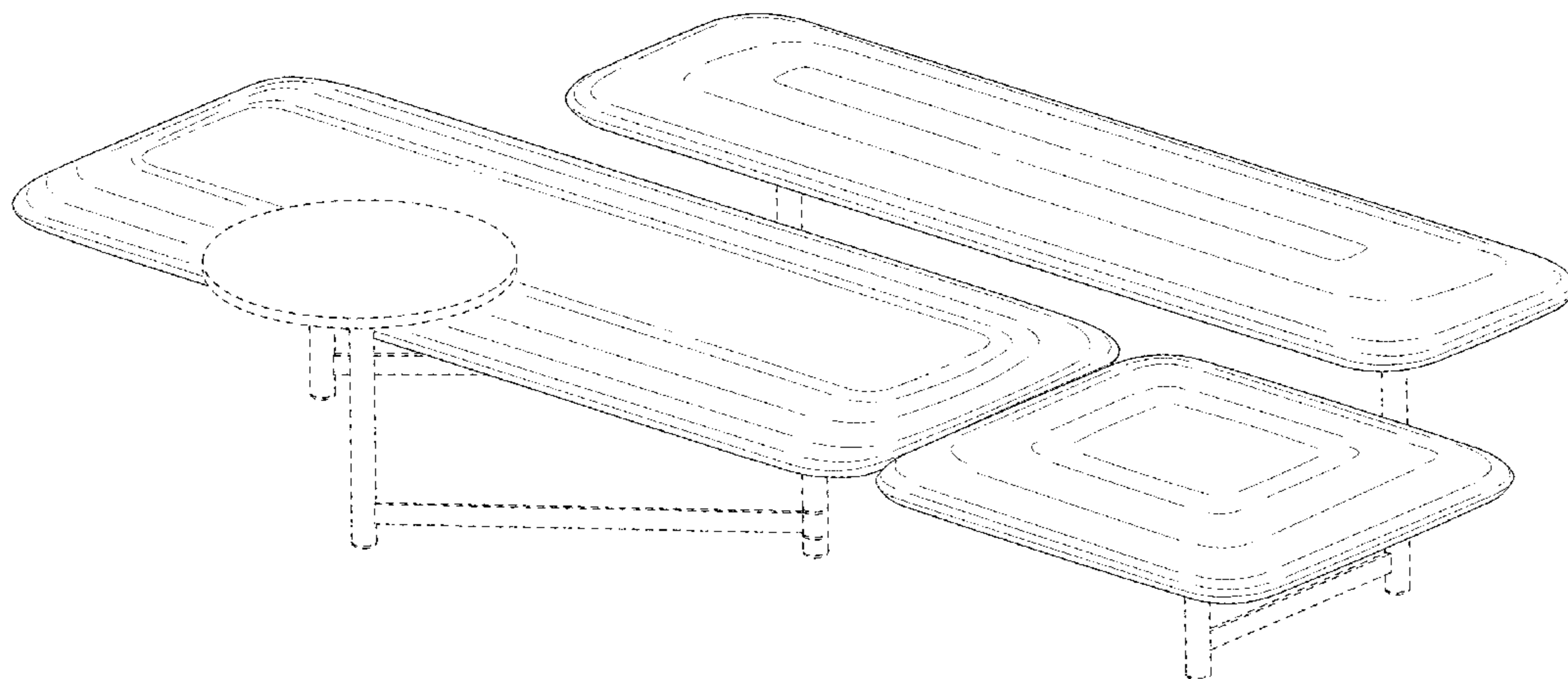
(57) **CLAIM**

The ornamental design for a bench, as shown and described.

DESCRIPTION

FIG. 1 is a front, top and right perspective view of a bench showing my new design.
 FIG. 2 is a front, bottom and left perspective view thereof.
 FIG. 3 is a front view thereof.
 FIG. 4 is a back view thereof.
 FIG. 5 is a left side view thereof.
 FIG. 6 is a right side view thereof.
 FIG. 7 is a top view thereof; and,
 FIG. 8 is a bottom view thereof.
 The broken lines in the drawings depict portions of the bench that form no part of the claimed design.

1 Claim, 8 Drawing Sheets



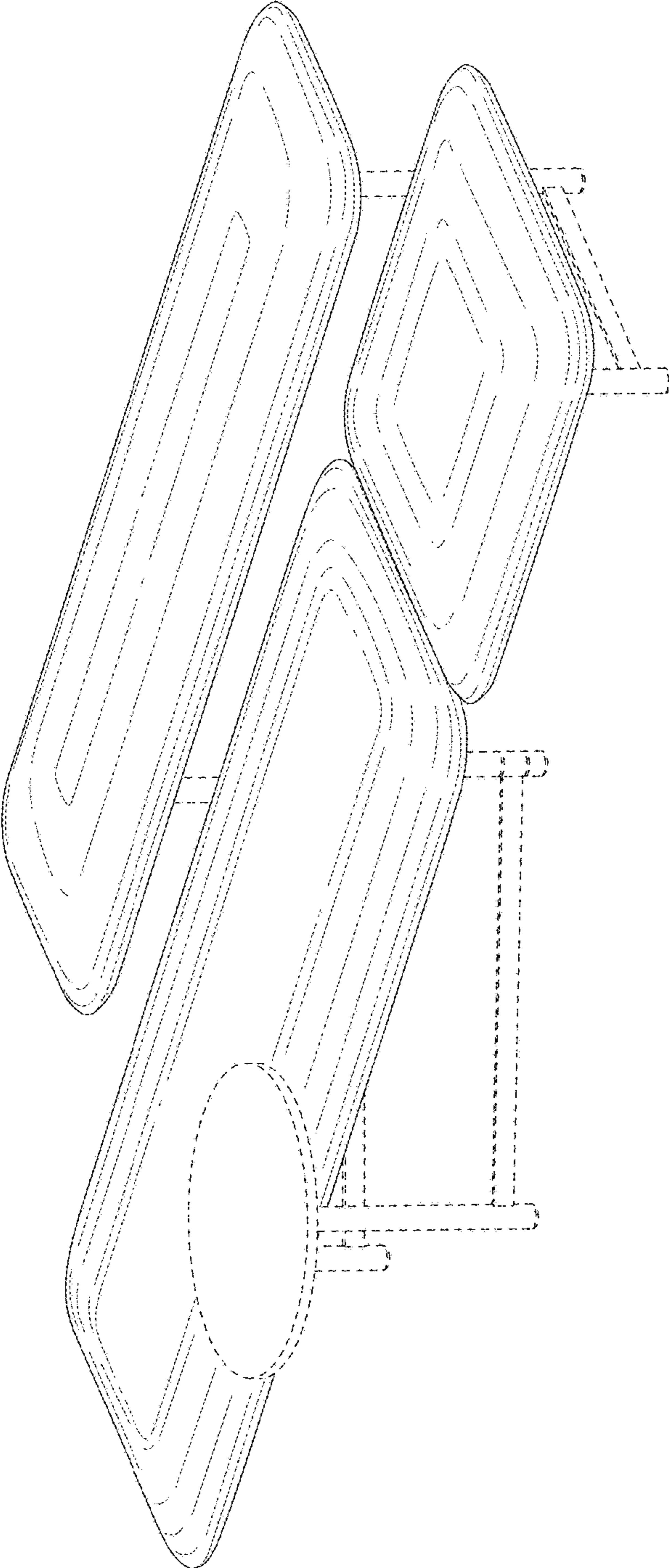


FIG. 1

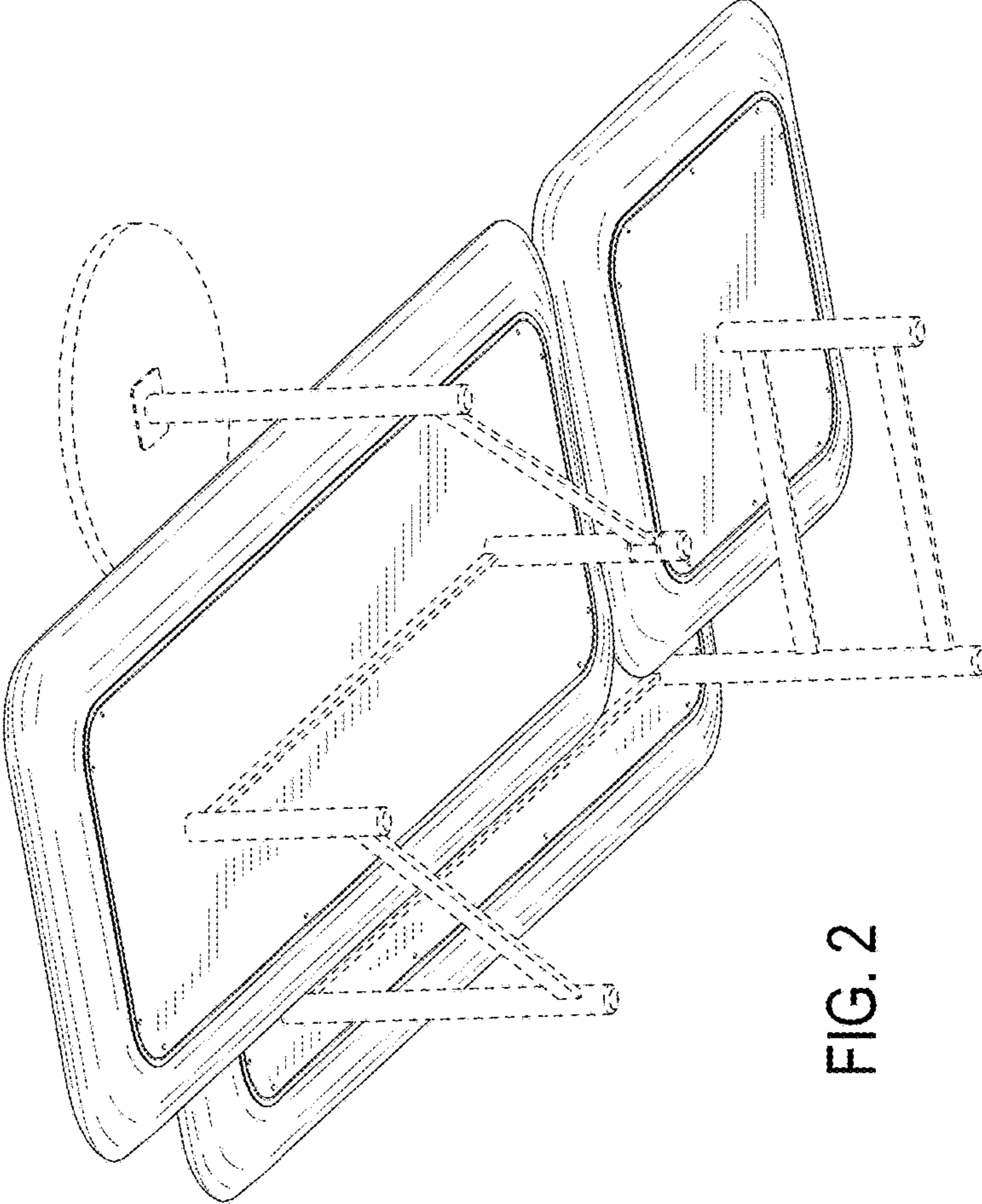


FIG. 2

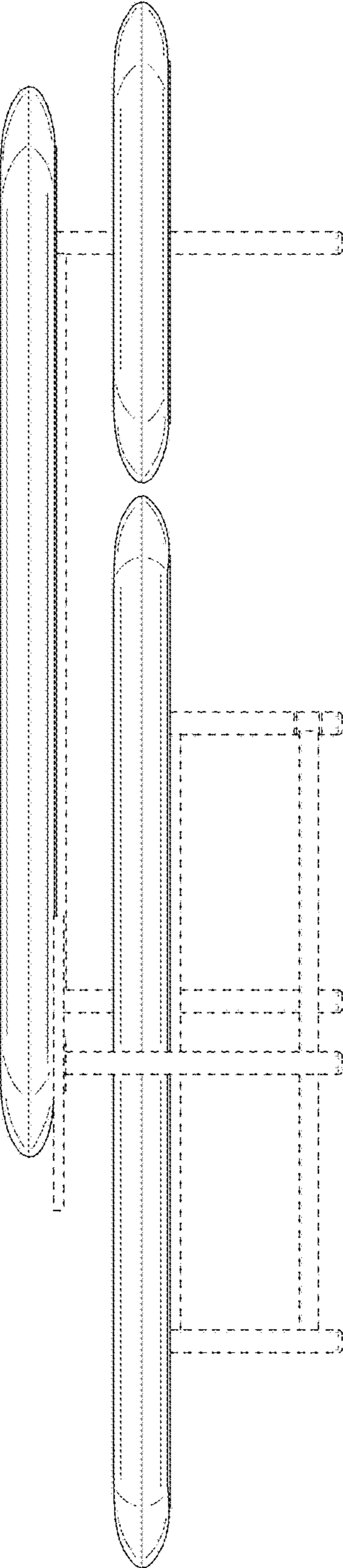


FIG. 3

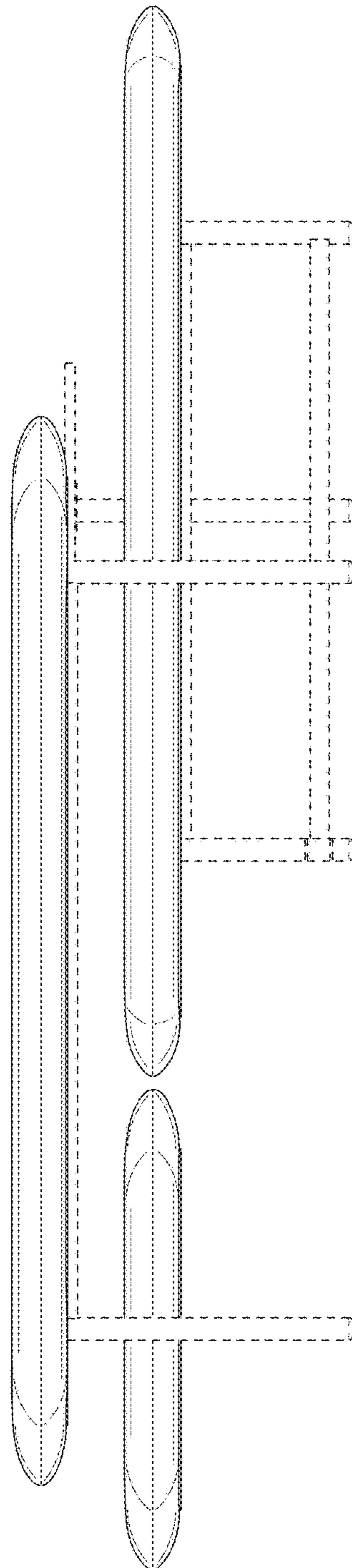


FIG. 4

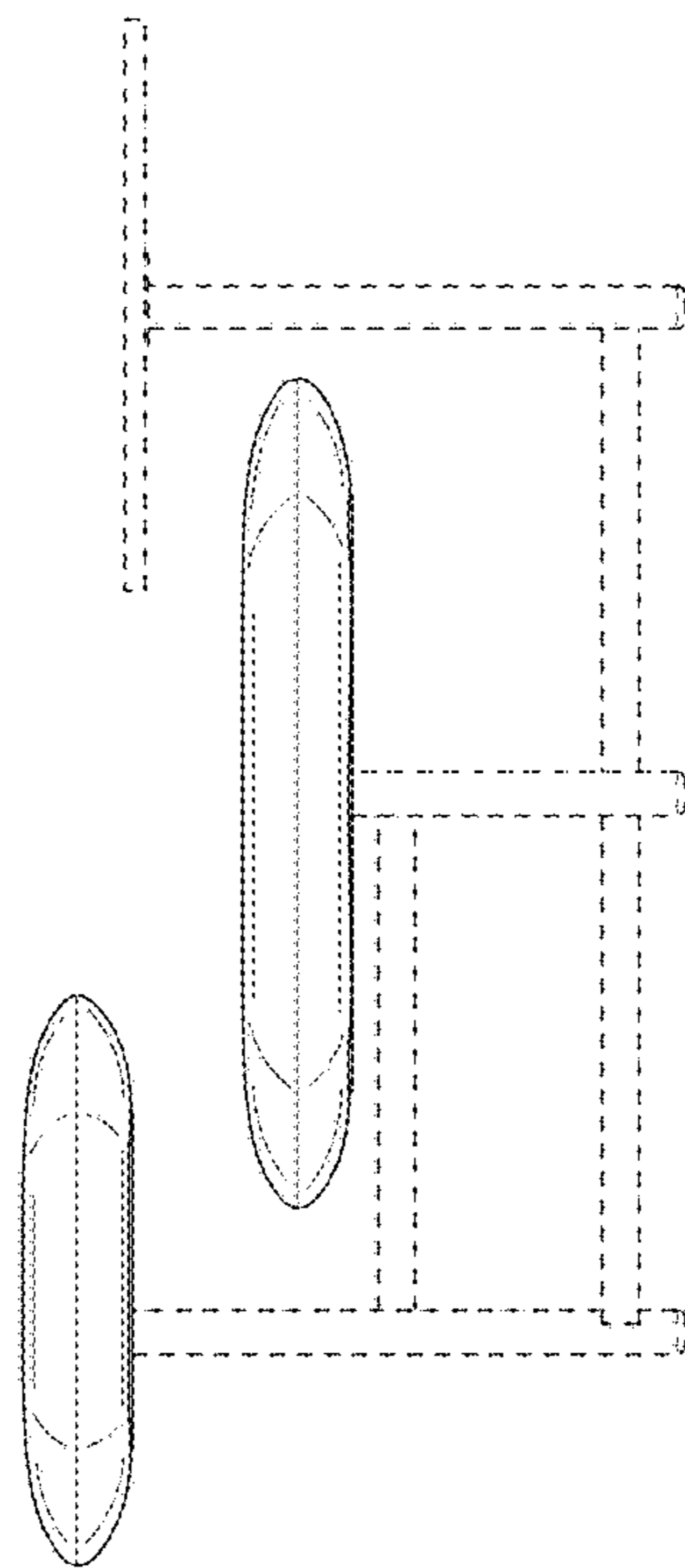


FIG. 5

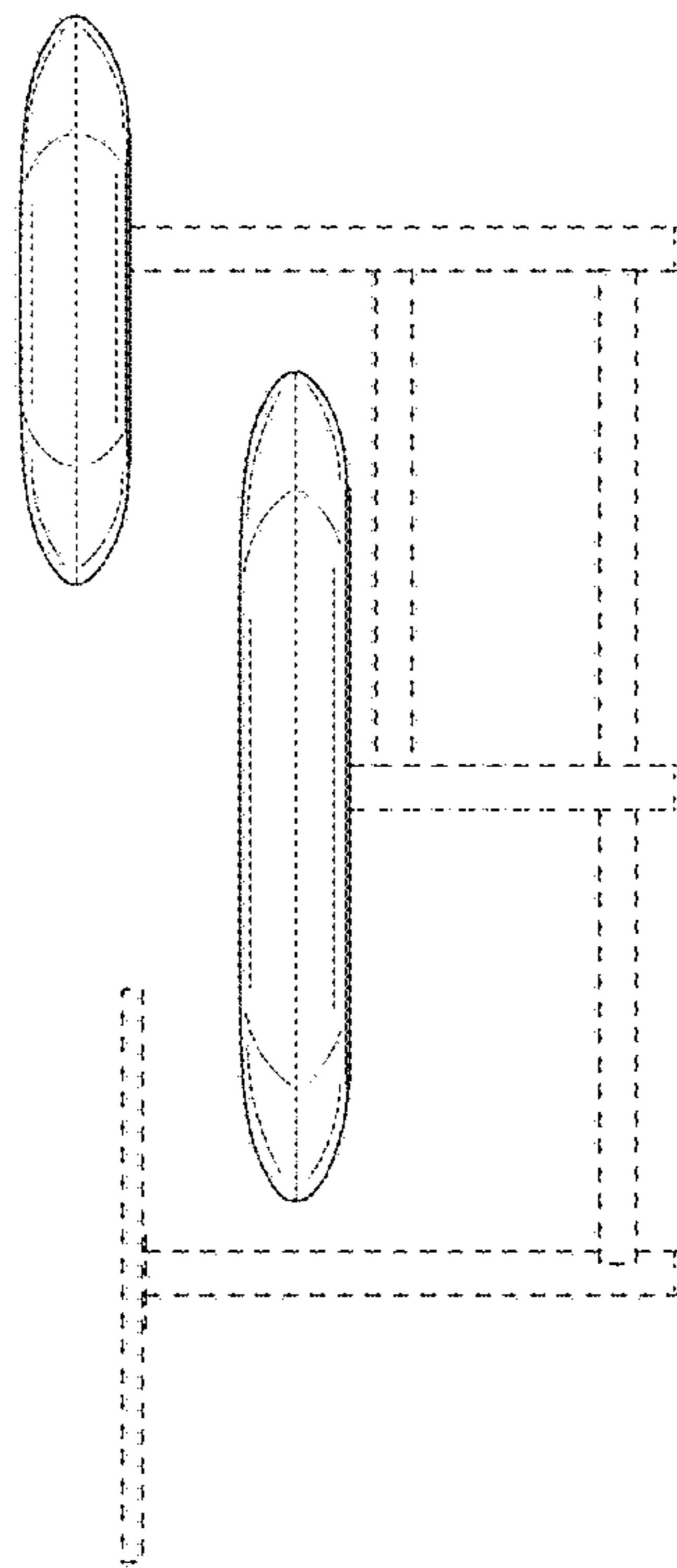


FIG. 6

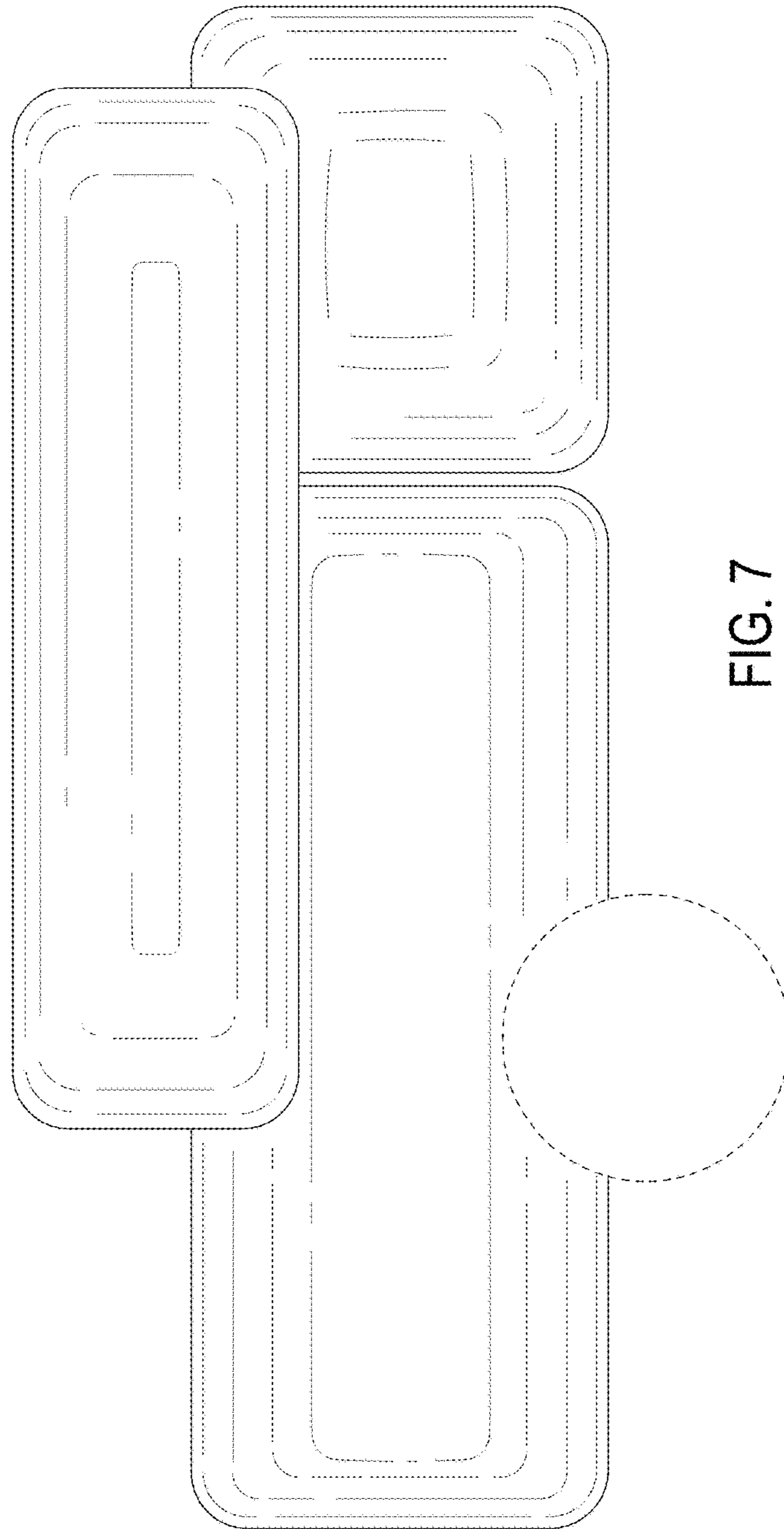


FIG. 7

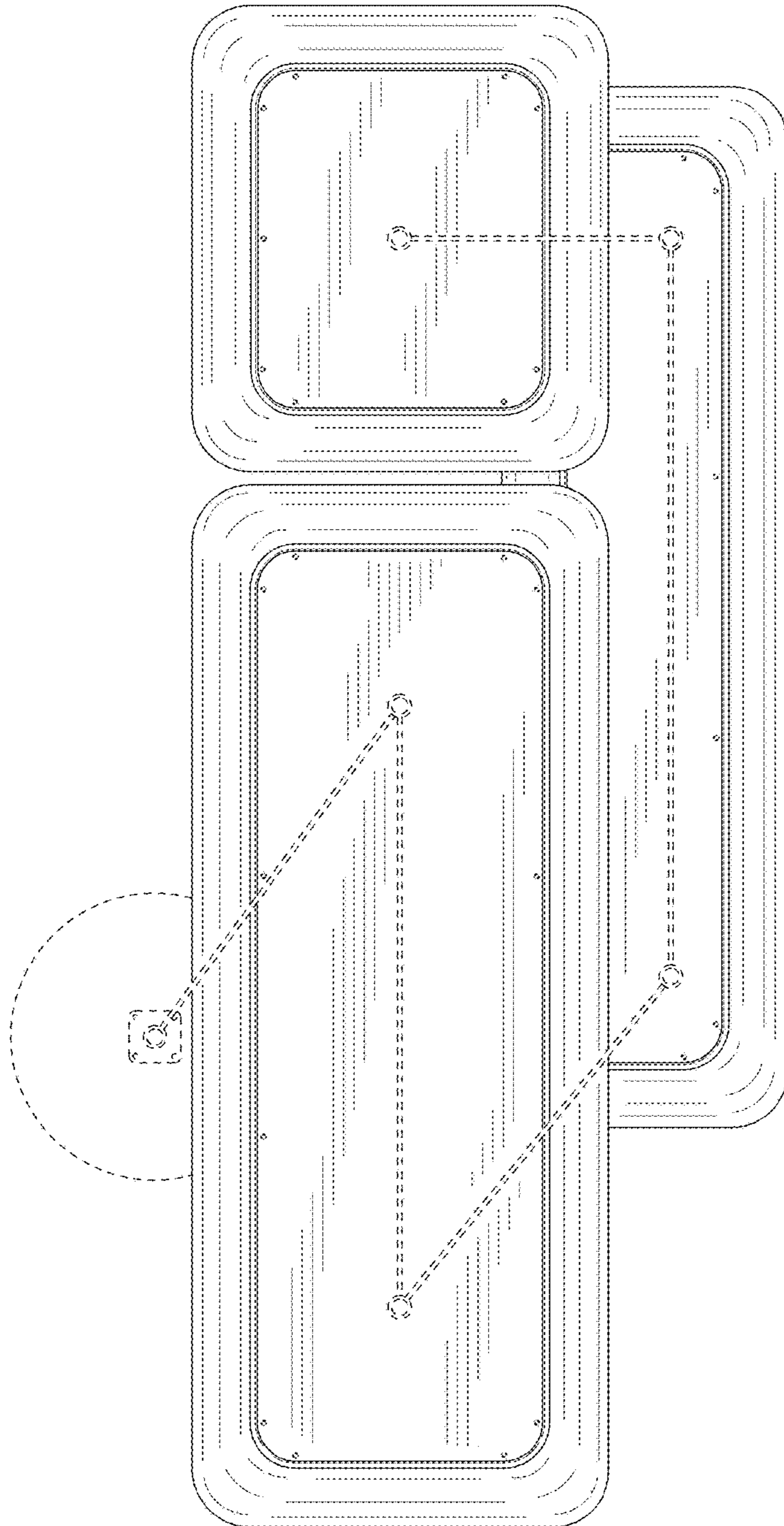


FIG. 8