



US00D868517S

(12) **United States Design Patent** (10) **Patent No.:** **US D868,517 S**
Légaré (45) **Date of Patent:** **** Dec. 3, 2019**

(54) TABLE BASE	4,498,656 A *	2/1985	Arild	A47C 9/002 248/188.1
(71) Applicant: TABLES MODULAIRES POSITIONNELLES 2008 INC., Drummondville (CA)	5,137,237 A *	8/1992	Haskins	A47B 91/00 248/188.7
	D551,867 S *	10/2007	Yusuf	A47B 3/00 D6/366
(72) Inventor: Marc-Antoine Légaré, Drummondville (CA)	D734,969 S	7/2015	Légaré	
	D737,614 S	9/2015	Légaré	
	D847,550 S *	5/2019	Légaré	D6/710
(73) Assignee: TABLES MODULAIRES POSITIONNELLES 2008 INC., Drummondville (CA)	2016/0008070 A1 *	1/2016	Choudhury	A47B 3/00 108/106
	2016/0270530 A1 *	9/2016	Heyring	A47B 91/16
	2017/0065074 A1 *	3/2017	Ilse	A47B 3/0803

(**) Term: **15 Years**

(21) Appl. No.: **29/625,232**

(22) Filed: **Nov. 8, 2017**

(51) **LOC (12) Cl.** **06-06**

(52) **U.S. Cl.**
USPC **D6/708.23; D6/708.16**

(58) **Field of Classification Search**
USPC D6/641, 644, 653.11, 653.14, 653.21,
D6/654.11, 654.14, 654.21, 655.11,
D6/655.14, 656.12, 656.13, 685, 688.14,
D6/688.15, 691.5, 691.6, 692.4, 693.1,
D6/695.3, 695.4, 696.2, 696.3, 697.1,
D6/702, 708, 708.16, 708.22, 708.23,
D6/709, 709.2, 709.22, 709.1, 710
CPC A47B 7/00; A47B 13/00; A47B 13/02;
A47B 13/023; A47B 91/00; A47B
91/005; A47B 97/00; A47B 2200/002;
A47B 2200/027

See application file for complete search history.

(56) **References Cited**

U.S. PATENT DOCUMENTS

1,930,742 A *	10/1933	Saussure, Jr.	A47B 13/023 108/150
3,895,771 A *	7/1975	Baum	A47B 13/023 108/150

OTHER PUBLICATIONS

Ergolab, Table, <http://www.ergolab.ca/medical/tables2.html>, Oct. 2013.
 Solu-Tables (MC)—Ergolab, pp. 1-3, Oct. 20, 2016, <http://ergolab.ca/product/solu-tables/>.
 Table d'assistance rectangulaire 4 places—TDR*4 image, Oct. 17, 2016, Tables modulaires positionnelles-MultiPositional Tables, Canada, <http://tablesmodulaires.com/wp-content/uploads/2016/05/TDR4.jpg>.

* cited by examiner

Primary Examiner — Mary Ann Calabrese
(74) *Attorney, Agent, or Firm* — Lavery, De Billy, LLP;
Gwendoline Bruneau

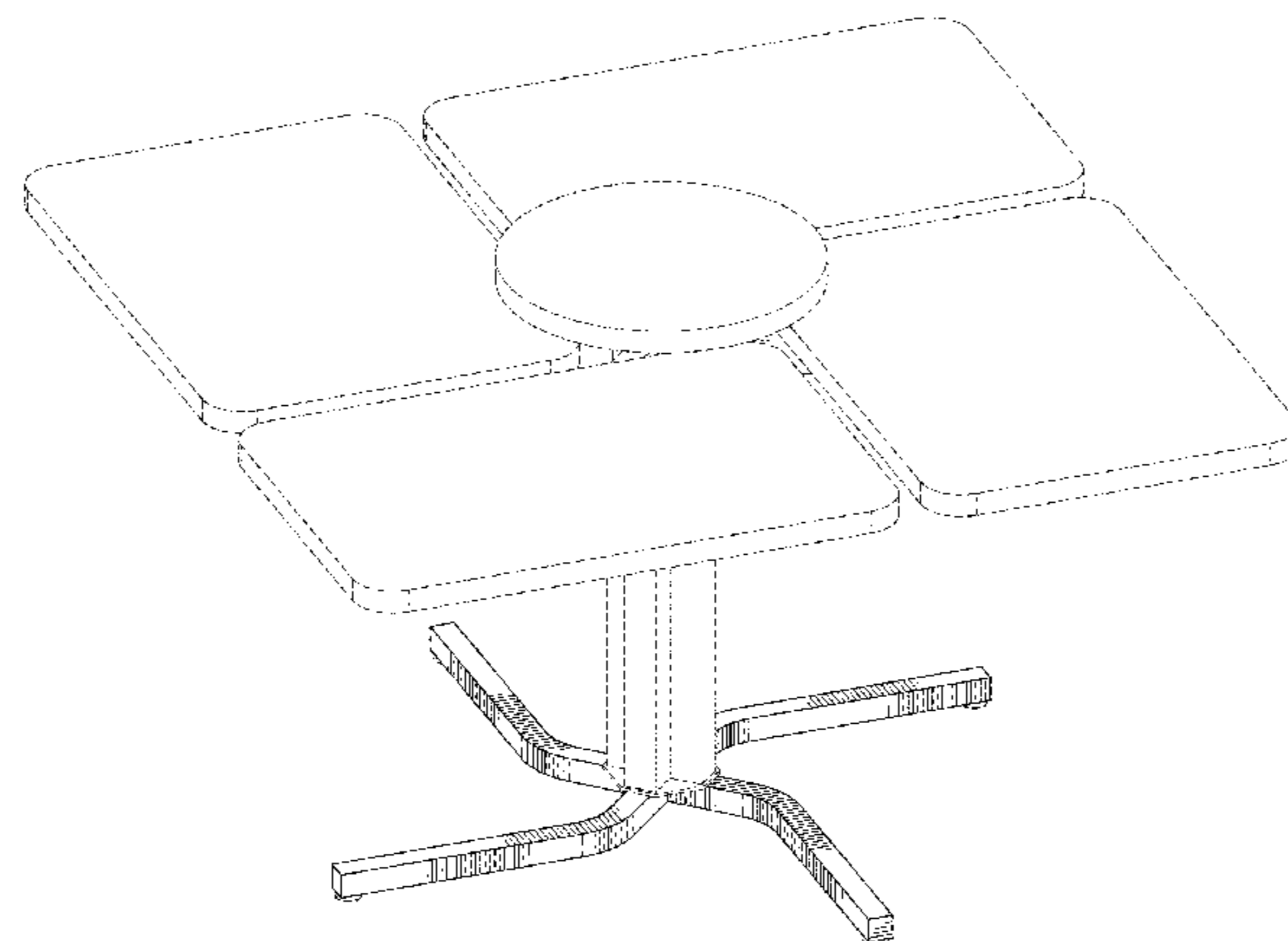
(57) **CLAIM**

The ornamental design for a table base, as shown and described.

DESCRIPTION

FIG. 1 is a perspective view of a table base of my new design, with environment shown in broken line and forming no part of the claimed design;
 FIG. 2 is a top view thereof;
 FIG. 3 is a side view thereof; and,
 FIG. 4 is a bottom view thereof.
 The broken lines form no part of the claimed design.

1 Claim, 4 Drawing Sheets



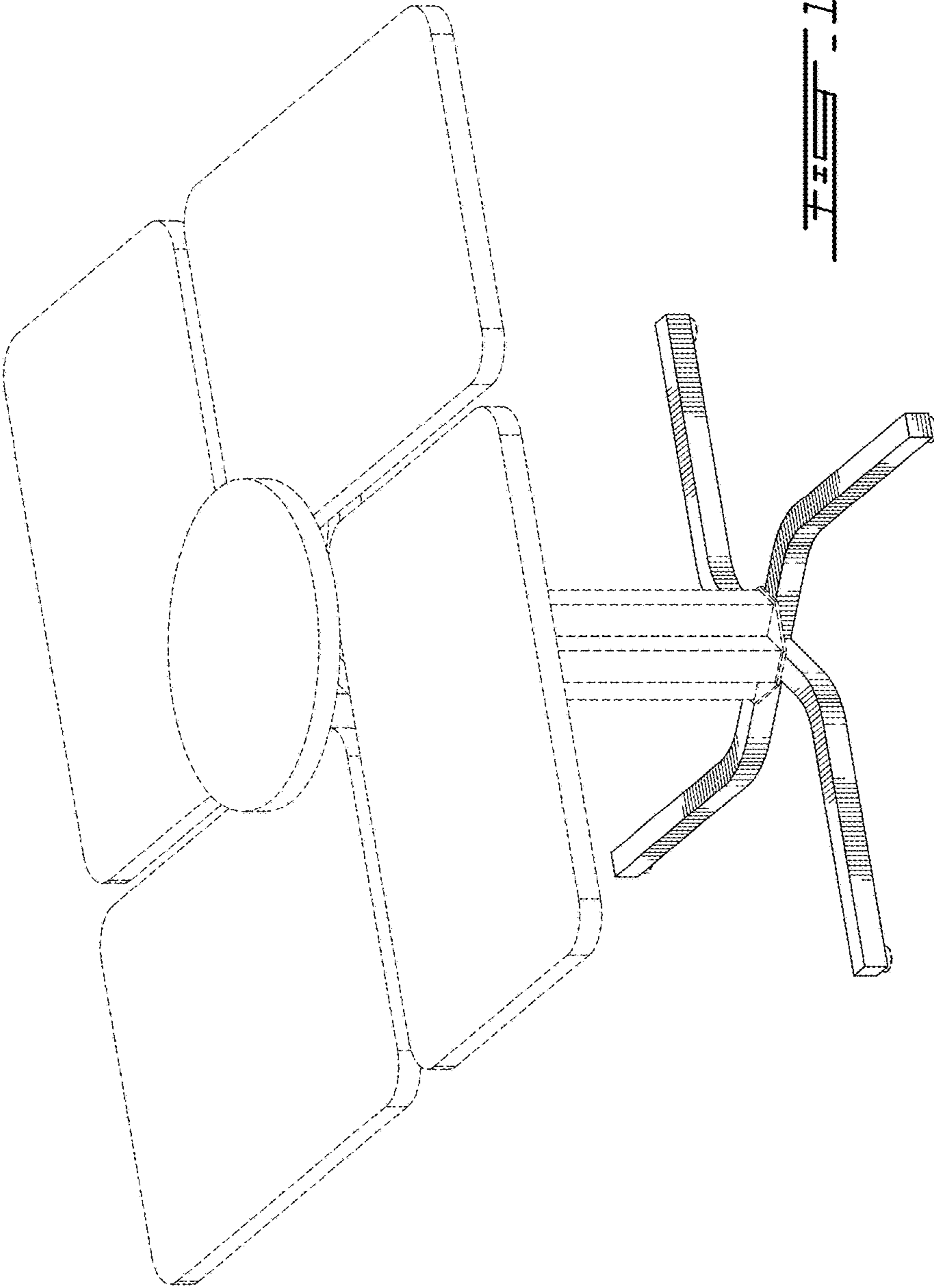


FIG. 1

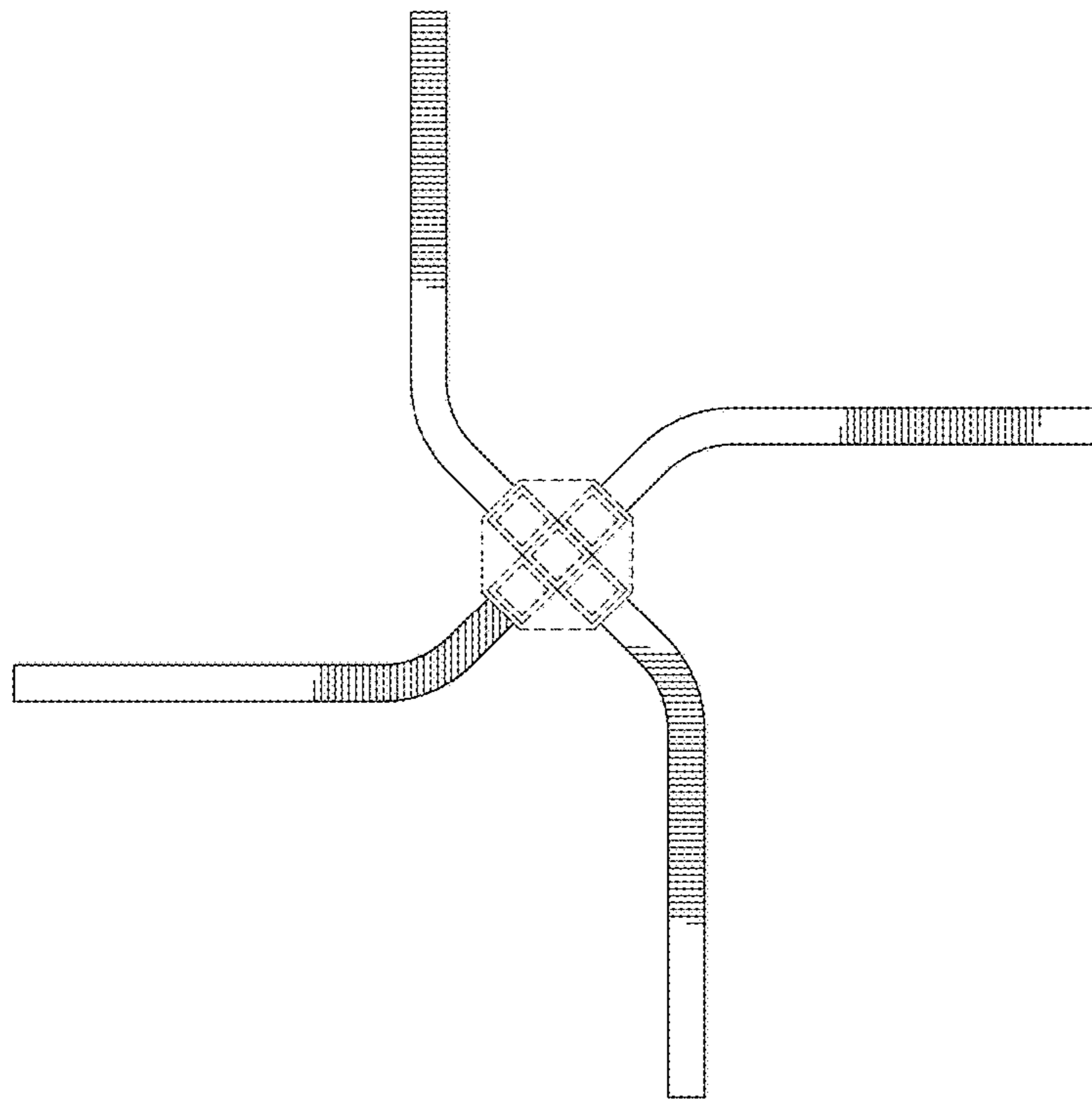


FIG. 2

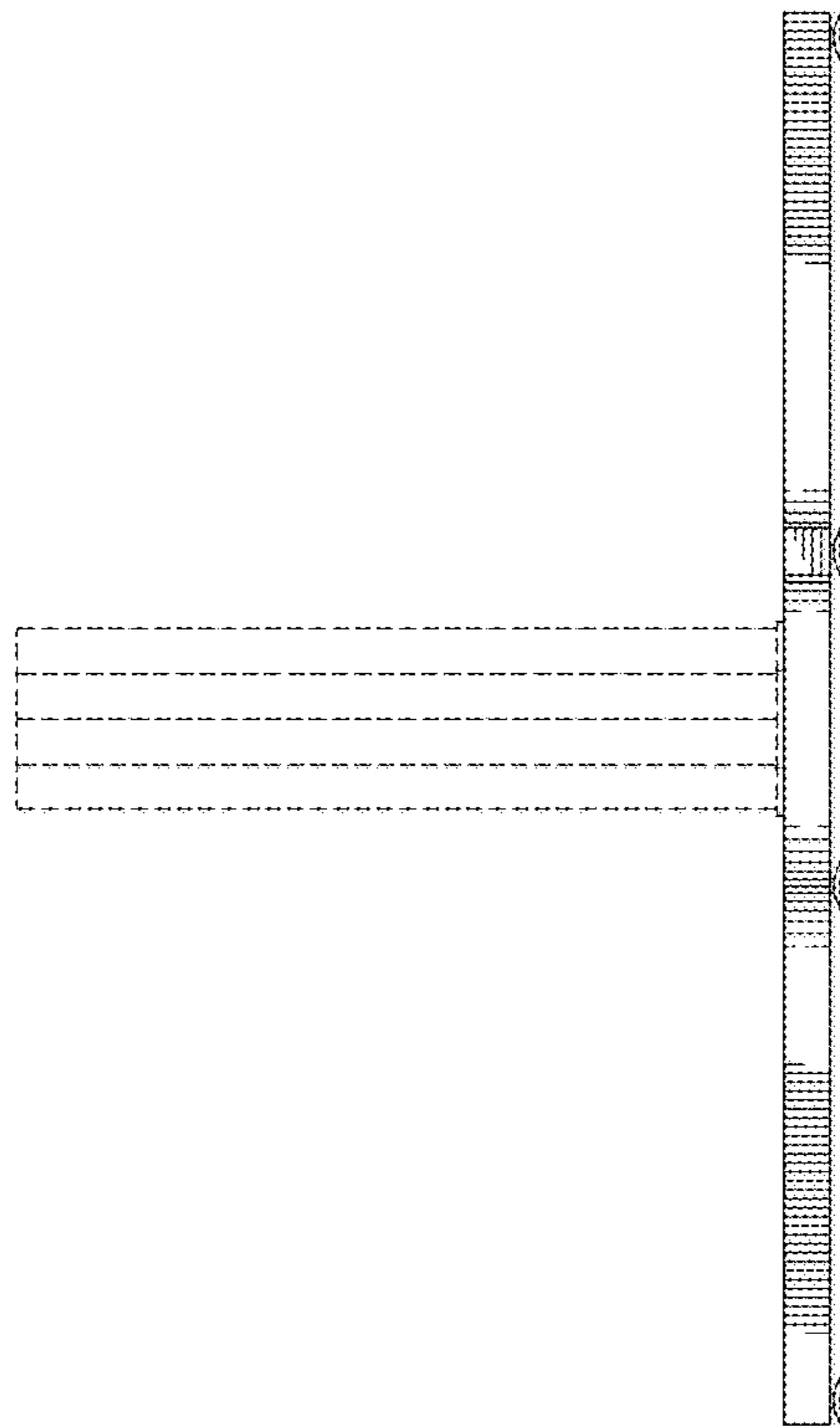


FIG. 3

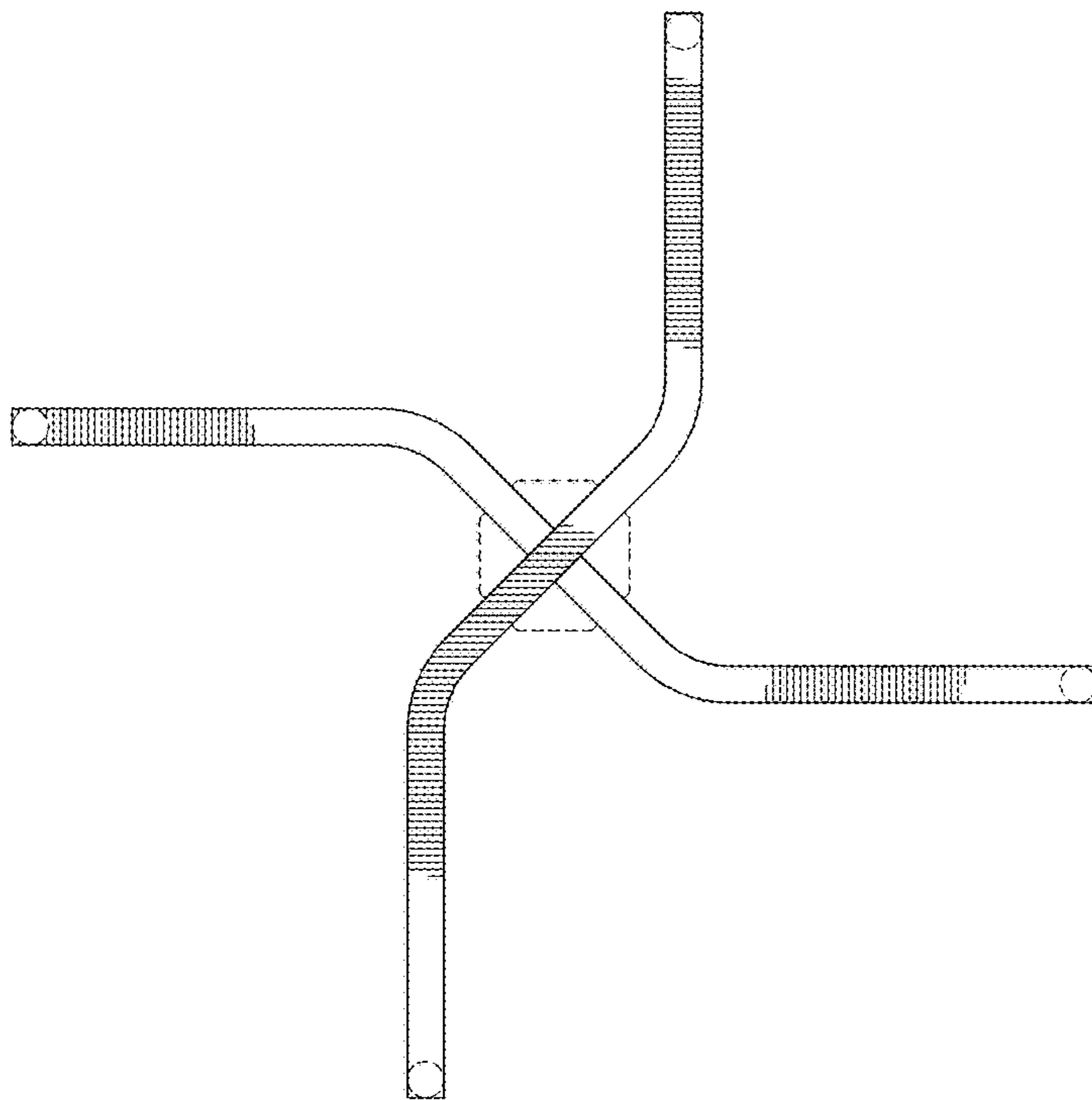


FIG. 4